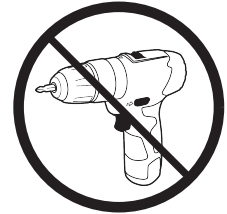
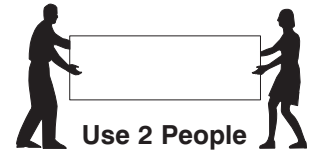
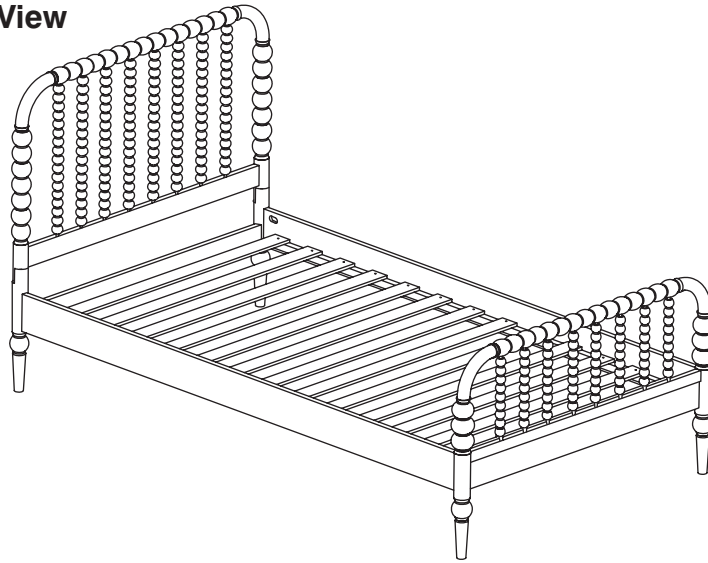


# 0110-4 Twin Bed

## Assembly Instructions

WI-0524

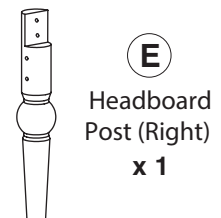
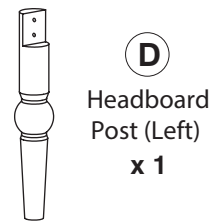
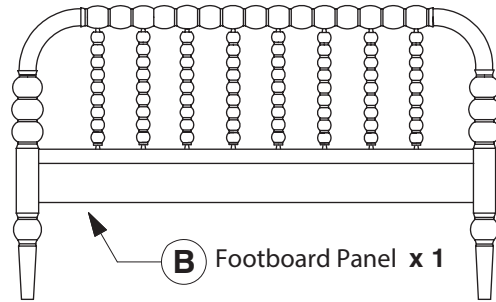
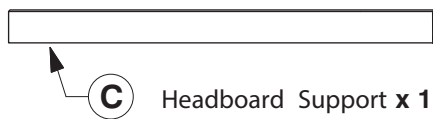
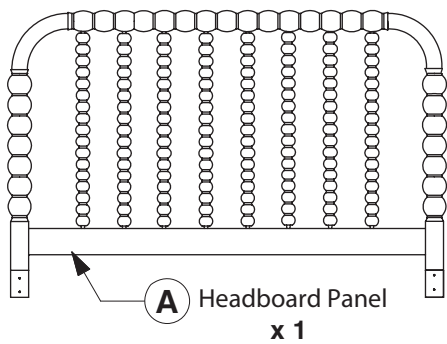
### 1 Assembled View



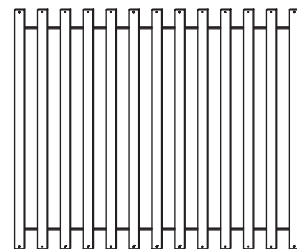
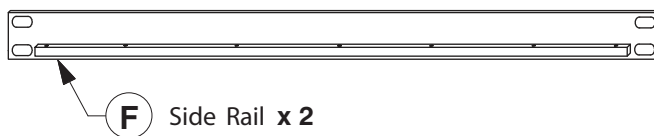
**Note:** Do not assemble using power tools. This can cause the bolts to be overtightened

### 2

#### Parts in Box A:



#### Parts in Box B:



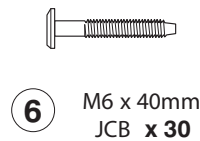
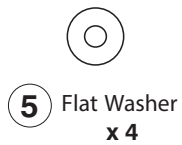
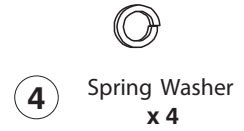
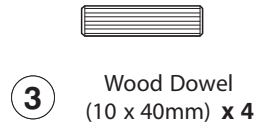
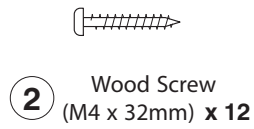
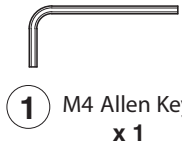
**G** Set of Bed Slats x 1

# 0110-4 Twin Bed

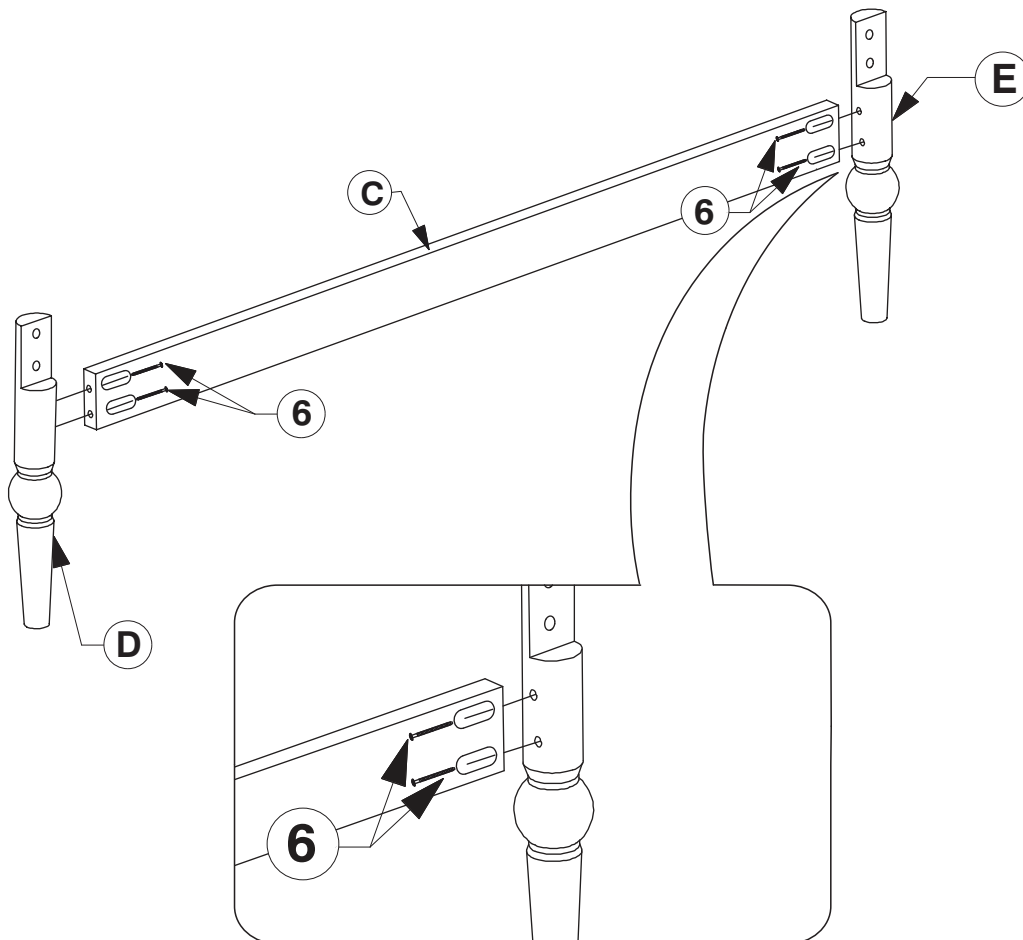
## Assembly Instructions

WI-0524

### 3 Hardware List



### 4 Assembled the Headboard Post (D & E) to the Headboard Support (C).

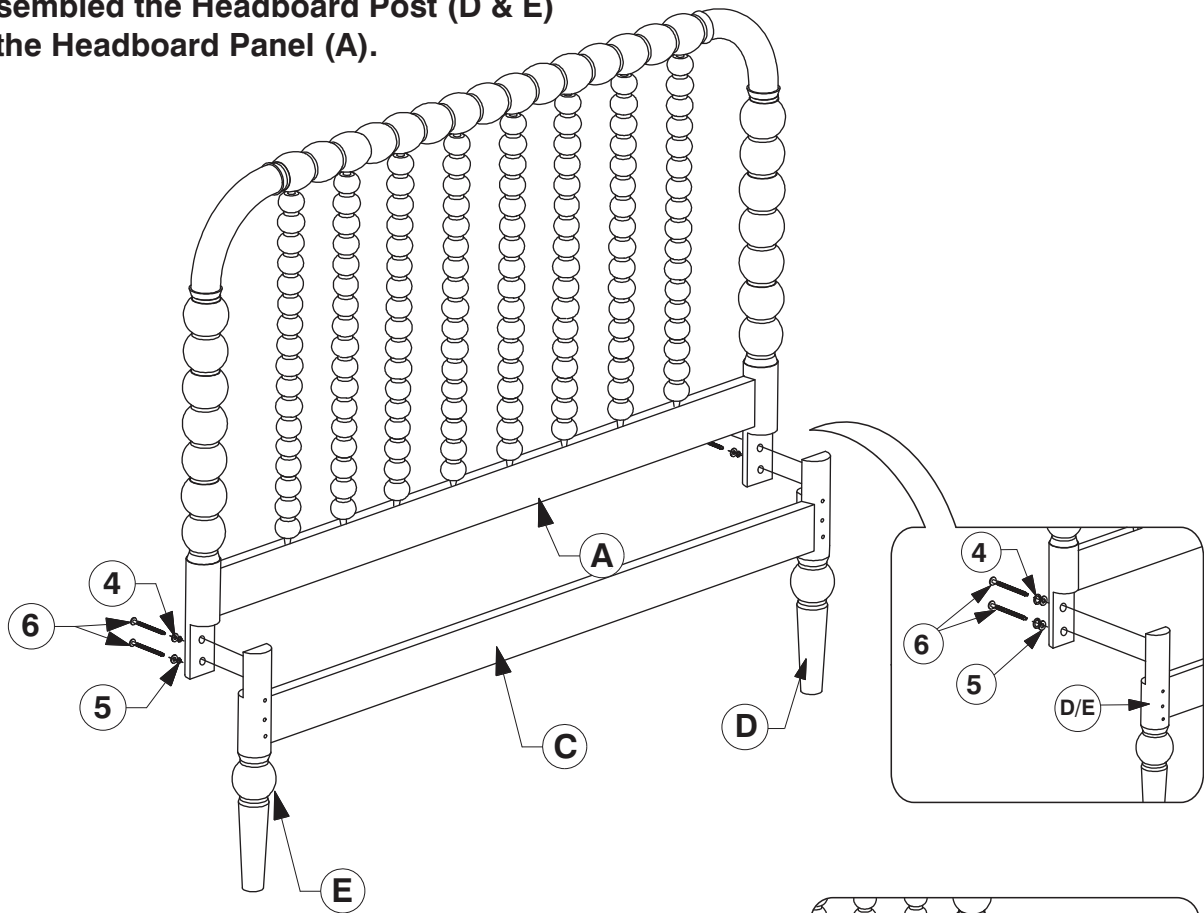


# 0110-4 Twin Bed

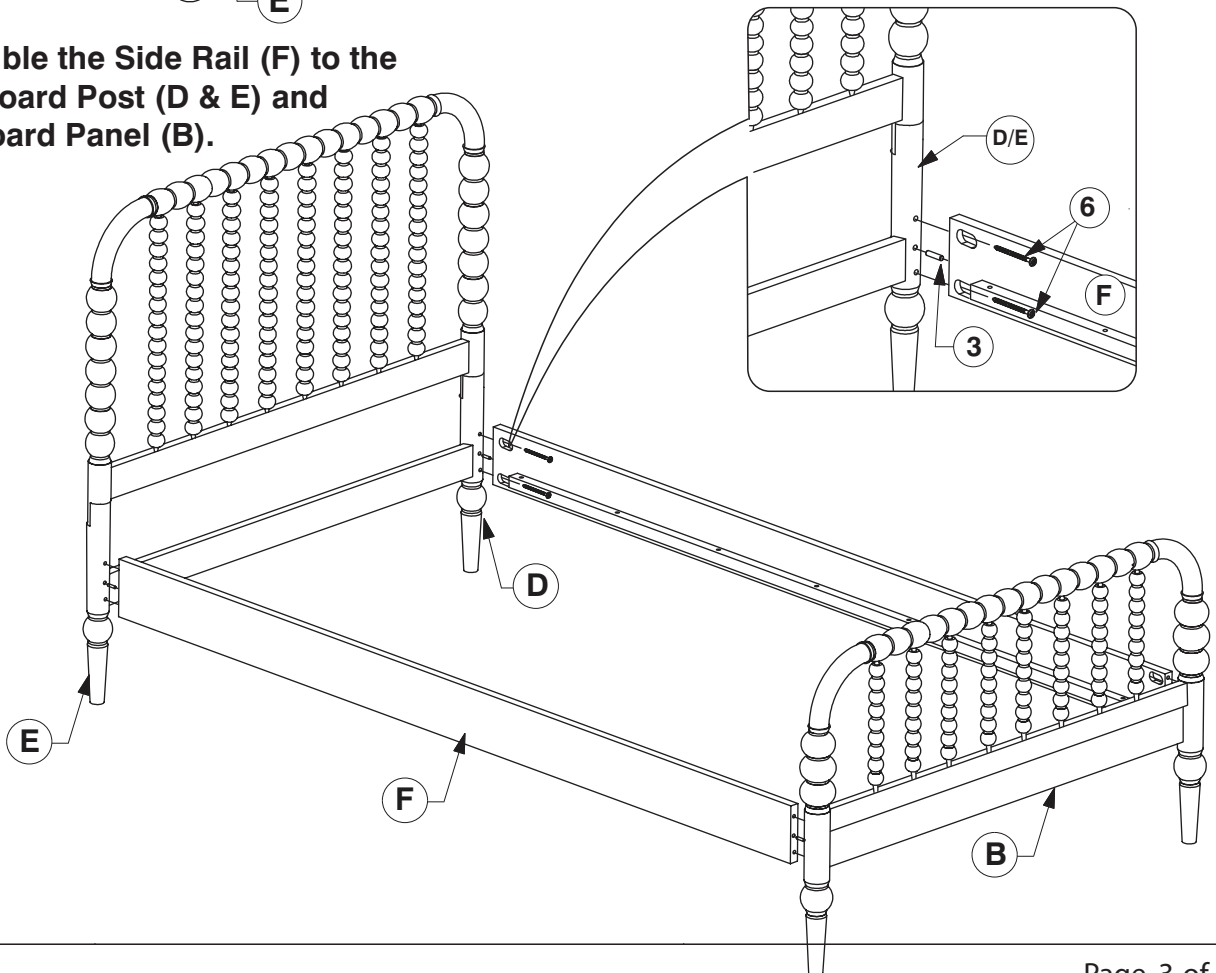
## Assembly Instructions

WI-0524

- 5** Assembled the Headboard Post (D & E) to the Headboard Panel (A).



- 6** Assemble the Side Rail (F) to the Headboard Post (D & E) and Footboard Panel (B).

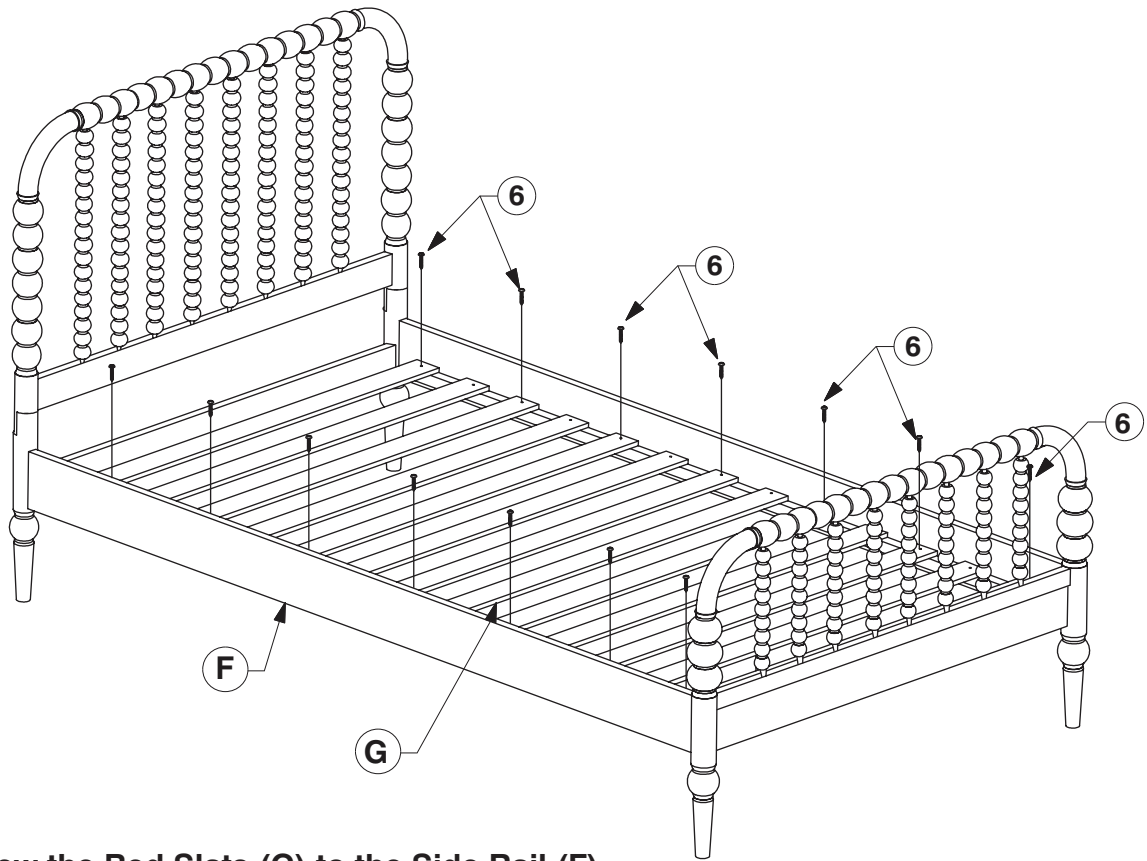


# 0110-4 Twin Bed

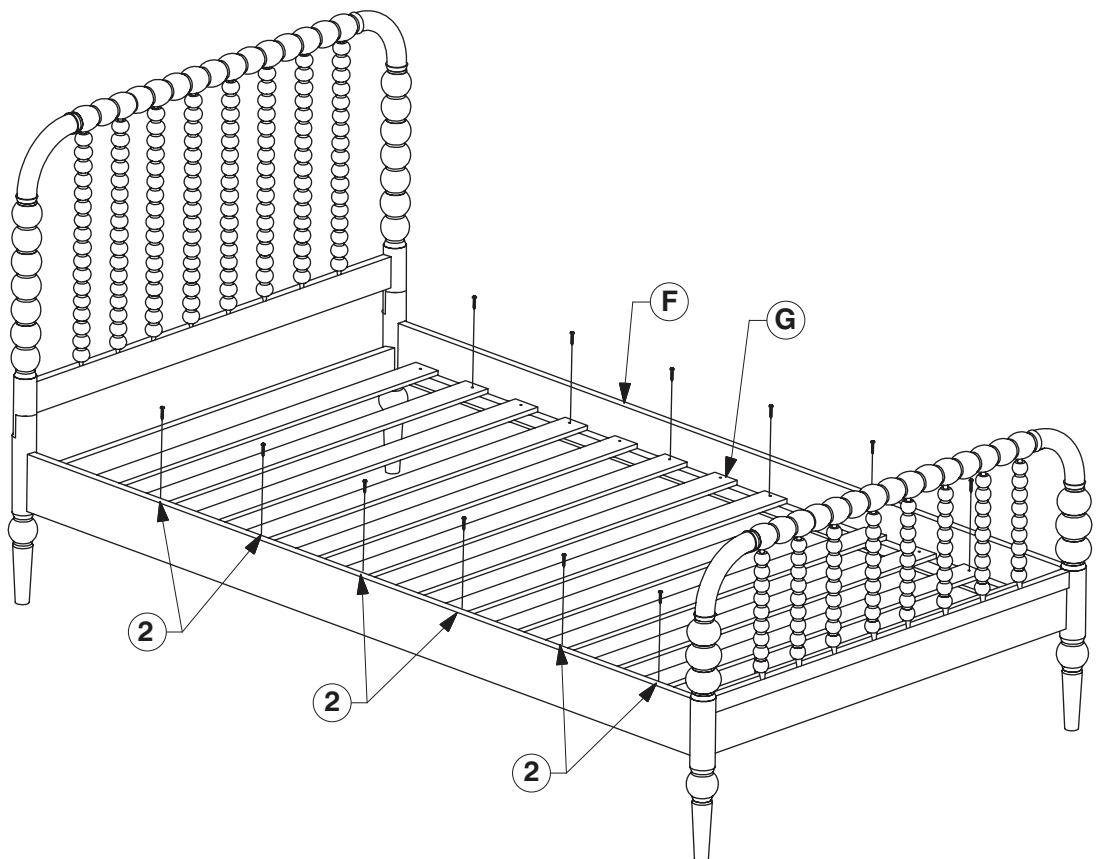
## Assembly Instructions

WI-0524

- 7 Bolt the Bed Slats (G) to the Side Rail (F).**



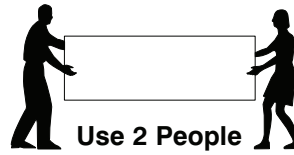
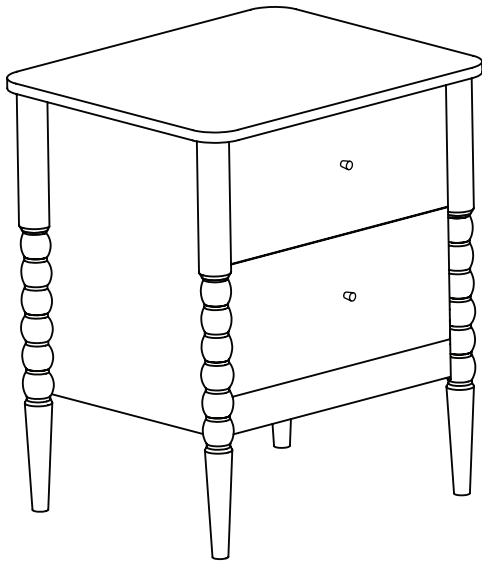
- 8 Screw the Bed Slats (G) to the Side Rail (F).**



# 9011 2 Drawer Nightstand

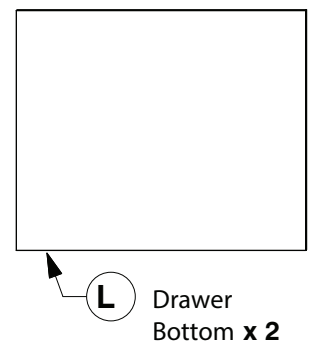
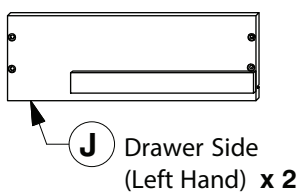
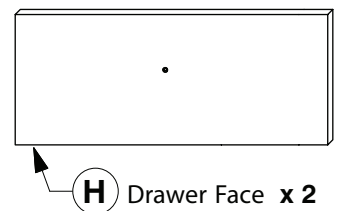
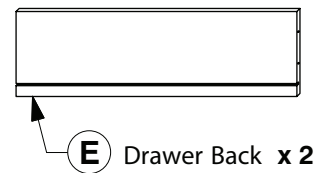
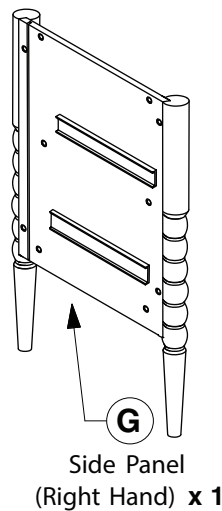
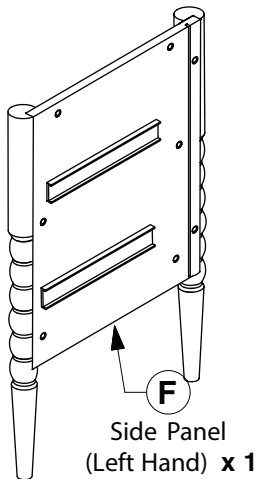
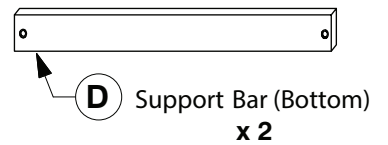
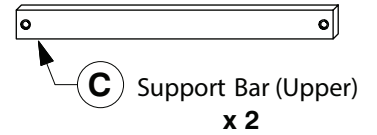
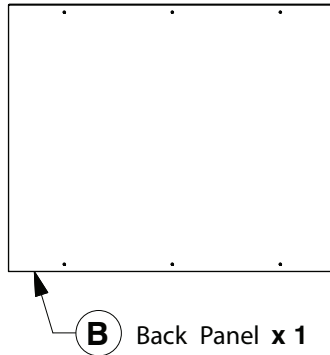
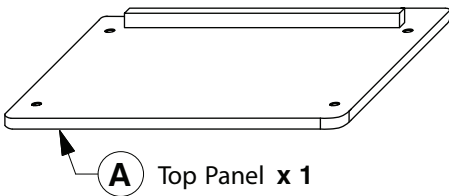
## Assembly Instructions

WI-0724



**Note:** Do not assemble using power tools. This can cause the bolts to be overtightened

### 1 Parts List


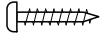
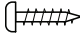
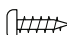

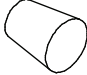
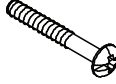



# 9011 2 Drawer Nightstand

## Assembly Instructions

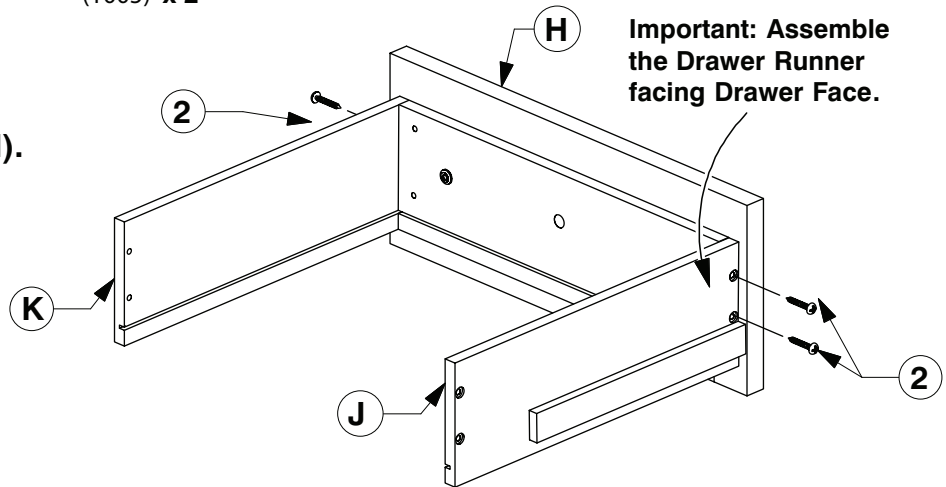
WI-0924

### 2 Hardware List

- |  |  |   |   |
|--|--|---|---|
| <br><b>1</b> M6 x 15mm<br>JCB x 24        | <br><b>2</b> M4 x 25mm<br>Wood Screw x 16 | <br><b>3</b> M4 x 20mm<br>Wood Screw x 8 | <br><b>4</b> M4 x 16mm<br>Wood Screw x 6 |
| <br><b>5</b> 'L' Bracket<br>(5005-3) x 12 | <br><b>6</b> Handle<br>(1005) x 2         | <br><b>7</b> M4 x 20mm<br>Wood Screw x 2 | <br><b>8</b> Allen Key<br>x 1            |

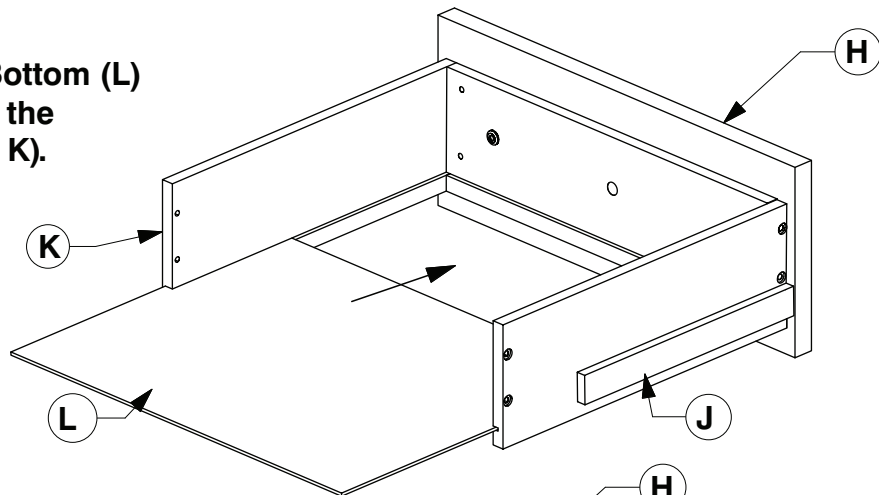
### 3 Assemble the Drawer Sides (J & K) to the Drawer Face (H).

x2



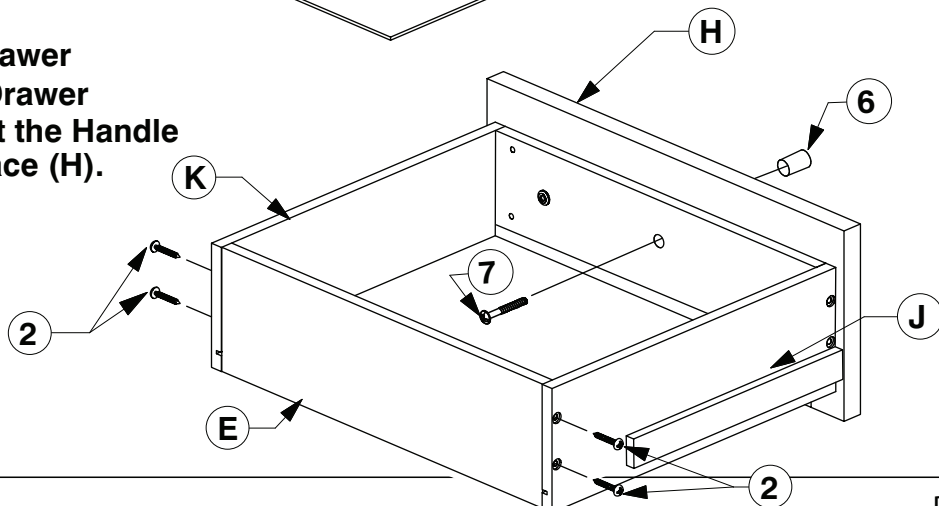
### 4 Slide the Drawer Bottom (L) into the groove on the Drawer Sides (J & K).

x2



### 5 Assemble the Drawer Back (E) to the Drawer Sides (J & K). Fit the Handle to the Drawer Face (H).

x2

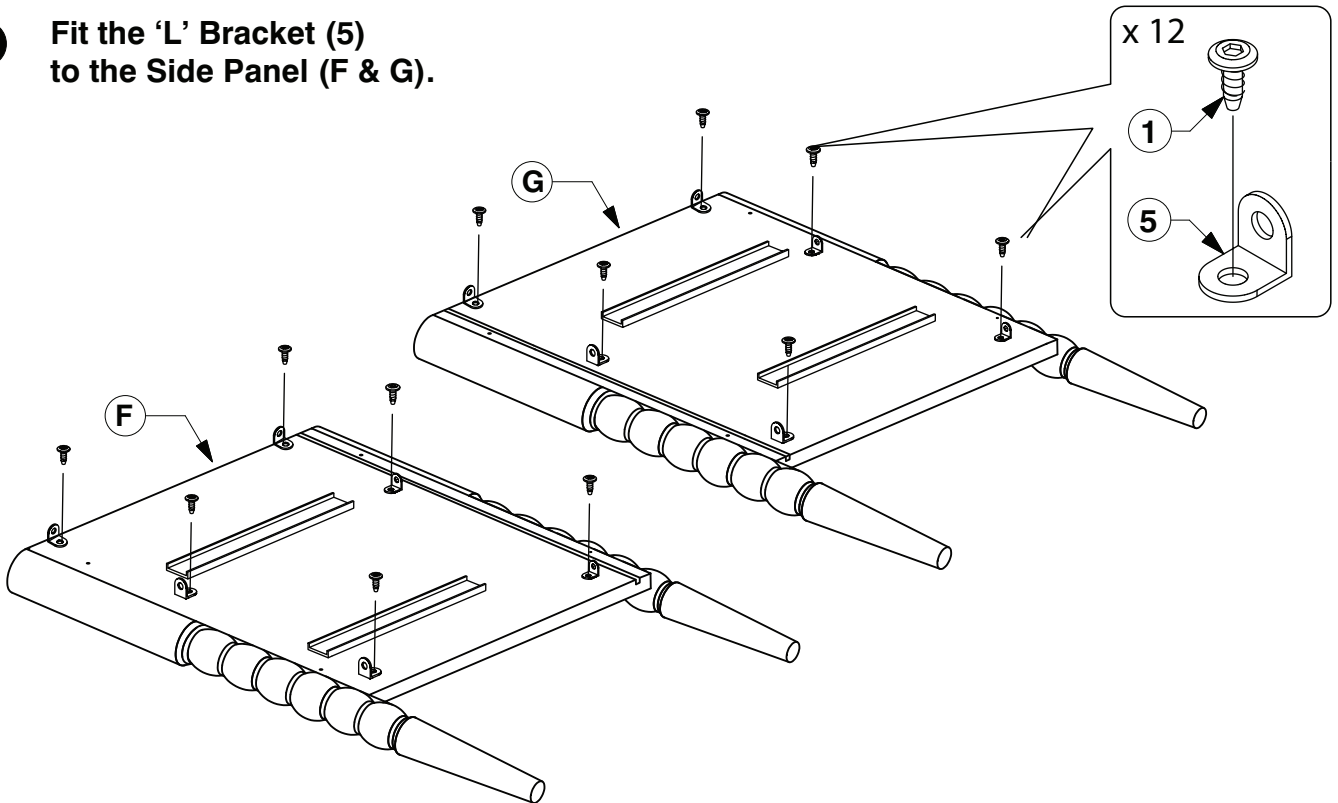


# 9011 2 Drawer Nightstand

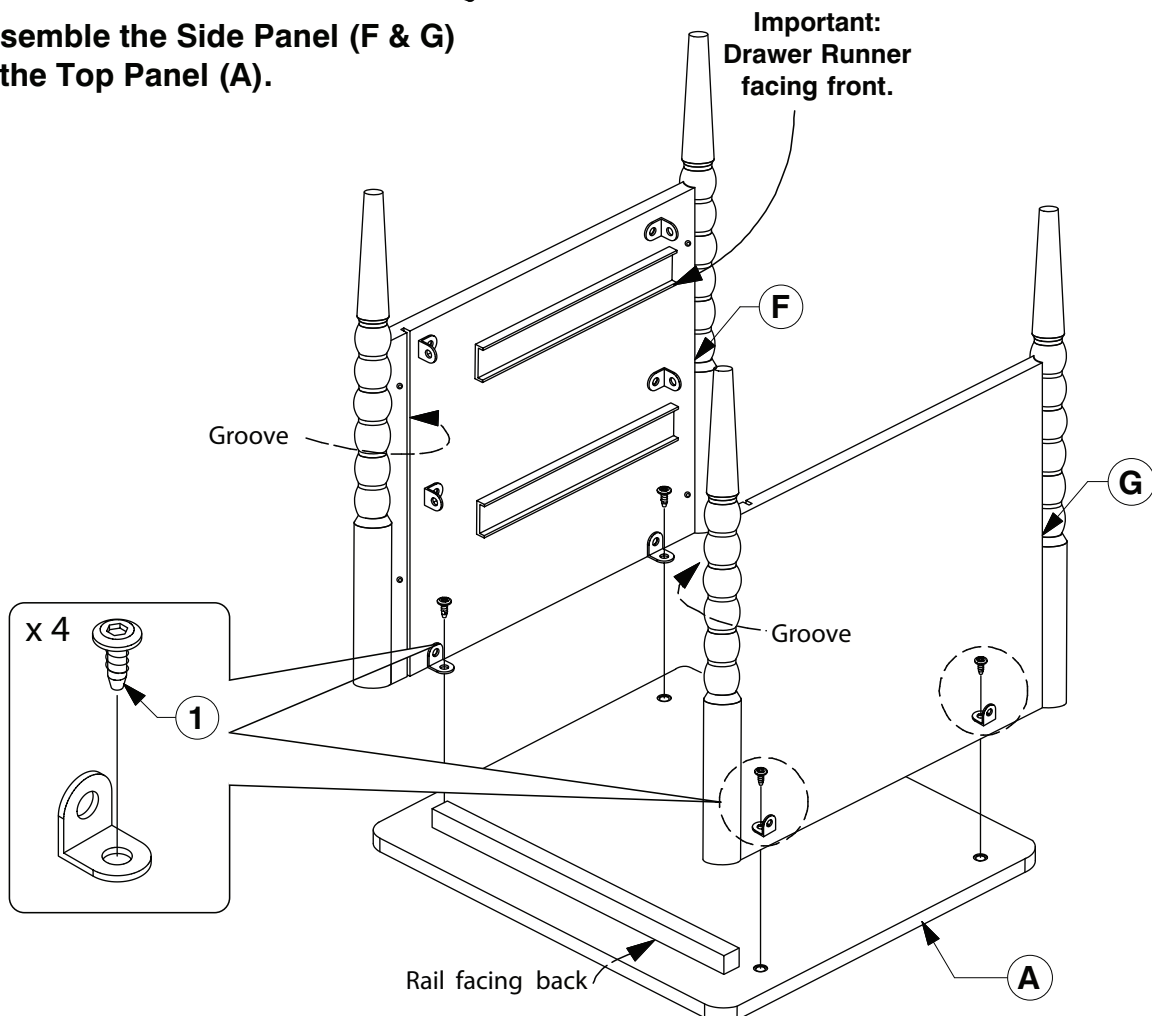
## Assembly Instructions

WI-0724

- 6** Fit the 'L' Bracket (5) to the Side Panel (F & G).



- 7** Assemble the Side Panel (F & G) to the Top Panel (A).

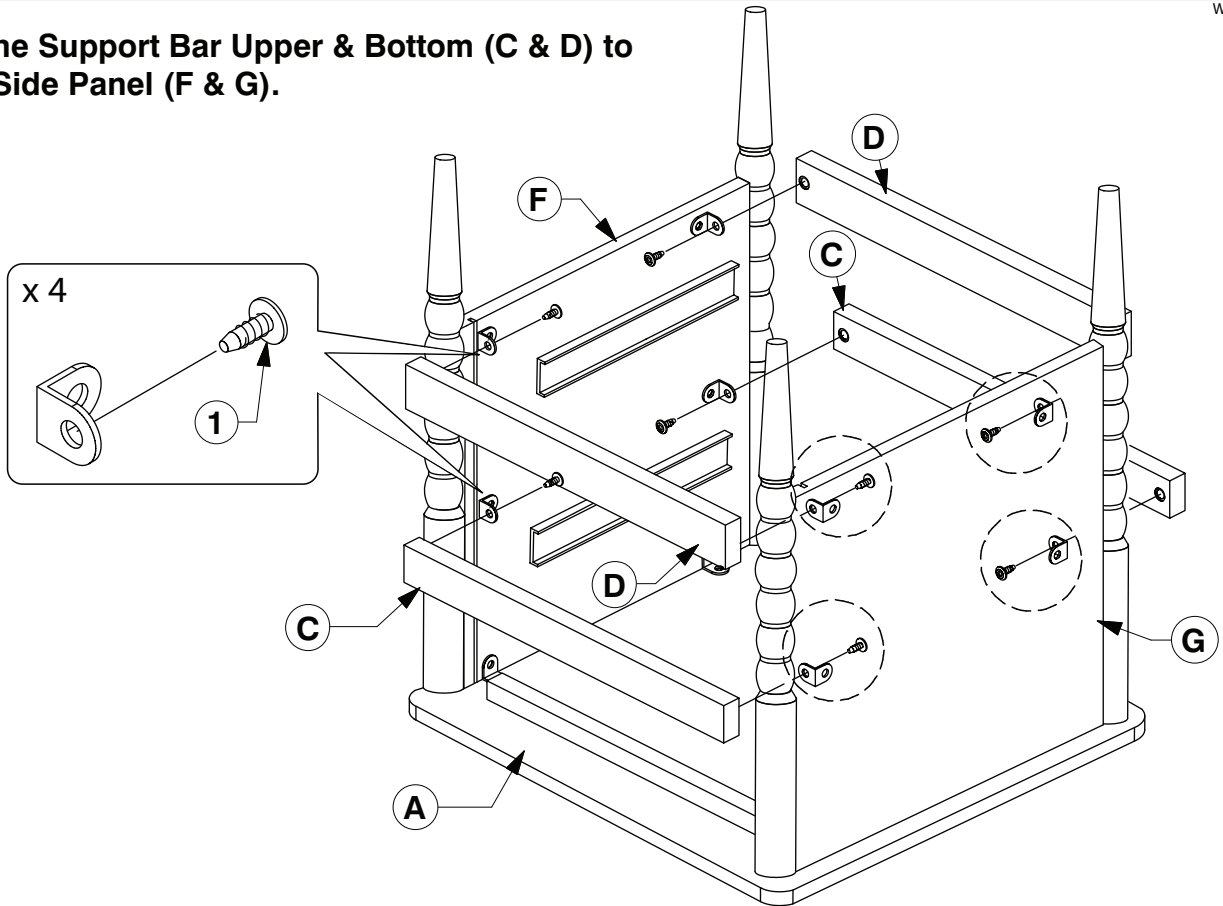


# 9011 2 Drawer Nightstand

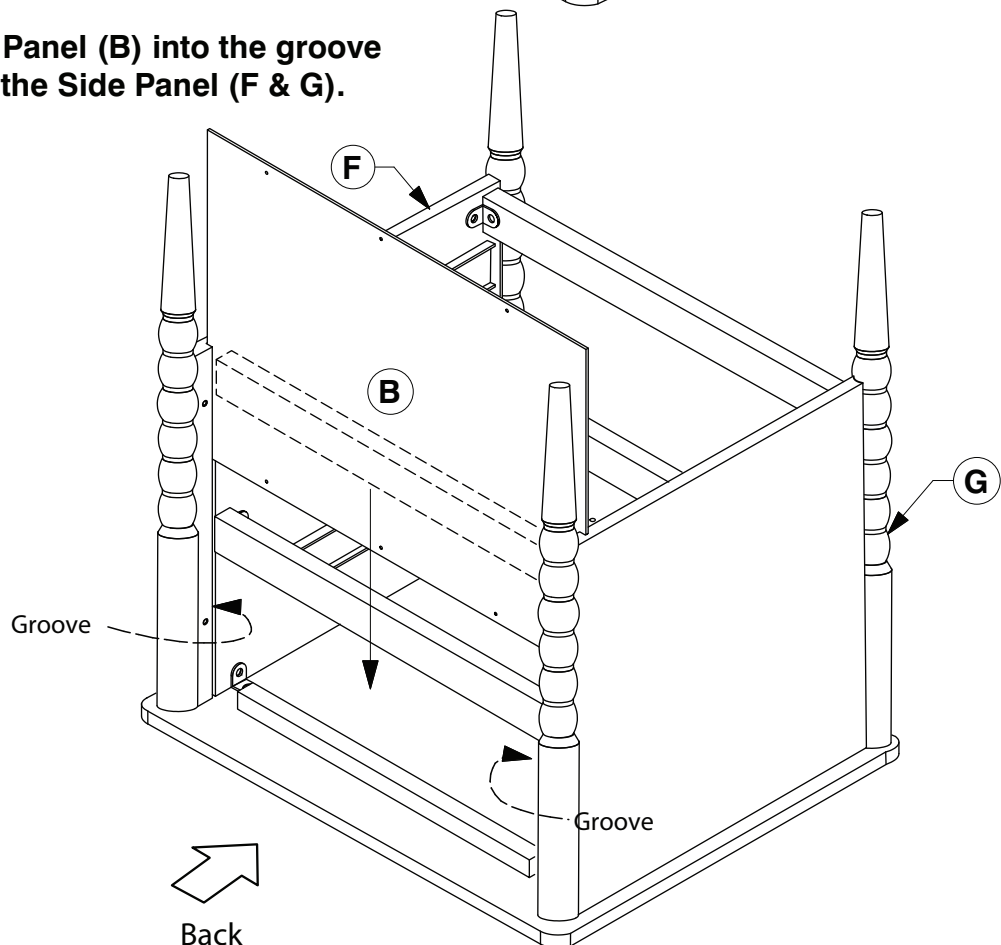
## Assembly Instructions

WI-0724

- 8** Fit the Support Bar Upper & Bottom (C & D) to the Side Panel (F & G).



- 9** Slide the Back Panel (B) into the groove on the back of the Side Panel (F & G).

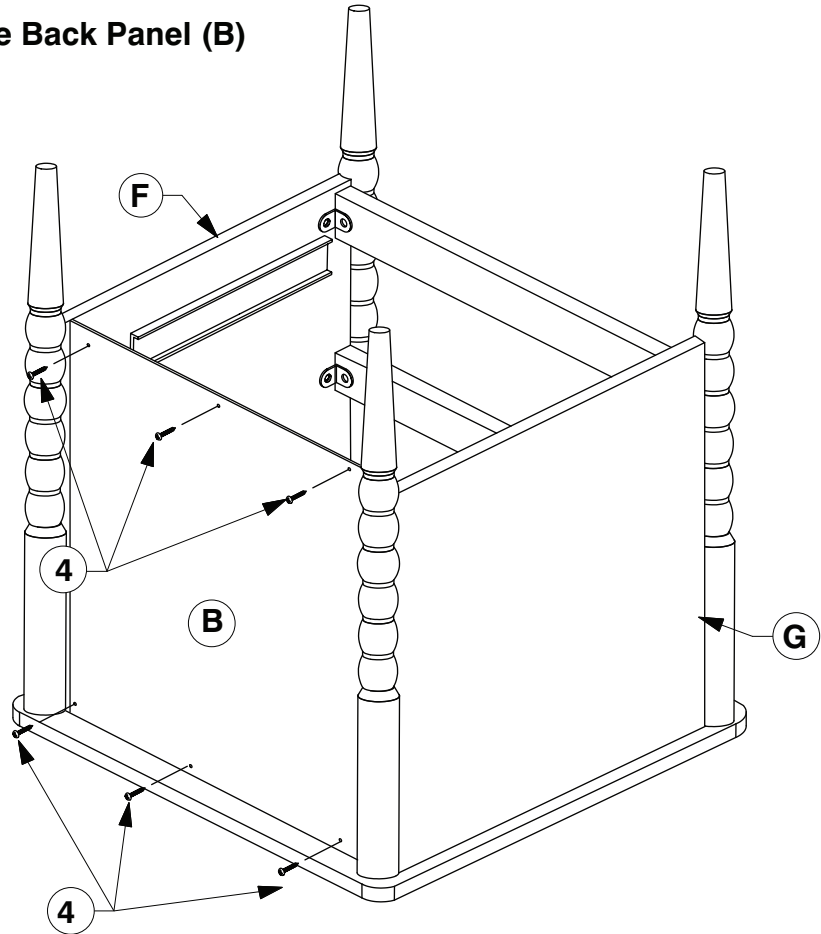


# 9011 2 Drawer Nightstand

## Assembly Instructions

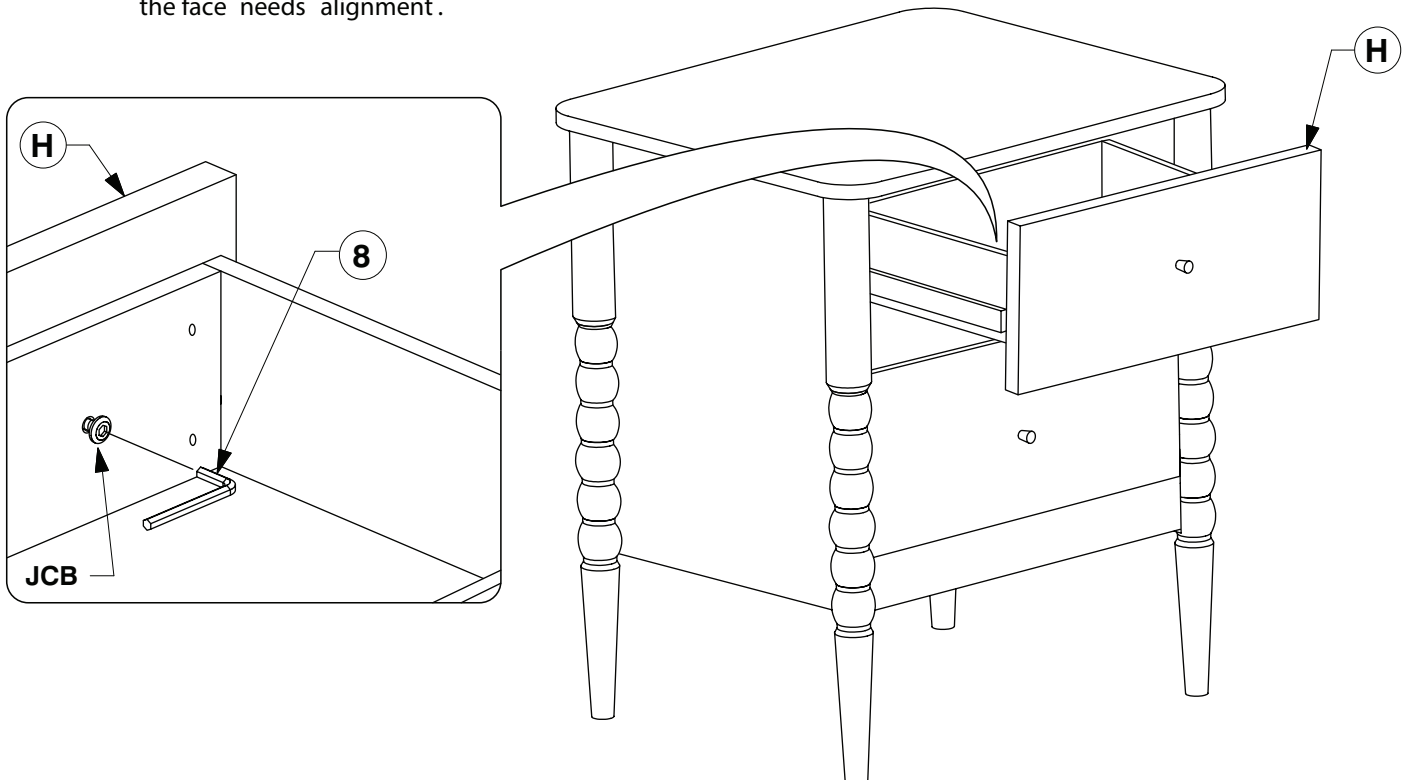
WI-0724

- 10** Use Screw to tighten the Back Panel (B) to the back of frame.



- 11** Fit and adjust the Drawer Face (H).

\* NOTE: Before fitting the Wood Screws .  
Losen the JCBs on the Drawer Face if the face needs alignment.



# 9011 2 Drawer Nightstand

## Assembly Instructions

WI-0924

**12** After the Drawer Faces (H) are aligned, secure with wood screws.

