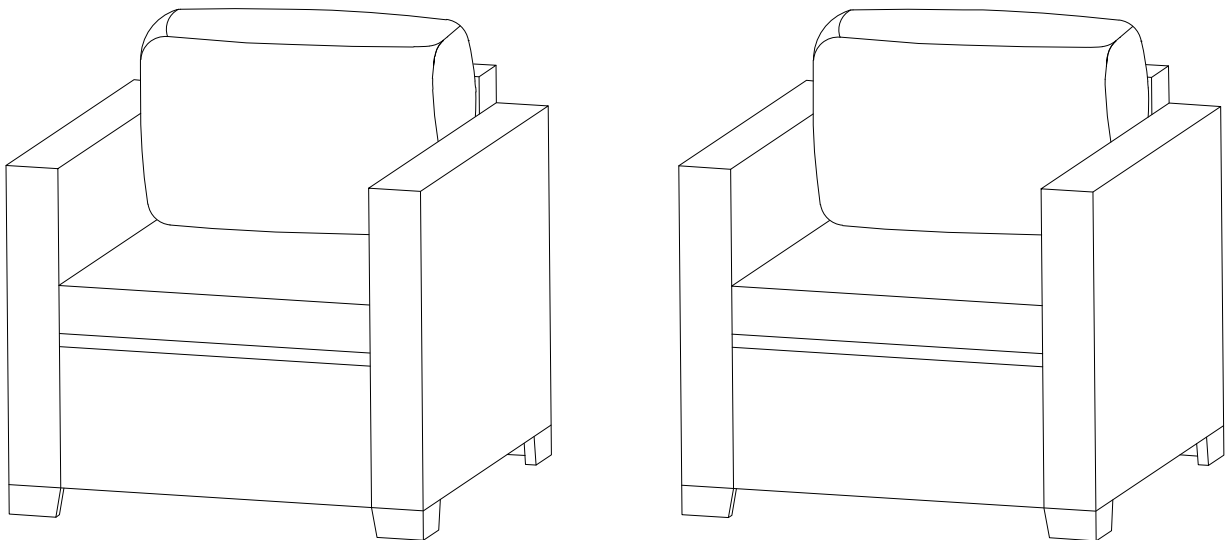
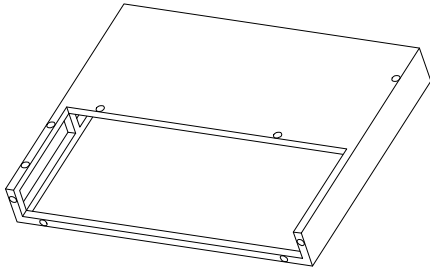


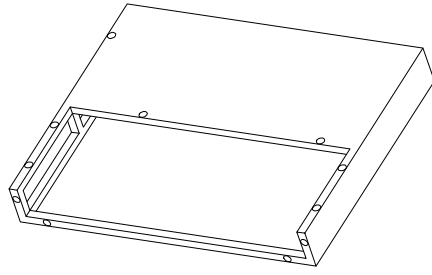
# 2 Single Chairs



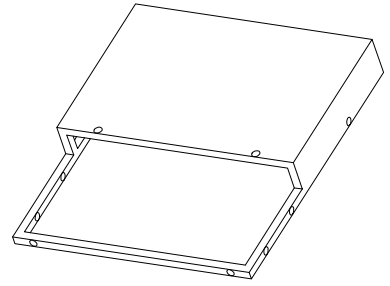
- a. Opening, please check the parts, any defect or missing, contact us in time.
- b. Cushion inserts and covers, furniture covers are usually placed in the gap in the armrests or backrests. Pay attention to check!
- c. Advisable to assemble on the mat to avoid wear and tear. Avoid all sharp objects touching the product surface. Do not allow the children to play around.
- d. Do not tighten all screws entirely until assemble is completed. Power tools are available, don't over-tighten for strip threads.
- e. If the cushion covers crease, maybe you can try soaking with warm water or ironing!
- f. Assembly video available, any problems assembling, contact us in time!



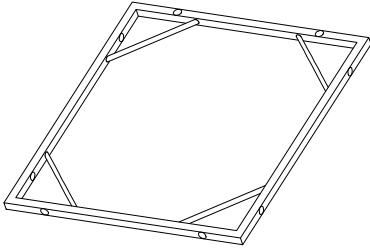
A: right sofa arm  
2 pcs



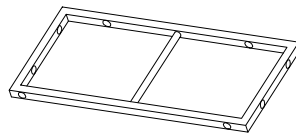
B: left sofa arm  
2 pcs



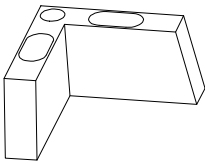
C: sofa back  
2 pcs



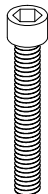
D: sofa seat board  
2 pcs



E: sofa front screen  
2 pcs



F: sofa foot  
8 pcs



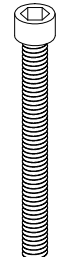
R: screw M6\*35mm  
4 pcs



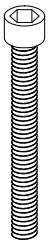
S: shim ø16\*6.4\*1  
68 pcs



T: nut M6  
32 pcs



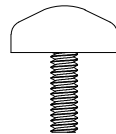
W: screw M6\*50mm  
32 pcs



X: screw M6\*45mm  
16 pcs



Y: shim ø11\*6.2\*1  
16 pcs



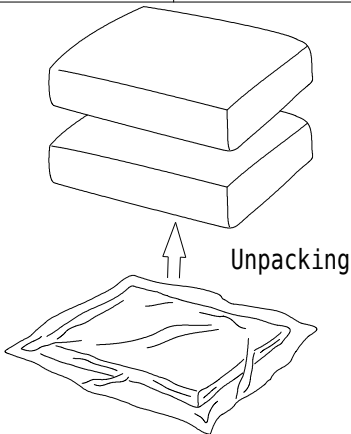
Z: adjustable screw  
8 pcs



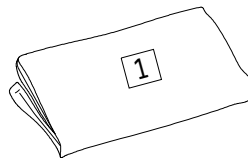
Inner hexagon spanner  
1 pcs



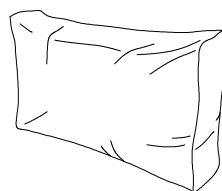
open spanner  
1 pcs



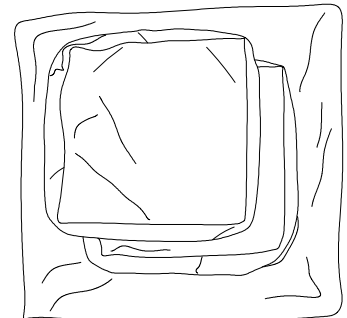
seat cushion insert  
2 pcs



furniture cover for chair  
2 pcs(1 pcs/bag)



back cushion  
2 pcs



seat cushion cover  
2 pcs

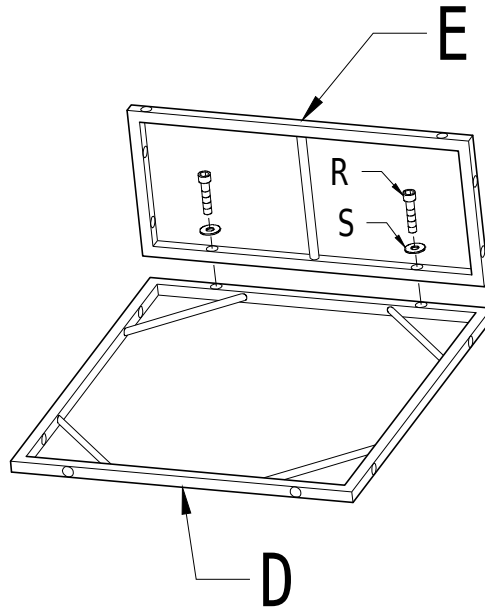
# Step 1

D x 2, E x 2



R: screw M6\*35mm  
4 pcs

S: shim  
ø16\*6.4\*1 4 pcs



2x

# Step 2

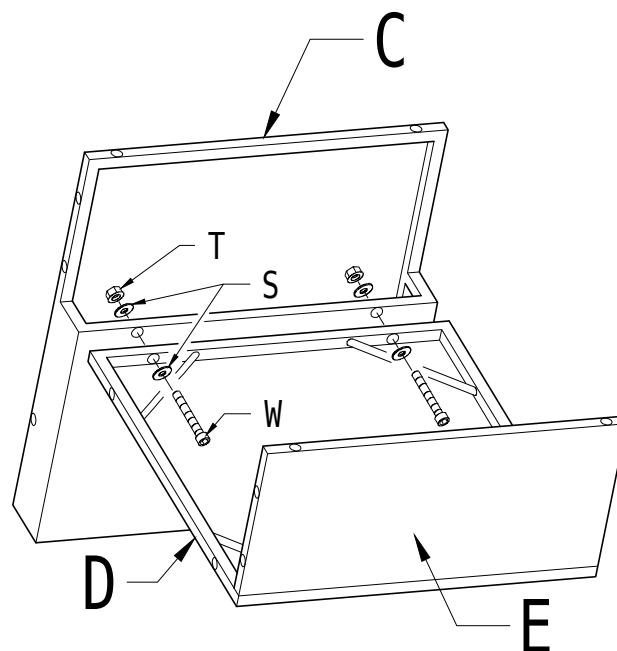
C x 2



S: shim  
ø16\*6.4\*1 8 pcs

T: nut M6  
4 pcs




W: screw M6\*50mm  
4 pcs

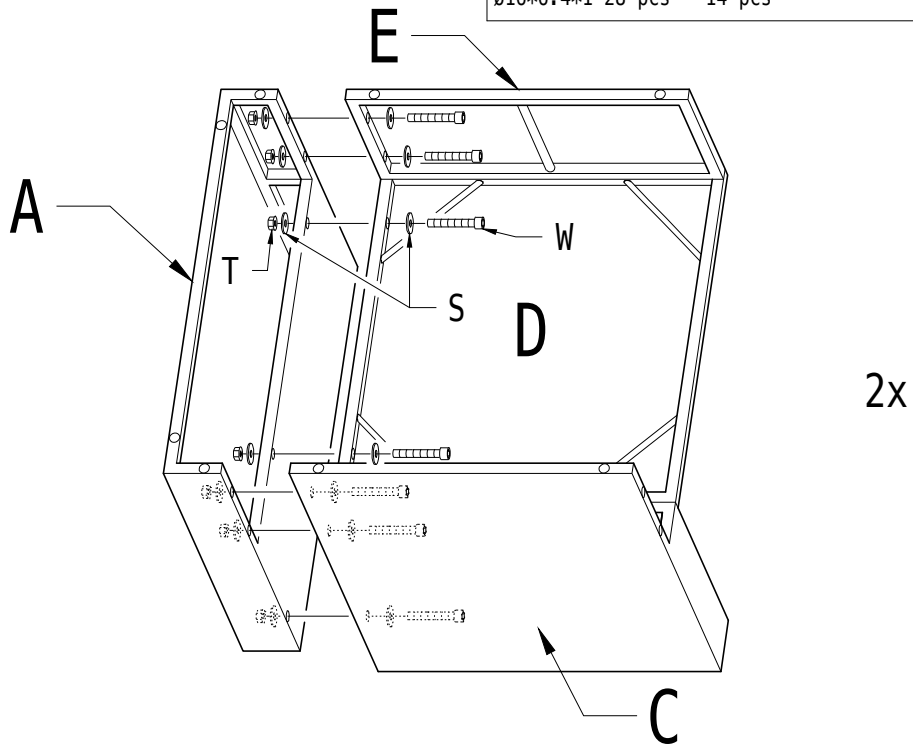


2x

# Step 3

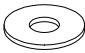


A x 2

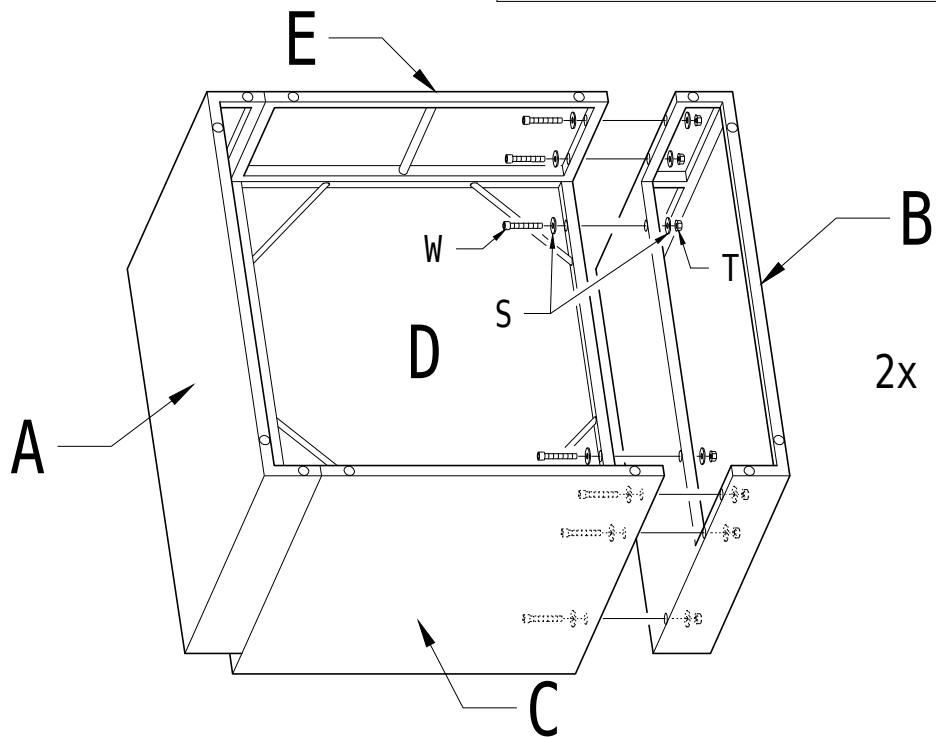
		
S: shim ø16*6.4*1 28 pcs	T: nut M6 14 pcs	W: screw M6*50mm 14 pcs



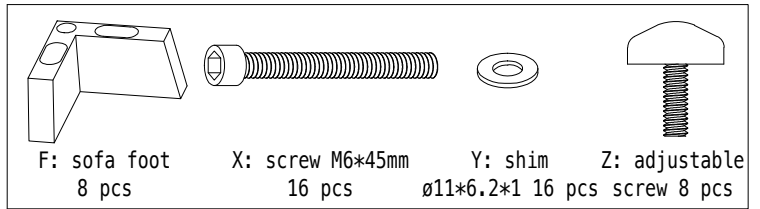
# Step 4

B x 2

		
S: shim ø16*6.4*1 28 pcs	T: nut M6 14 pcs	W: screw M6*50mm 14 pcs



# Step 5



F: sofa foot 8 pcs      X: screw M6\*45mm 16 pcs      Y: shim ø11\*6.2\*1 16 pcs      Z: adjustable screw 8 pcs

