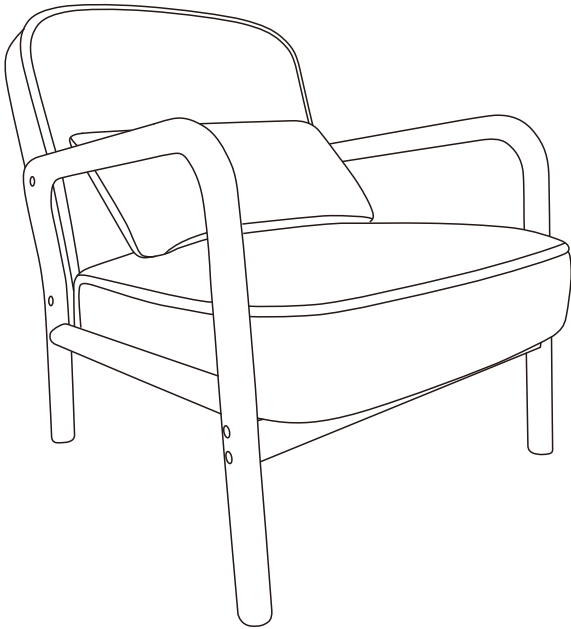
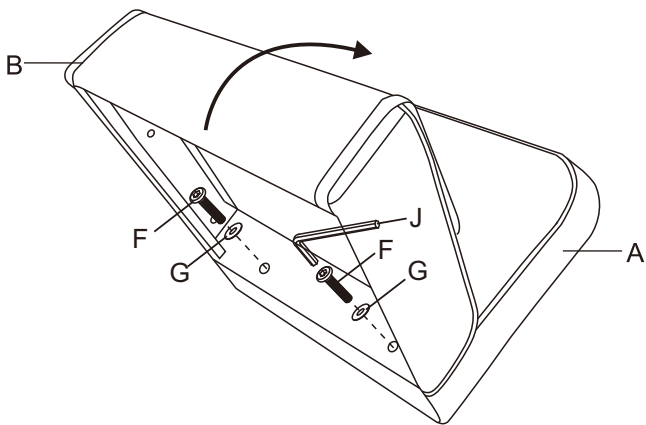


ASSEMBLY INSTRUCTIONS

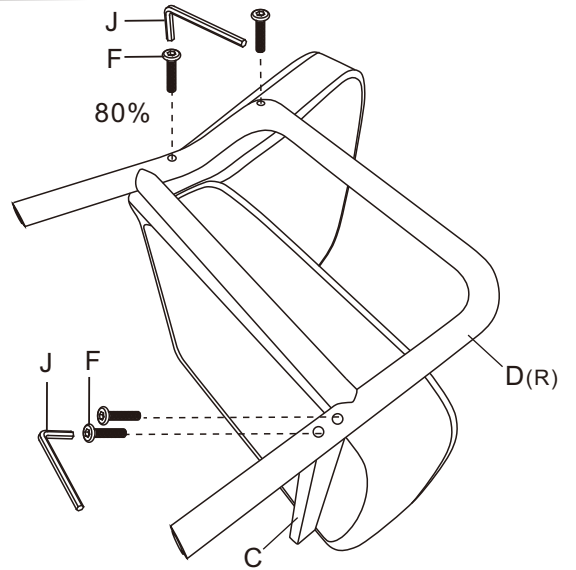


Ax1		Fx10	
Bx1		Gx2	
Cx1		Hx8	
Dx2		Ix4	
Ex1		Jx1	

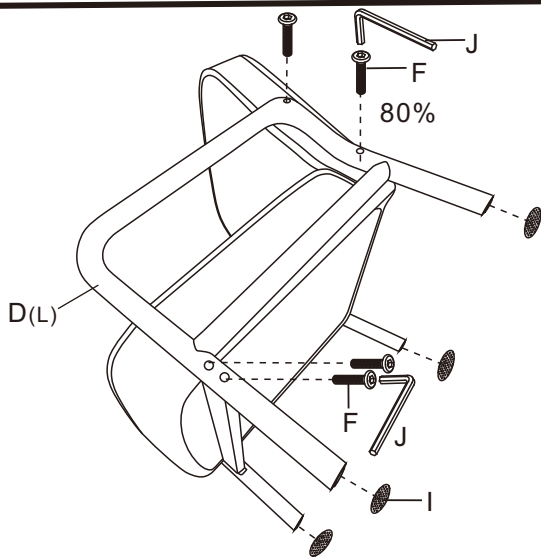
1



2



3



4

