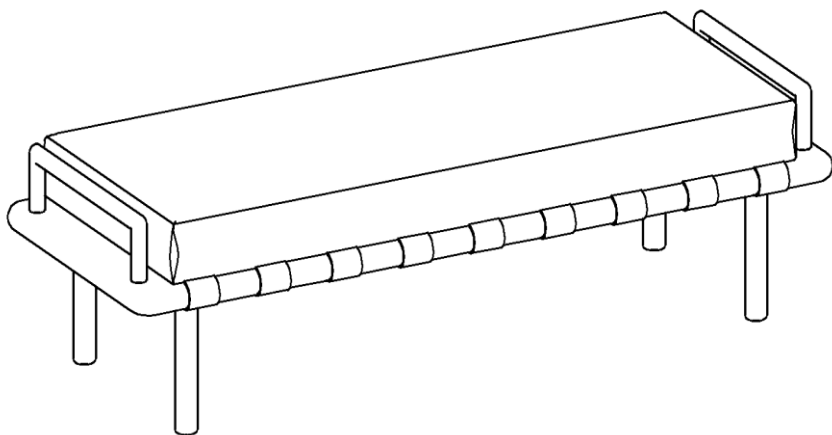


Assembly Instructions

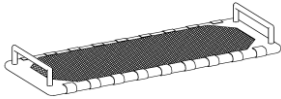


Thanks for bringing into your home

Every thing we make is incredibly simple to set up, including your new bench. You won't need any additional tools.

Parts List

A x 1
PLATFORM



B x 4
LEG



C x 1
CUSHION

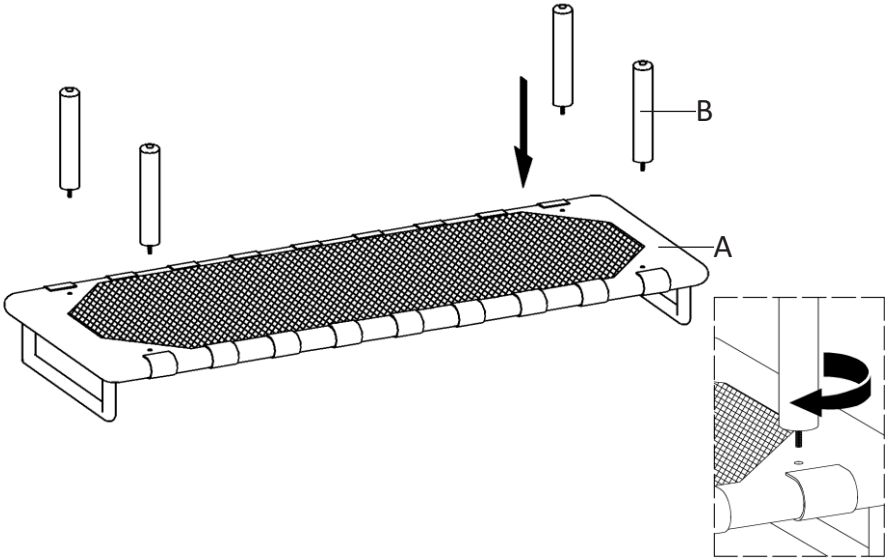


Hardware List

—

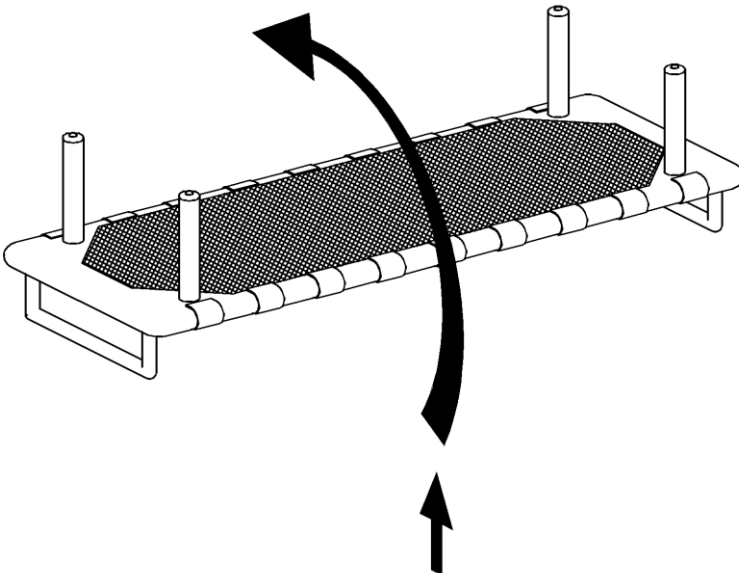
1

Place Platform (A) upside down on a clean surface. Screw tightly each Legs (B) to the Platform (A)



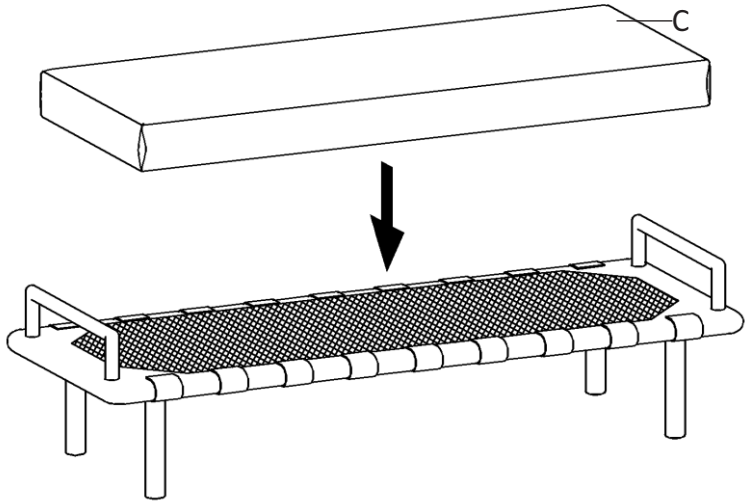
2

Raise and flip the Bench



3

Place the Cushion (C) on the Bench



4

Place the Bench in the position you use. We'd love to see it — just tag us (we're @safavieh) and use the hashtag #safavieh on Instagram!

