

Instruction

NOTE: Only the technical personnel can be allow to fix and maintain.
IMPORTANT!

Make sure that the power is switch off at the electricity mains supply before commencing work.

FIXING INSTRUCTIONS

1. Remove the mounting bracket from the fitting.
2. Carefully mark holes on the wall for fixing. Take care when drilling holes that the drill does not damage the mains supply wires. Screw the mounting bracket to the wall using the wood screws.
3. a. Firmly connect the mains supply wires to the light fitting using the terminal block provided. Ensure that wires are secure and that no bare wire is exposed.
Fitting wire colour Household circuit
Green/Yellow connect to Earth - Yellow/Green
Black connect to Live - Black
White connect to Neutral - White
b. Install the fitting to the mounting bracket, tighten it using the securing screws.

4. Install lampshade to lighting frame.
5. Turn on the power, enjoy your new lighting product.

REPLACEMENT BULB

Do not exceed the maximum wattage.

Light bulbs recommended: 4 X Max 60W E26

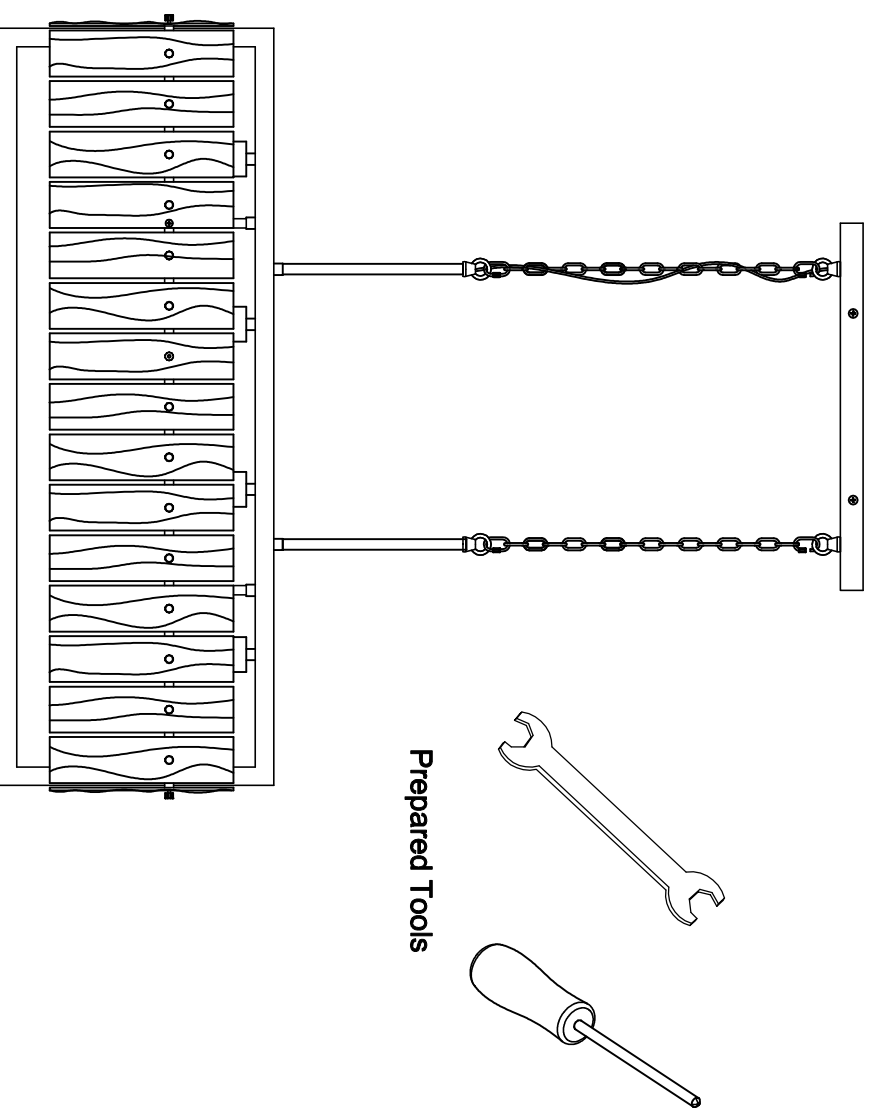
CLEANING CARE

Clean with a soft dry cloth.

SAFETY INFORMATION

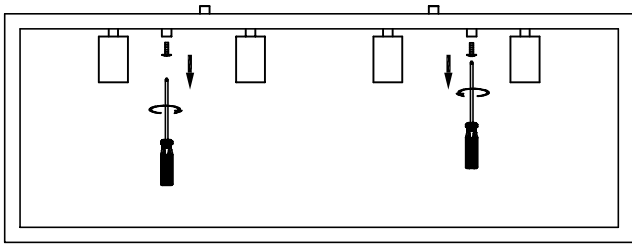
1. Lamp used must in rated voltage, and do not touch the bulb with

- bare hands. Always switch off the electricity supply and allow to cool for 10 minutes before changing the light bulbs.
2. If the external cables have been damaged, PIs change or repair by manufacturer or service agency or professional electrician, In order to avoid the danger.
3. **Kind reminder:** Glass sheets are fragile items and some may be damaged during transportation. If you find any damage to the glass sheet, you can contact us.

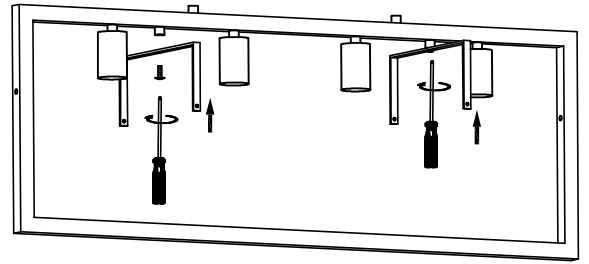


Detailed installation on the back

Installation steps of lighting fixture

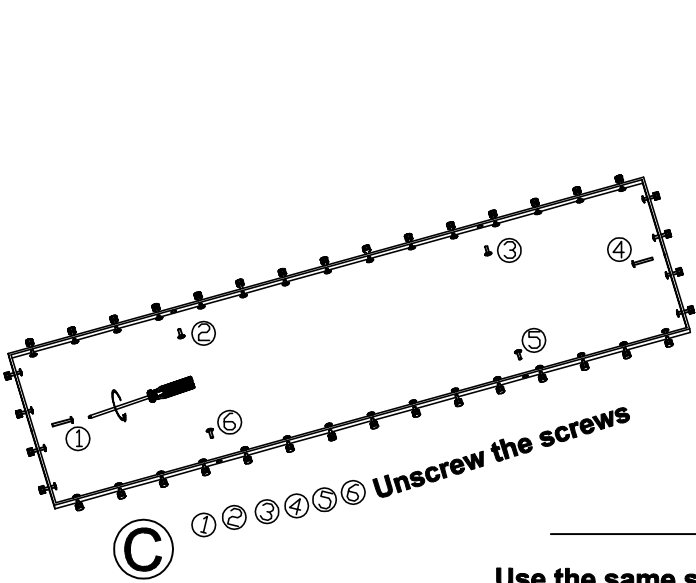


A Unscrew the screws

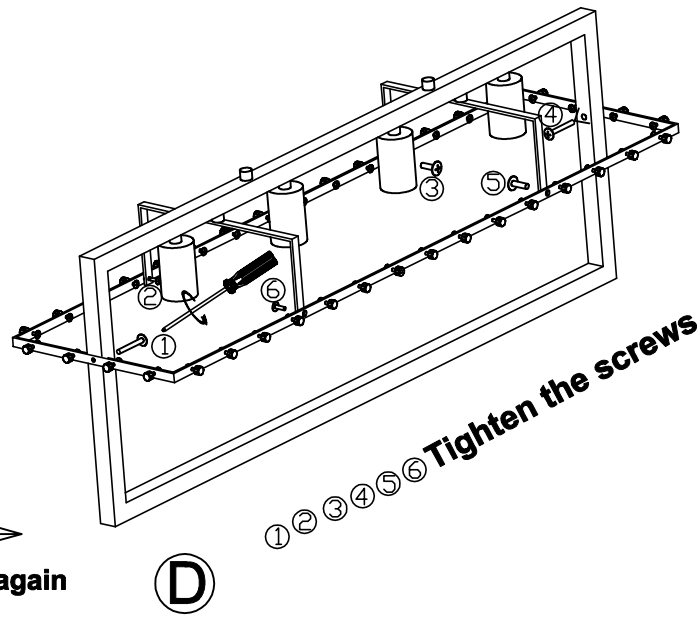


B Tighten the screws

Use the same screws again

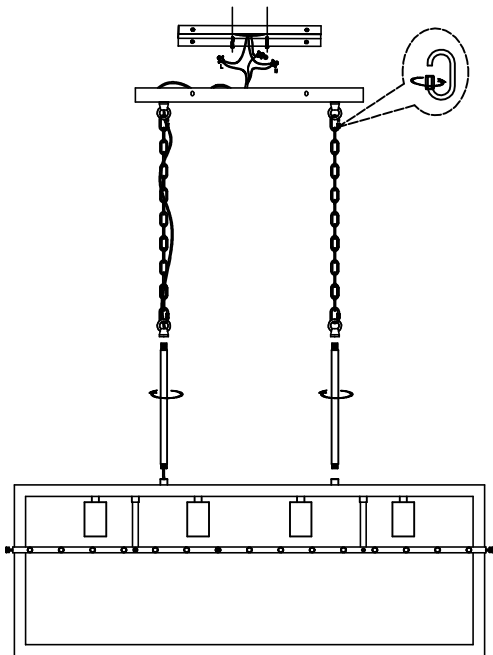


C ① ② ③ ④ ⑤ ⑥ Unscrew the screws

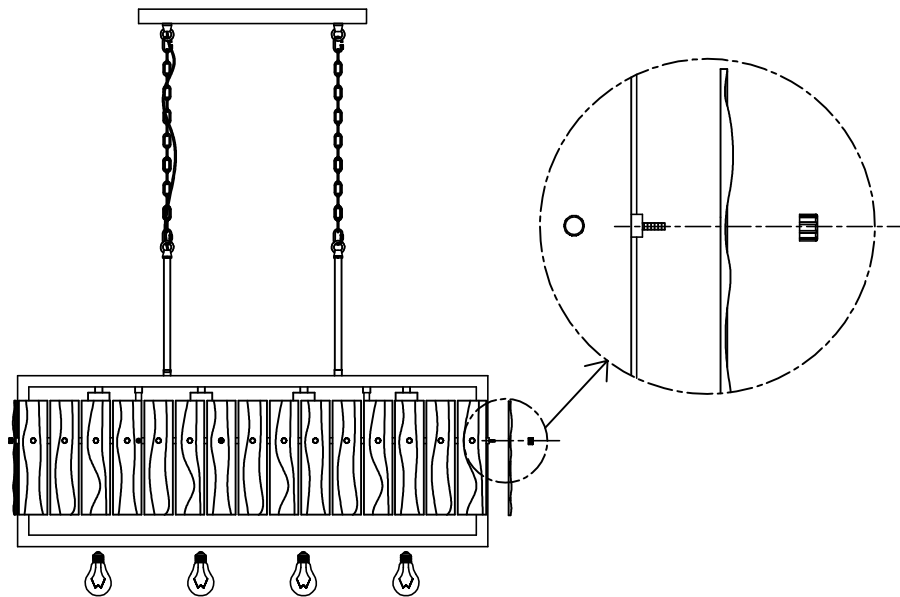


D ① ② ③ ④ ⑤ ⑥ Tighten the screws

Use the same screws again



E Install lighting fixture



F Fixed glass sheet