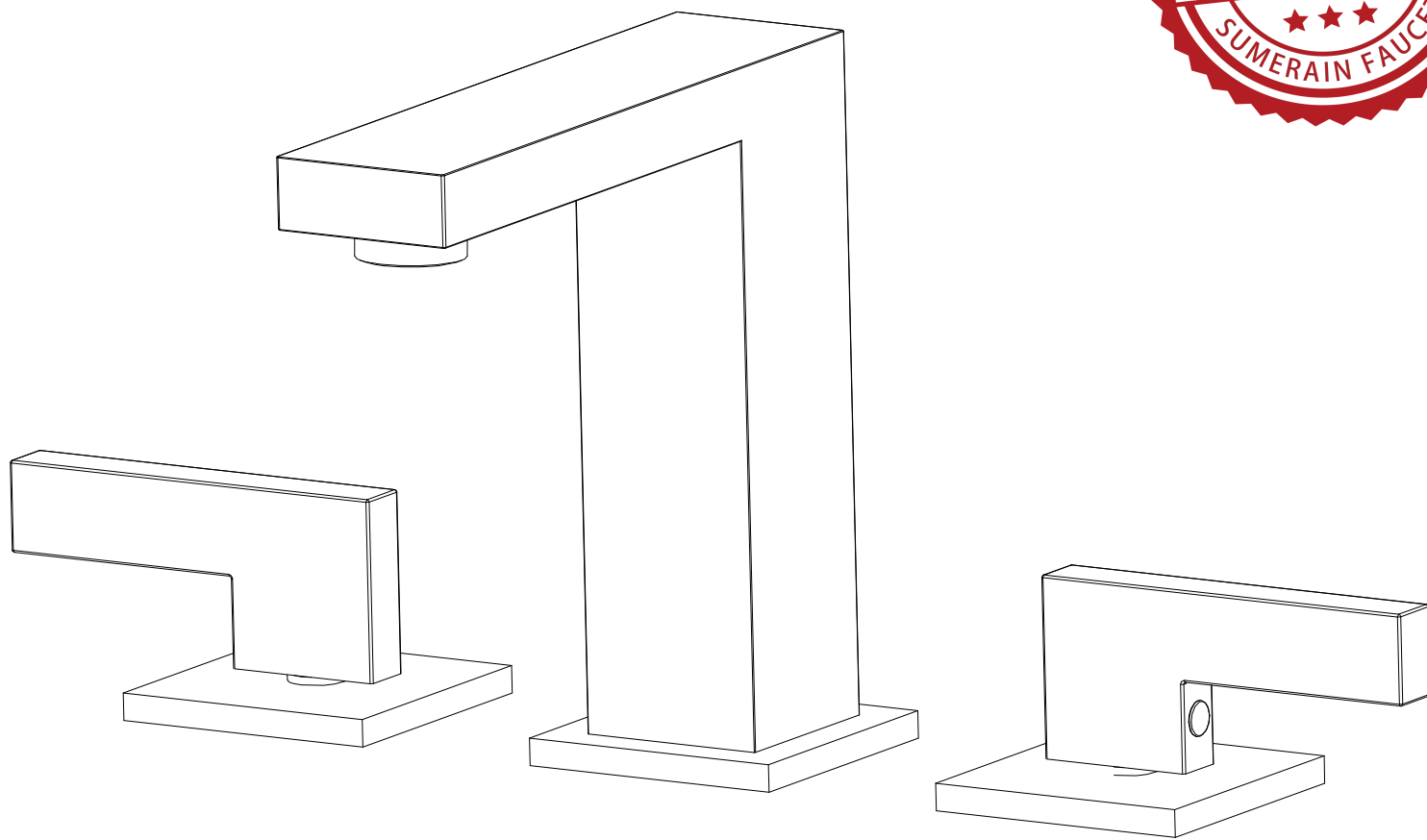


**DATASHEET**



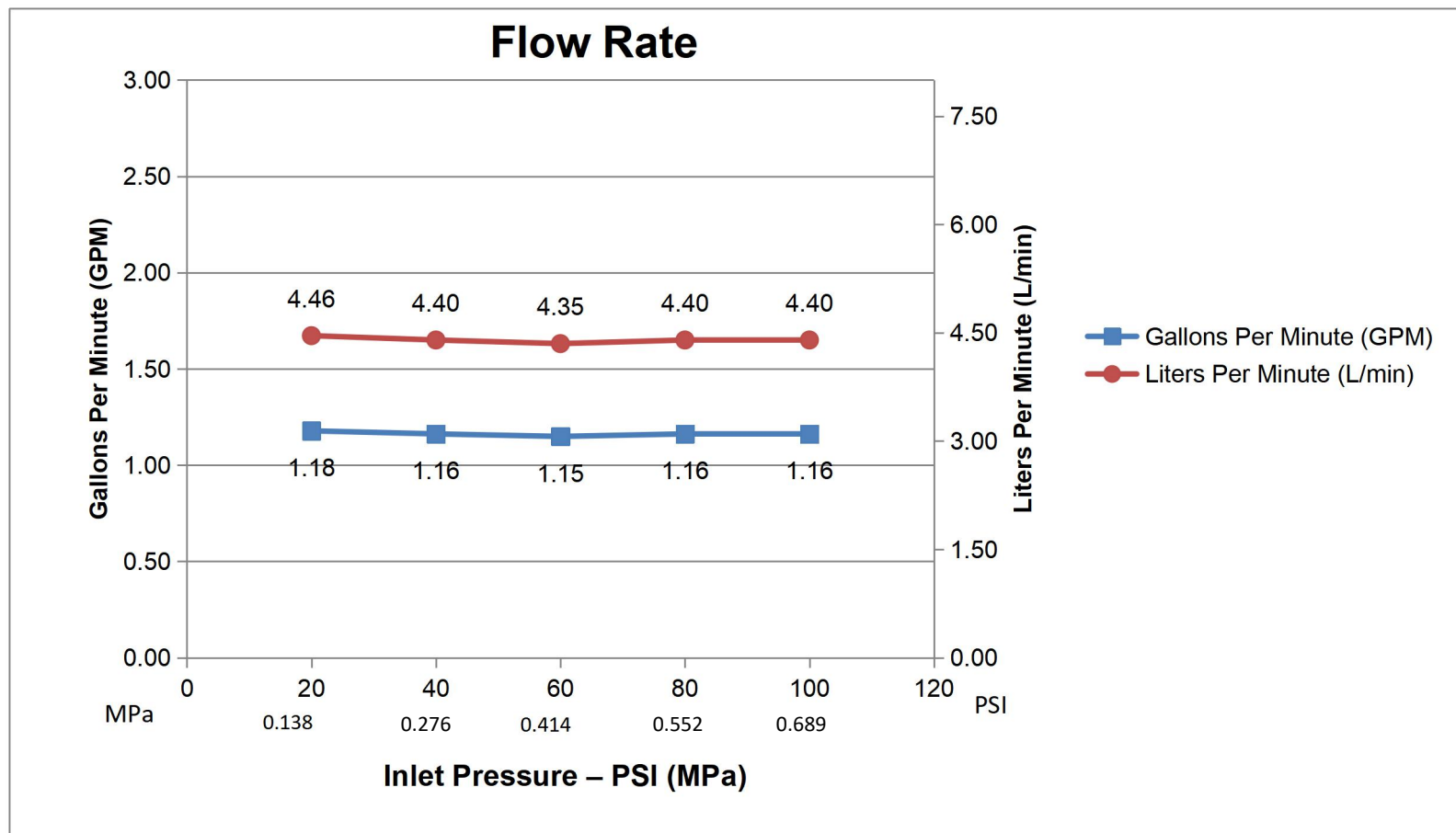
**WIDESPREAD BATHROOM SINK FAUCET**

MODEL	FINISH
S1414S-CH	Chrome
S1414S-BN	Brushed Nickel
S1414S-MB	Matte Black
S1414S-BG	Brushed Gold
S1414S-MG	Matte Black & Brushed Gold

**CUSTOMER CARE LINE: +1-866-203-0866**

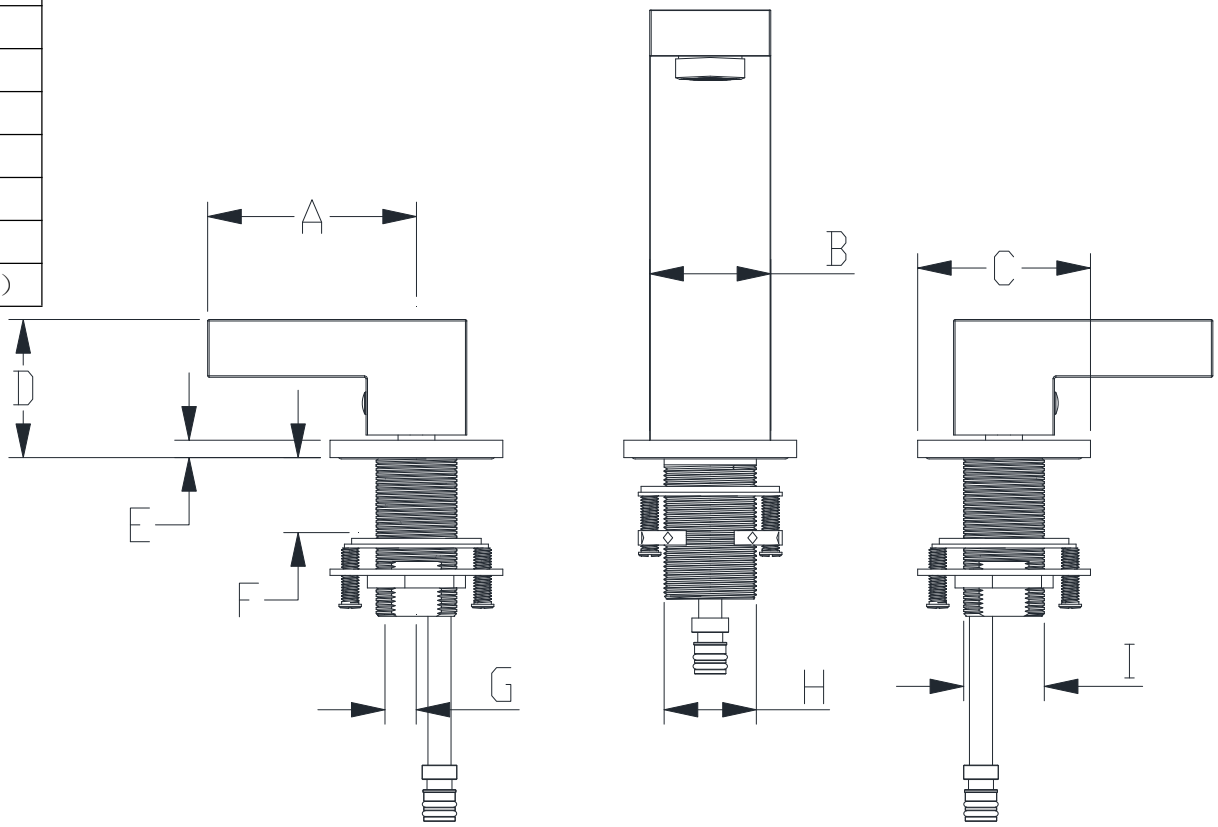
## FUNCTIONS AND SPECIFICATIONS

<b>Function</b>	Bathroom Sink Faucets
<b>Feature</b>	Widespread
<b>Style</b>	Contemporary
<b>Finish</b>	Chrome/Brushed Nickel/Matte Black/Brushed Gold/Matte Black & Brushed Gold
<b>Installation Holes</b>	Three Holes
<b>Number of Handles</b>	Two
<b>Handle Style</b>	Lever
<b>Spout Total Height</b>	6-1/8 Inch [155mm]
<b>Spout Reach</b>	4-3/4 Inch [120mm]
<b>Spout Width</b>	1-21/32 Inch [42mm]
<b>Spout Height</b>	5-5/32 Inch [131mm]
<b>Max Deck Thickness</b>	1-1/4 Inch [32mm]
<b>Valve Type</b>	Ceramic Disc Valve
<b>Valve Body Material</b>	Brass
<b>Spout Material</b>	Stainless Steel
<b>Net Weight</b>	4.25 lbs [1.93KG]
<b>Gross Weight</b>	5 lbs [2.27KG]
<b>Working Water Press</b>	29PSI ~ 145PSI [0.2~1.0MPa]
<b>Flow Rate@60PSI</b>	1.15GPM @60PSI[4.35L/min@0.414MPa]
<b>Packing Box Size</b>	12-19/32" × 8-1/16" × 4-1/4" [320mm × 205mm × 105mm]



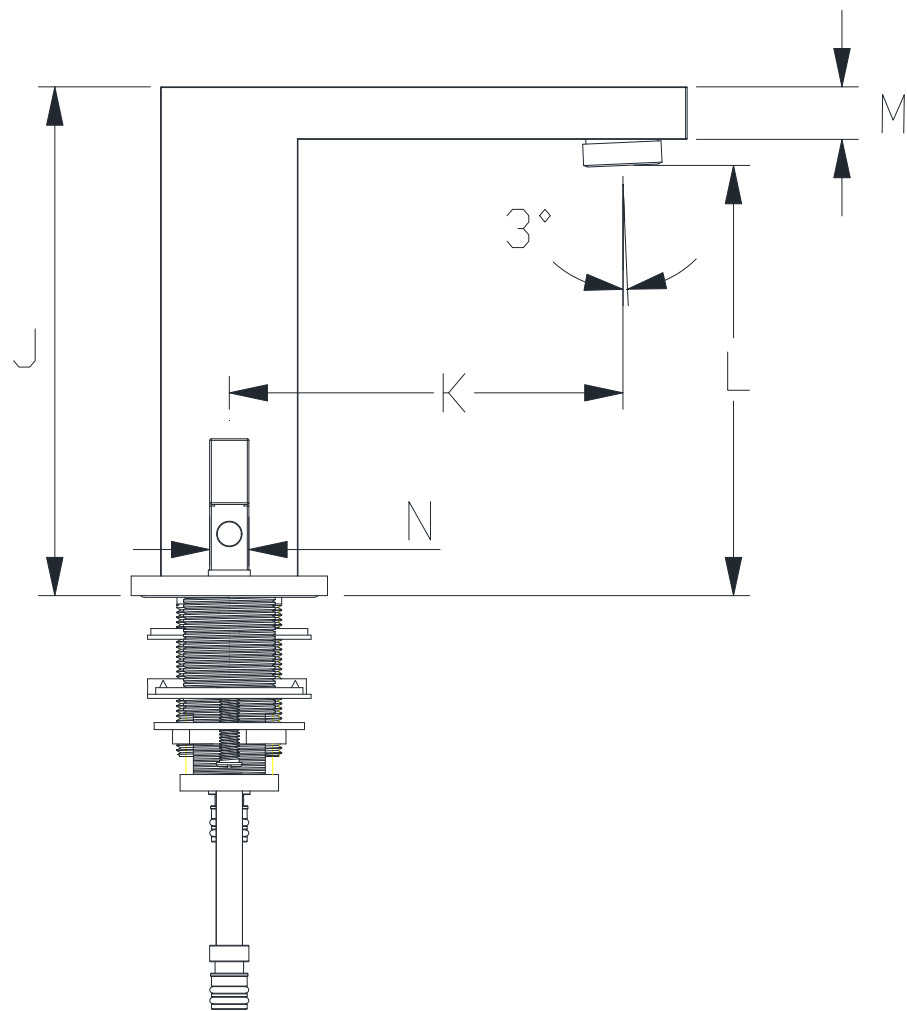
## DIMENSIONS

Code	Dimensions - Inch	Dimensions - mm
A	2-7/8"	72.5
B	1-3/4"	42
C	3× (2-3/8")	3× (60)
D	1-7/8"	47.8
E	1/4"	6
F	Max 1-1/4"	Max 32
G	2× (13/32")	2× (M10×1)
H	M1-1/4" ×1.5	M32×1.5
I	2× (1-1/8" ×1.5)	2× (M28×1.5)



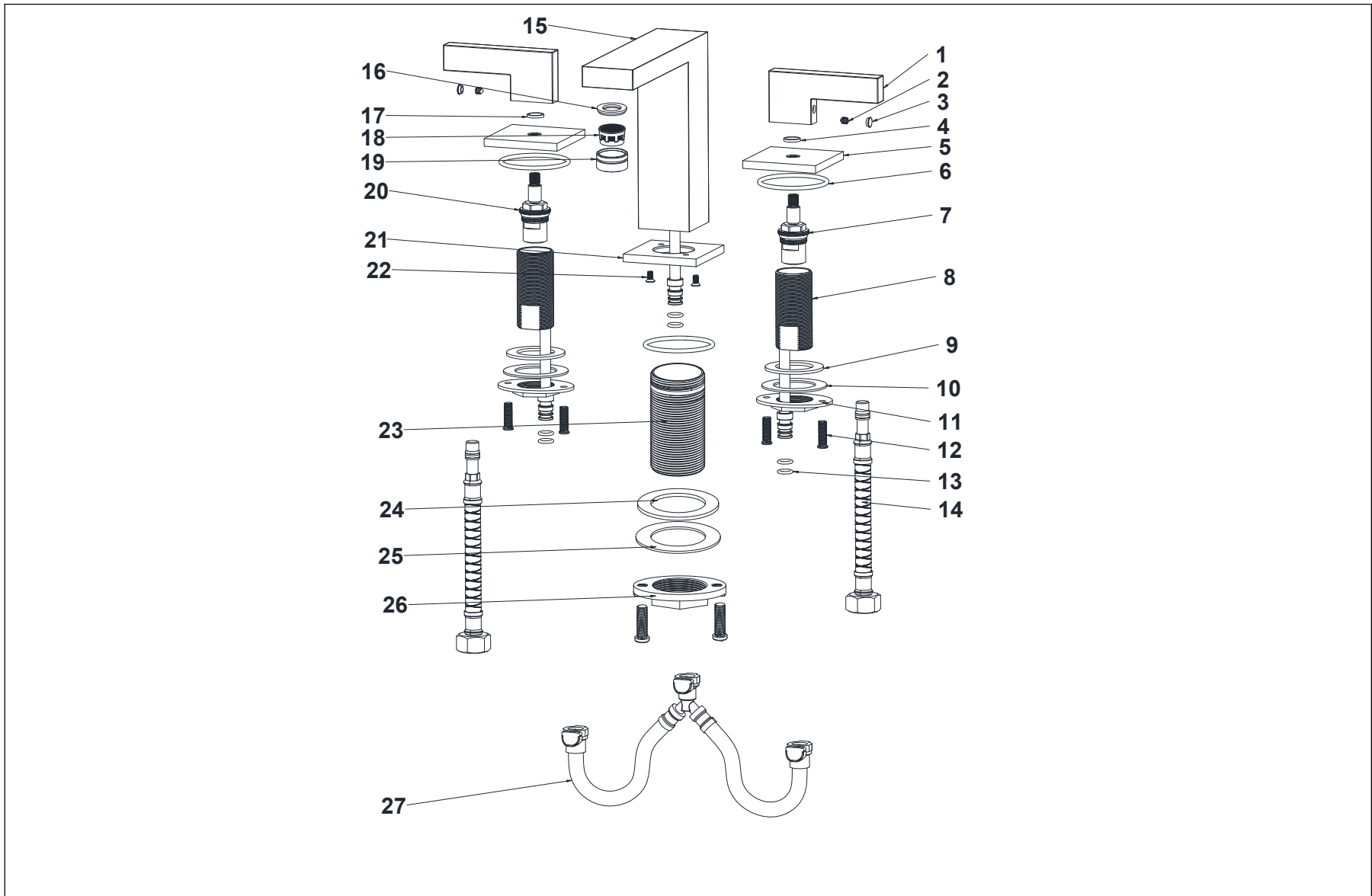
**FRONT VIEW OF FAUCET**

Code	Dimensions - Inch	Dimensions - mm
J	6-1/8"	155
K	4-3/4"	120
L	5-5/32"	131
M	5/8"	16
N	1/2"	12



**SIDE VIEW OF FAUCET**

## EXPLOSION DIAGRAM



NO	ITEM NAME	MATERIAL	QTY	PART NO.	NO	ITEM NAME	MATERIAL	QTY	PART NO.
1	Knob	Zn Alloy No.3	2	PHD14150XX	15	Spout	SUS304	1	PSP14140XX
2	Set Screw	SUS304	2	PSC05050XX	16	Rubber Washer	NBR	1	PRW23165XX
3	Screw Cover	ABS	2	PSA00002XX	17	Hot Water Indicator (Red)	POM	1	PRW13100XX
4	Cold Water Indicator (Blue)	POM	1	PRW13101XX	18	Aerator	ABS	1	PAE00010XX
5	Escutcheon	SUS304	2	PEC14141XX	19	Aerator Cover	HPB59-1	1	PAE00002XX
6	O-Ring	NBR	3	POR55030XX	20	Hot Disc Cartridge	ASSEMBLY	1	PCT32350XX
7	Cold Disc Cartridge	ASSEMBLY	1	PCT32351XX	21	Spout Escutcheon	SUS304	1	PEC14140XX
8	Valve Body	HPB59-1	2	PVB14140XX	22	Screw	SUS304	2	PSC04010XX
9	Rubber Washer	NBR	2	PRW45302XX	23	Shank	SUS304	1	PNT00010XX
10	Metal Washer	SUS304	2	PRW45303XX	24	Rubber Washer	NBR	1	PRW48322XX
11	M28x1.5 Lock Nut	HPB59-1	2	PNT00016XX	25	Metal Gasket	SUS304	1	PRW50401XX
12	Set Screw	SUS304	6	PSC00001XX	26	Shank Nut	SUS304	1	PNT00022XX
13	O-Ring	NBR	6	POR11020XX	27	Flexible Hoses	ASSEMBLY	1	PFH00021XX
14	Supply Hose	ASSEMBLY	2	PFH00006XX					



North America	Asia	Europe
SUMERAIN INTERNATIONAL GROUP INC	HONGKONG SUMERAIN SANITARY INDUSTRY CO., LIMITED	SUMERAIN EUROPE SUPPORT TEAM
Add: 1226 NORTH KING ST NUM 522 WILMINGTON, DE 19801 United States	Add: FLAT/RM 3B 3/F BANK TOWER NOS.351&353 KING'S ROAD NORTH POINT,HONGKONG	Add: Flottwellstr.15 10785 Berlin, Deutschland
Tel: +1(866)203-0866	Tel: +86-750-2731579	Tel: +49 (0)30/23975898
E-mail: supports@sumerain.us	E-mail: supports@sumerain.com	E-mail: de@sumerain.com