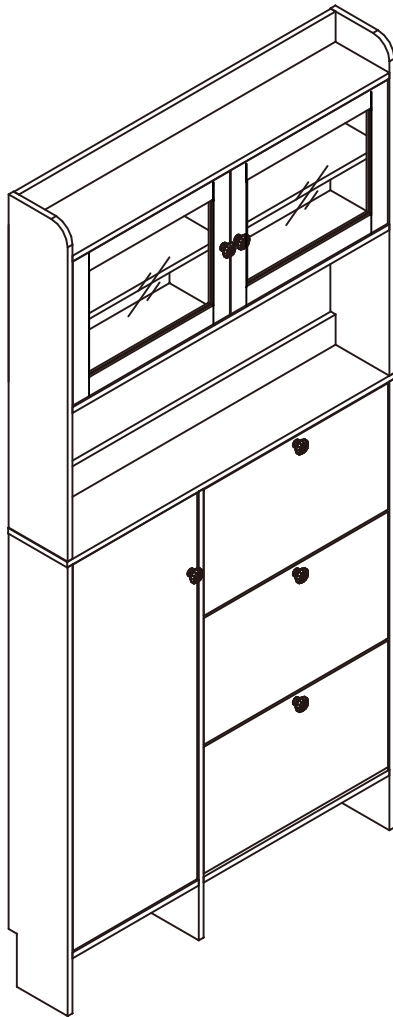


# Hall Tree

**Assembly Instructions - Please keep for future reference**



## Dimensions

Width-39.37inch

Depth-7.09inch

Height-81.89inch

**Important – Please read these instructions fully before starting assembly**



## Safety and Care Advice

**Important – Please read these instructions fully before starting assembly**

- Check you have all the components and tools listed on the following pages.
- Remove all fittings from the plastic bags and separate them into their groups.
- Keep children and animals away from the work area, small parts could choke if swallowed.
- Make sure you have enough space to layout the parts before starting.

- During assembly do not stand or put weight on the product, this could cause damage.
- Assemble the item as close to its final position (in the same room) as possible.
- Assemble on a soft level surface to avoid damaging the unit or your floor.
- Parts of the assembly will be easier with 2 people.



- To reduce the likelihood of damaging your product please ensure that your power drill is set on a low torque setting.

### Care and maintenance

- Only clean using a damp cloth and mild detergent, do not use bleach or abrasive cleaners.
- From time to time check that there are no loose screws on this unit.
- This product should not be discarded with household waste. Take to your local authority waste disposal centre.

### Handy Hints

- Assemble all parts and bolts loosely during assembly, only once the product is complete should you fully tighten the bolts
- Regularly check and ensure That all bolts and fittings are tightend properly.

**WARNING**  
**In order to help prevent overturning – please follow these instructions**

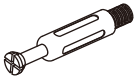



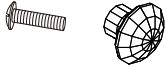
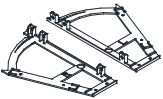
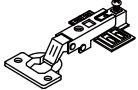

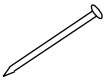





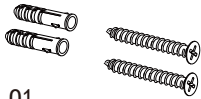



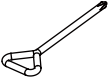
To help prevent product toppling over please follow the below steps:-

- Use the anti tip stap or wall fixing method provided (if applicable)
- Do not allow children to climb or hang on the furniture
- Do not open more than one drawer at a time
- Do not place heavy items in the top drawers
- Do not place heavy items on top of the furniture, unless the furniture has been designed for this purpose

# Components-Fittings

Please check you have all the panels listed below

Note: The quantities below are the correct amount to complete the assembly. In some cases more fittings may be supplied than are required.

<p><b>(A)</b></p>  <p>Cam Bolt x 38+2</p>	<p><b>(B)</b></p>  <p>Cam Lock x 38+2</p>	<p><b>(C)</b></p>  <p>8*30mm Dowel x 10+1</p>	<p><b>(D)</b></p>  <p>5*40mm Screw x 8+1</p>
<p><b>(E)</b></p>  <p>Shake hands x 6+1</p>	<p><b>(F)</b></p>  <p>Tipping shoe rack x 3</p>	<p><b>(G)</b></p>  <p>Hinge x 7</p>	<p><b>(H)</b></p>  <p>4*11mm Screw x 6+1</p>
<p><b>(J)</b></p>  <p>Light Belt x 28+2</p>	<p><b>(K)</b></p>  <p>Bulkhead Pins x 16+2</p>	<p><b>(L)</b></p>  <p>Shoe rack stopper x 6</p>	<p><b>(M)</b></p>  <p>Shoe frame outer pivot x 6</p>
<p><b>(N)</b></p>  <p>Shoe rack inner pivot x 6</p>	<p><b>(P)</b></p>  <p>Perfect Fit x 30</p>	<p><b>(Q)</b></p>  <p>Q1 Q2 Anti fall component x 2</p>	<p><b>(R)</b></p>  <p>Couple x 3</p>
<p><b>(S)</b></p>  <p>3.5*14mm Screw x 84+3</p>	<p><b>(T)</b></p>  <p>T1 T2 Plate holder x 1+1</p>	<p><b>(U)</b></p>  <p>Screwdriver x 1</p>	

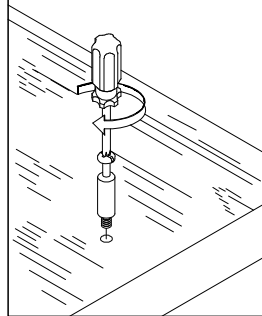
# Using Camlocks

## Step 1

Connect the male camlock as directed in the assembly instructions using a screwdriver.

1

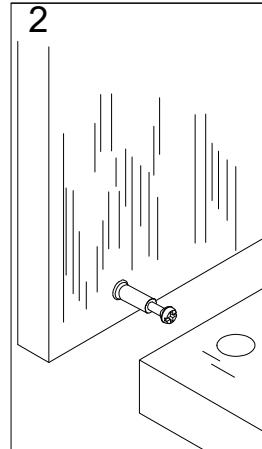
DO NOT OVER TIGHTEN.  
NE PAS SERRER EXCESSIVEMENT.



## Step 2

Push the male camlock into the entry hole.

2

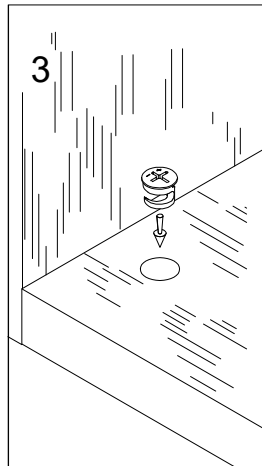


## Step 3

Insert the female camlock as shown in the instruction.

Note: ensure that the arrow on the top of the camlock points towards the entry hole for the male camlock.

3



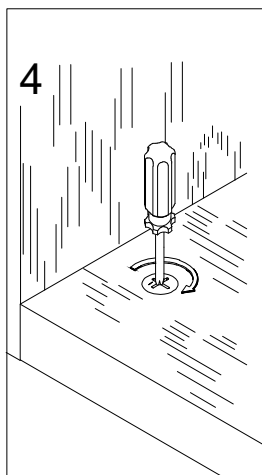
## Step 4

Turn the female camlock clockwise with a screwdriver.

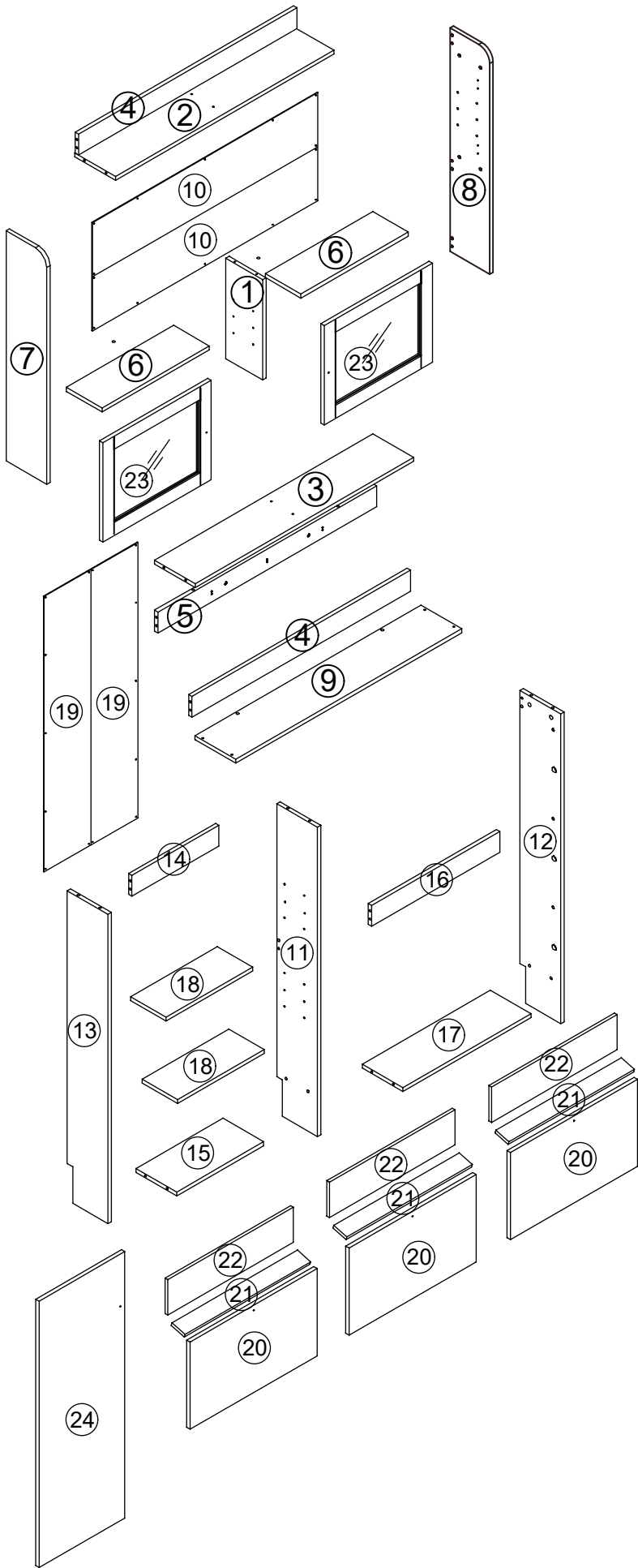
You should feel a click when the camlock is locked in place.

The joint is now secure.

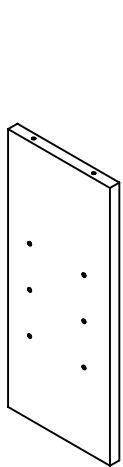
4



# Assembly Instructions



# Assembly Instructions



① X 2



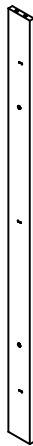
② X 1



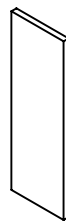
③ X 1



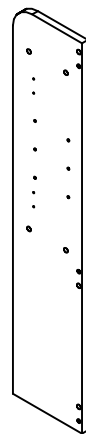
④ X 2



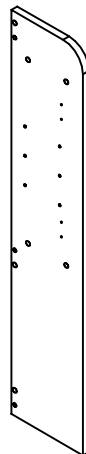
⑤ X 1



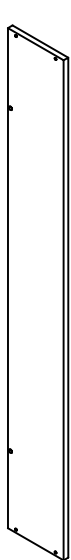
⑥ X 2



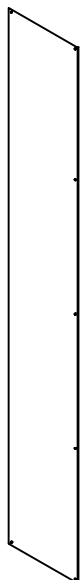
⑦ X 1



⑧ X 1



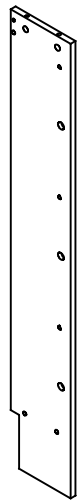
⑨ X 1



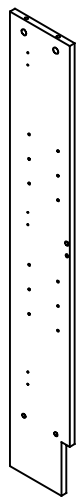
⑩ X 1



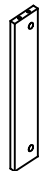
⑪ X 1



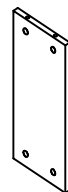
⑫ X 1



⑬ X 1



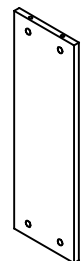
⑭ X 1



⑮ X 1



⑯ X 1



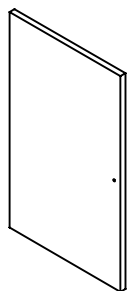
⑰ X 1



⑱ X 2



⑲ X 2



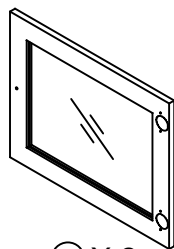
⑳ X 3



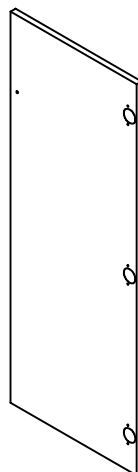
㉑ X 3



㉒ X 3



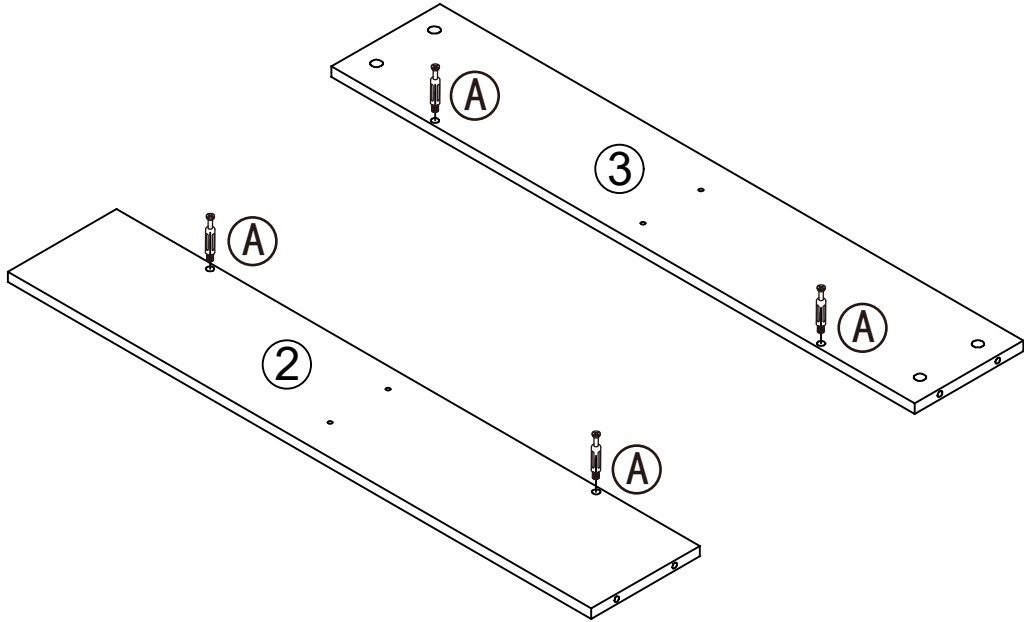
㉓ X 2



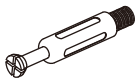
㉔ X 1

# Assembly Instructions

## Step 1

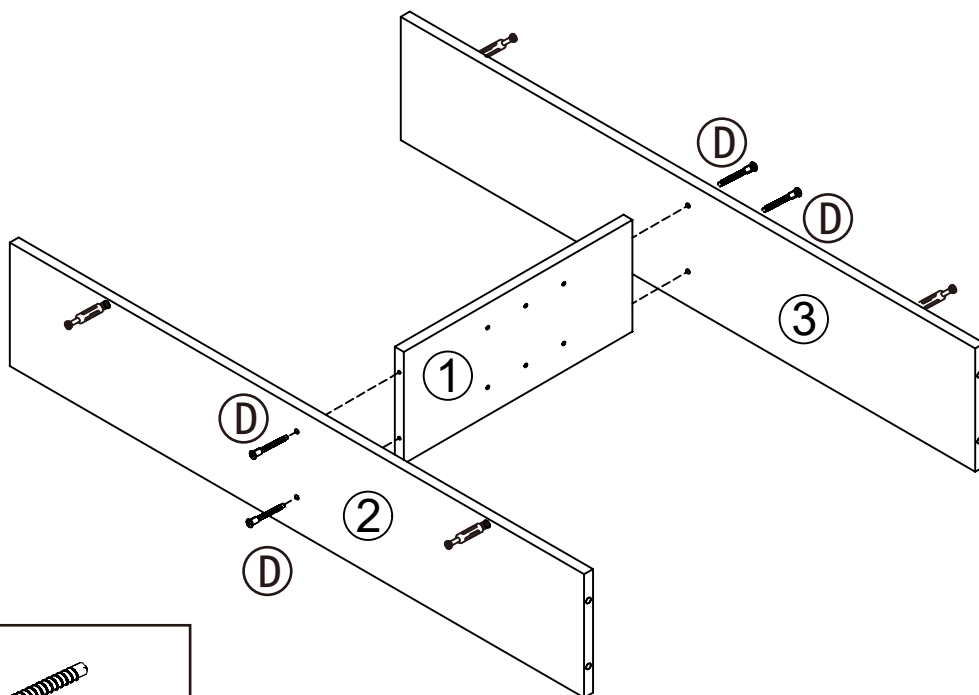


A

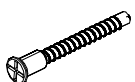


Cam Bolt x 4

## Step 2



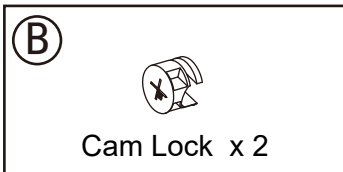
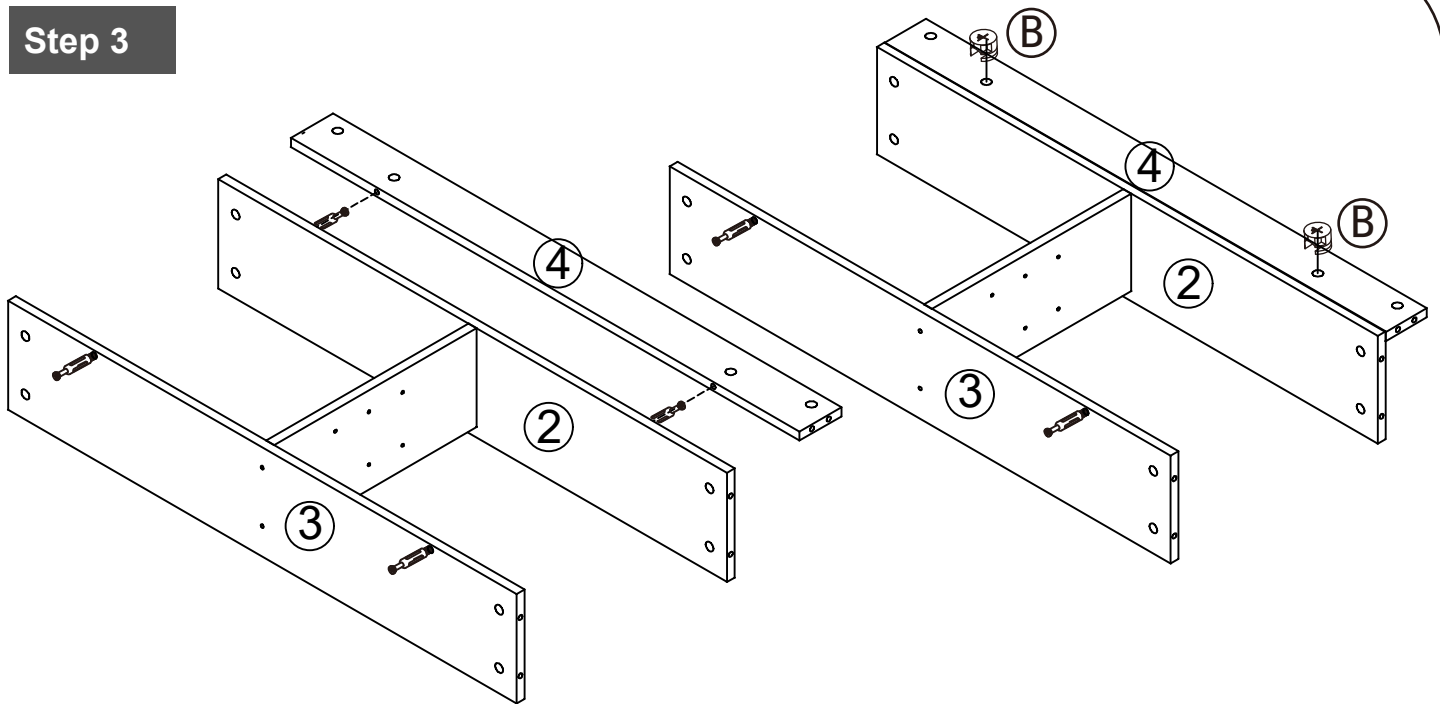
D



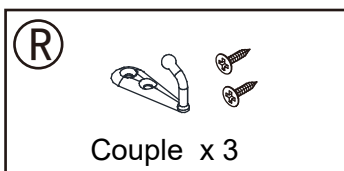
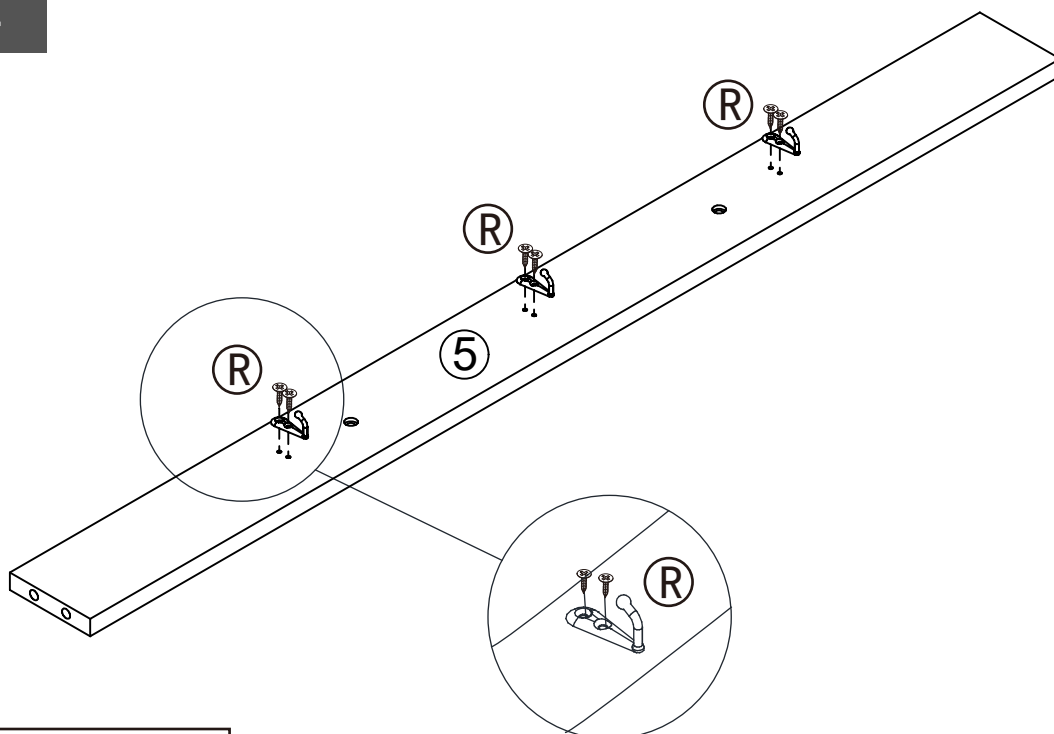
5\*40mm Screw x 4

# Assembly Instructions

## Step 3

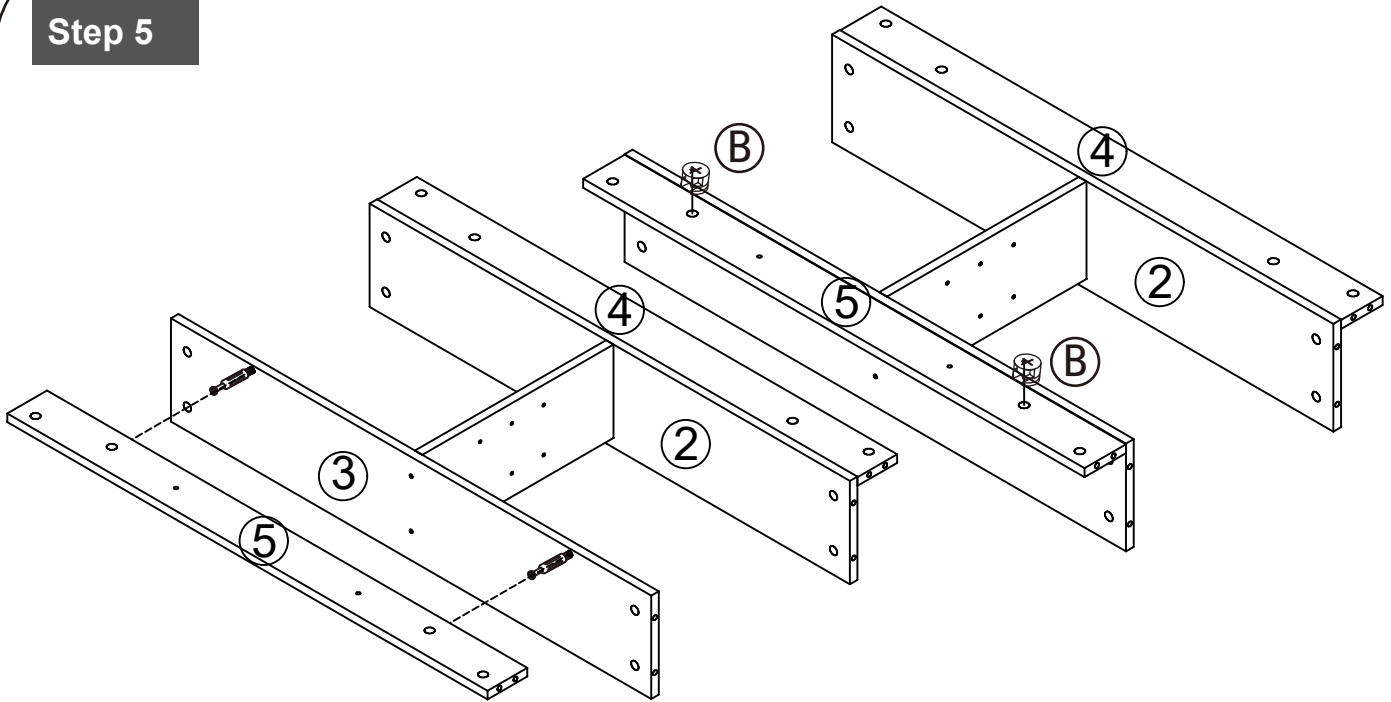


## Step 4



# Assembly Instructions

## Step 5

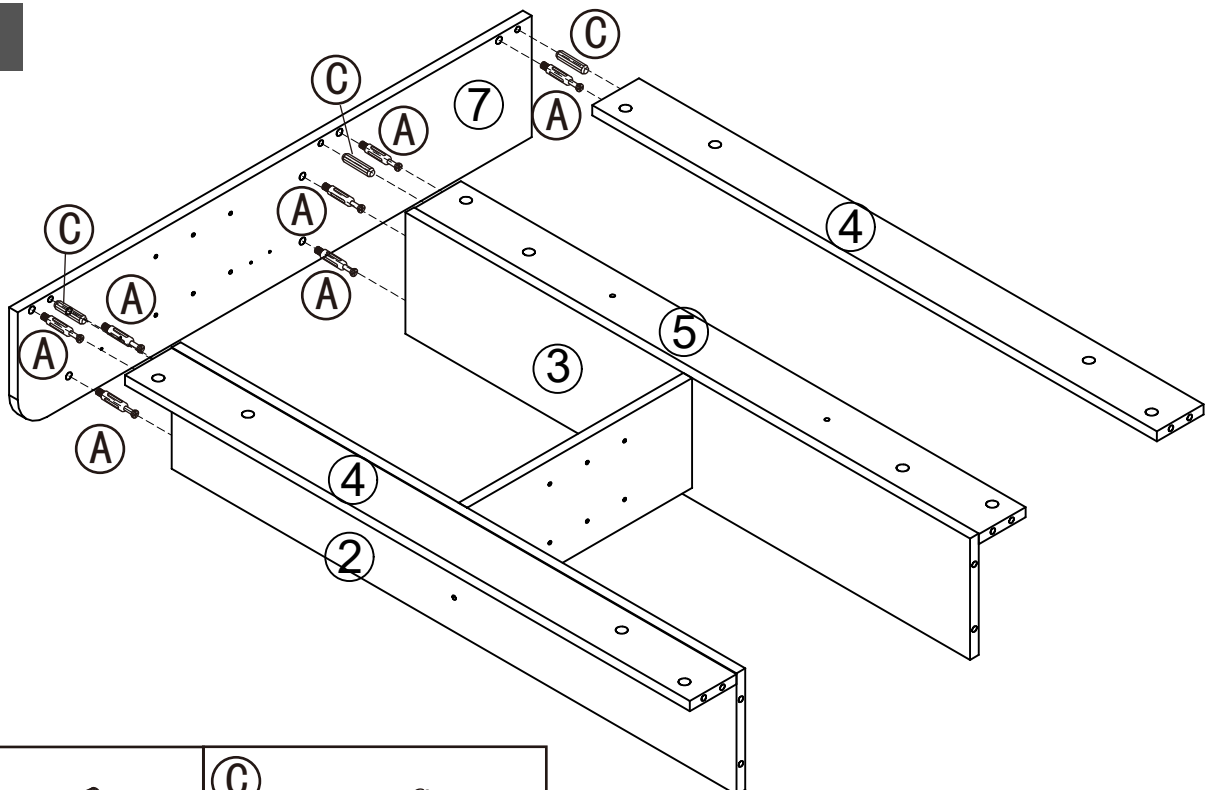


(B)

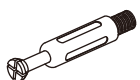


Cam Lock x 2

## Step 6

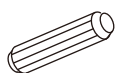


(A)



Cam Bolt x 7

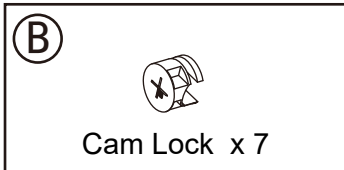
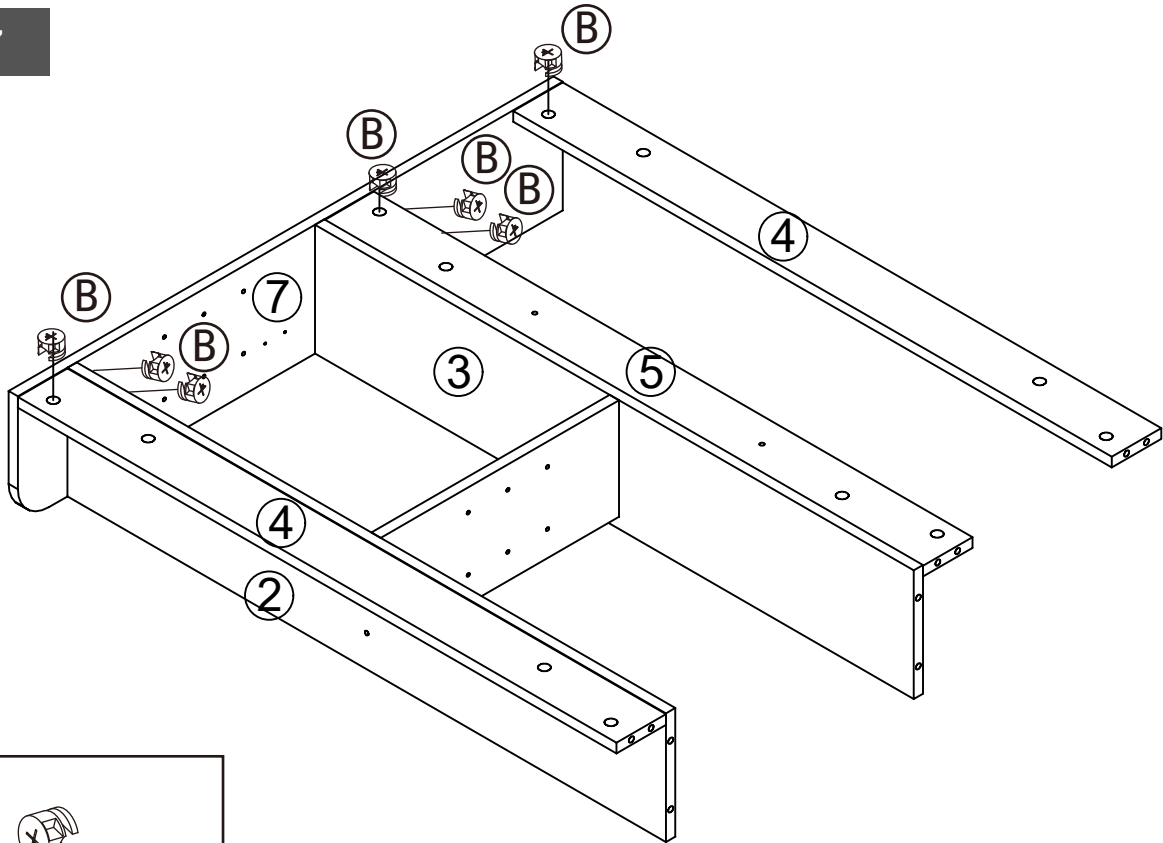
(C)



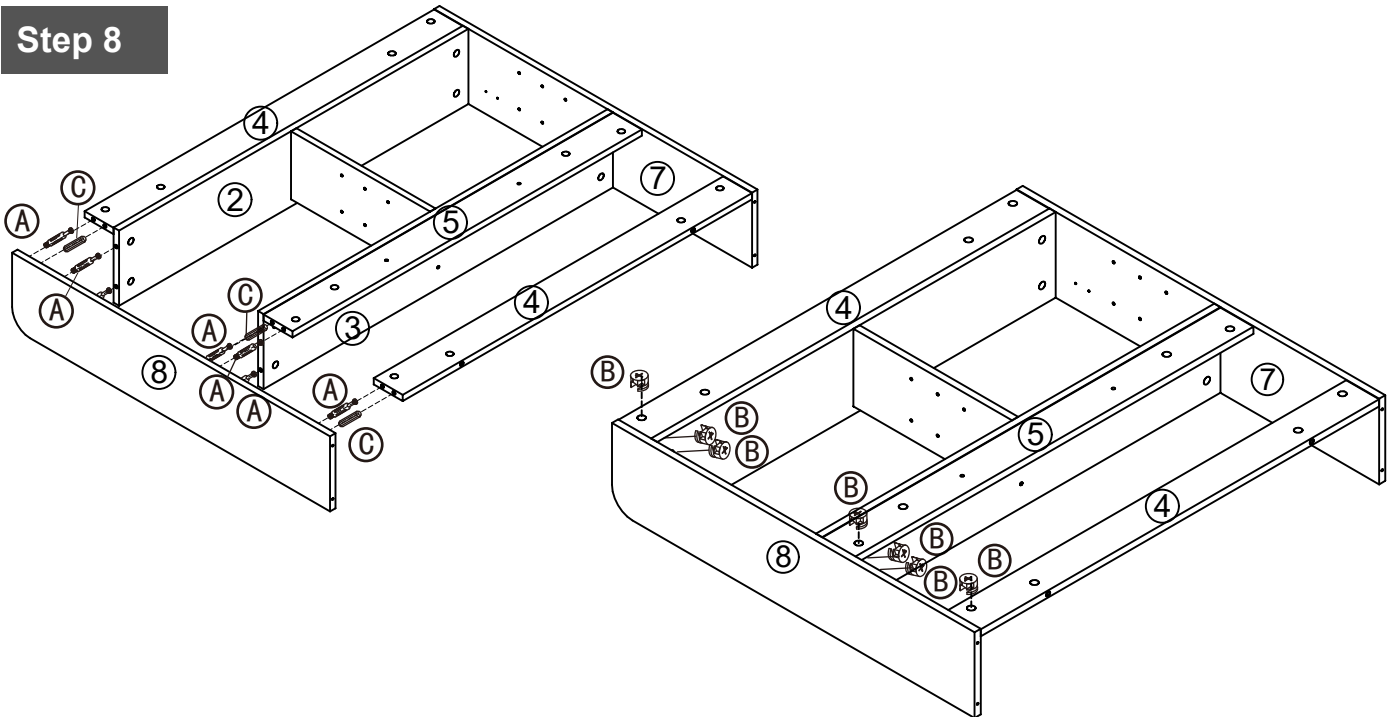
8\*30mm Dowel x 3

# Assembly Instructions

## Step 7

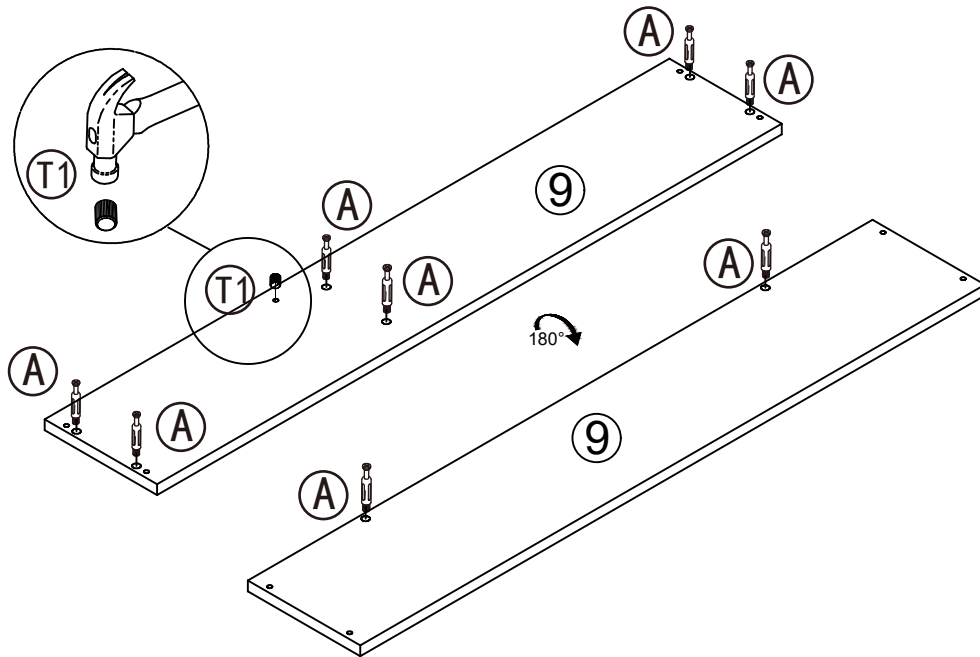


## Step 8

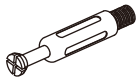


# Assembly Instructions

## Step 9



(A)



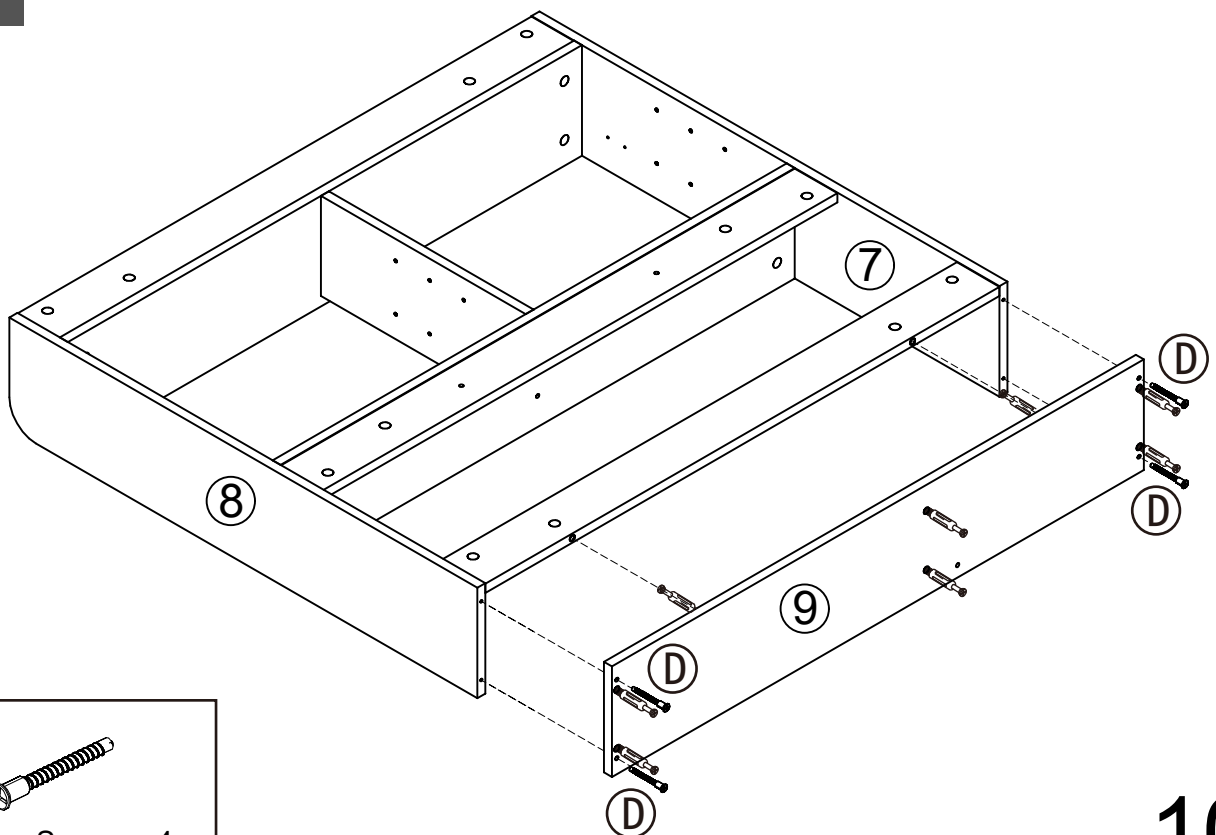
Cam Bolt x 8

(T1)

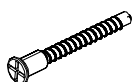


Plate holder x 1

## Step 10



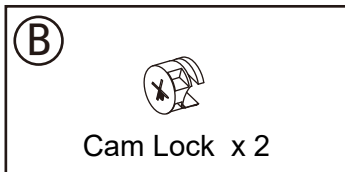
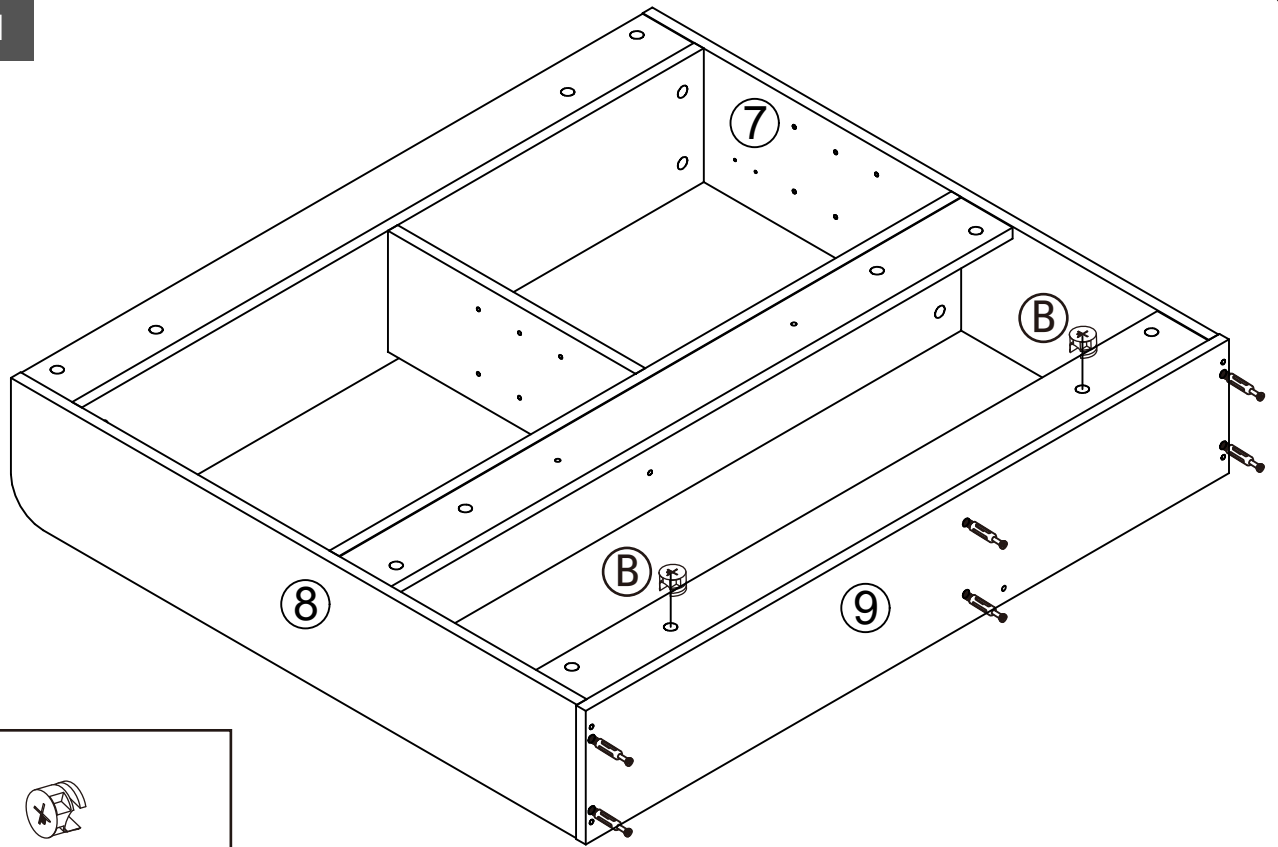
(D)



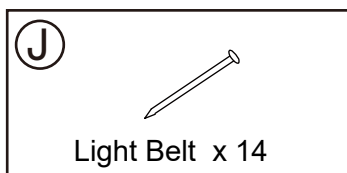
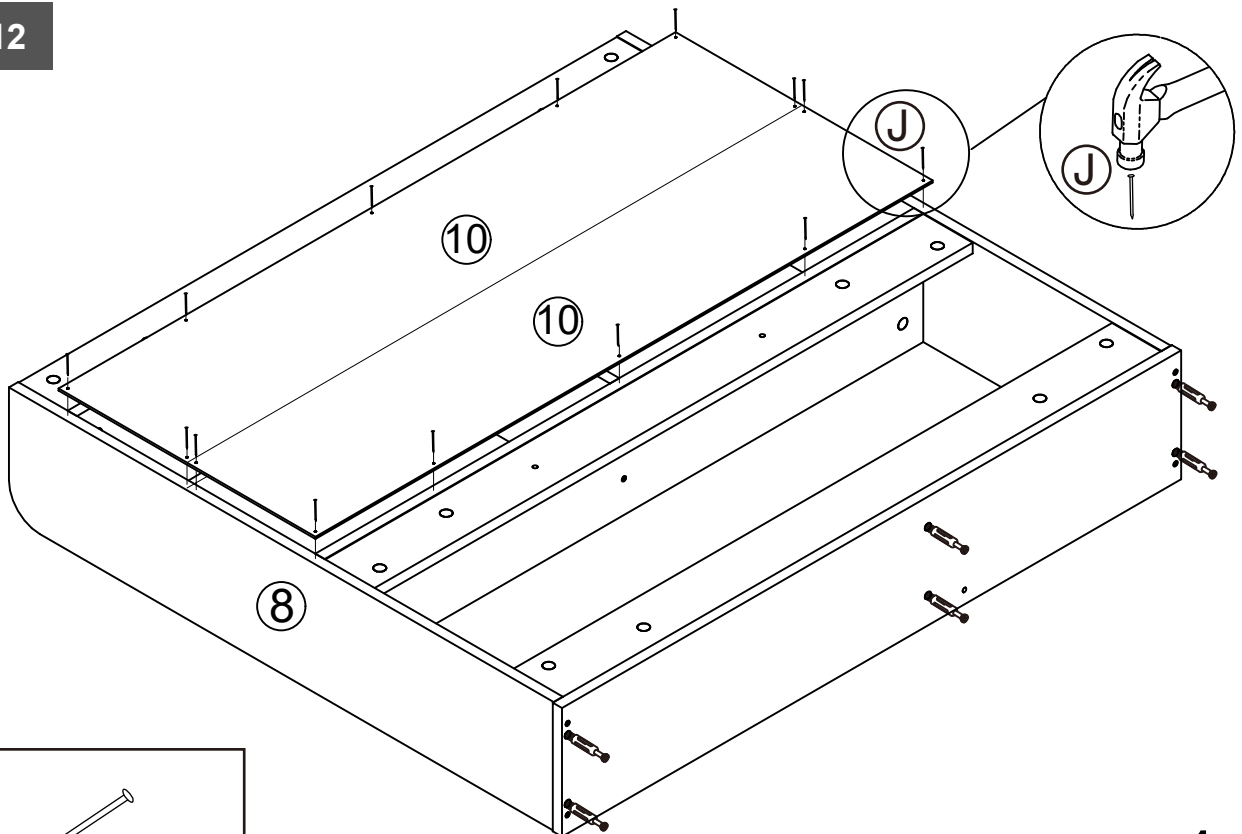
5\*40mm Screw x 4

# Assembly Instructions

## Step 11

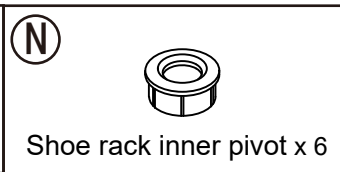
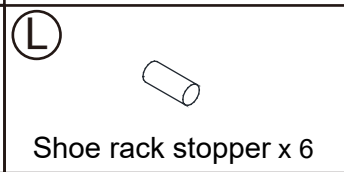
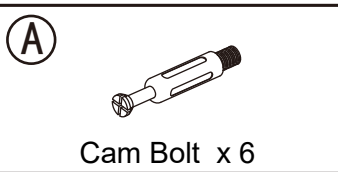
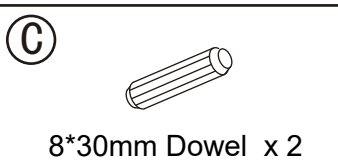
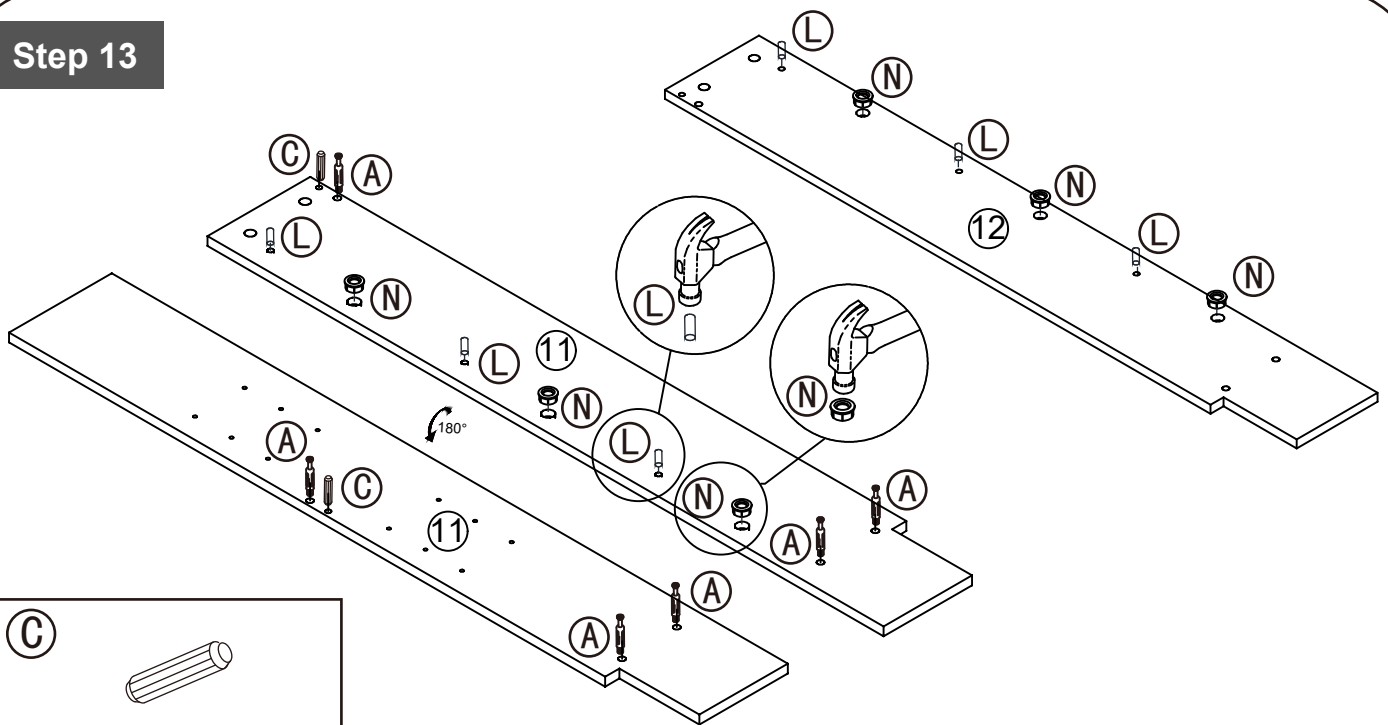


## Step 12

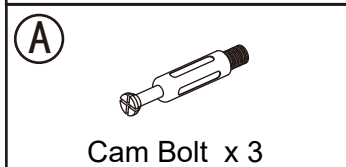
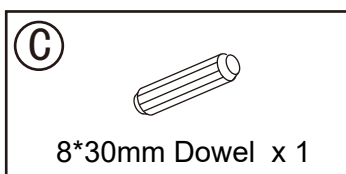
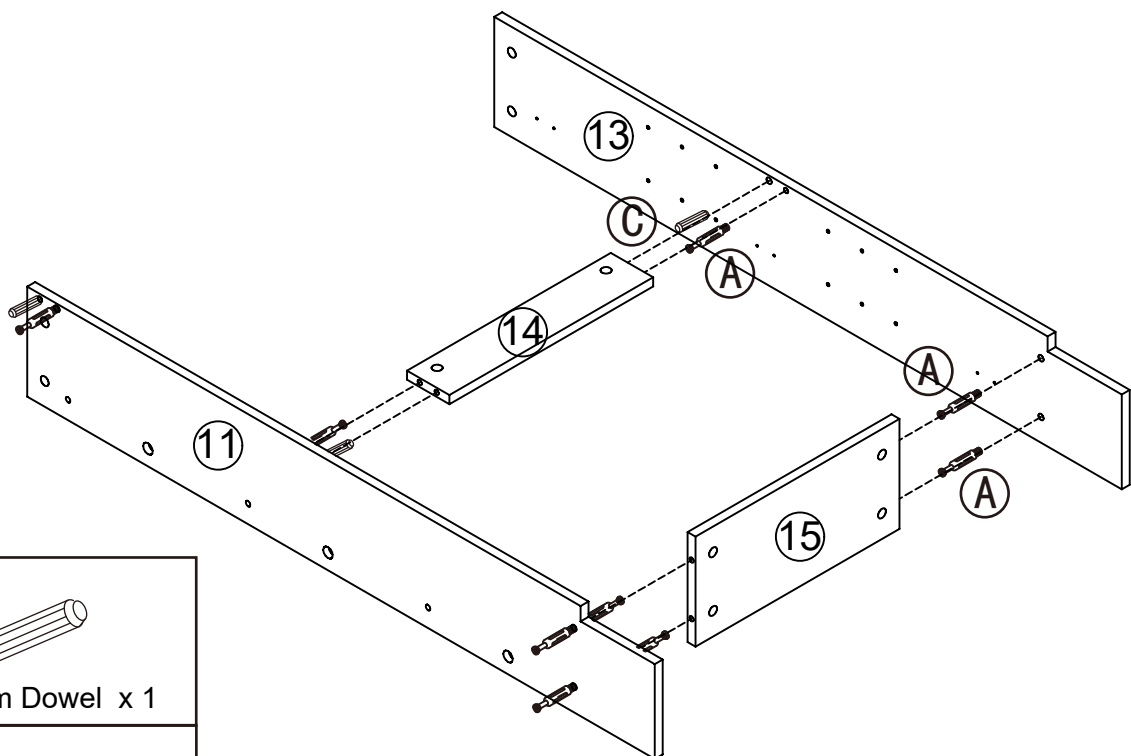


# Assembly Instructions

## Step 13

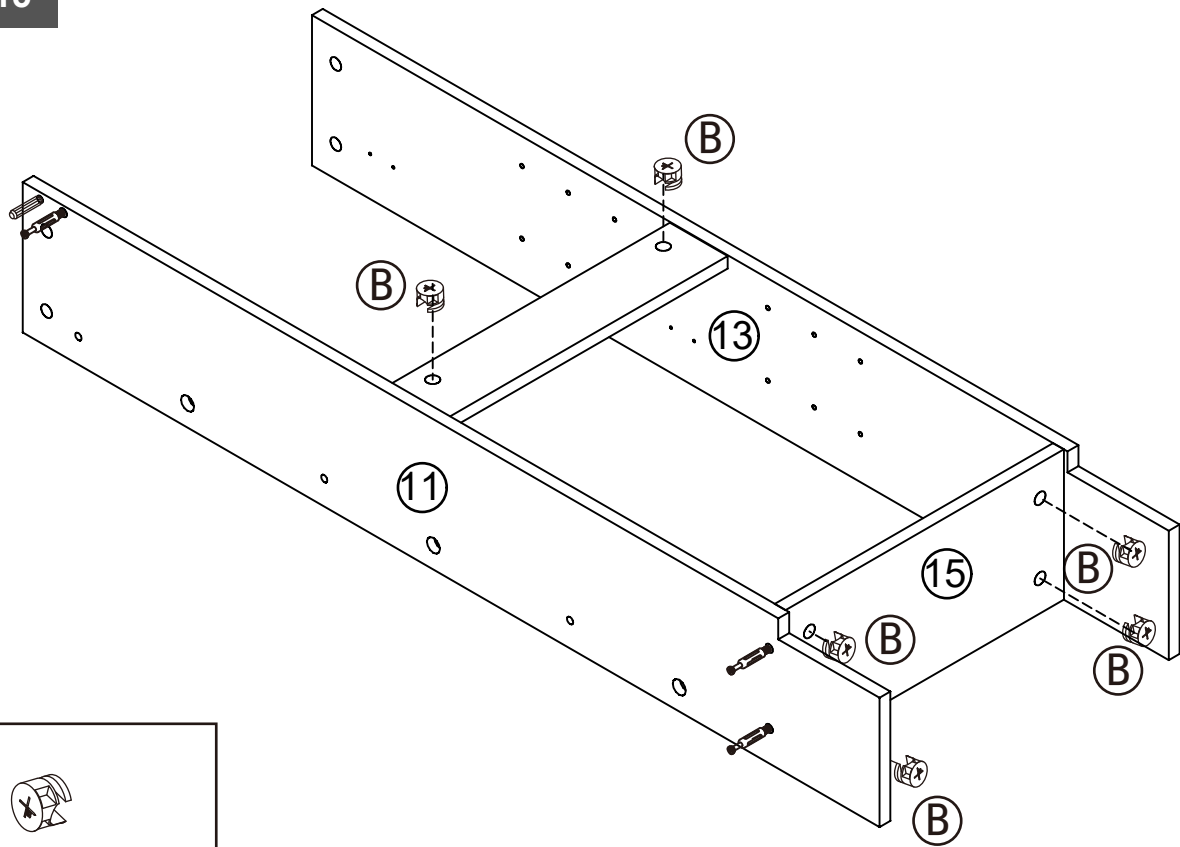


## Step 14



# Assembly Instructions

## Step 15

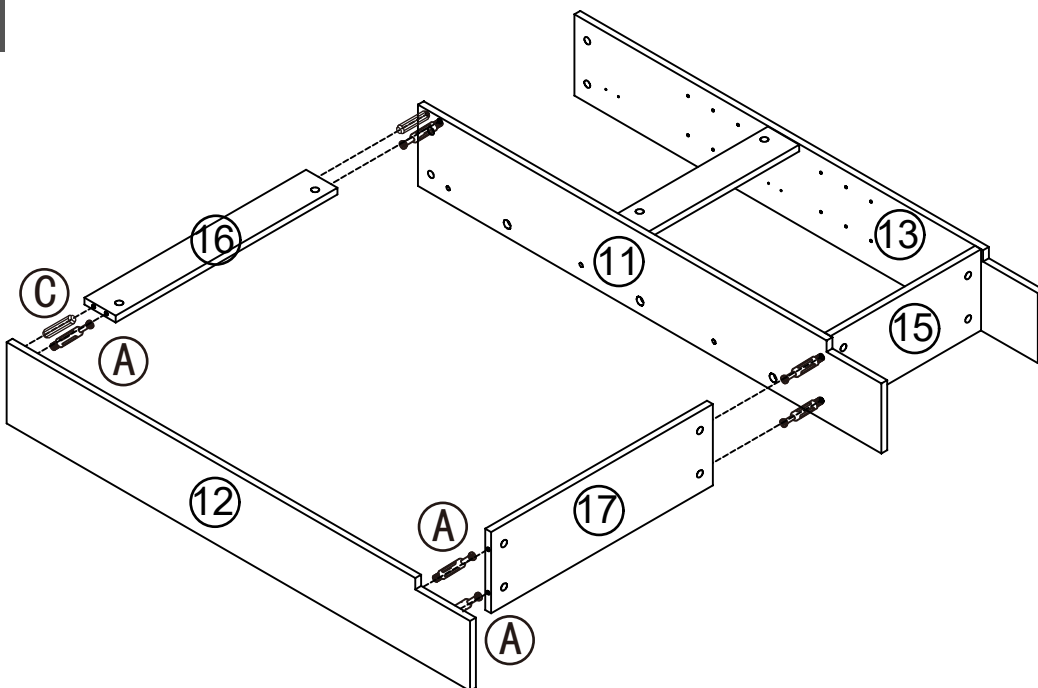


(B)

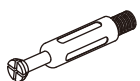


Cam Lock x 6

## Step 16

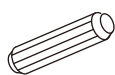


(A)



Cam Bolt x 3

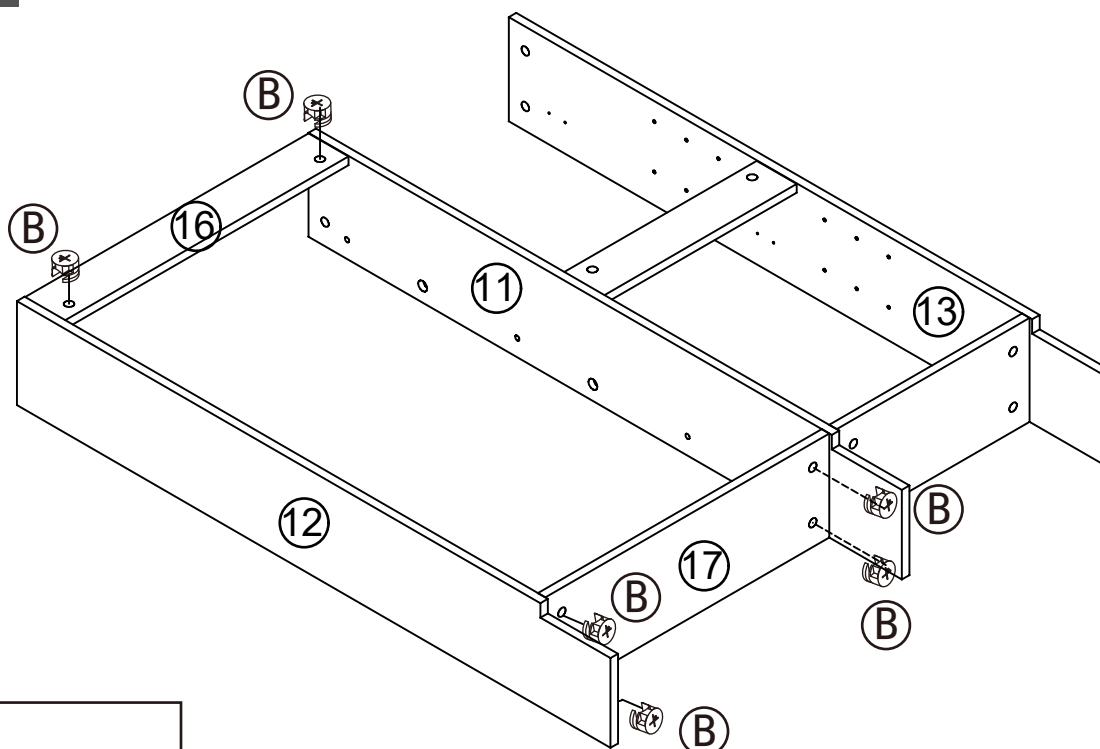
(C)



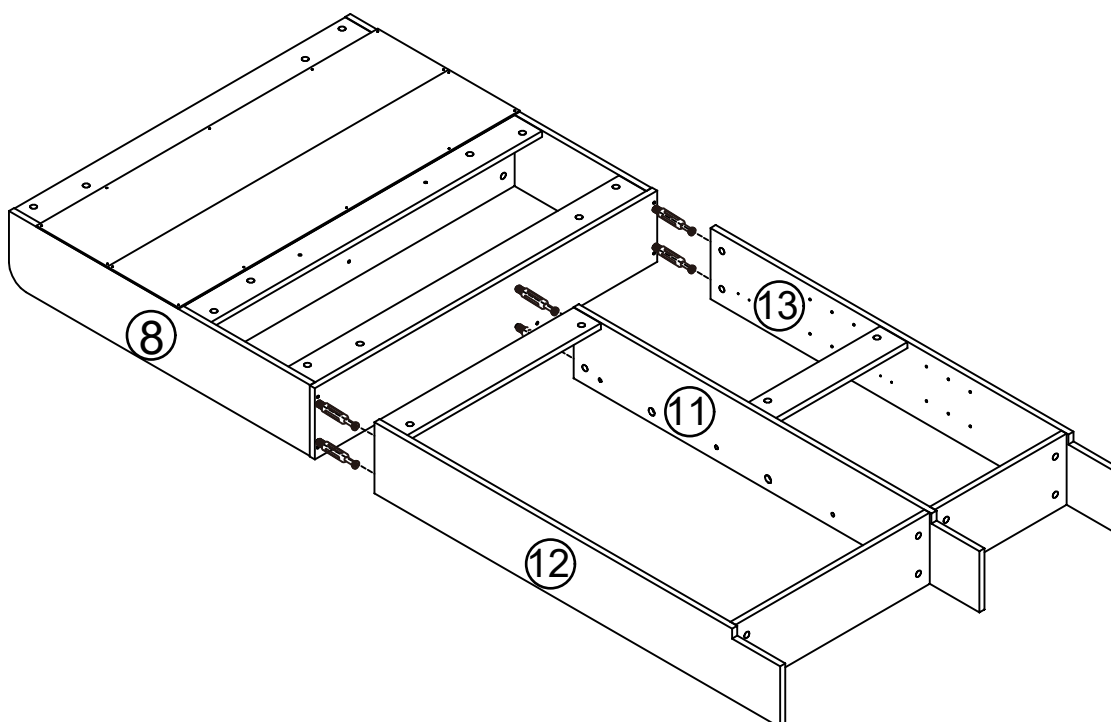
8\*30mm Dowel x 1

# Assembly Instructions

## Step 17

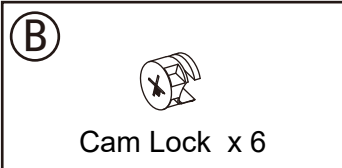
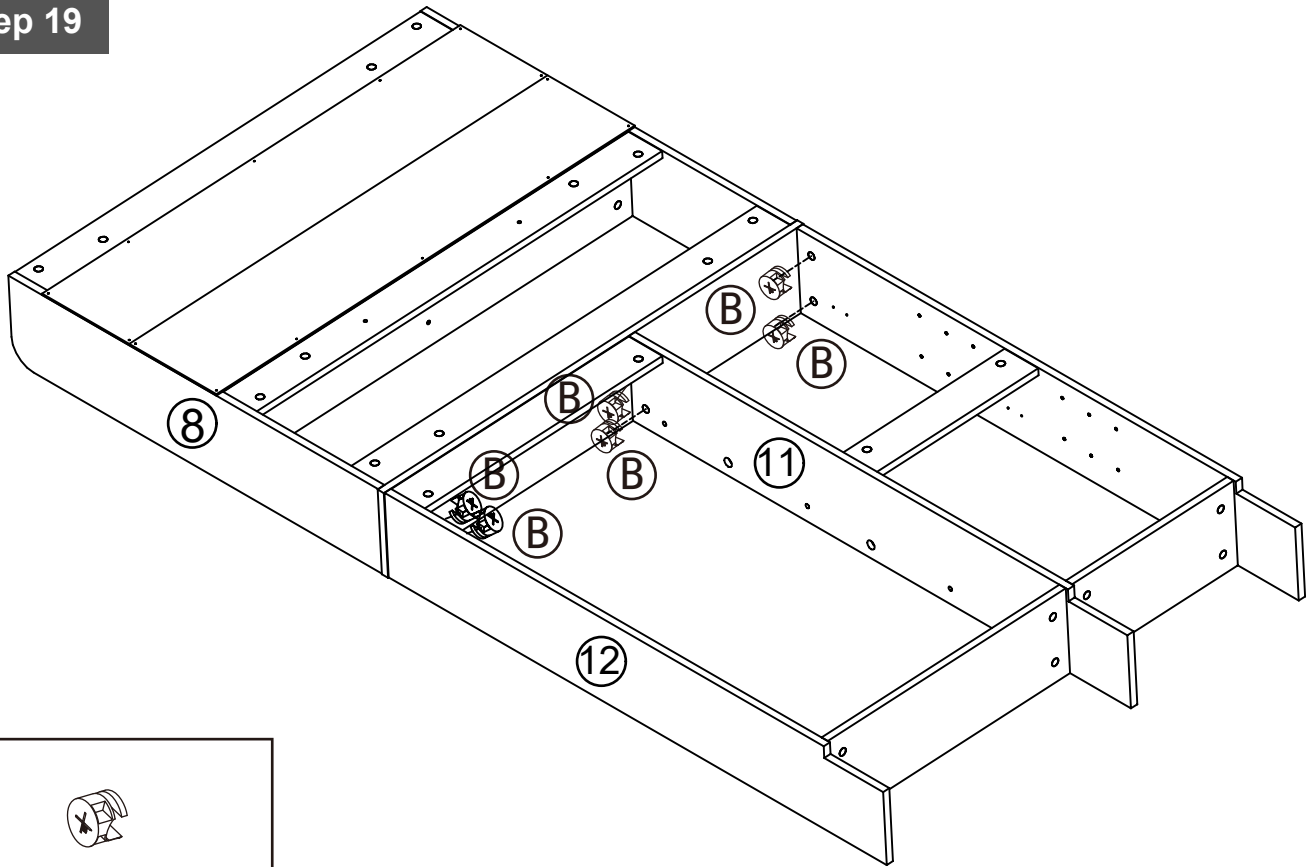


## Step 18

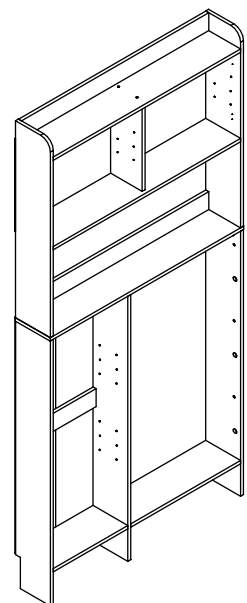
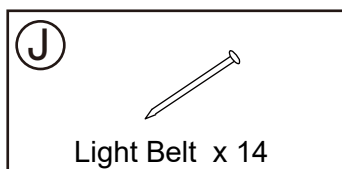
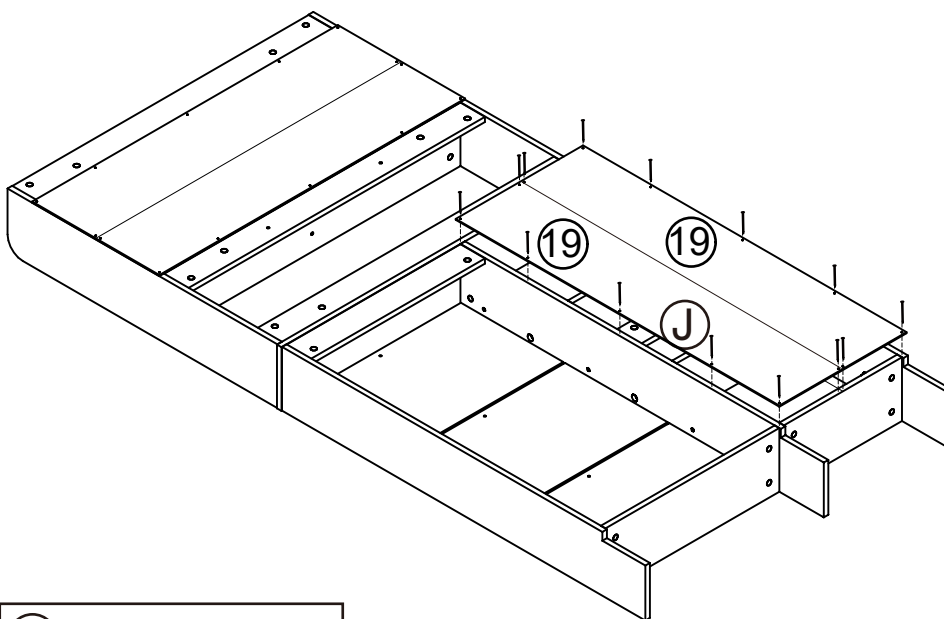


# Assembly Instructions

## Step 19



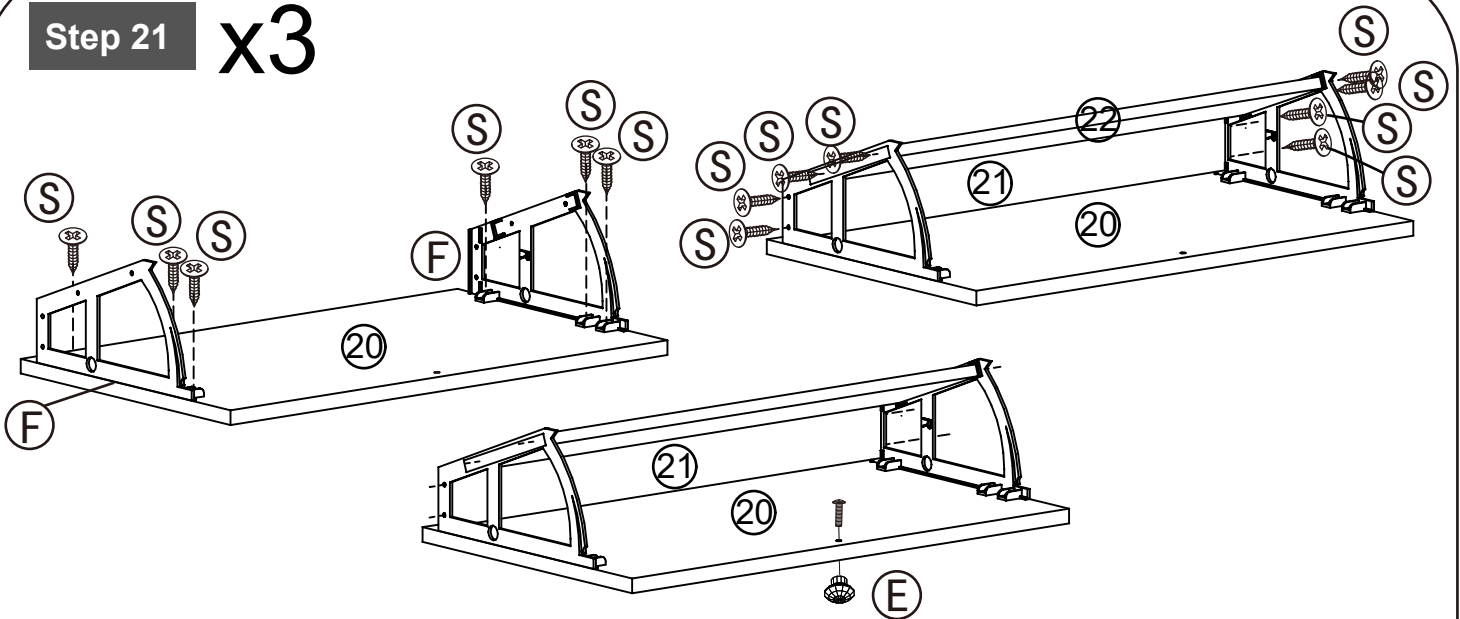
## Step 20



Please pay attention to safety when standing up the cabinet

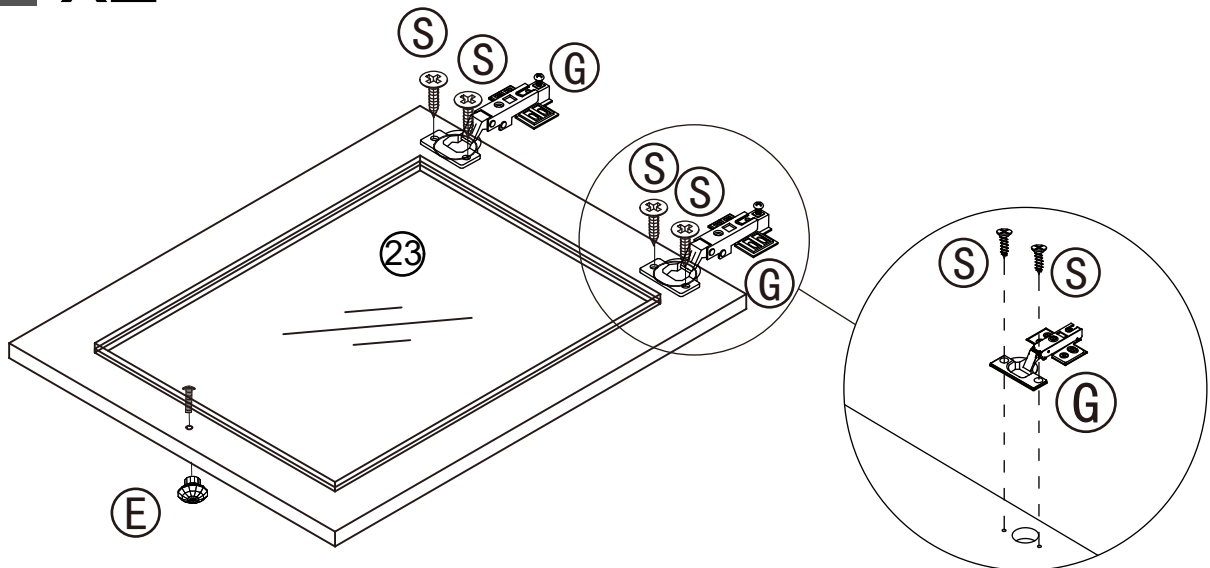
# Assembly Instructions

## Step 21 x3



<p>(E) Shake hands x 3</p>	<p>(F) Tipping shoe rack x 3</p>	<p>(S) 3.5*14mm Screw x 42</p>
----------------------------	----------------------------------	--------------------------------

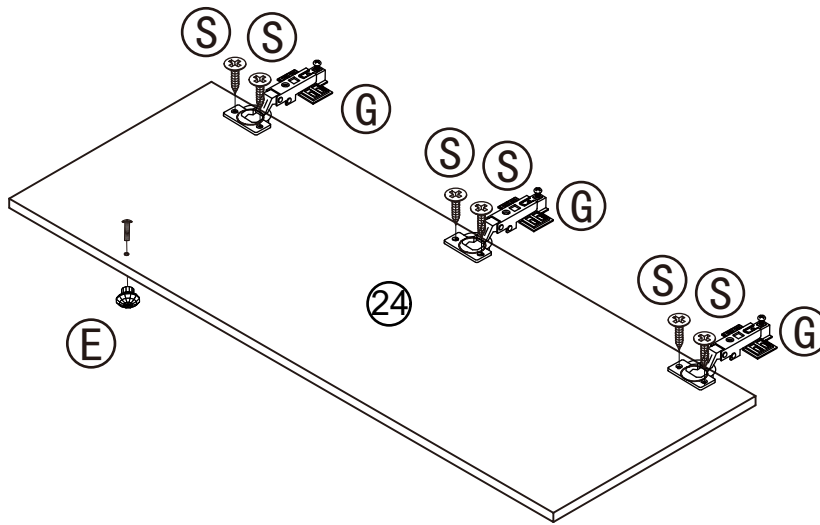
## Step 22 x2

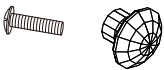
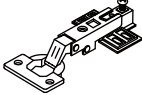



<p>(E) Shake hands x 2</p>	<p>(G) Hinge x 4</p>	<p>(S) 3.5*14mm Screw x 8</p>
----------------------------	----------------------	-------------------------------

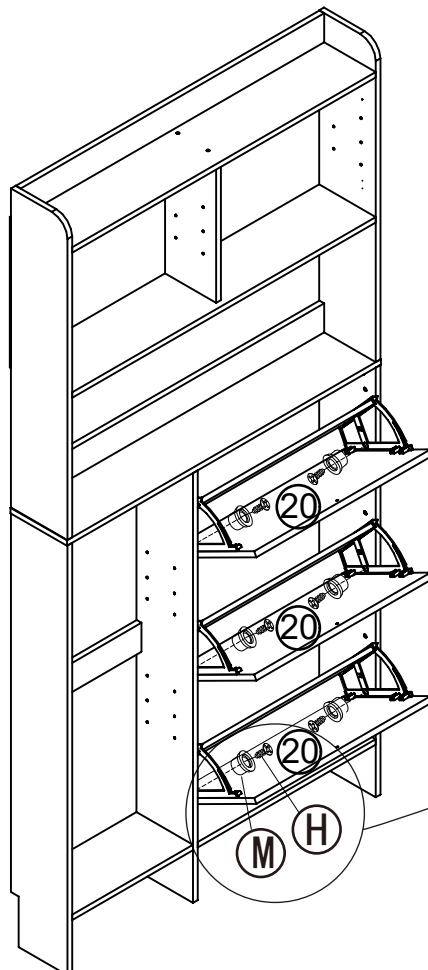
# Assembly Instructions

## Step 23





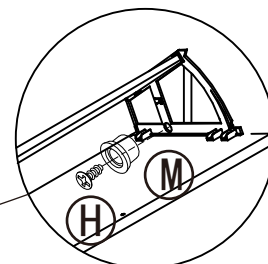
<p>(E)</p>  <p>Shake hands x 1</p>	<p>(G)</p>  <p>Hinge x 3</p>	<p>(S)</p>  <p>3.5*14mm Screw x 6</p>
---	--	--

## Step 24



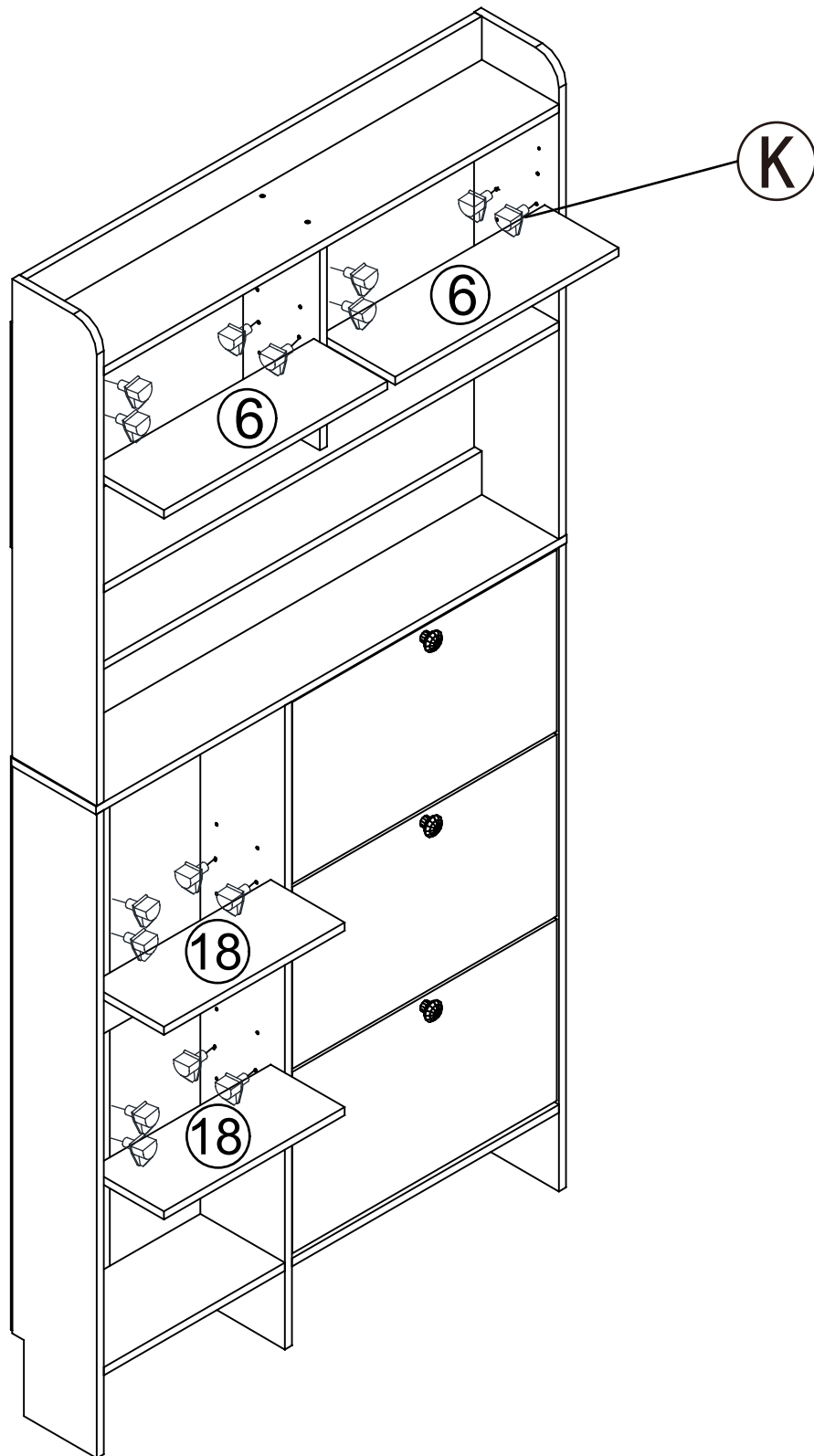
First connect “M” to the embedded N through the shoe frame, and then use “H” to fix the whole to the cabinet

<p>(M)</p>  <p>Shoe frame outer pivot x 6</p>	<p>(H)</p>  <p>4*11mm Screw x 6</p>
--	--



# Assembly Instructions

## Step 25



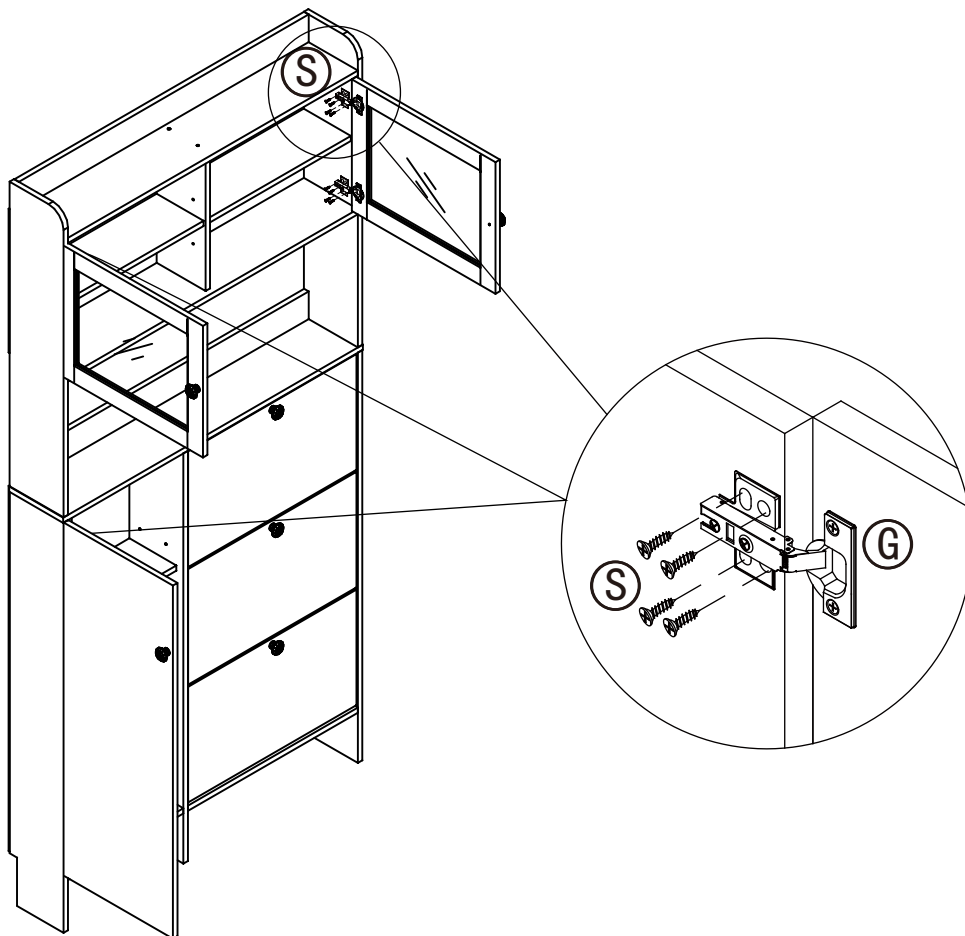
(K)



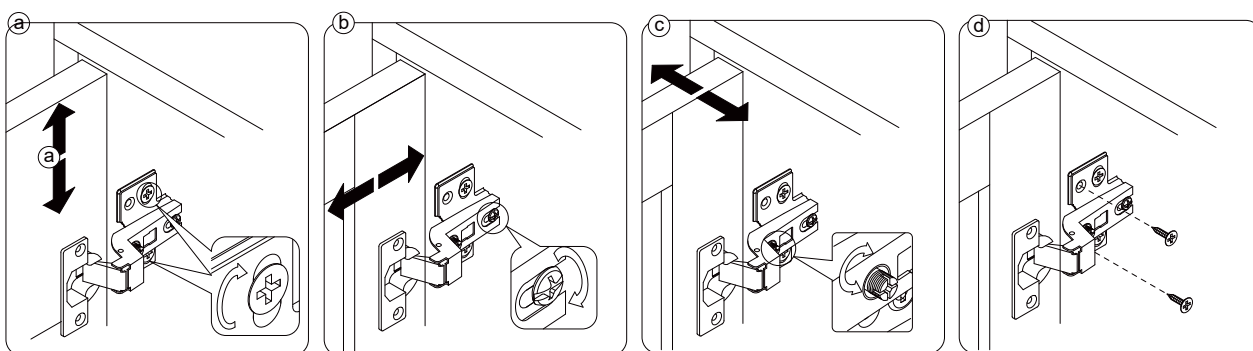
Bulkhead Pins x 16

# Assembly Instructions

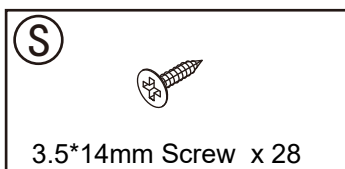
## Step 26



When the hinges are installed, you can refer to the pictures to adjust crevice of the doors till it's perfect:

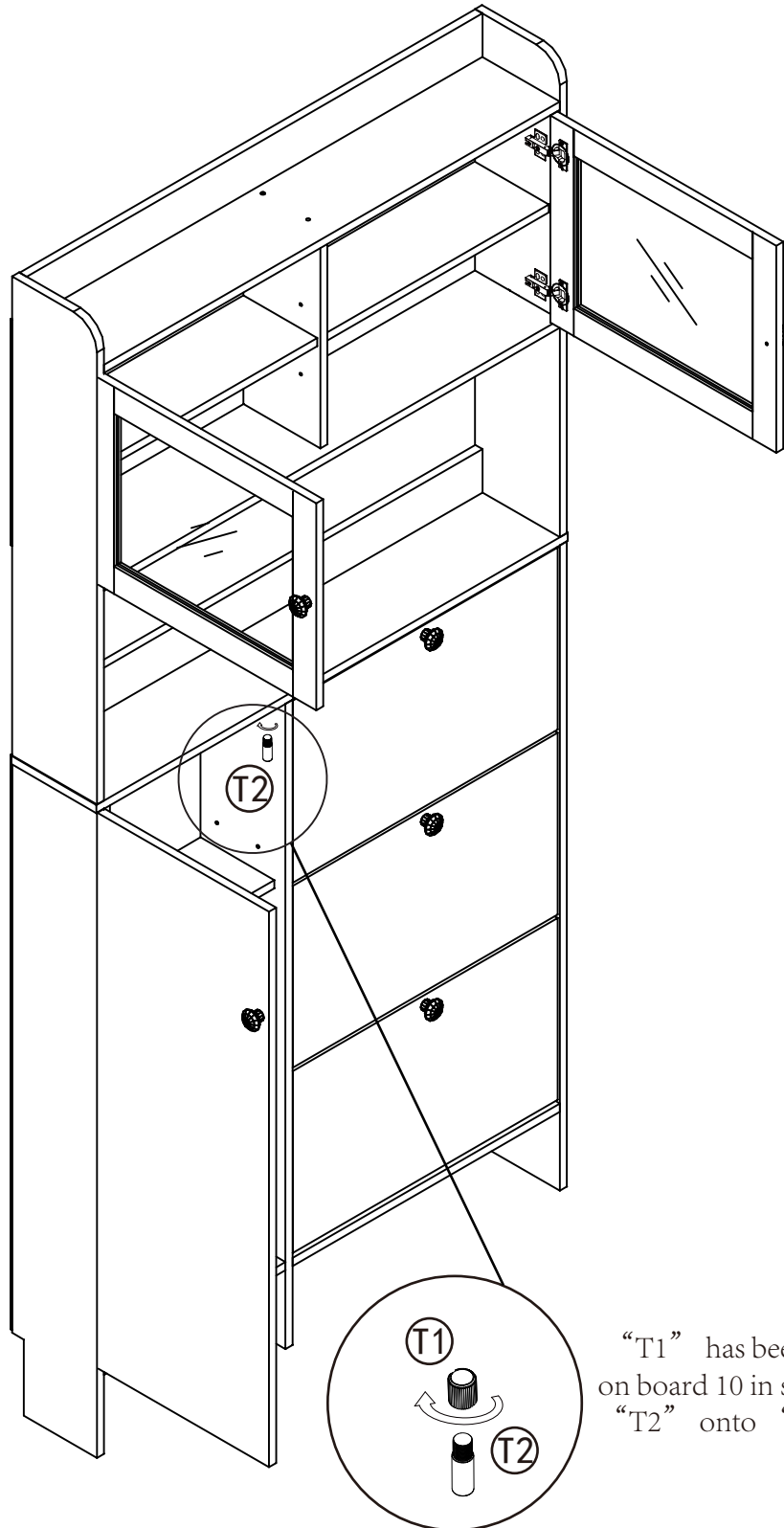


1. To adjust the doors up and down, please refer to step (a)
2. To adjust the distance between the doors and side panels, please refer to step (b)
3. To adjust the gap between two doors, please refer to step (c)
4. After the adjustment finished, please tight the screws, refer to step (d)

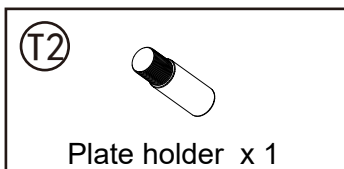


# Assembly Instructions

## Step 27



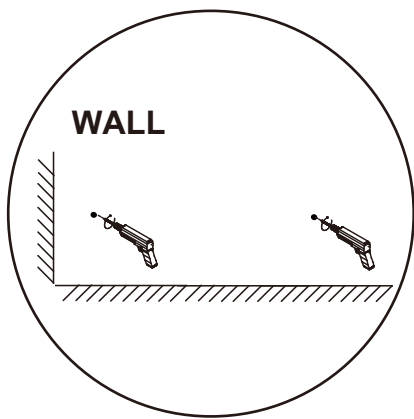
“T1” has been pre embedded on board 10 in step 12, Screw “T2” onto “T1”



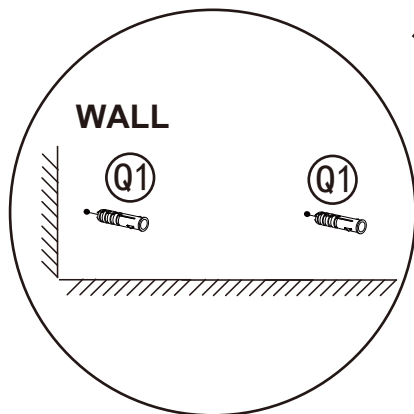
# Assembly Instructions

## Step 28

1. Drill two holes with a depth greater than 45mm on the wall using an electric drill (measure the actual distance between the two holes in step 3)

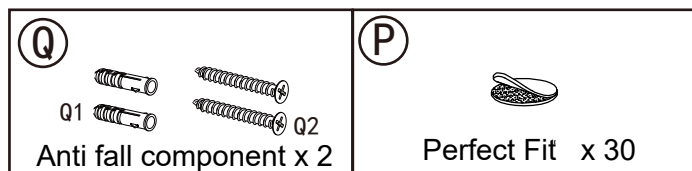
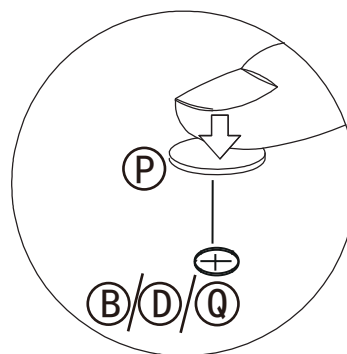
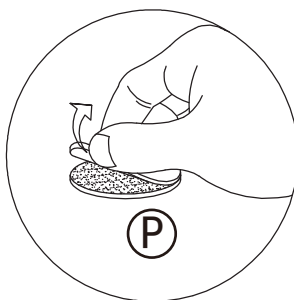
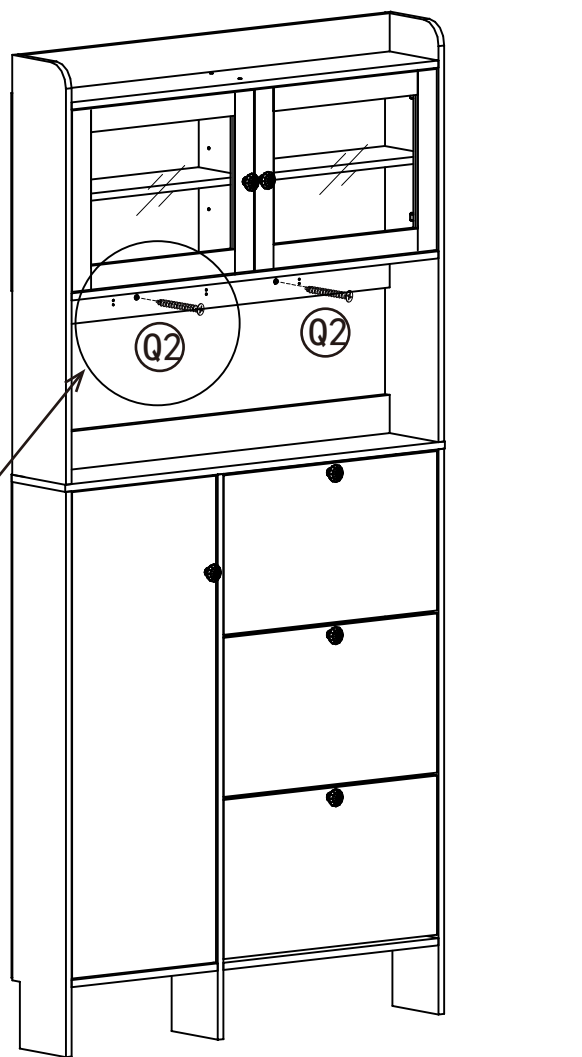


2. Place "Q" 1 into the two holes in the step 1



3. Align the holes on "Q2" with the two holes opened in the step 1, and fix the cabinet body to the wall

**WALL**



# Assembly Instructions

