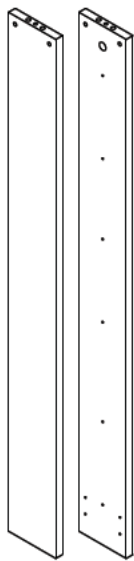


Ax4



Bx4



Cx2



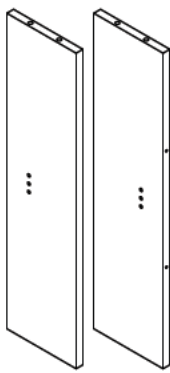
Dx26



Ex2



Fx6



Gx3



Hx4



Ix2



M8x  $\frac{35}{1.5}$   
Jx12



M6x  $\frac{40}{1.6}$   
Kx6



M8x  $\frac{50}{2.0}$   
Lx6



Mx4



Nx2



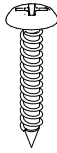
Ox2



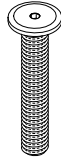
Px2



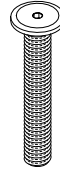
Qx16



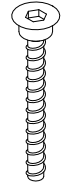
Rx144



M6x  $\frac{30}{1.2}$   
Sx4



M6x  $\frac{35}{1.4}$   
Tx4



Ux34



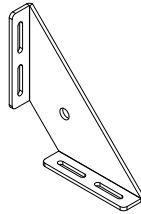
Vx8



Wx1



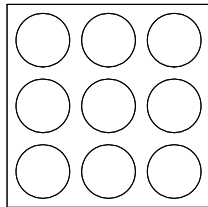
Xx2



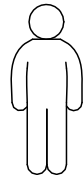
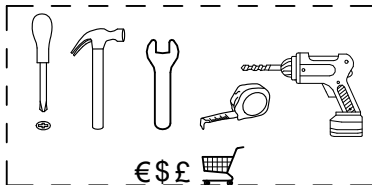
Yx4



Zx1



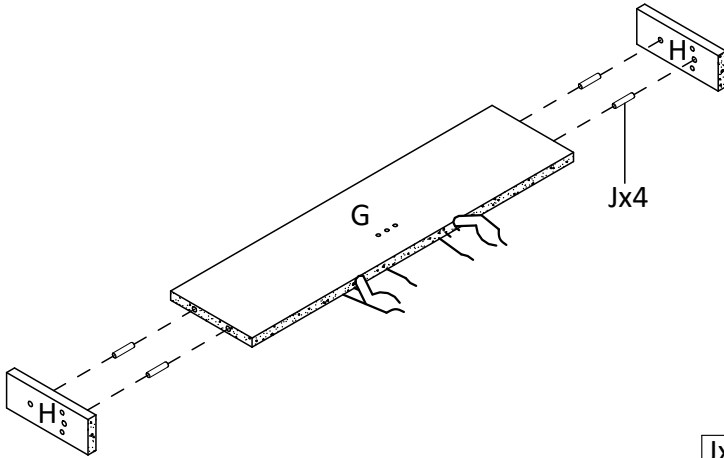
AAx5




mm  
inch

x3

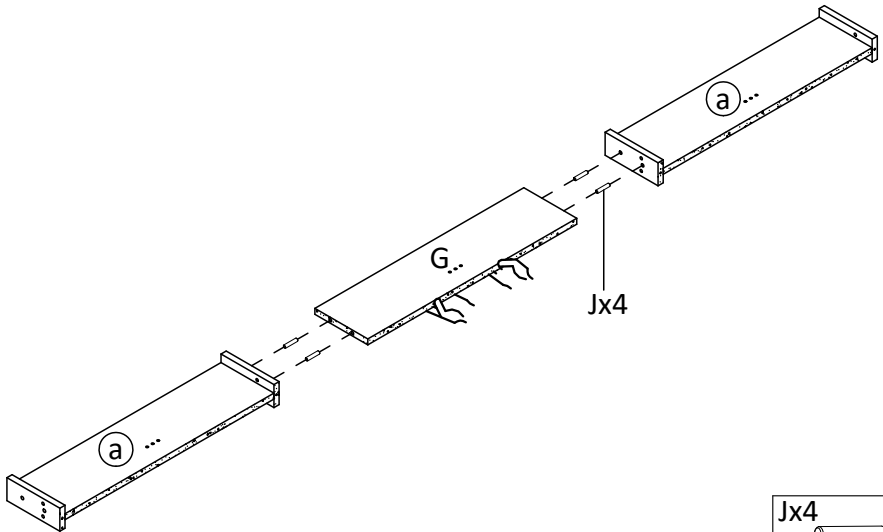
① x2

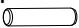


Ⓐ

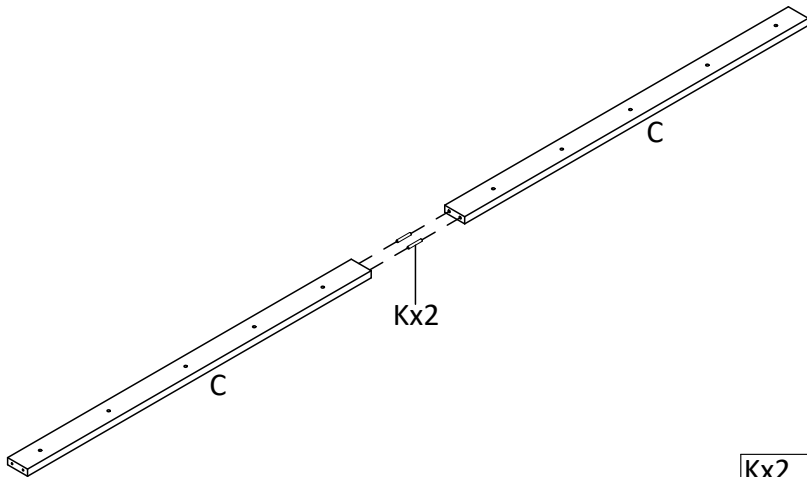
Jx8  
  
M8x  $\frac{35}{1.4}$

②




Jx4  
  
M8x  $\frac{35}{1.4}$

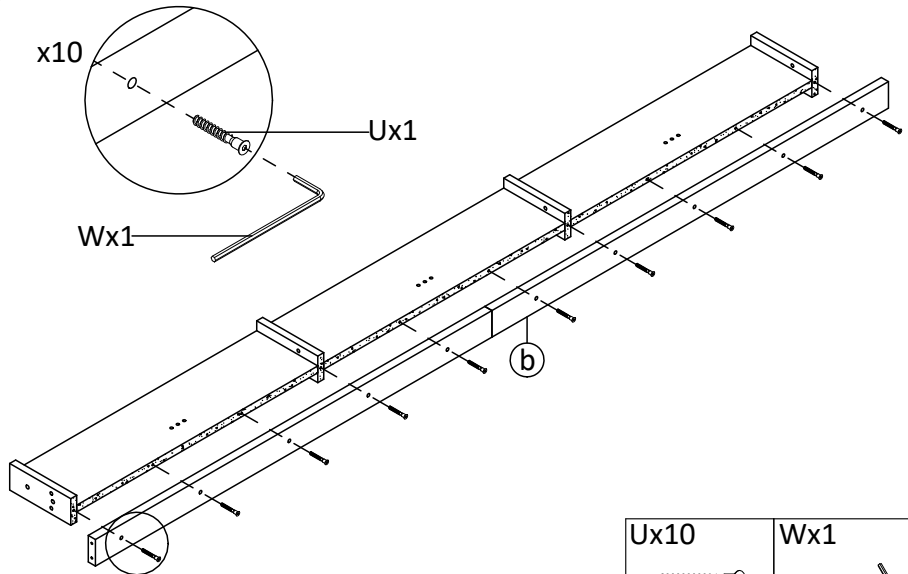
3

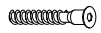



(b)

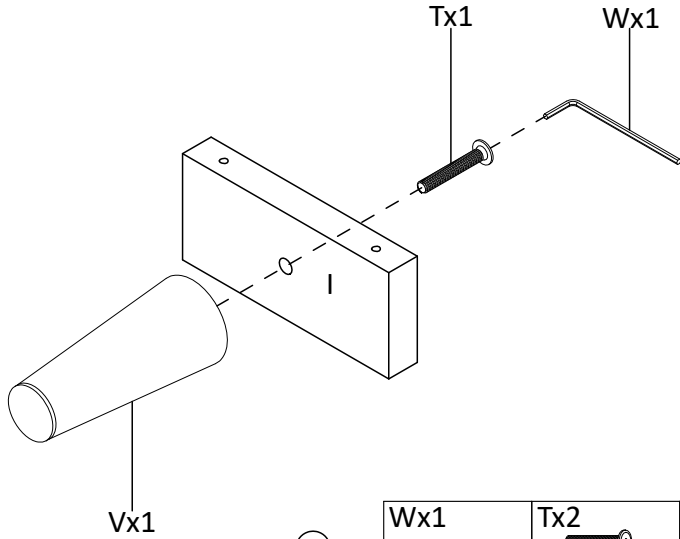
Kx2

M6x $\frac{40}{1.6}$




4



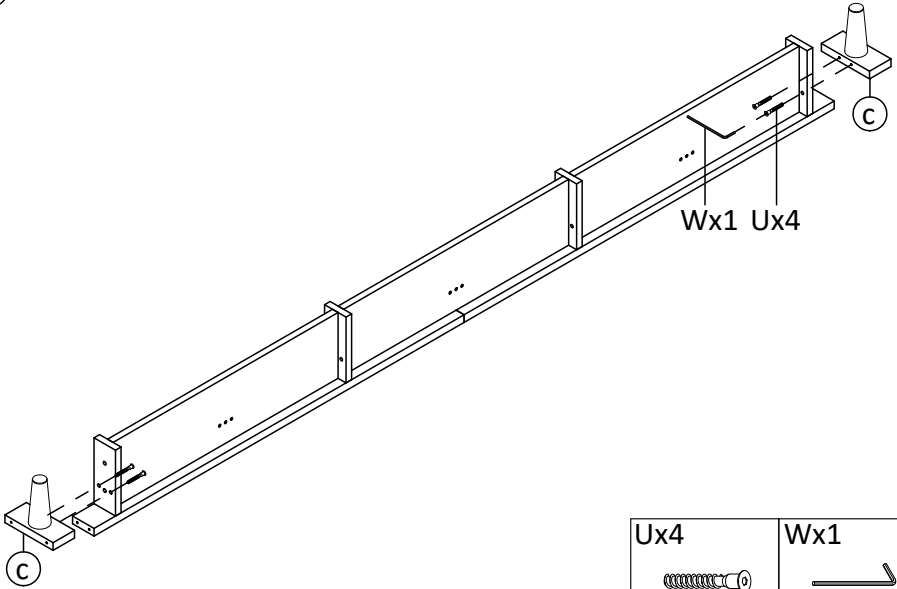
Ux10	Wx1
	



⑤ x2



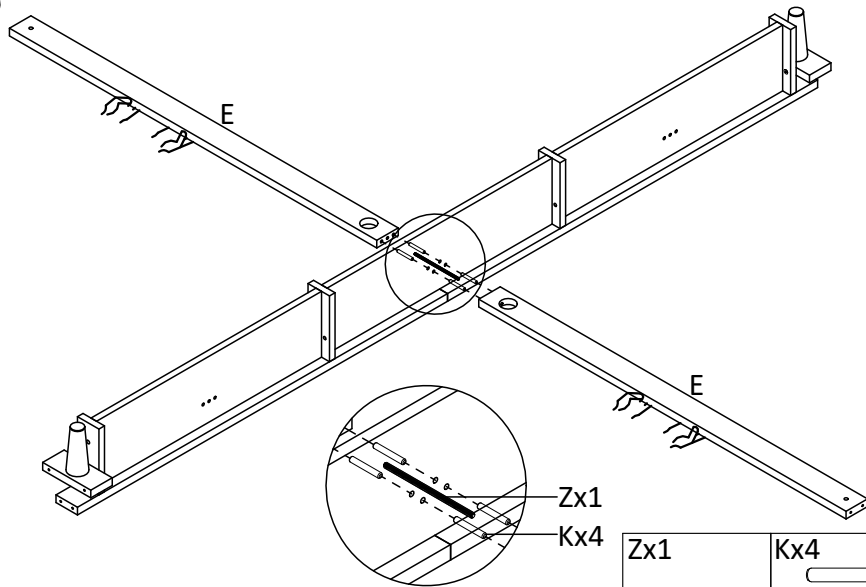
Wx1 	Tx2  M6x $\frac{35}{1.4}$	Vx2 
--	--	---

⑥



Ux4 	Wx1 
--	---

7



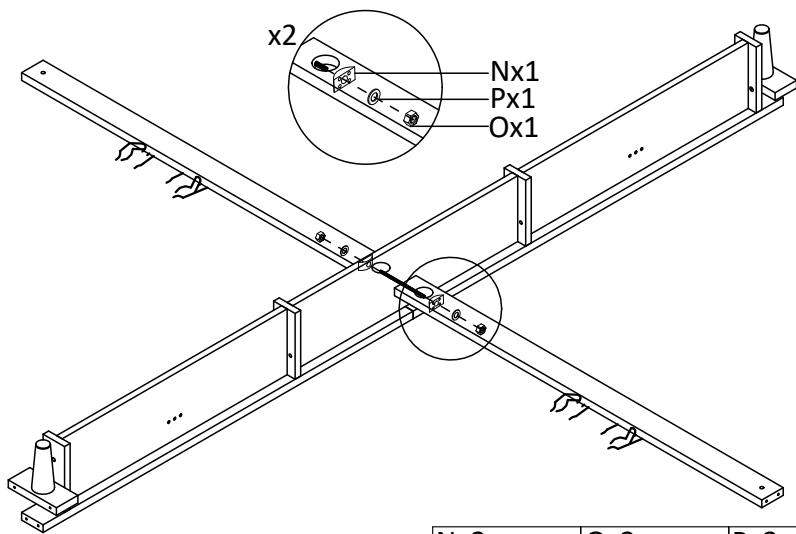
Zx1



Kx4

M6x  $\frac{40}{1.6}$

8



x2

Nx1

Px1

Ox1

Nx2



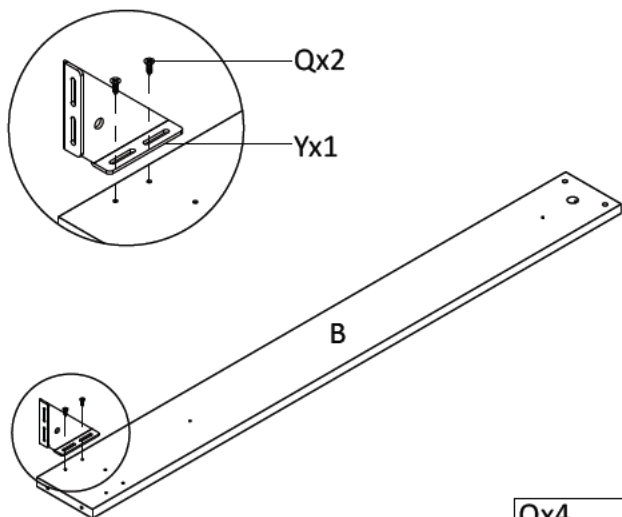
Ox2



Px2



9 x2



d

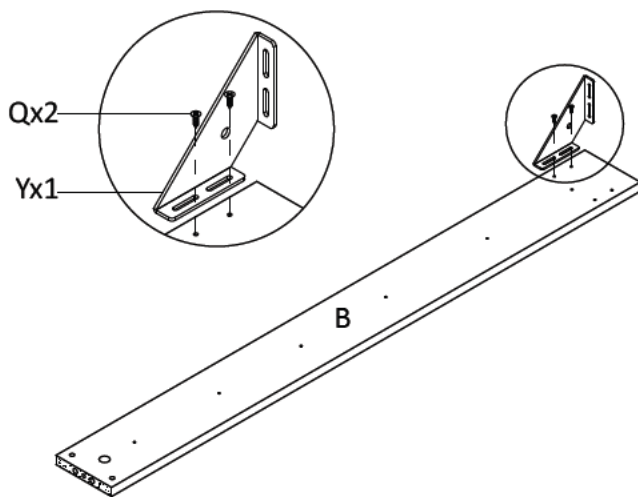
Qx4



Yx2



10 x2



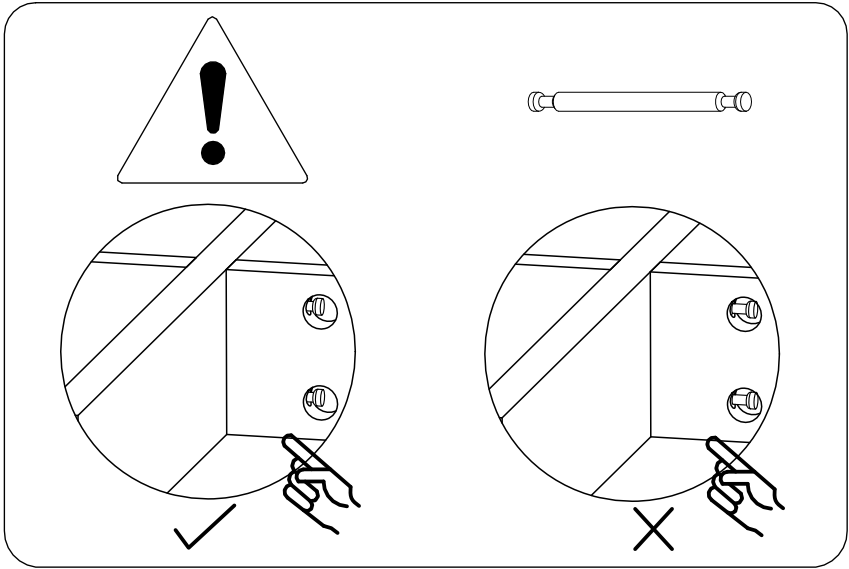
e

Qx4

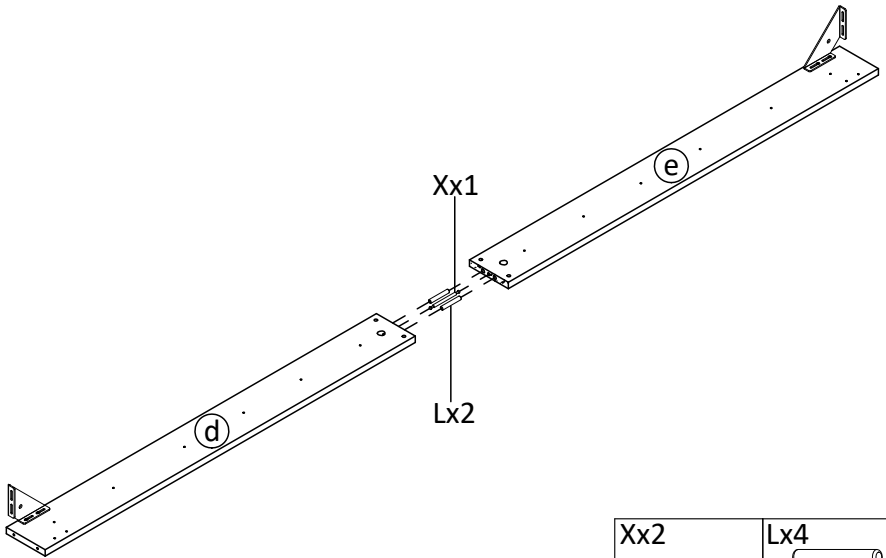




Yx2

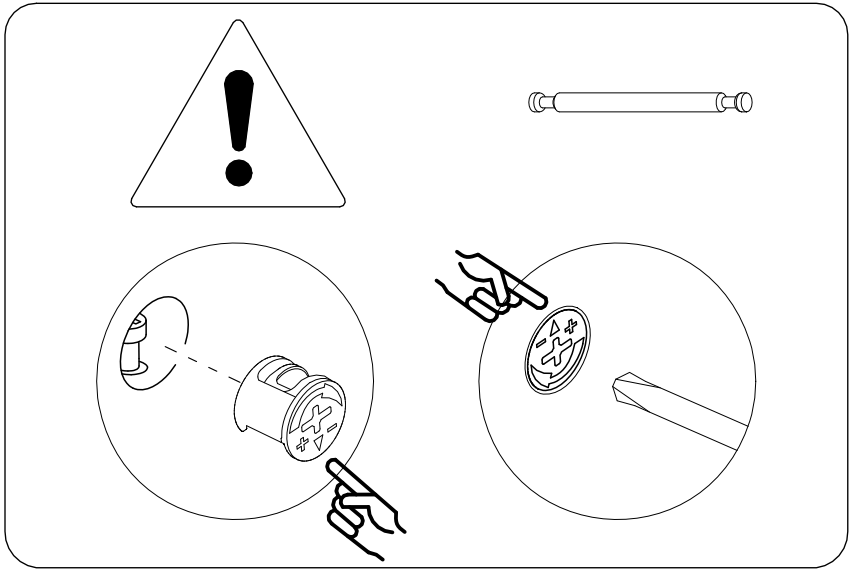




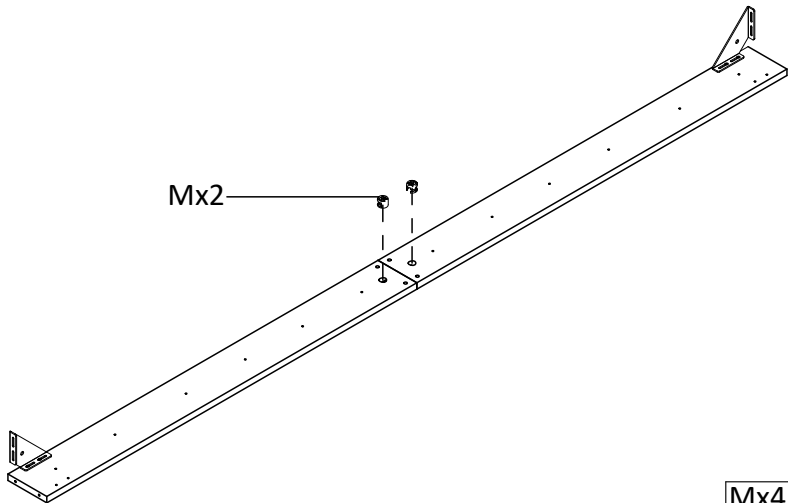
11 x2



Xx2	Lx4
	 50 M8x- 2.0



12 x2

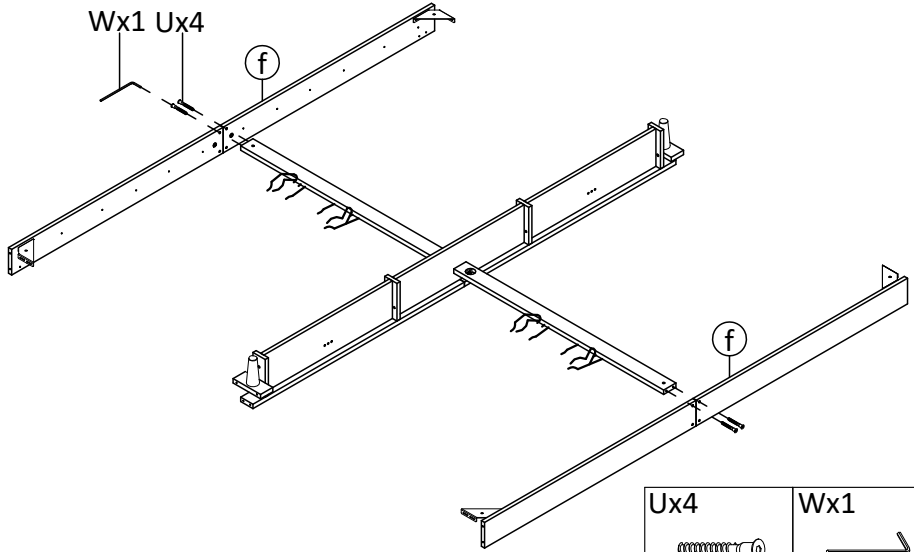


f

Mx4

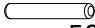


13

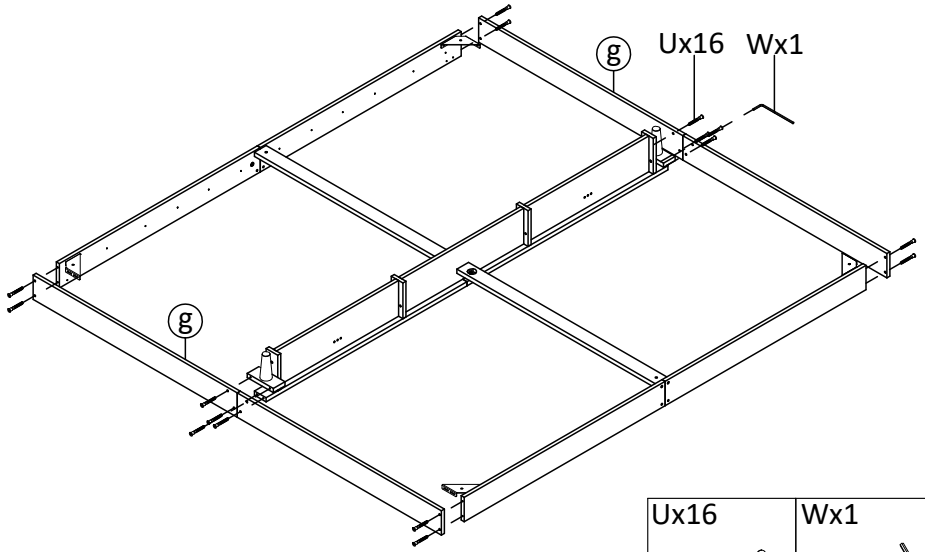


14 x2



Lx2

M8x $\frac{50}{2.0}$

15



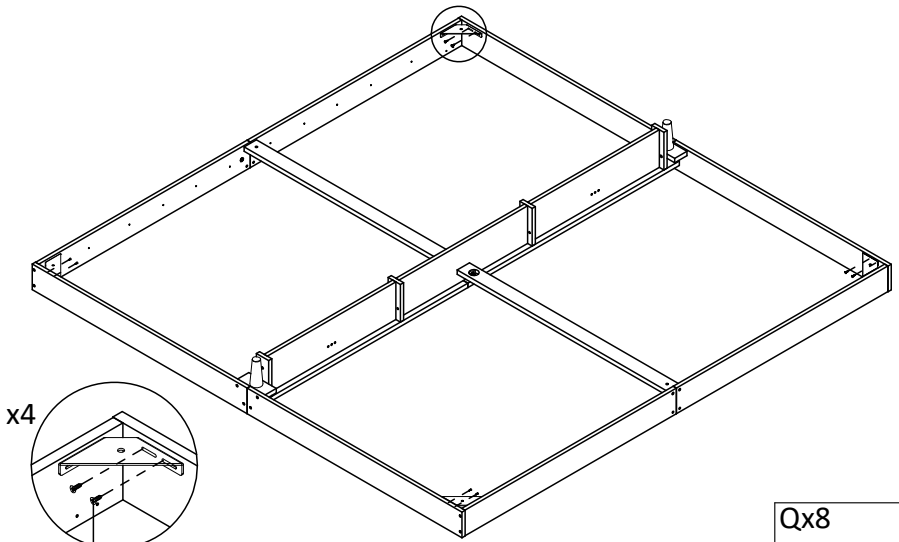
Ux16



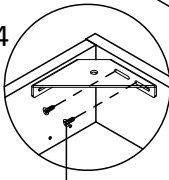
Wx1



16



x4

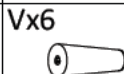
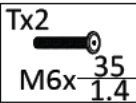
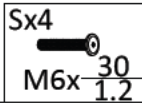
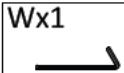
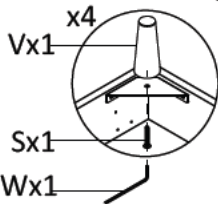
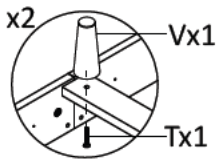
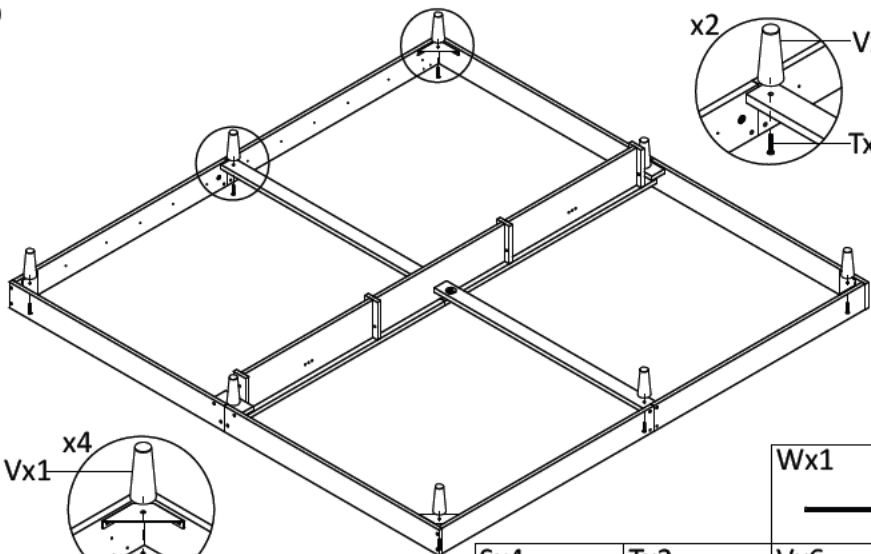


Qx2

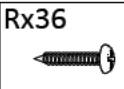
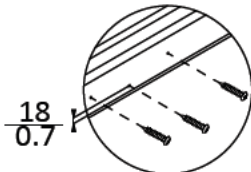
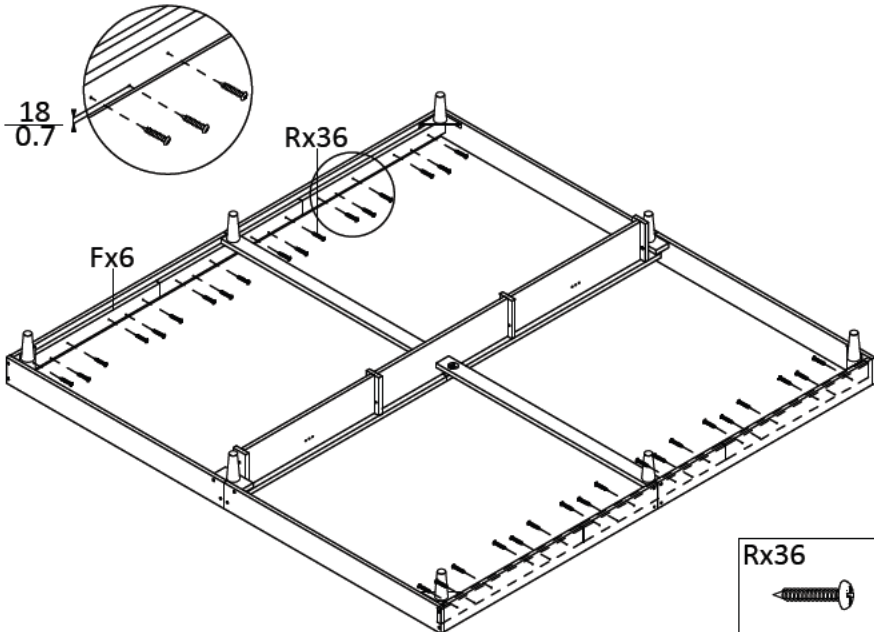
Qx8



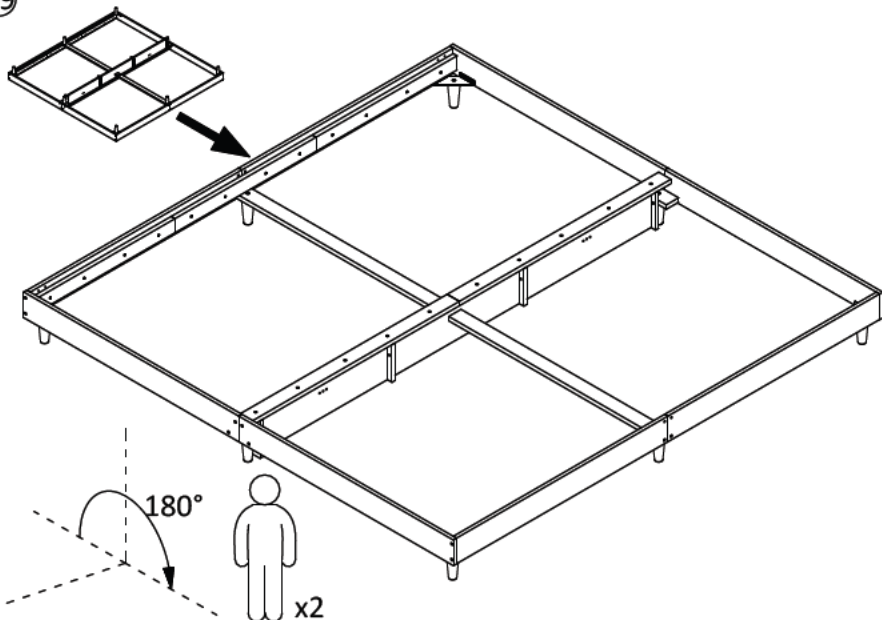
17



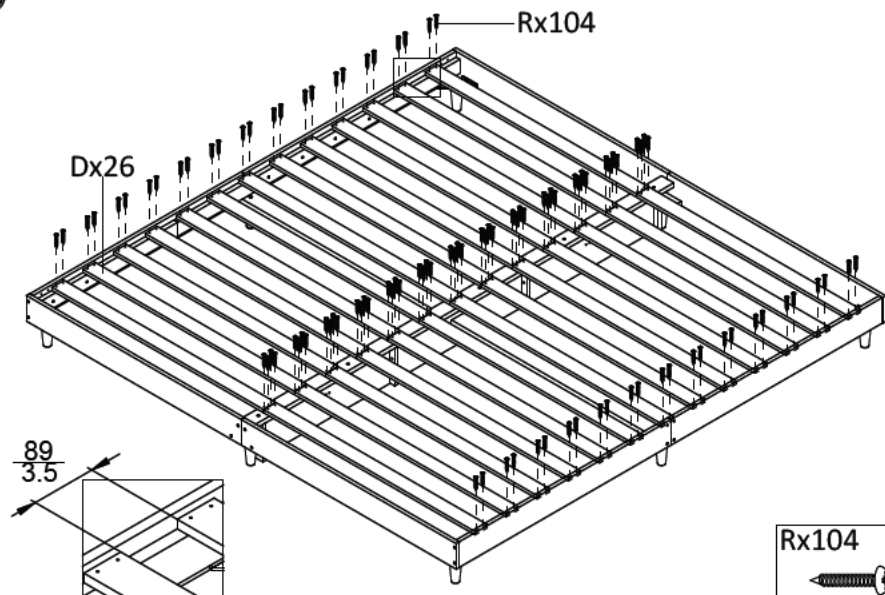
18



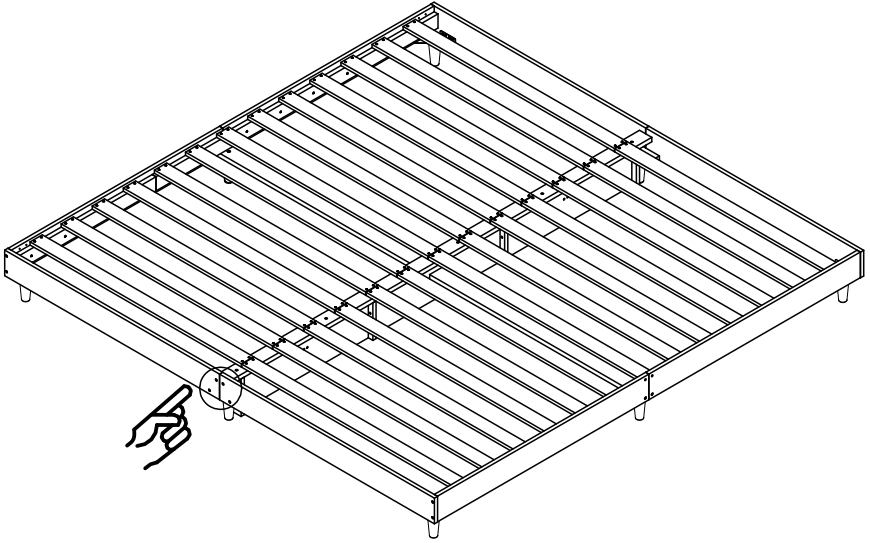
19



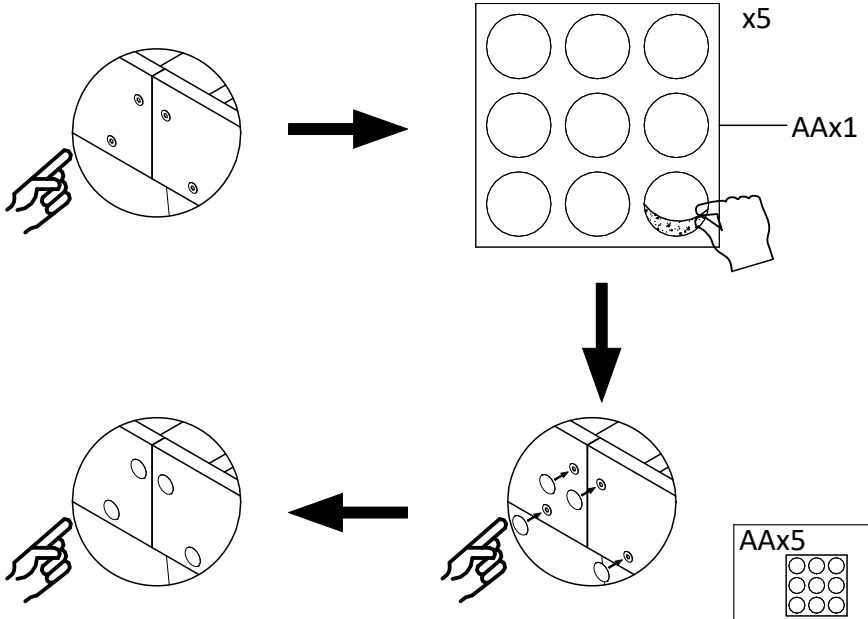
20



21



22



23

