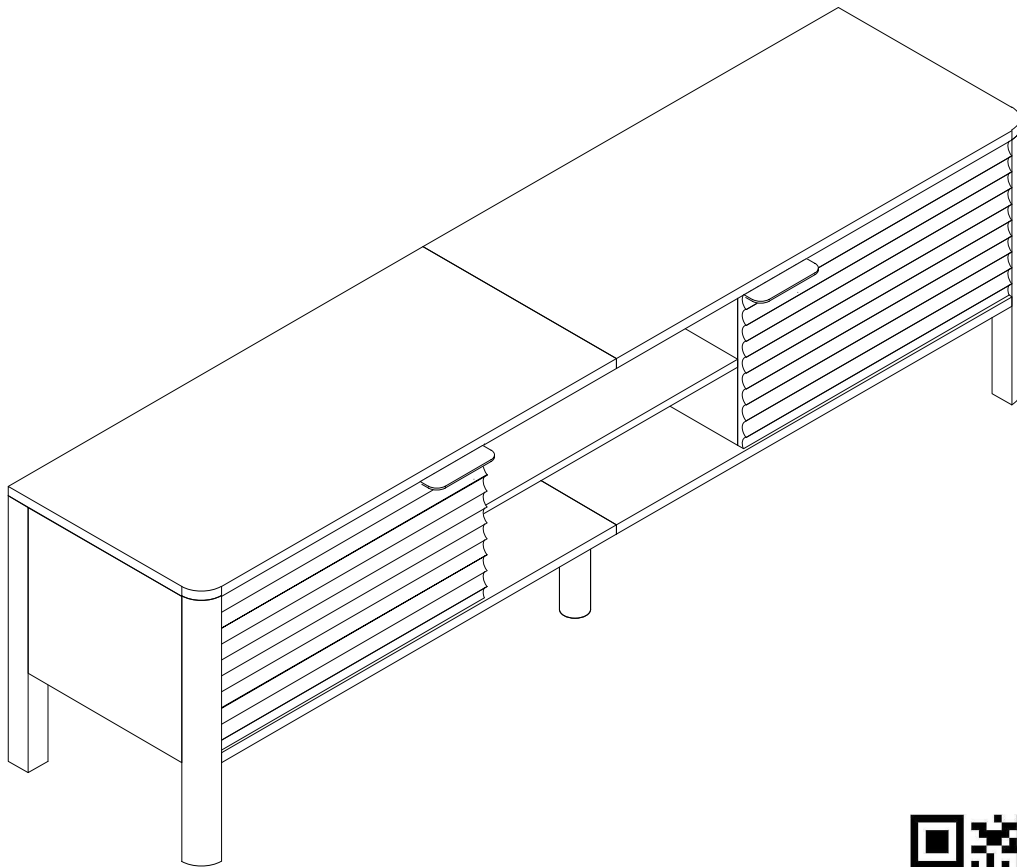


Instruction Manual



INSTALL TUTORIAL
PLEASE SCAN THIS CODE

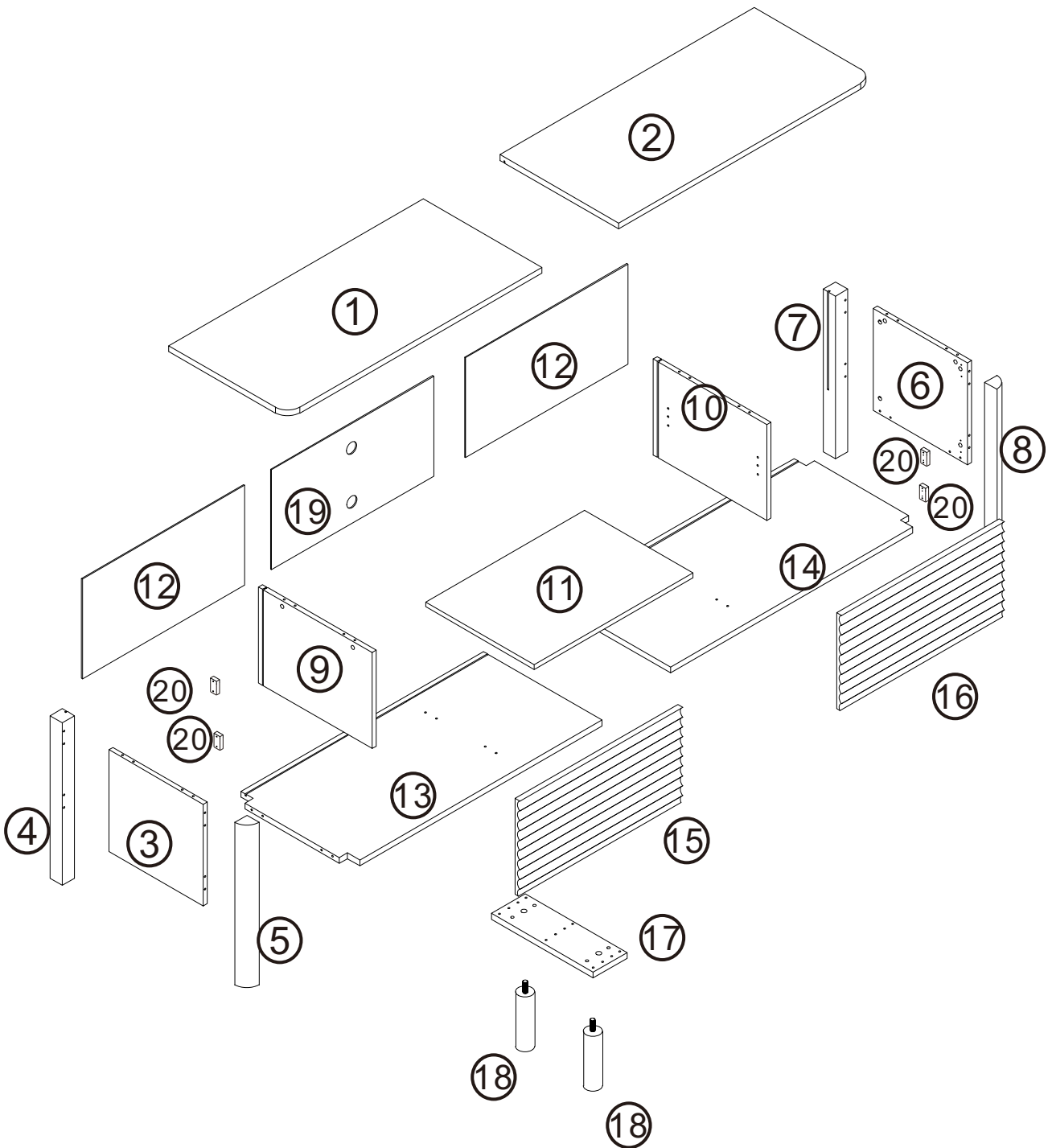
Contact Us

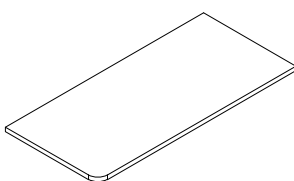
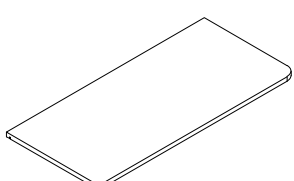
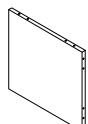


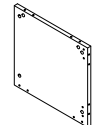


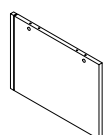
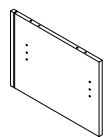
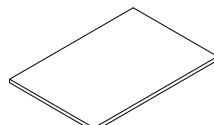
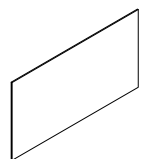
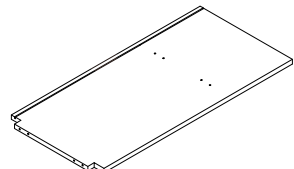
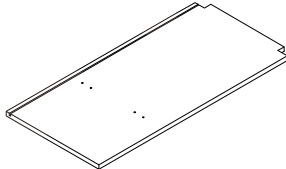
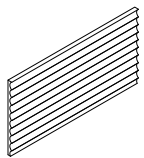
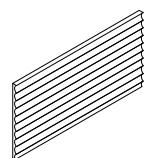
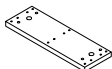

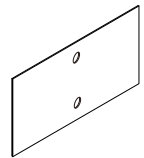
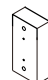
Should you encounter any issues or have any inquiries while using our product, please feel free to reach out to our customer service team. We are dedicated to providing you with support and assistance.



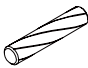
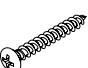


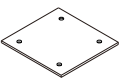
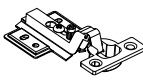


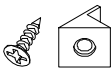
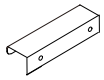

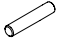
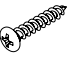


We look forward to hearing from you and will respond promptly to each of your emails. Thank you for choosing our product!

Important Notes:

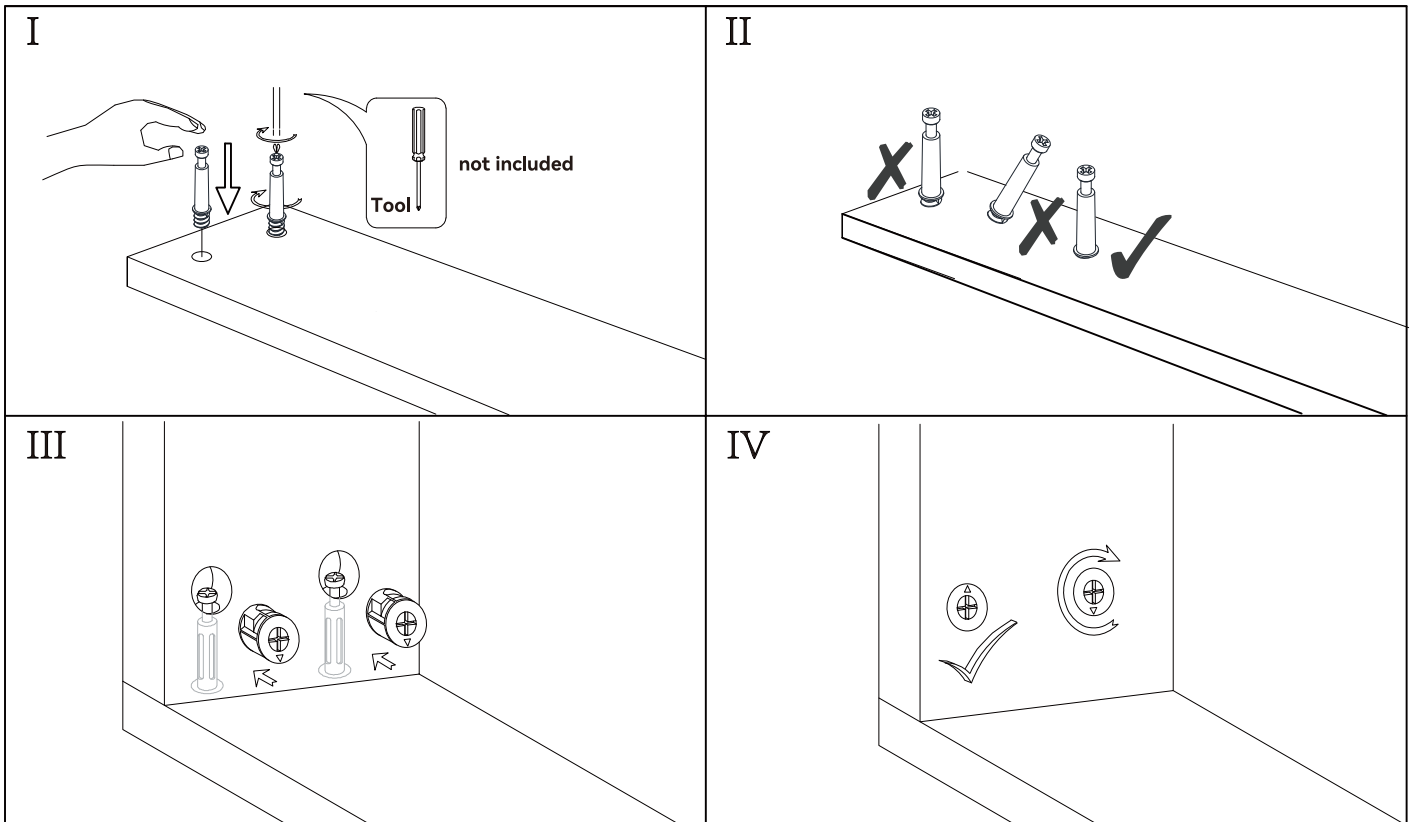
- Carefully remove all parts from the box and place them individually on a flat surface to prevent scratches or other damage.
- Follow these assembly and installation instructions strictly to ensure the product is assembled as intended.



<p>①</p>  <p>x1</p>	<p>②</p>  <p>x1</p>	<p>③</p>  <p>x1</p>
<p>④</p>  <p>x1</p>	<p>⑤</p>  <p>x1</p>	<p>⑥</p>  <p>x1</p>
<p>⑦</p>  <p>x1</p>	<p>⑧</p>  <p>x1</p>	<p>⑨</p>  <p>x1</p>
<p>⑩</p>  <p>x1</p>	<p>⑪</p>  <p>x1</p>	<p>⑫</p>  <p>x2</p>
<p>⑬</p>  <p>x1</p>	<p>⑭</p>  <p>x1</p>	<p>⑮</p>  <p>x1</p>
<p>⑯</p>  <p>x1</p>	<p>⑰</p>  <p>x1</p>	<p>⑱</p>  <p>x2</p>
<p>⑲</p>  <p>x1</p>	<p>⑳</p>  <p>x4</p>	

					
Ax20	Bx20	Cx24	Dx8	Ex4	Fx8
					
Gx2	Hx4	Ix24	Jx2	Kx12	Lx2
					
Mx4	Nx4	Ox12	Px4	Qx4	

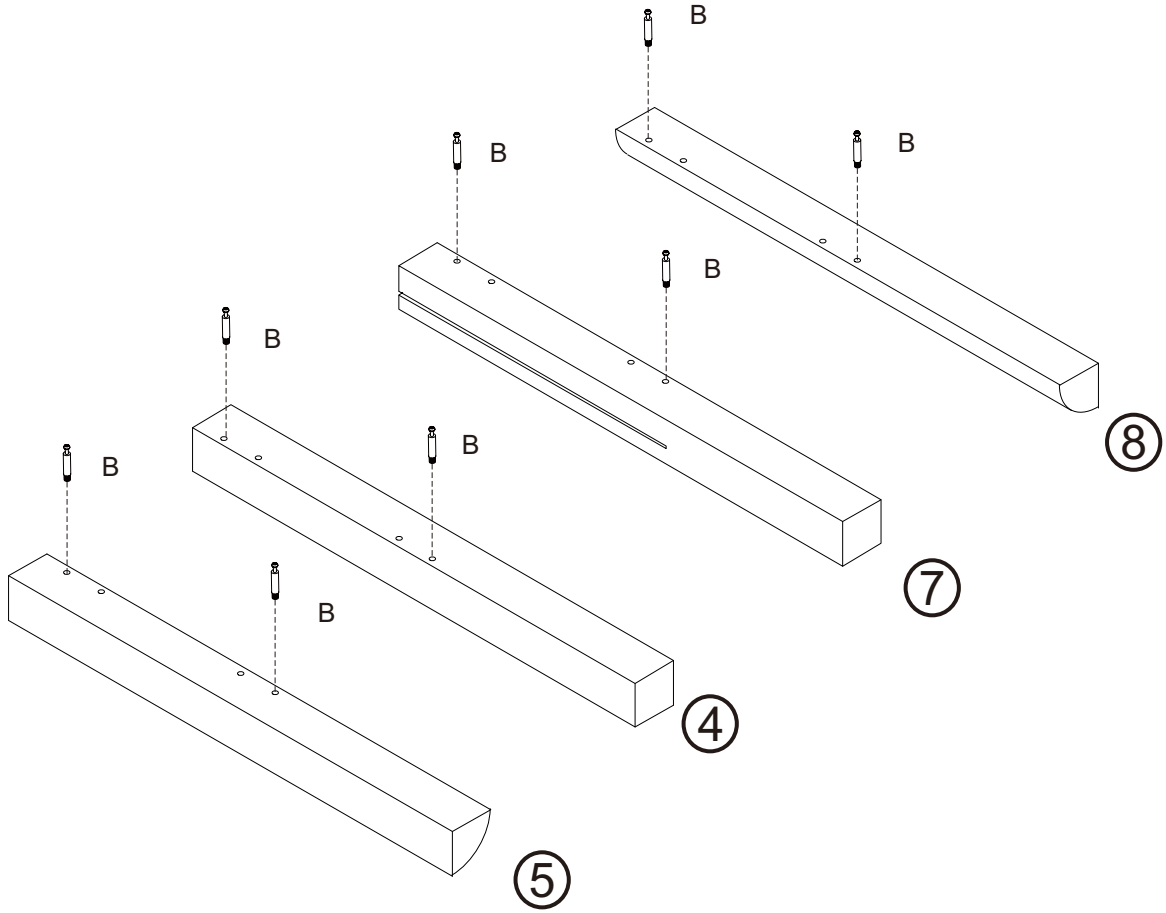
NOTED:



Step 1



Bx8



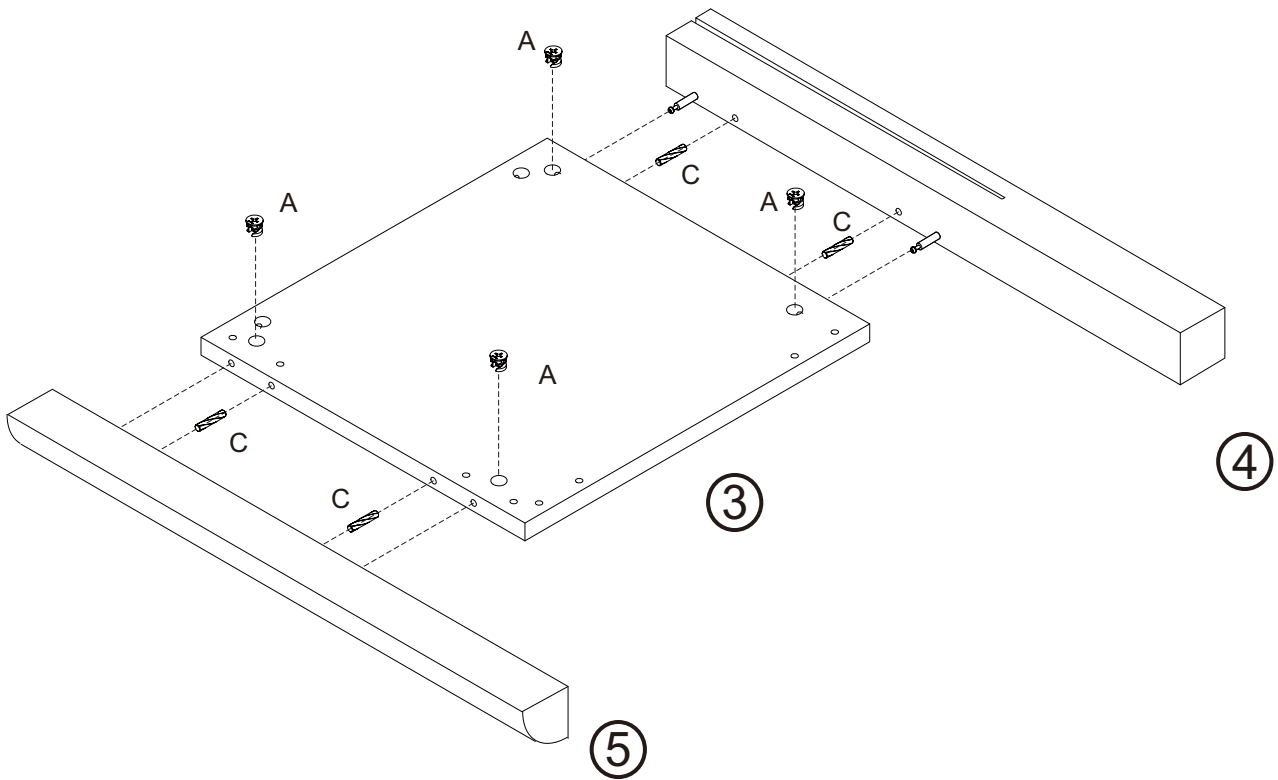
Step 2



Ax4

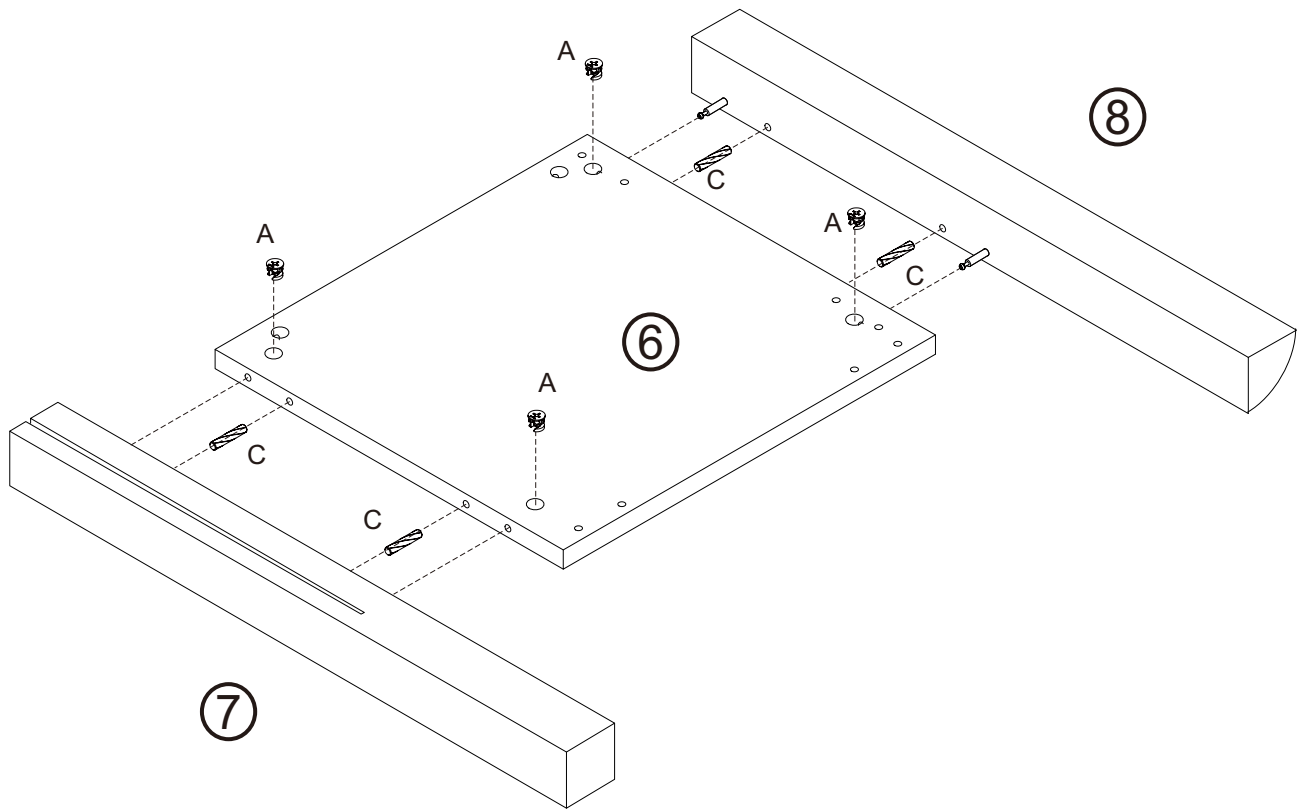


Cx4



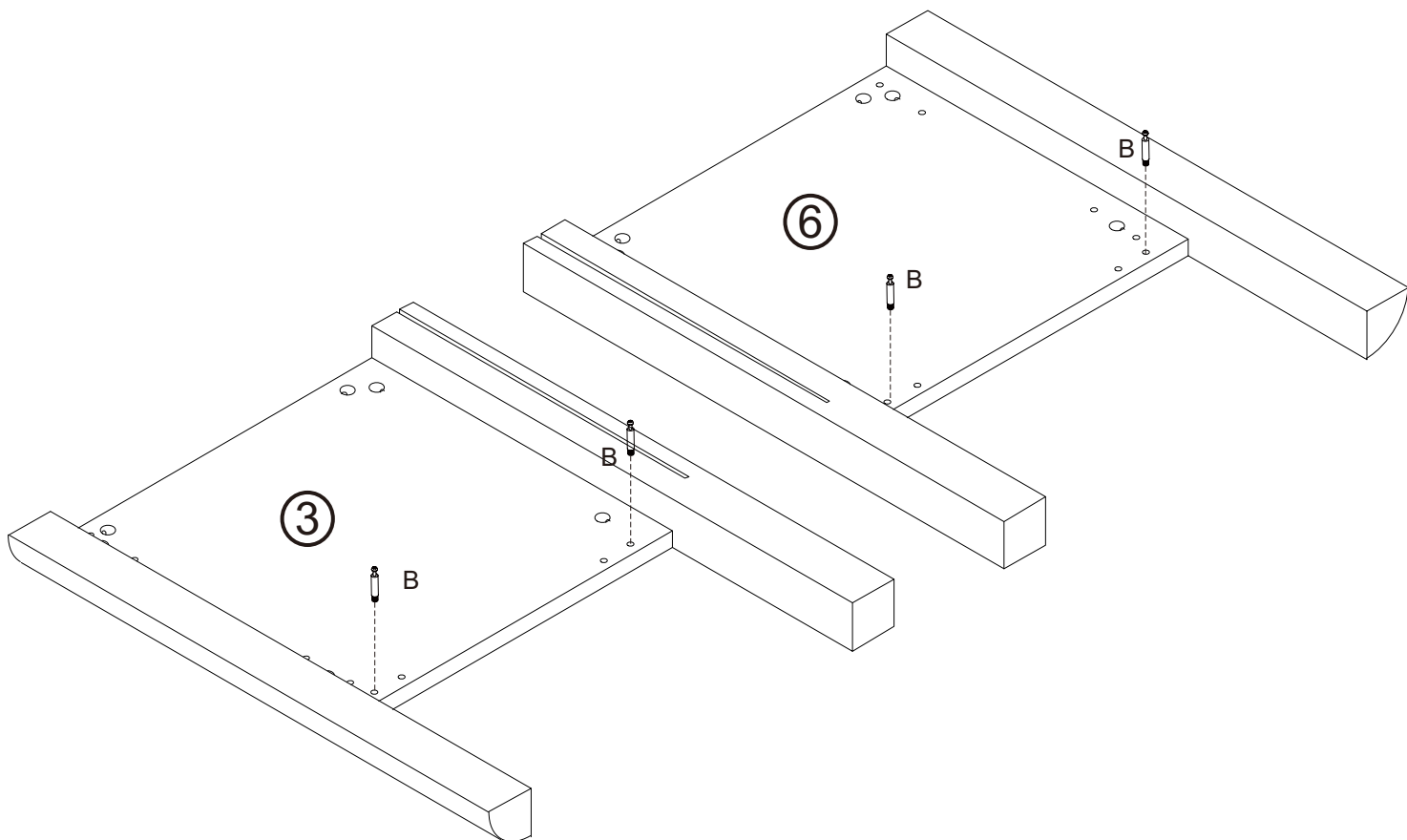
Step 3

	Ax4
	Cx4



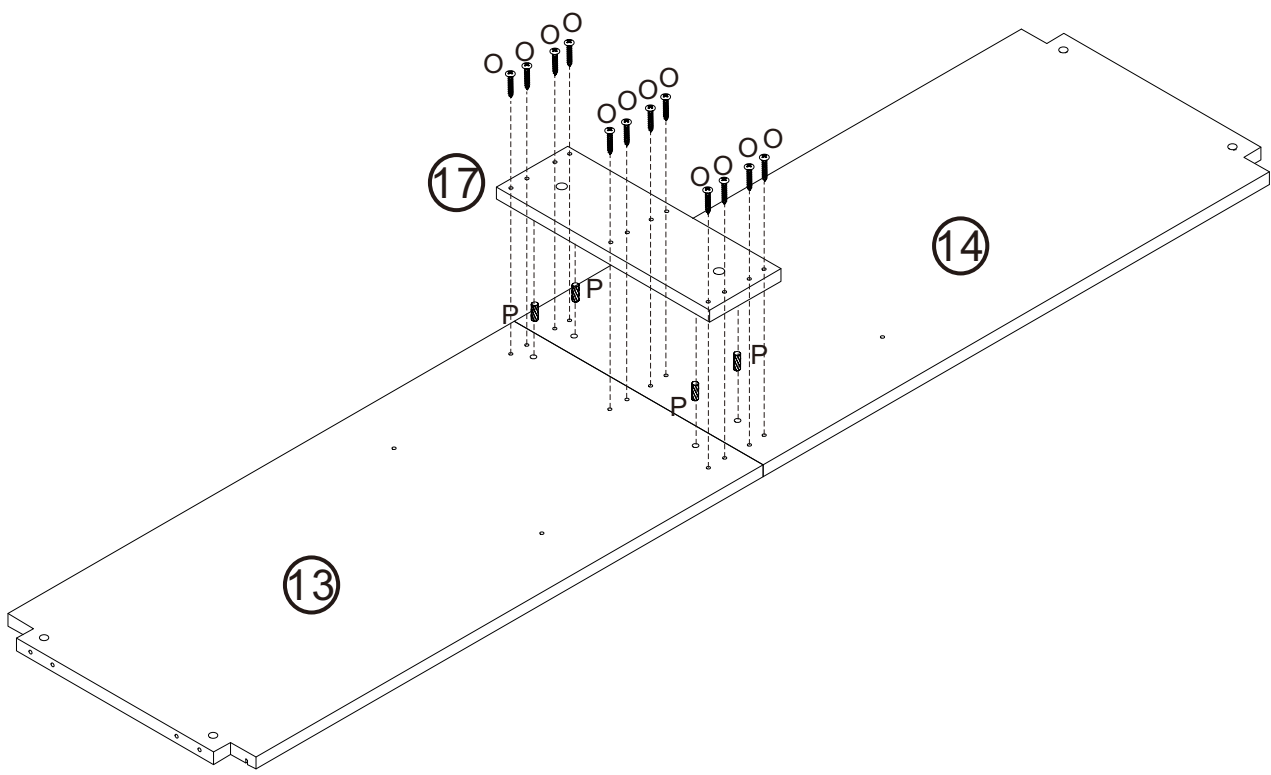
Step 4

	Bx4
---	-----



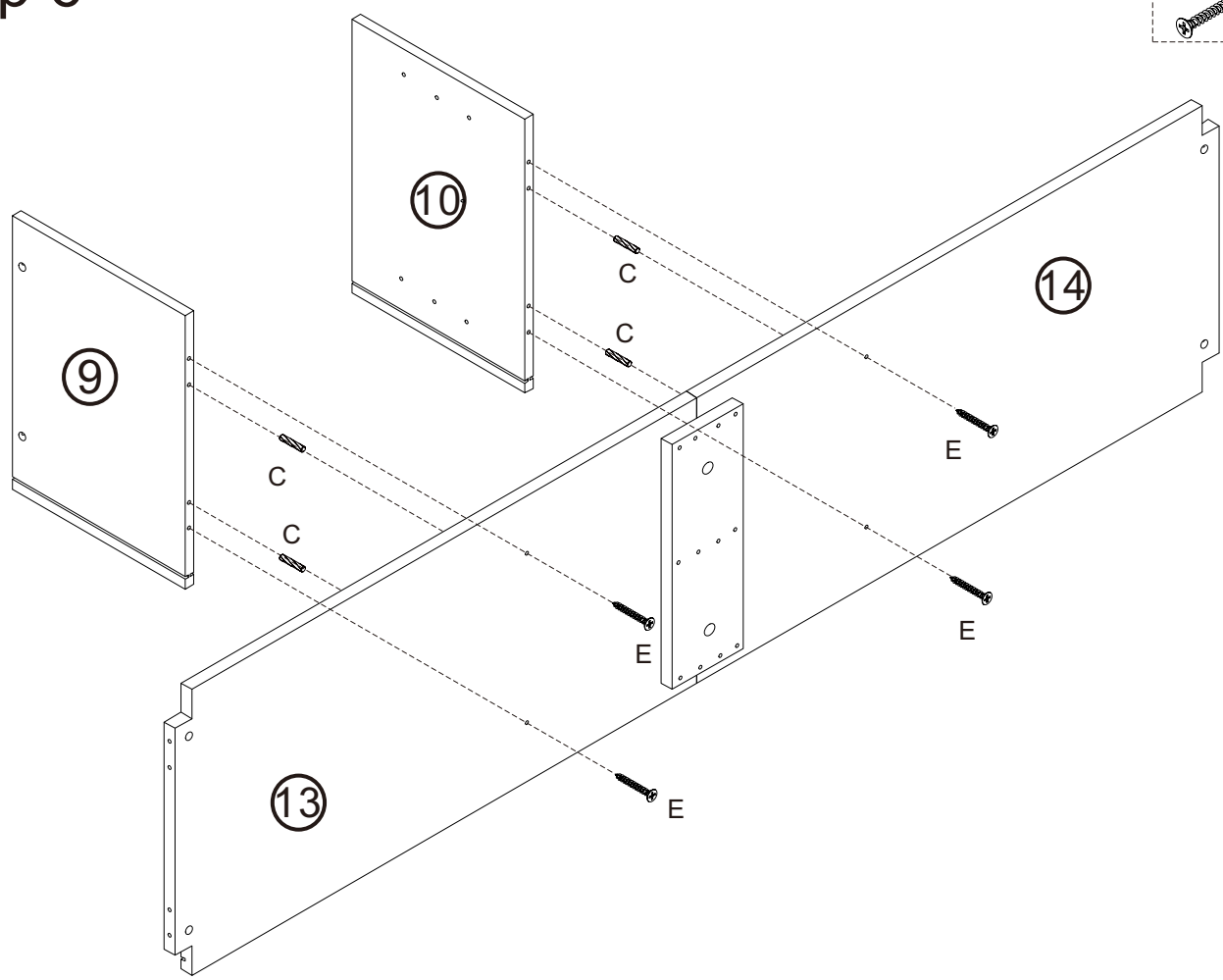
Step 5

	Px4
	Ox12



Step 6

	Cx4
	Ex4



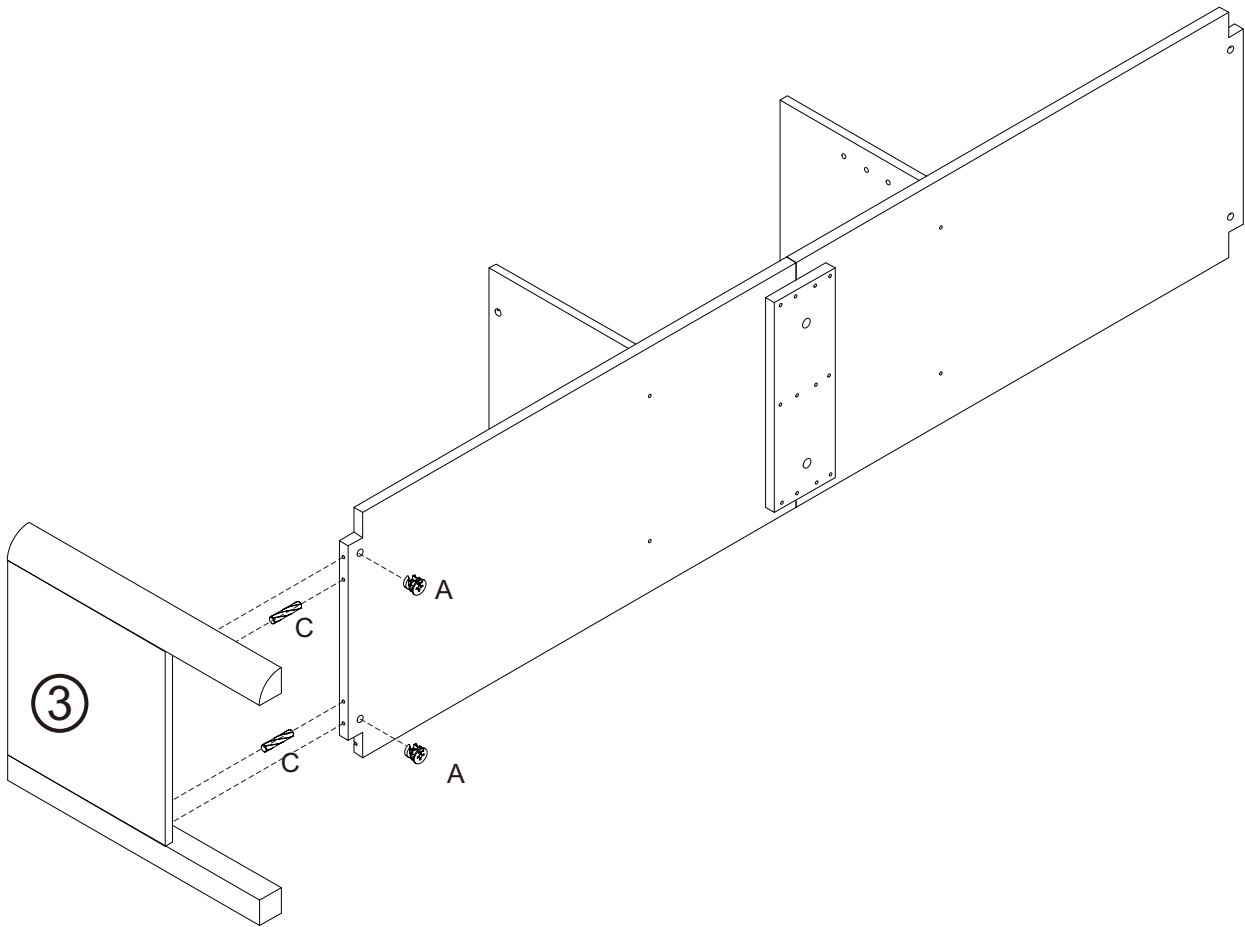
Step 7



Ax2



Cx2



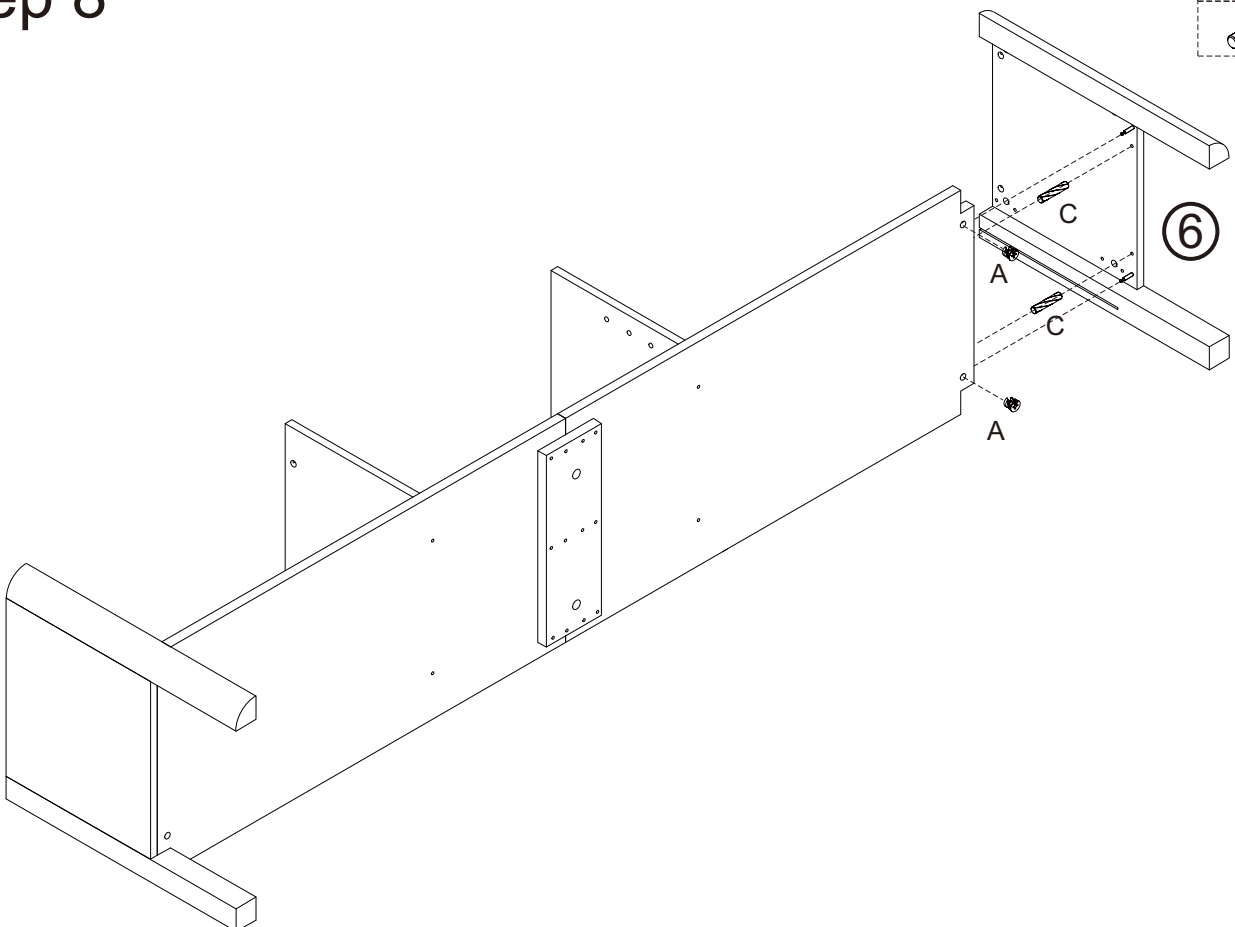
Step 8





Ax2

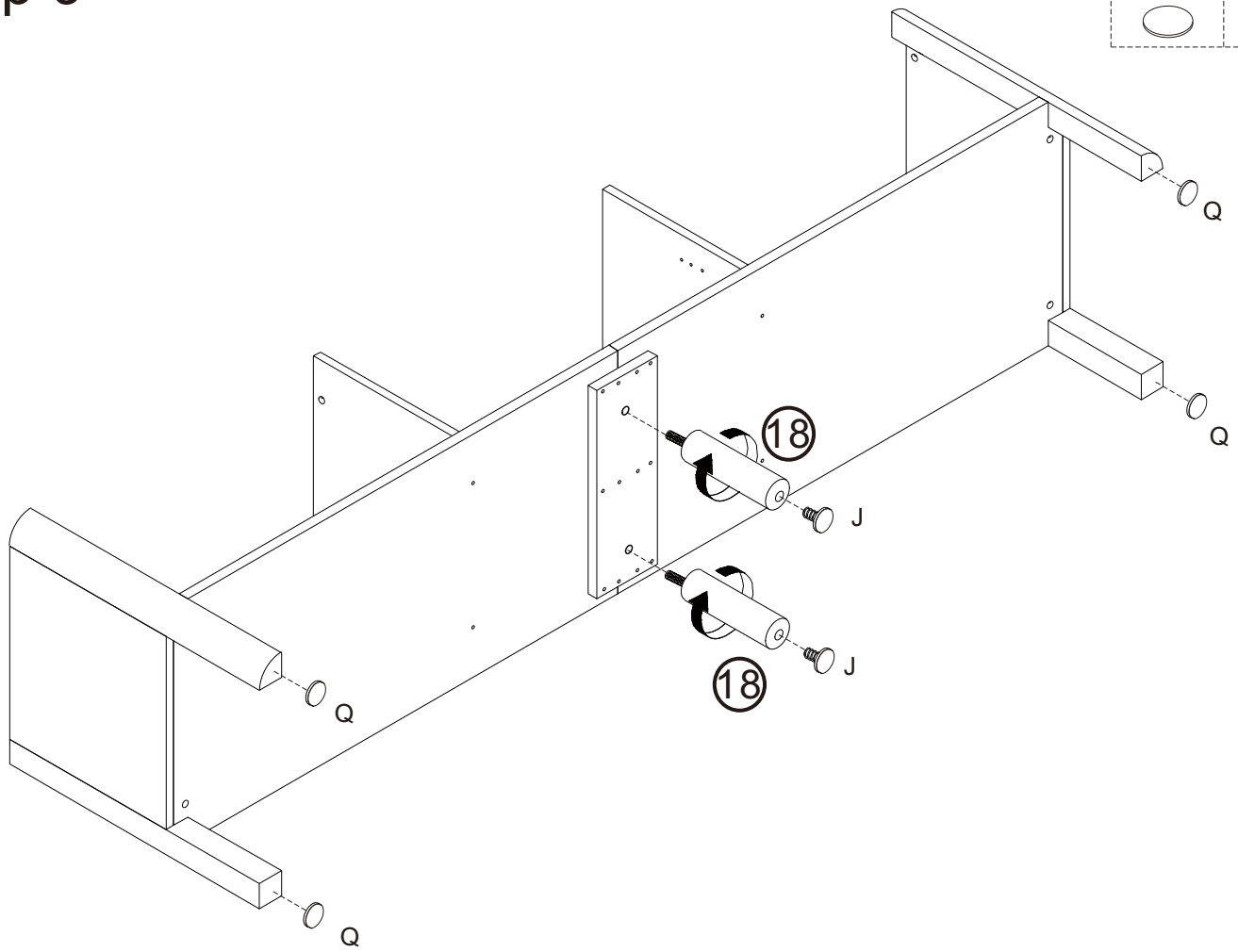


Cx2

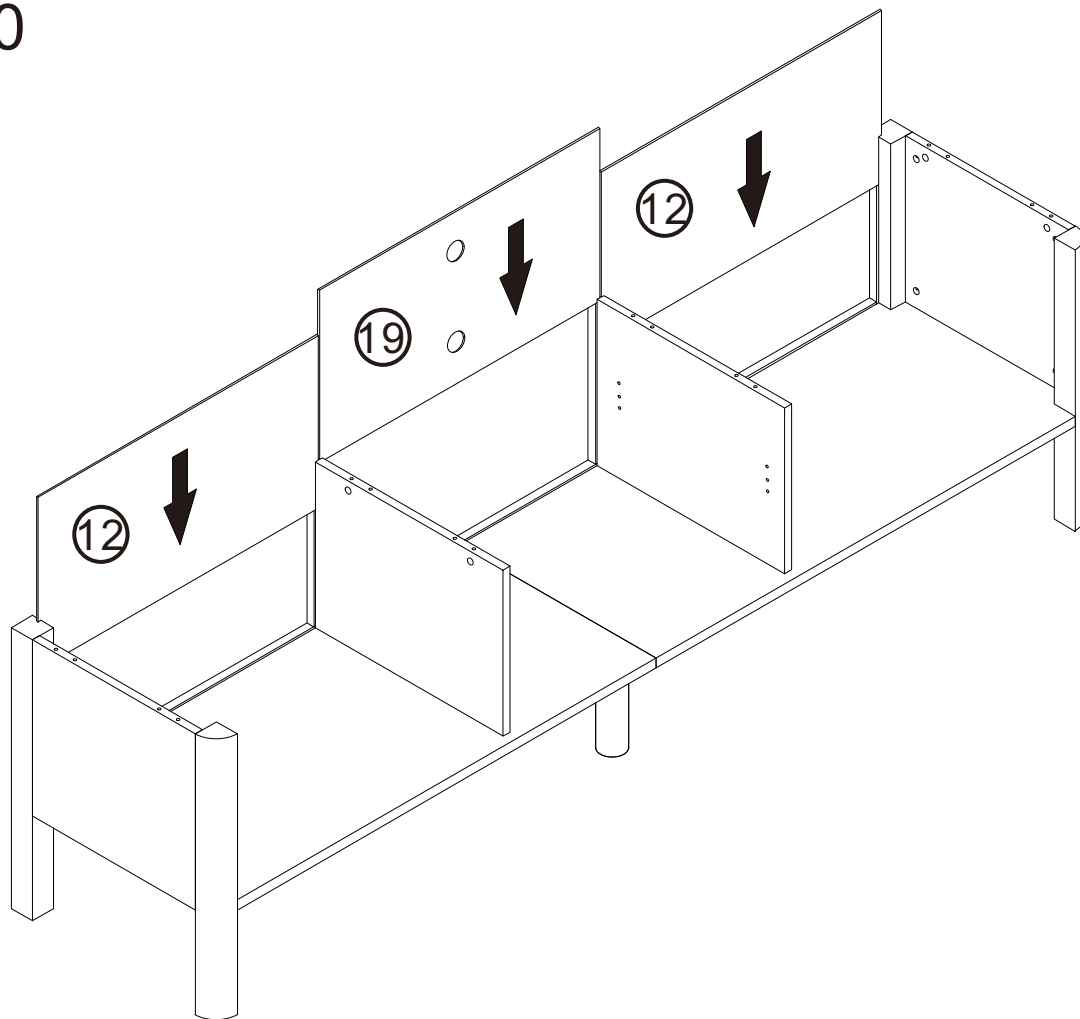


Step 9




	Jx2
	Qx4

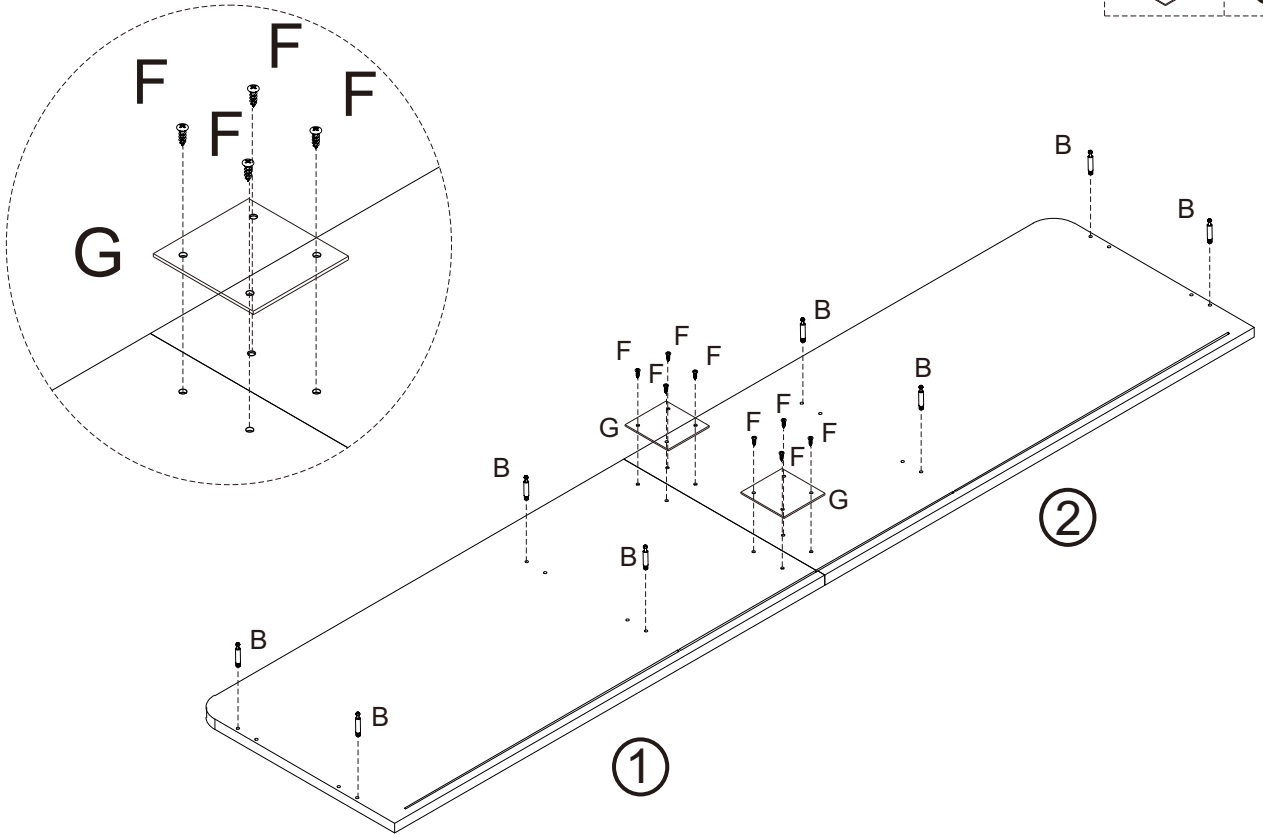


Step 10



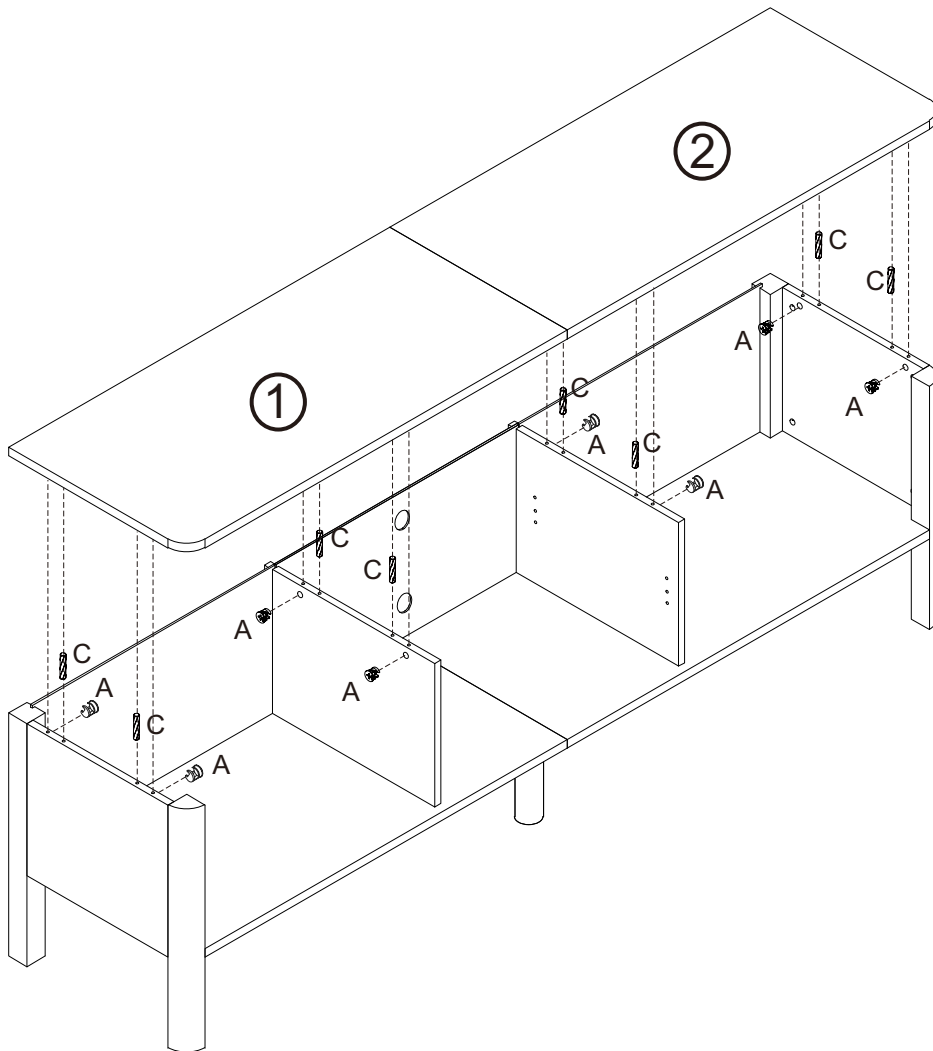
Step 11

	Bx8
	Fx8
	Gx2



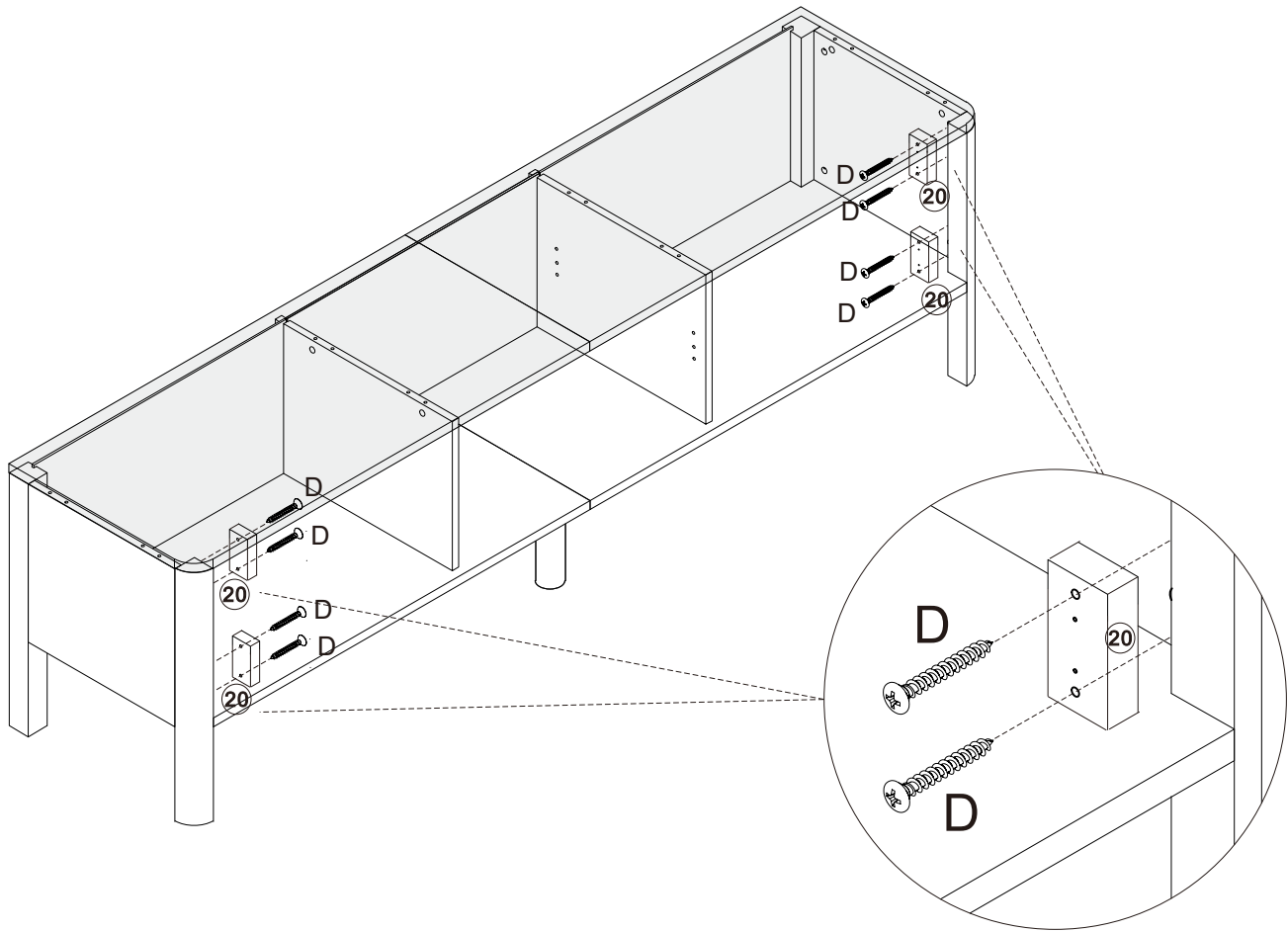
Step 12

	Ax8
	Cx8



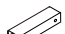



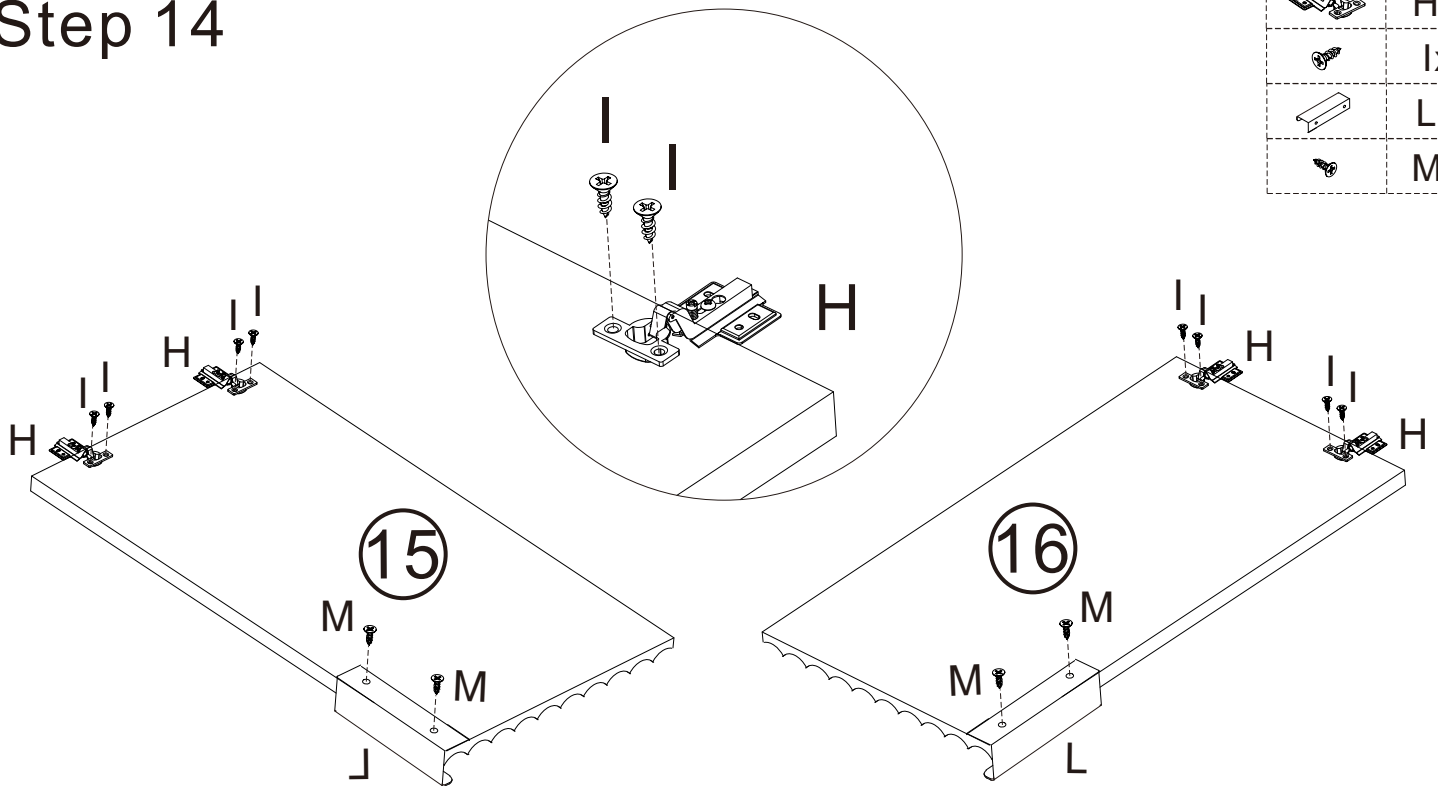
Step 13

 Dx8



Step 14

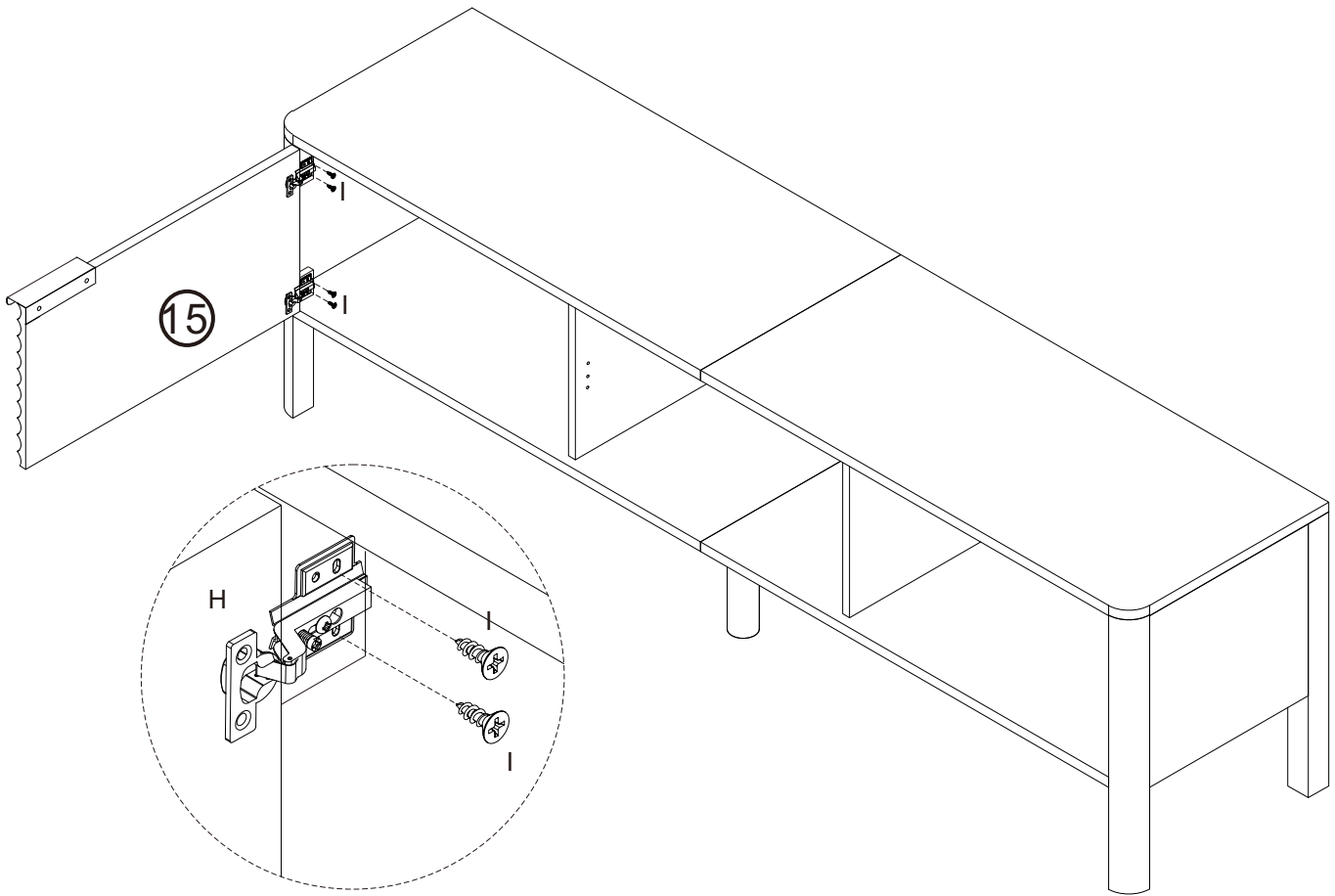
 Hx4
 lx8
 Lx2
 Mx4



Step 15



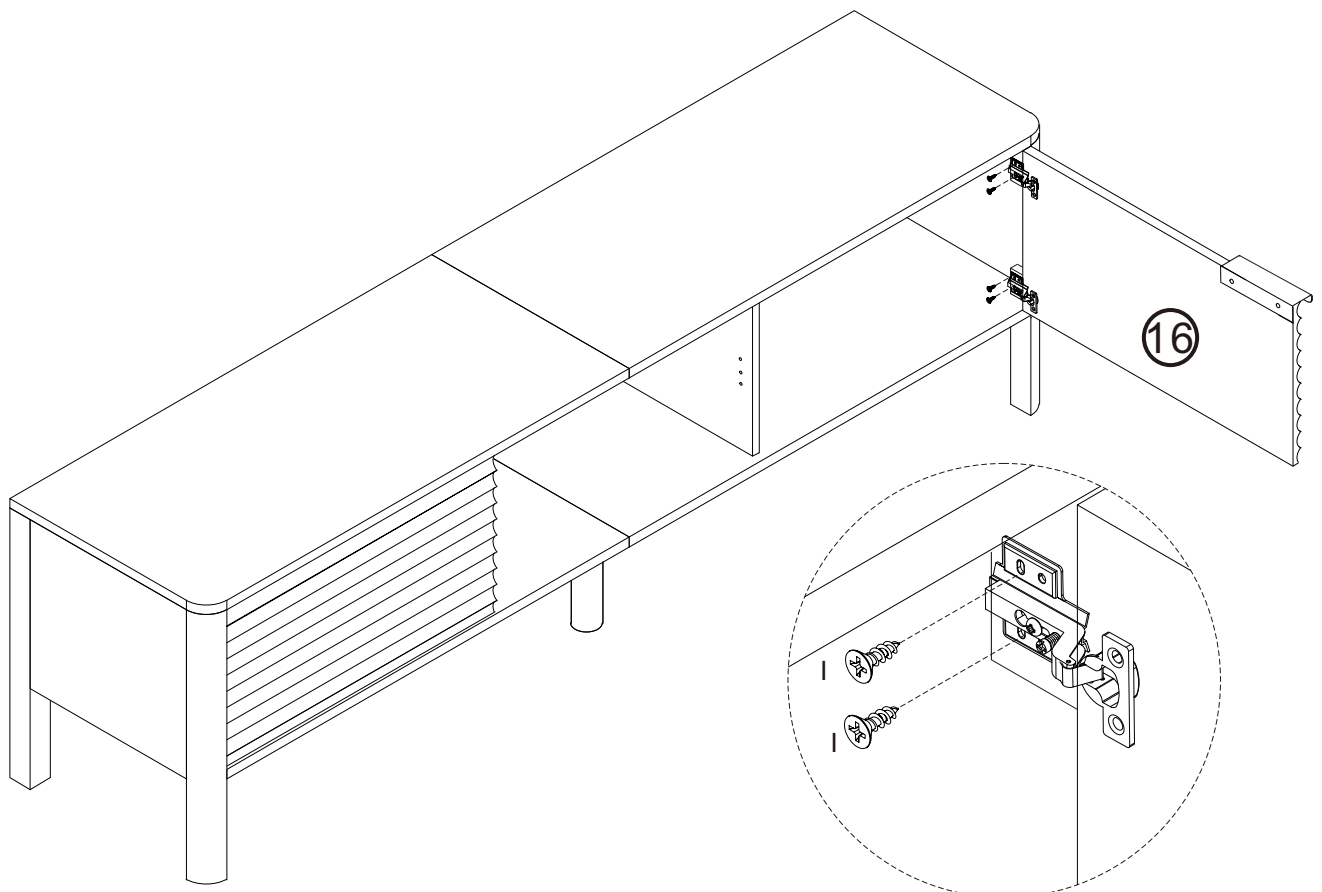
1x4



Step 16



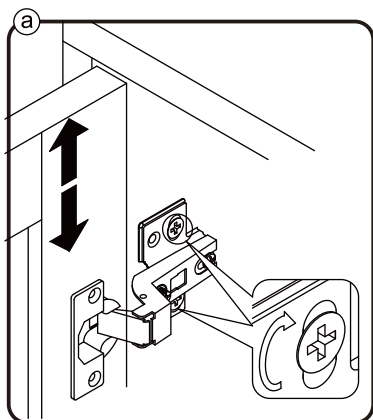
1x4



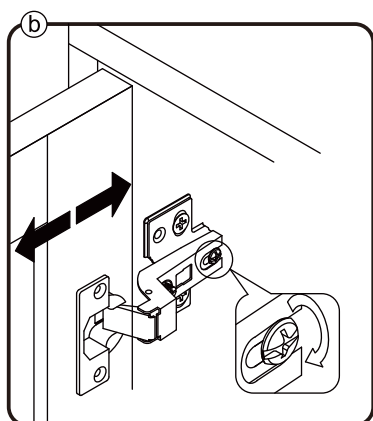
Step 17



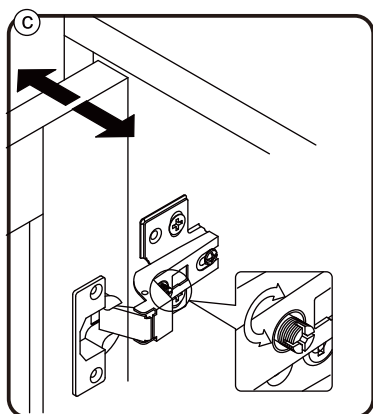
1x8



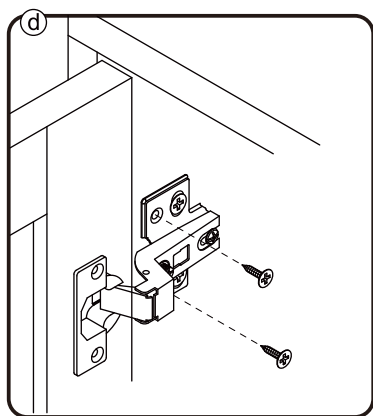
To adjust the door vertically loosen the screw as shown and move up and down as needed.



To adjust the gap from the door to the main frame turn the screw clockwise or anti-clockwise as needed.



To adjust the door laterally adjust the screw as shown by turning clockwise or anti-clockwise.

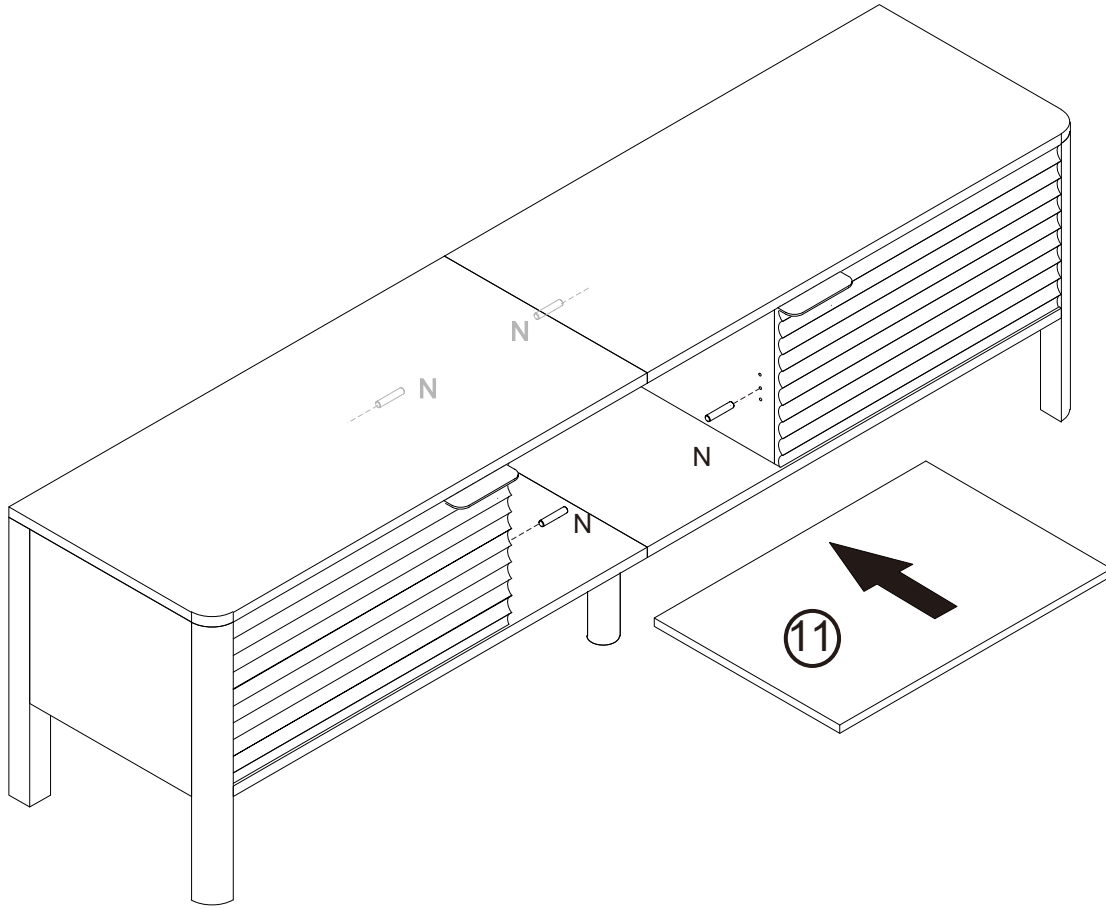


Lock the final screws right in for product stability.

Step 18



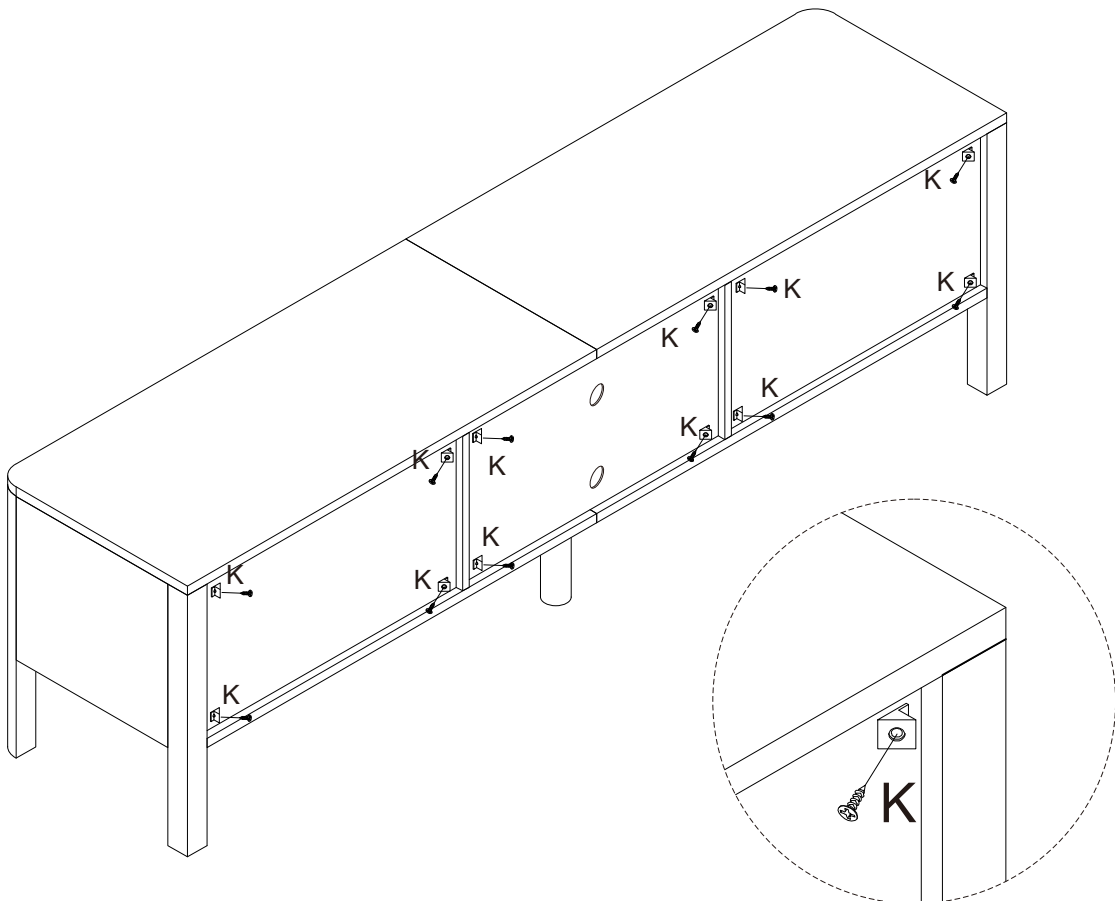
Nx4



Step 19



Kx12



AFTER-SALES SERVICE CARD

We sincerely thank you for trusting our service and our products, and may this product add enrichment to your home. We guarantee that the product has undergone strict quality inspection and meticulous packaging. If you encounter any issue regarding either shipping or the product, please feel free to contact us at any time.

We'd be more than happy to serve you wholeheartedly.

Yours Sincerely

If you have any questions or concerns please feel free to contact us. We're committed to providing our customers with the quality service.