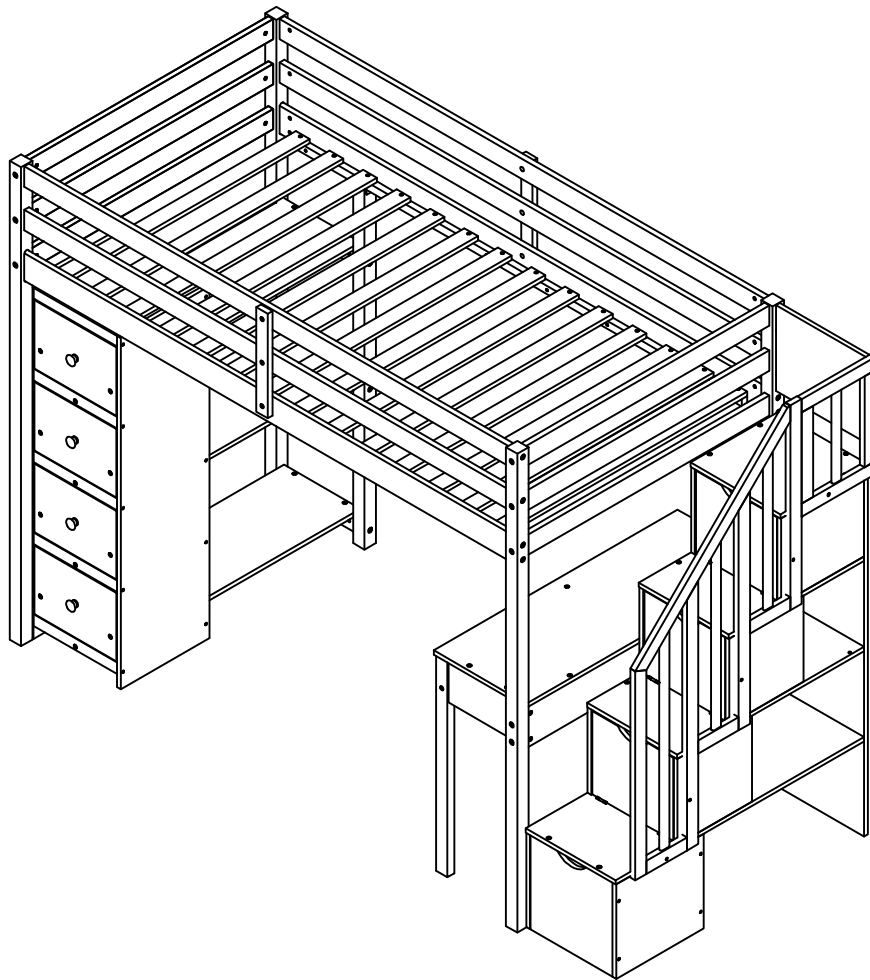


ASSEMBLY INSTRUCTIONS

LOFT BED WITH TABLE AND 4 DRAWERS CHEST





SAFETY WARNING



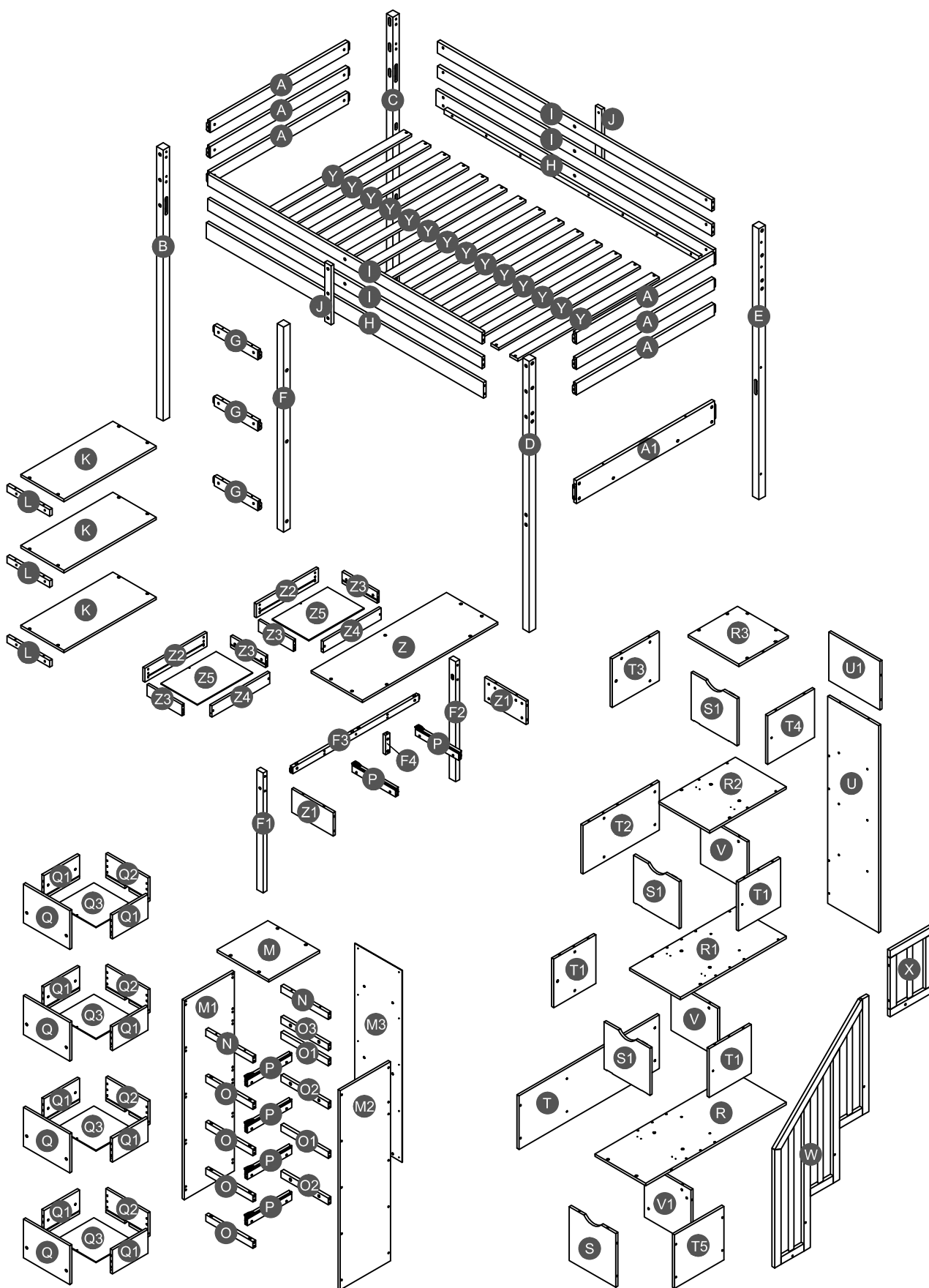
1. This bed is designed for use only mattress (es) meeting the following specifications on the upper bunk, and lower bunk:

Upper bunk (Bunk bed and tribed included)

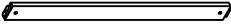
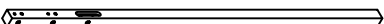
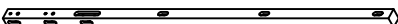
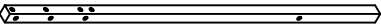
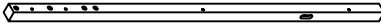
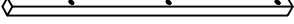
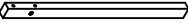
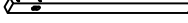

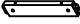

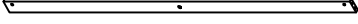

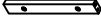
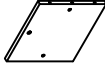

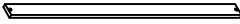
Bed type	Length	Width	Thickness
Twin Standard	74"-75"	38 1/2"	6"

2. Replacement parts, including additional guardrails, maybe obtained from any of our dealers.
3. Follow the information on the warnings appearing on the upper bunk bed end structure and on the carton. Do not remove warning label from bed.
4. Always use the recommended size mattresses or mattress supports, or both, to help prevent the likelihood of entrapment or falls.
5. Surface of mattress must be at least 5" (127mm) below the upper edge of guardrails.
6. Do not allow children under 6 years of age to use the upper bunk.
7. Periodically check and ensure that the guardrail, ladder, and other components are in their proper position, free from damage, and that all connectors are tight.
8. Do not allow horseplay on or under the bed and prohibit jumping on the bed.
9. Always use the ladder for entering and leaving the upper bunk.
10. Do not use substitute part. Contact the manufacture or dealer for replacement part.
11. Use of a night light may provide added safety precaution for a child using the upper bunk.
12. Always use guardrails on both long sides of the upper bunk. If the bunk bed will be placed next to the wall, the guardrail that runs the full length of the bed should be placed against the wall to prevent entrapment between the bed and wall.
13. The use of water or sleep flotation mattresses is prohibited.
14. **STRANGULATION HAZARD** - Never attach or hang items to any part of the bunk bed that are not designed for use with the bed; for example, but not limited to, hook, belts and jump ropes.
15. Keep these instruction for future reference.
16. Prohibit more than one person on upper bunk
17. We recommend assembling your bunk bed on the shipping carton to protect your floor or carpet.
18. Be certain all staples are out of the box before beginning assembly on the shipping carton.

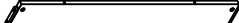
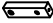


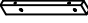

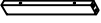
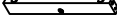
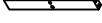

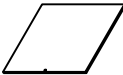

Detail View



Part List



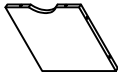
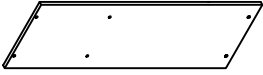


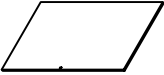
A  Horizontal bar - 6pcs	B  Leg (Left front) - 1pc	C  Leg (Left back) - 1pc
D  Leg (Right front) - 1pc	E  Leg (Right back) - 1pc	F  Leg short HB (Back) - 1pc
F1  Leg HB (front) - 1pc	F2  Leg HB (back) - 1pc	F3  Horizontal bar - 1pc
G  Support horizontal bar(back) - 3pcs	H  Side rail - 2pcs	I  Long guard rail - 4pcs
O2  Lower horizontal bar (Back) - 2pcs	O3  Horizontal bar (Back) - 1pc	T1  Center left/right side panel - 3pcs
T2  Center left side panel - 1pc	Y  Slat - 14pcs	

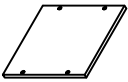


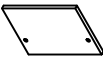
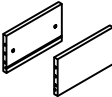

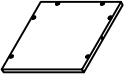


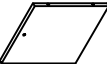
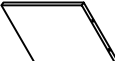

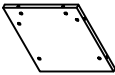
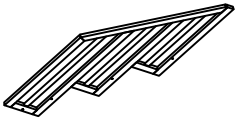
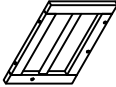
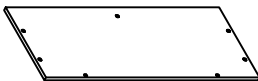
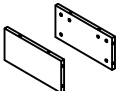

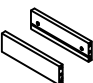
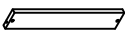
Hardware List

A1  Lower horizontal bar FB - 1pc	F4  Support - 1pc	J  Vertical guard rail - 2pcs
K  Shelf panel HB - 3pcs	L  Support horizontal bar - 3pcs	M3 
N  Upper horizontal bar - 2pcs	O  Horizontal bar (Front) - 4pcs	O1  Horizontal bar (Back) - 2pcs
P  Support drawer - 6pcs	Q3  Drawer bottom - 4pcs	R  Lower step ladder panel -1pc

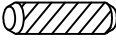

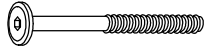





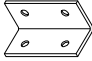




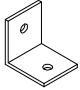



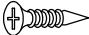

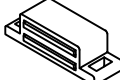

Part List

Hardware List

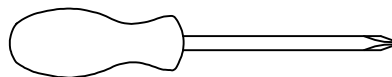
R1  Lower center step ladder panel -1pc	R2  Upper center step ladder panel -1pc	S  Lower front panel - 1pc
T  Lower left side panel - 1pc	T5  Lower right side panel - 1pc	U  Back panel - 1pc
Z5  Drawer bottom - 2pcs		

M  Top panel - 1pc	M1  Side panel (Left) - 1pc	M2  Side panel (Right) - 1pc
Q  Front drawer panel - 4pcs	Q1  Left / right drawer panel - 8pcs	Q2  Back drawer panel - 4pcs
R3  Upper step ladder panel -1pc	S1  Upper front panel - 3pcs	T3  Upper left side panel - 1pc
T4  Upper right side panel - 1pc	U1  Upper guard back - 1pc	V  Support panel - 2pcs
V1  Support lower panel - 1pc	W  Guard rail -1pc	X  Upper guard rail -1pc
Z  Top panel table - 1pc	Z1  Left / right side panel - 2pcs	Z2  Front drawer panel - 2pcs
Z3  Left / right drawer panel - 4pcs	Z4  Back drawer panel - 2pcs	

Hardware List

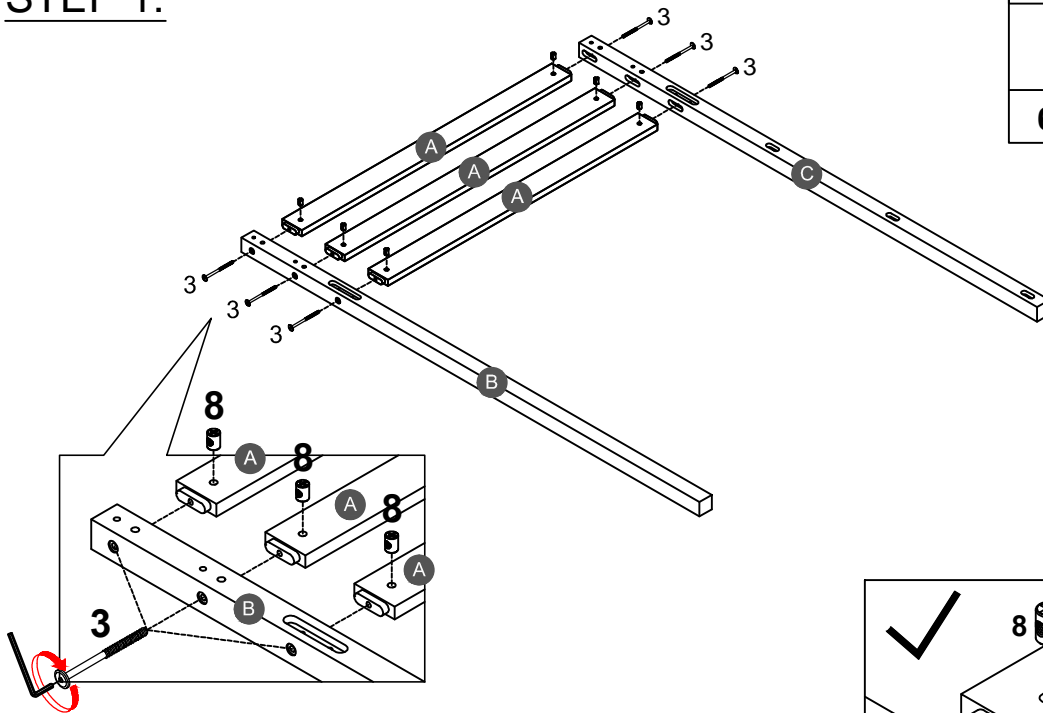
1	 Ø8*30mm Wood dowel (90pcs)	2	 (Ø15)1/4"*100mm Hex-Head bolts (16pcs)	3	 (Ø15)1/4"*80mm Hex-Head bolts (32pcs)
4	 (Ø12)1/4"*60mm Hex-Head bolts (95pcs)	5	 (Ø12)1/4"*40mm Hex-Head bolts (7pcs)	6	 (Ø12)1/4"*30mm Hex-Head bolts (9pcs)
7	 (Ø12)1/4"*40mm Hex-Head bolts (42pcs)	8	 1/4"*15 (9.5mm) Horizontal-Hole bolts(141pcs)	9	 40*17*17*1.6mm Metal bracket (3pcs)
10	 (1/4")4.5*58mm Allen key (1pc)	11	 Ø3.5*15mm Wood screws (10pcs)	12	 266*30mm Upper slider drawer (6pcs)
13	 Ø4*30mm Wood screws (28pcs)	14	 24*28*28*2mm Metal bracket (1pc)	15	 Ø38*31mm Pine Knob (6pcs)
16	 3/16"*25mm Ph zinc(Knob) (6pcs)	17	 Ø10*40mm Wood dowel (8pcs)	18	 Ø3.5*15mm Wood screws (32pcs)
19	 Ø3.5*12 mm Wood screws (24pcs)	20	 45*17*13mm Door catch (3pcs)	21	 42*12*1mm Metal magnet (3pcs)



ASSEMBLY TOOLS REQUIRED (NOT INCLUDED)



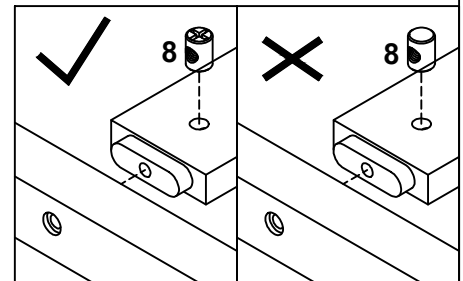
PLEASE BE CAREFUL DO NOT DAMAGE THE HOLE POSITION WHEN YOU USE POWER TOOLS !

STEP 1:

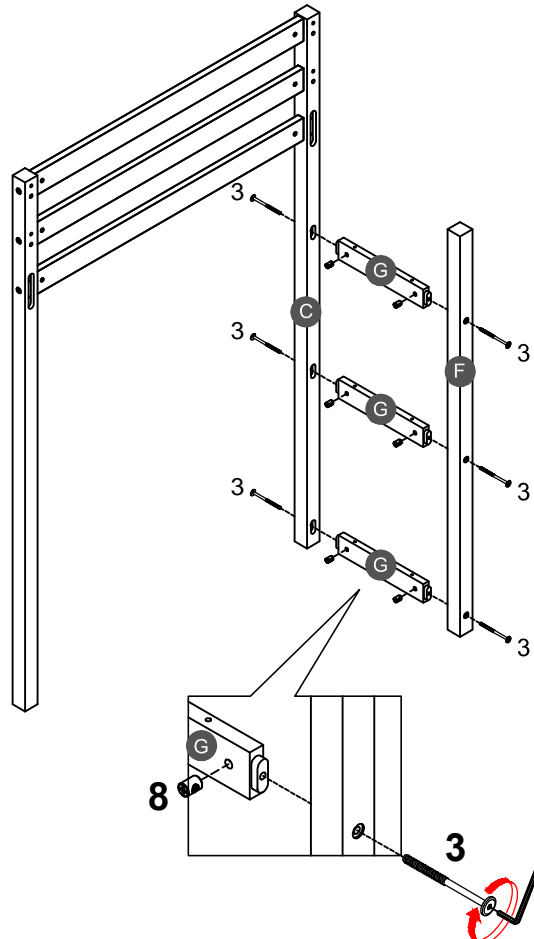




3		8	
6PCS		6PCS	

Note: Part 8 will face up with the "x" mark on it, otherwise it cannot be tightened

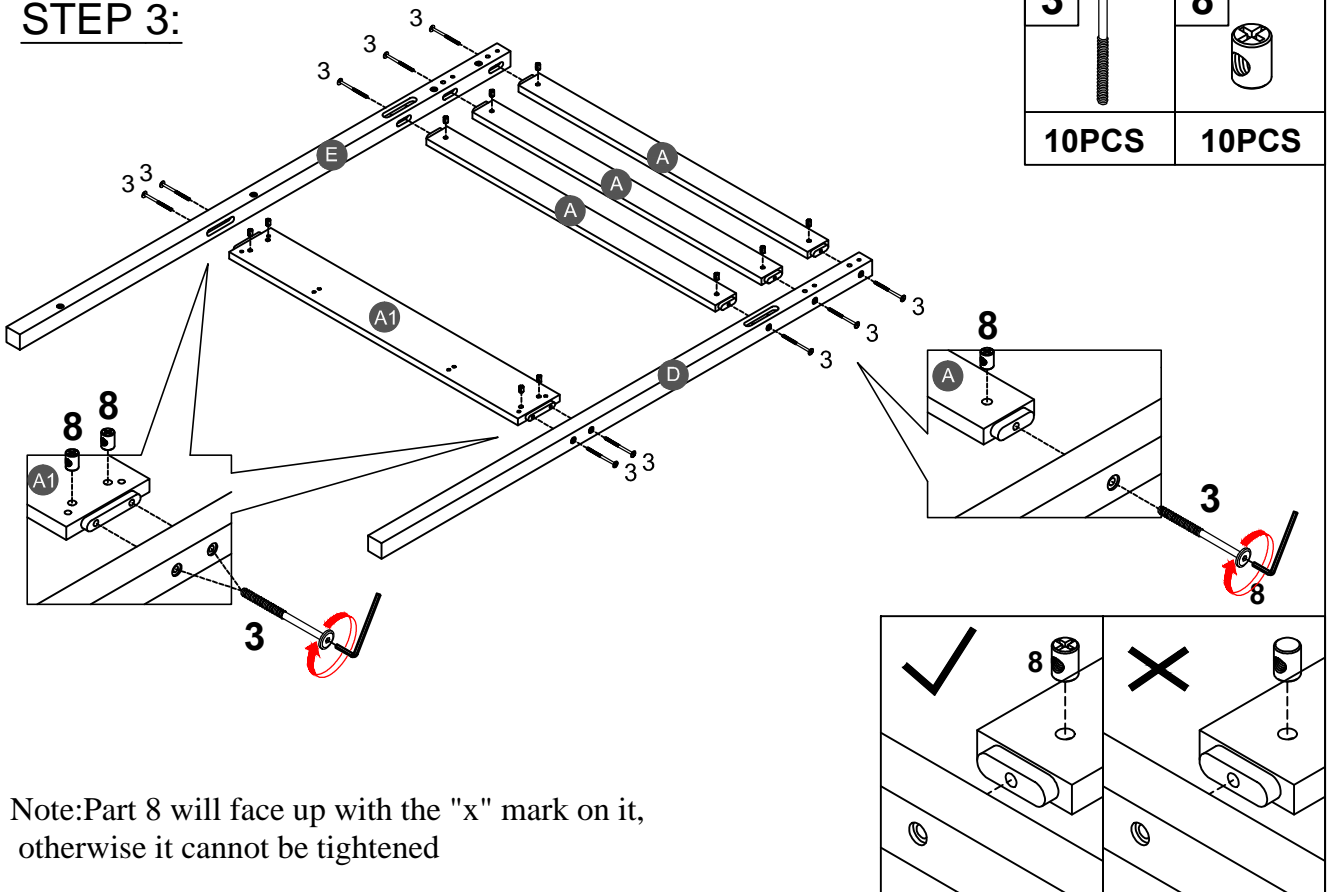


STEP 2:

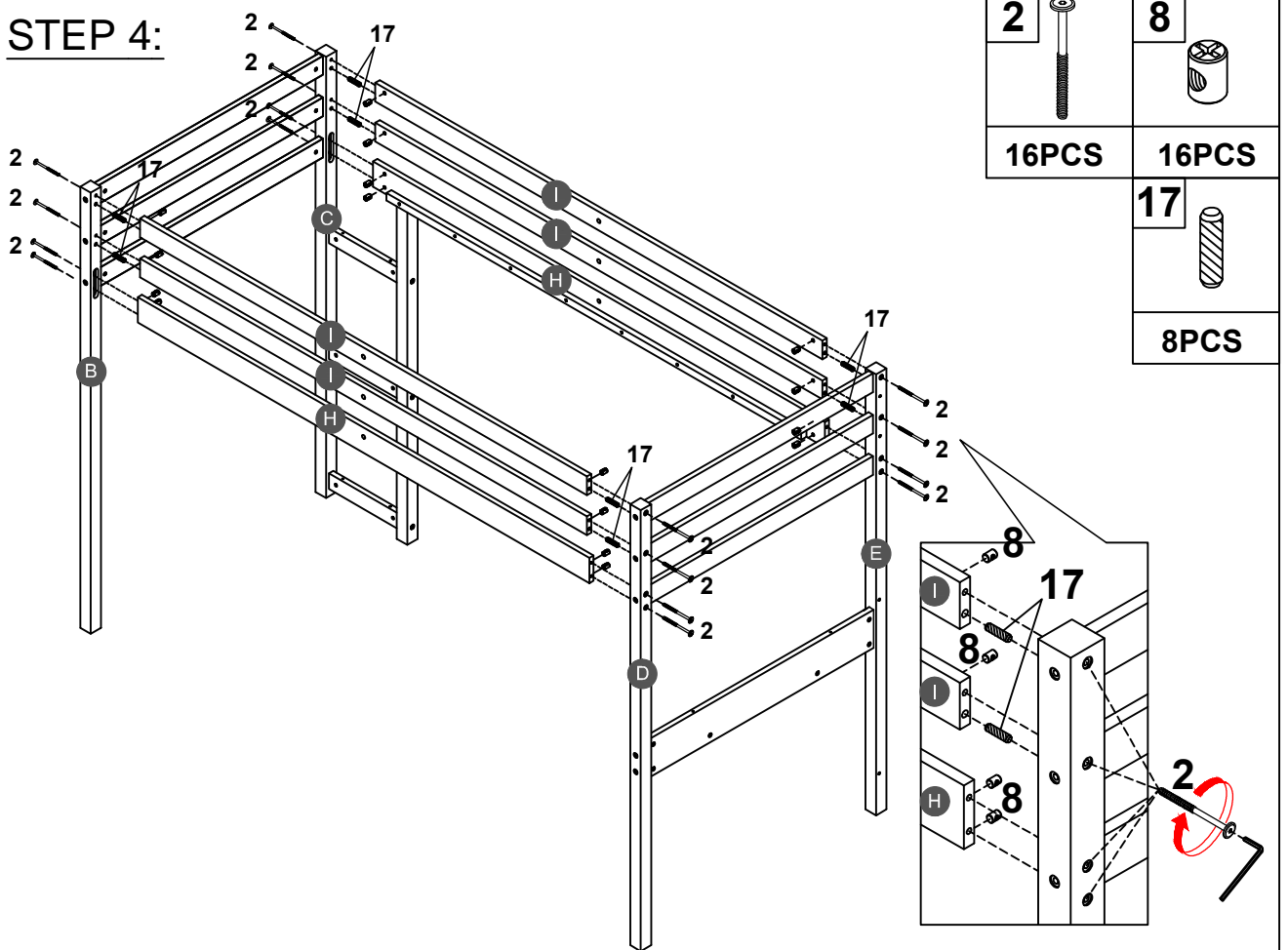


3		8	
6PCS		6PCS	

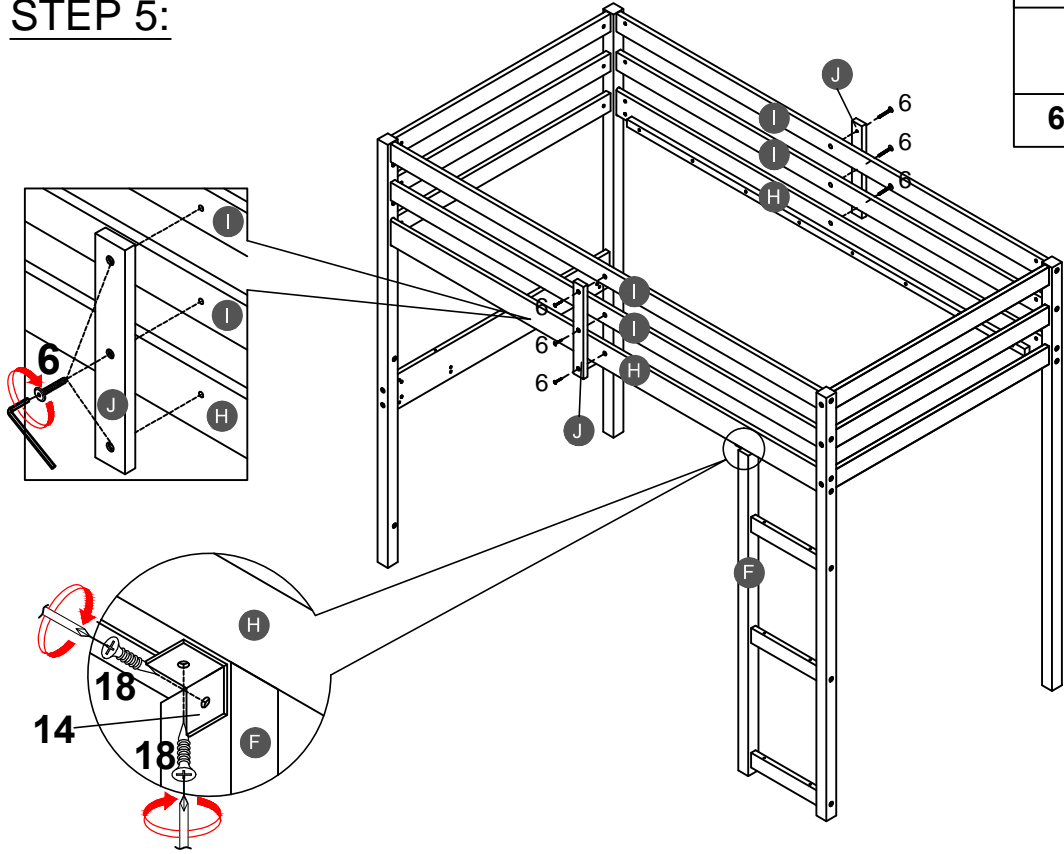
STEP 3:



STEP 4:

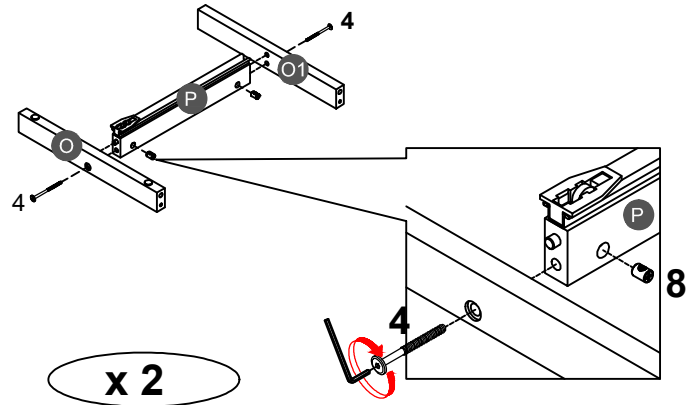


STEP 5:



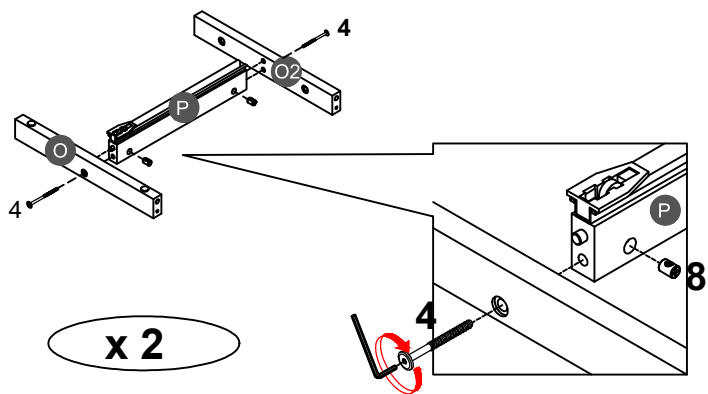
6		14	
6PCS		1PC	
		18	
		2PCS	

STEP 6:





4		8	
4PCS		4PCS	

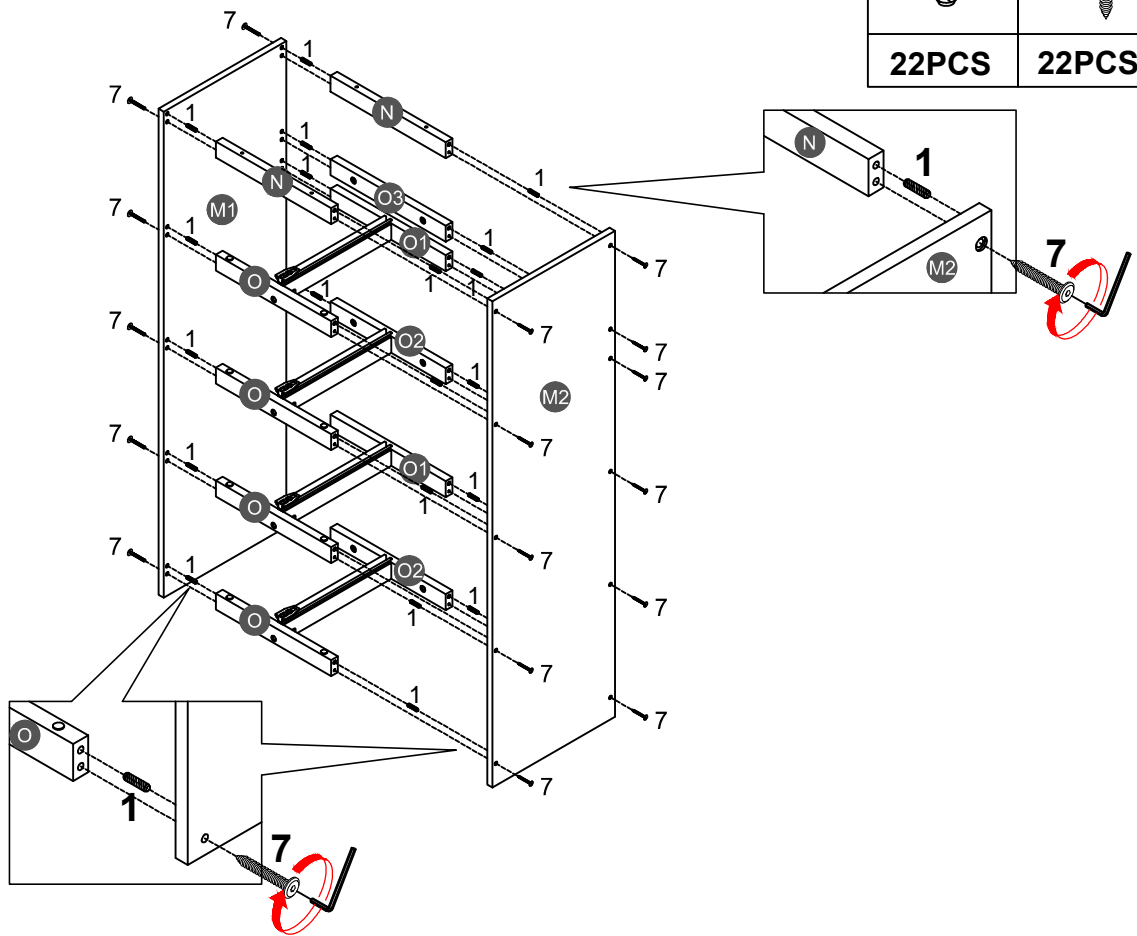
STEP 7:




4		8	
4PCS		4PCS	

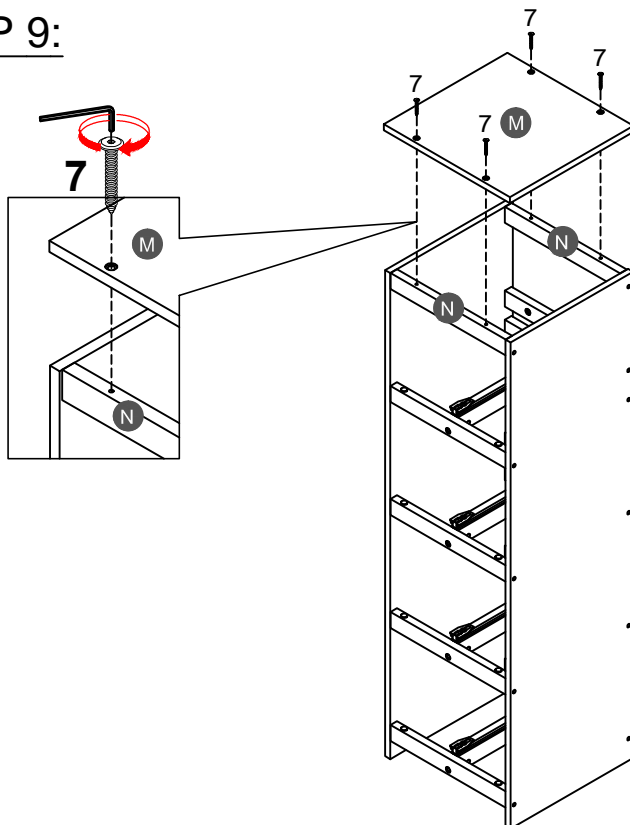
STEP 8:

1		7	
22PCS		22PCS	



STEP 9:

7	
4PCS	

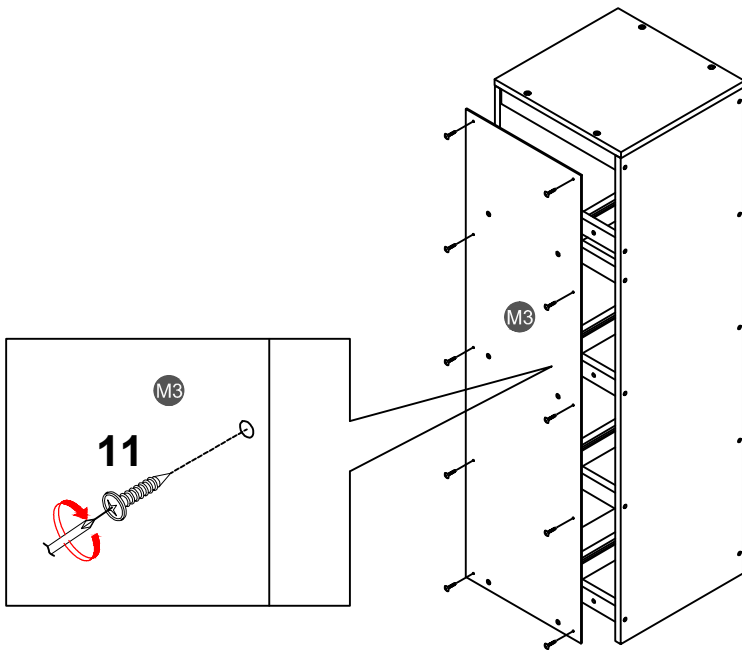


STEP 10:

11



10PCS

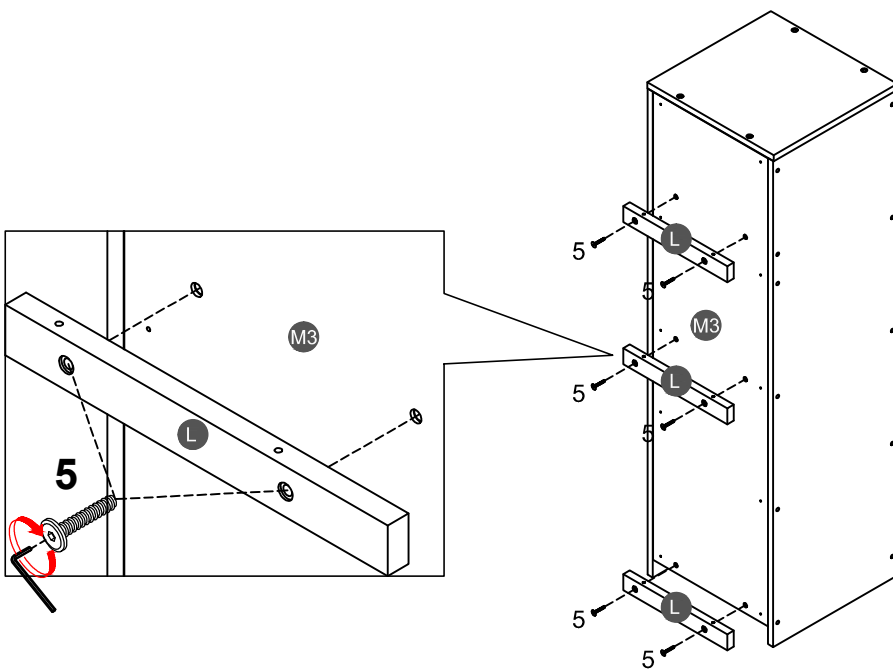


STEP 11:

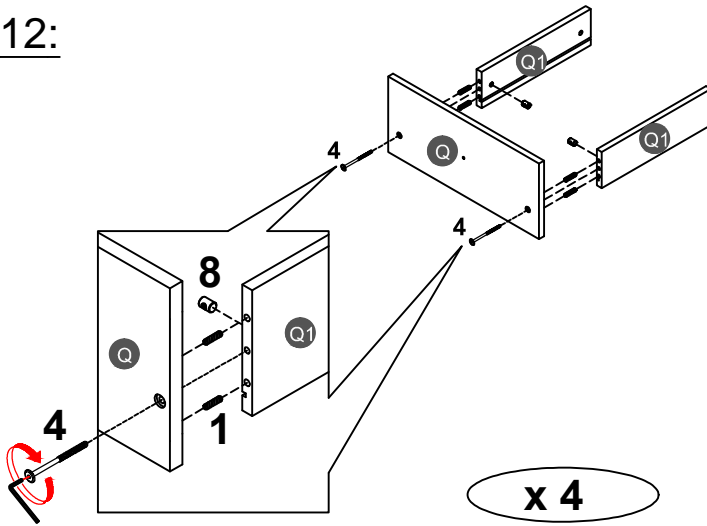
5






6PCS

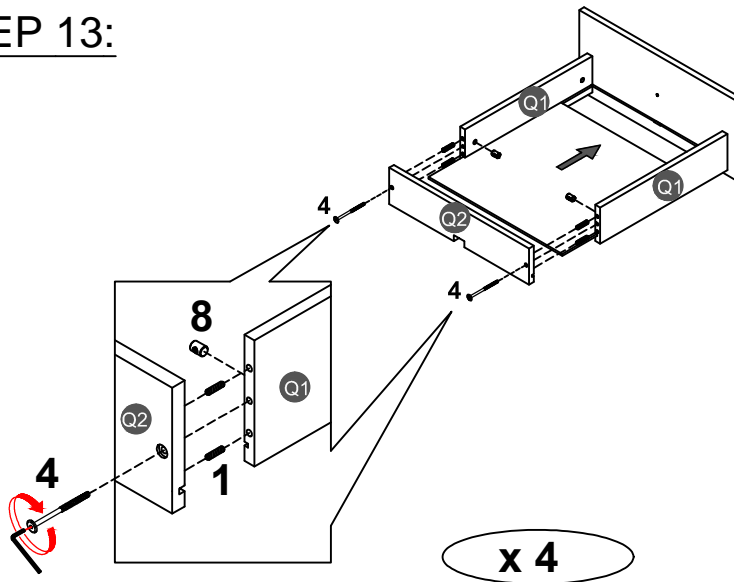





STEP 12:



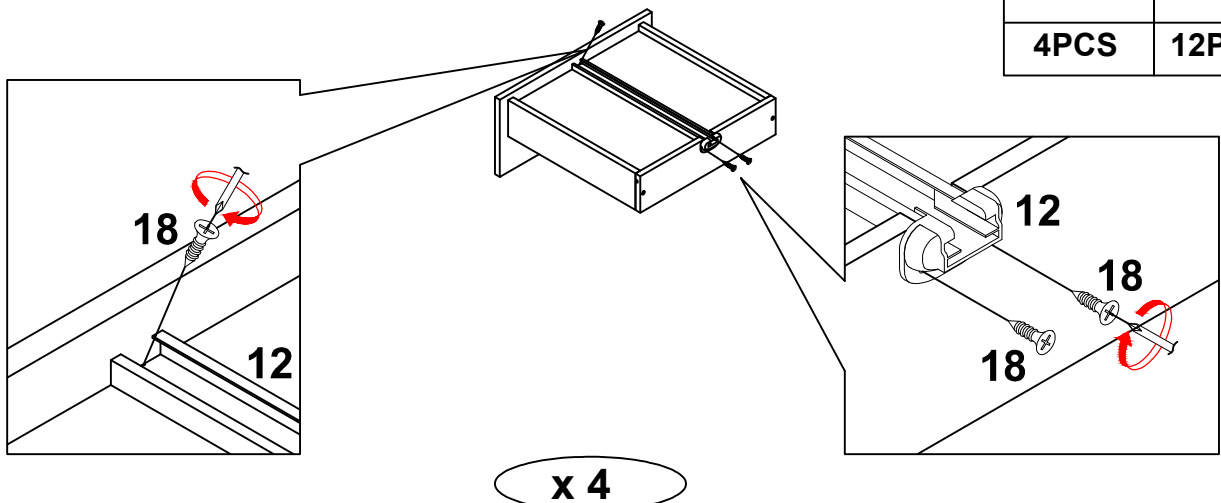
1		8	
16PCS		8PCS	
		4	
		8PCS	



STEP 13:



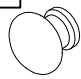

1		8	
16PCS		8PCS	
		4	
		8PCS	

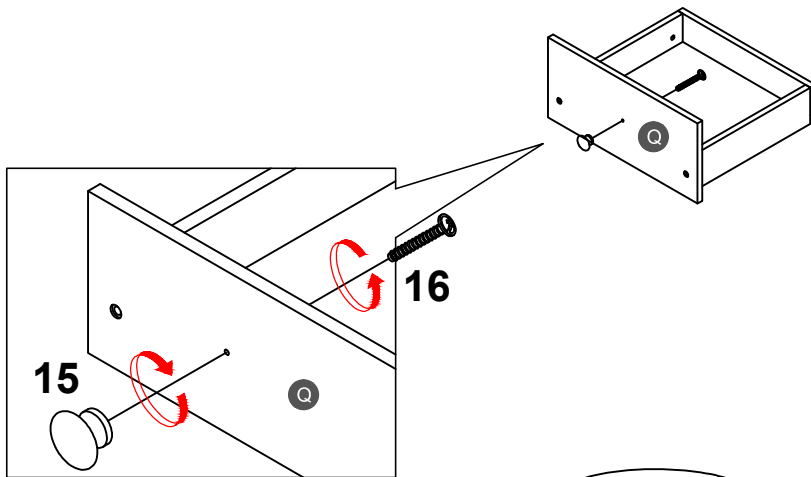
STEP 14:



12		18	
4PCS		12PCS	

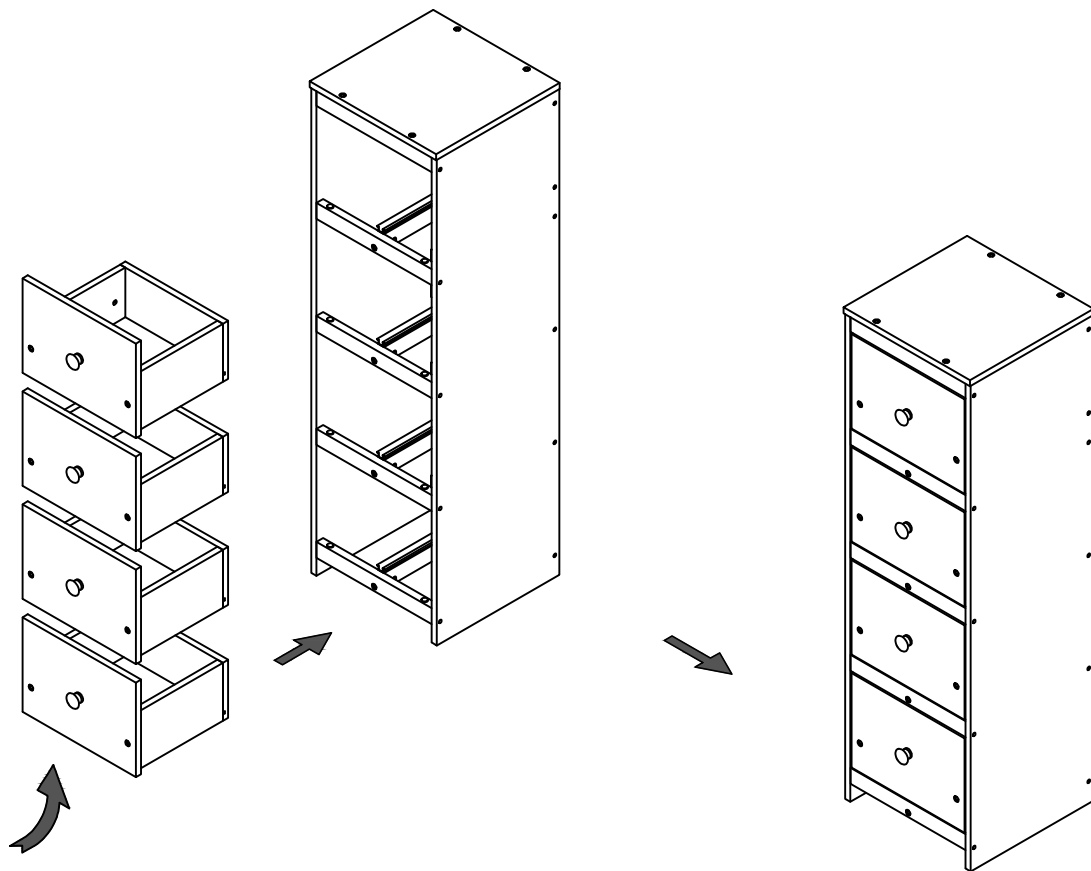
STEP 15:

15 	16 
4PCS	4PCS

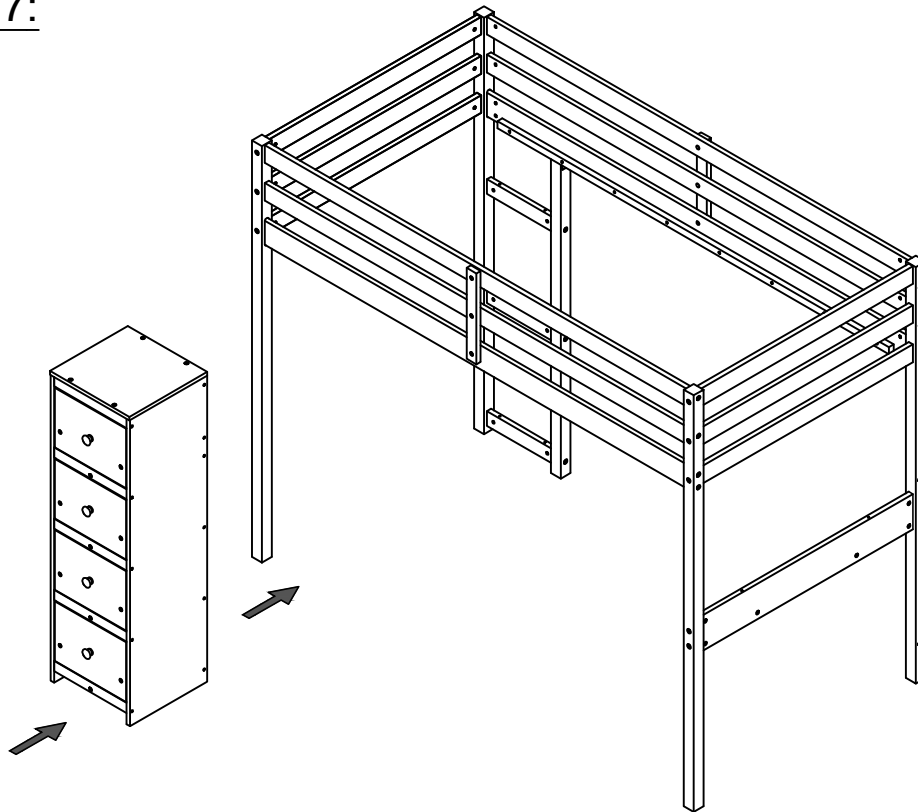


x 4


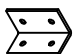

STEP 16:

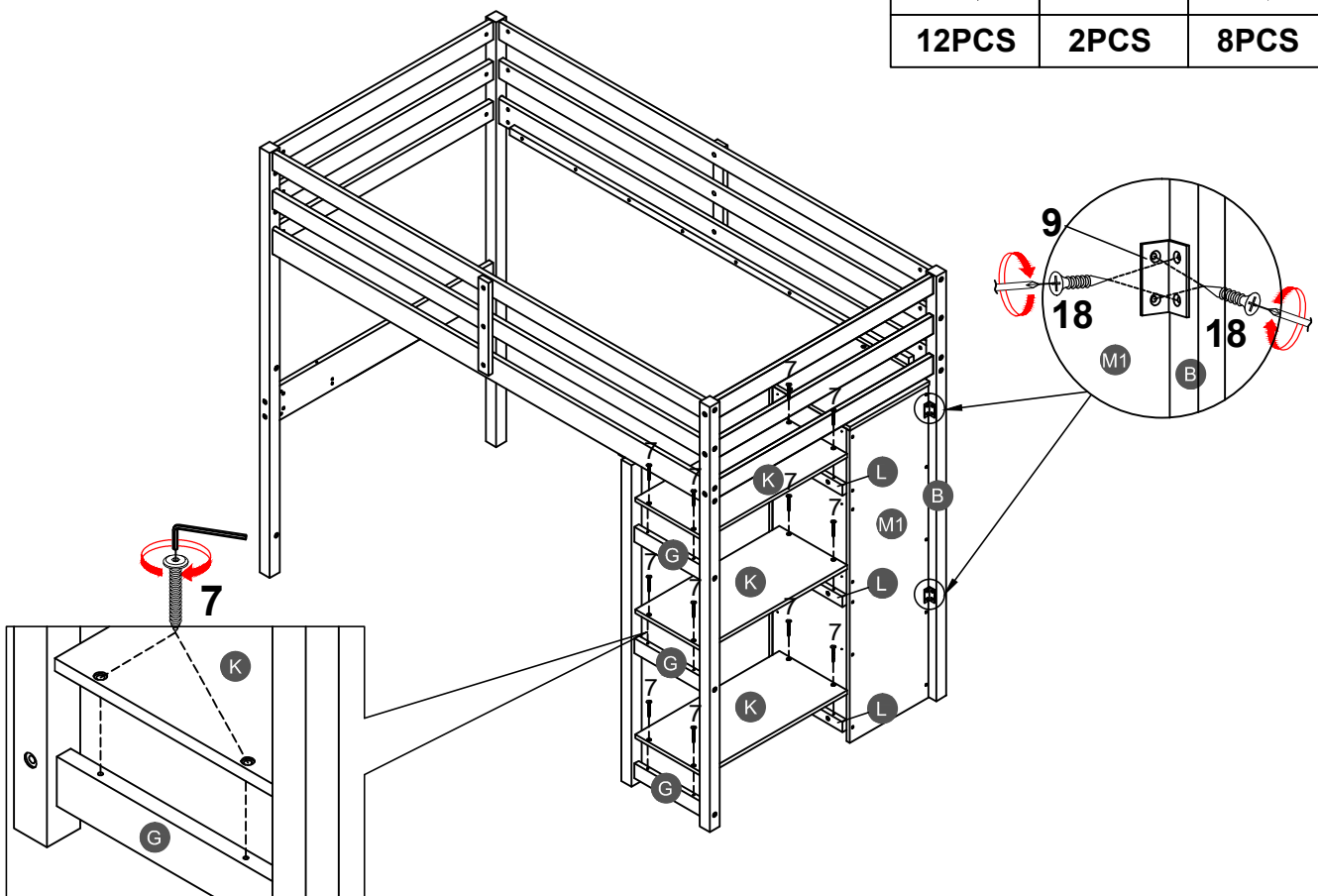


STEP 17:

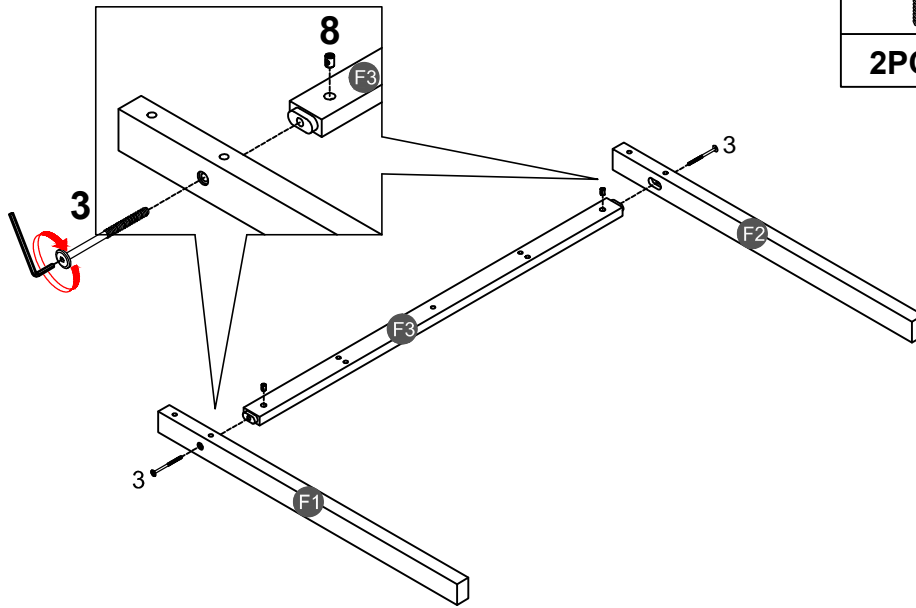


STEP 18:

7 	9 	18 
12PCS	2PCS	8PCS

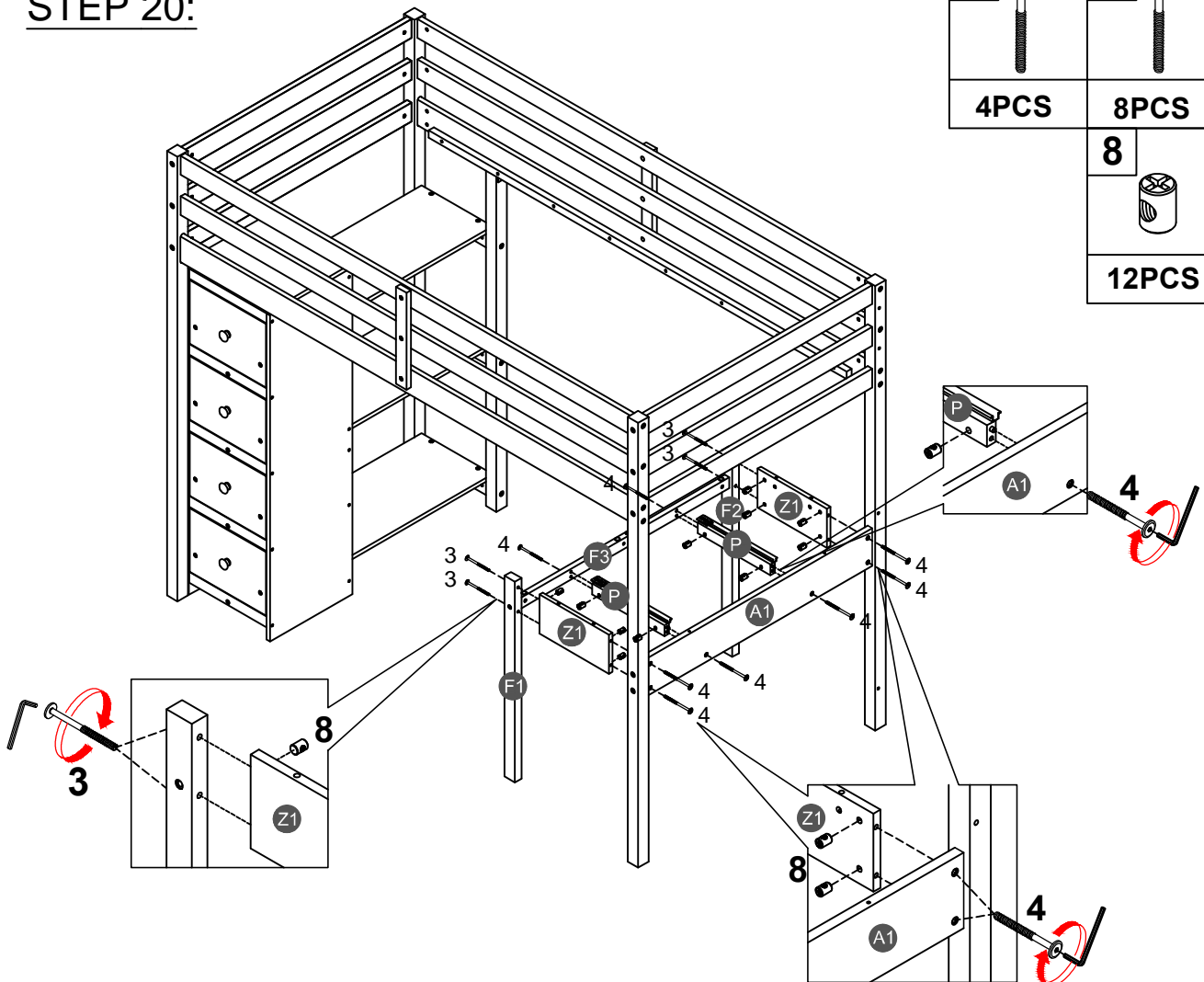


STEP 19:



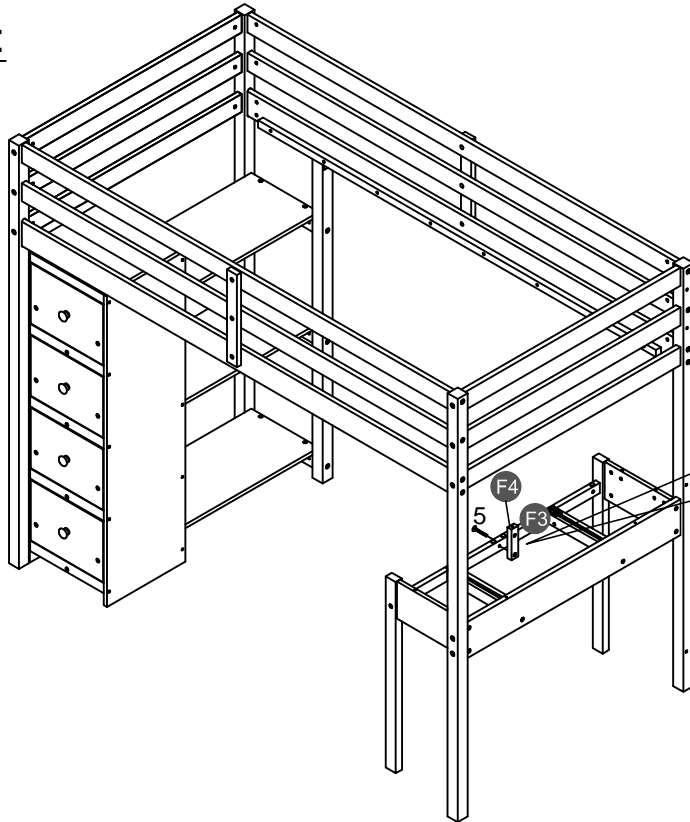
3		8	
2PCS		2PCS	

STEP 20:



3		4	
4PCS		8PCS	
		8	
		12PCS	

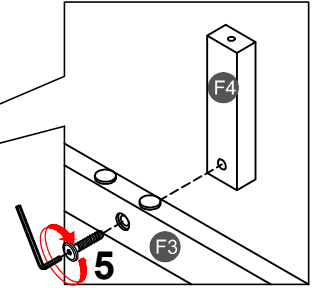
STEP 21:



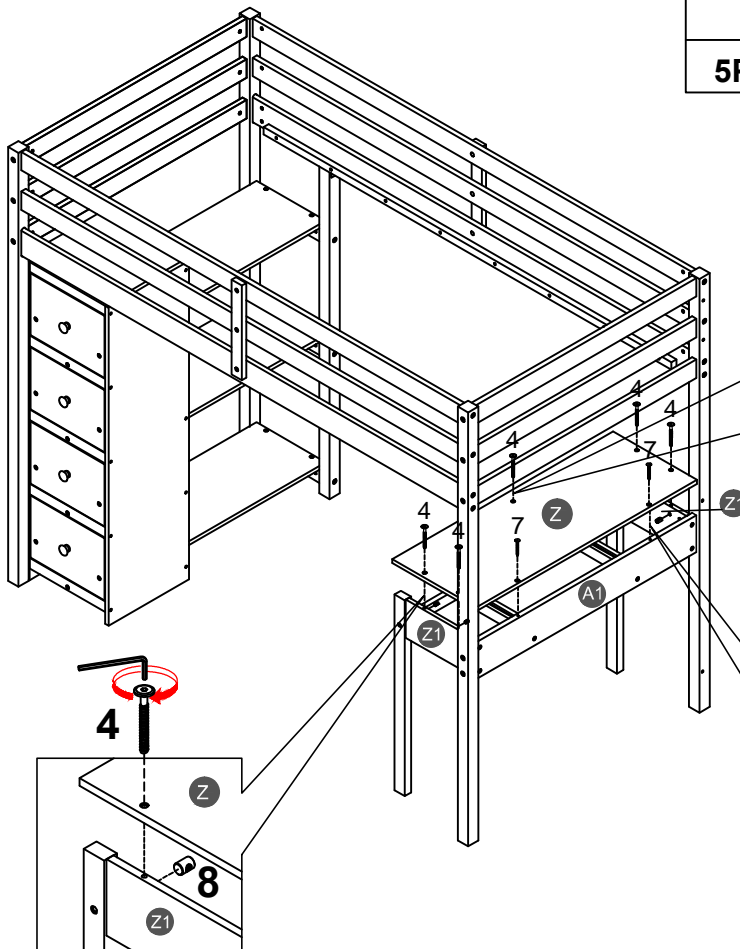
5



1PC



STEP 22:



4



5PCS

7

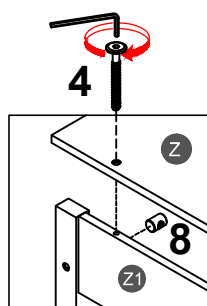
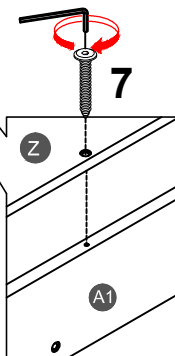
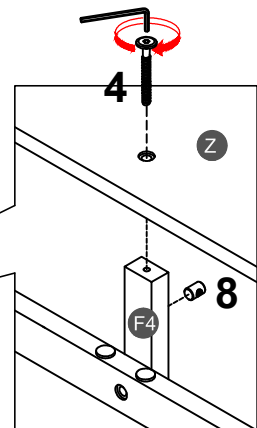


2PCS

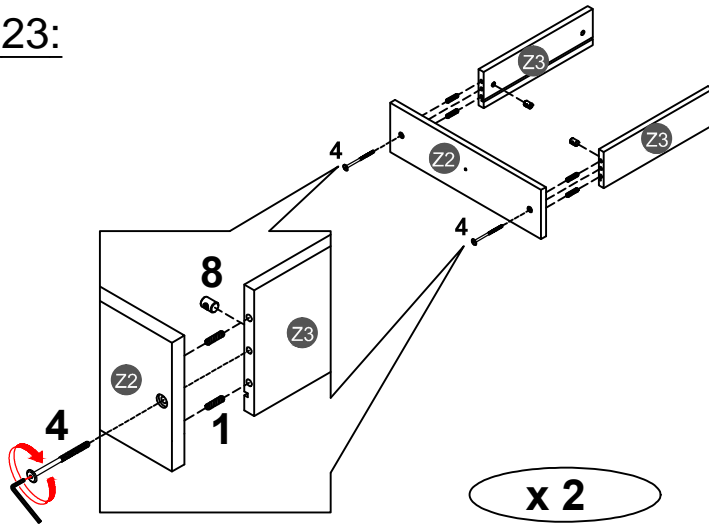
8



5PCS

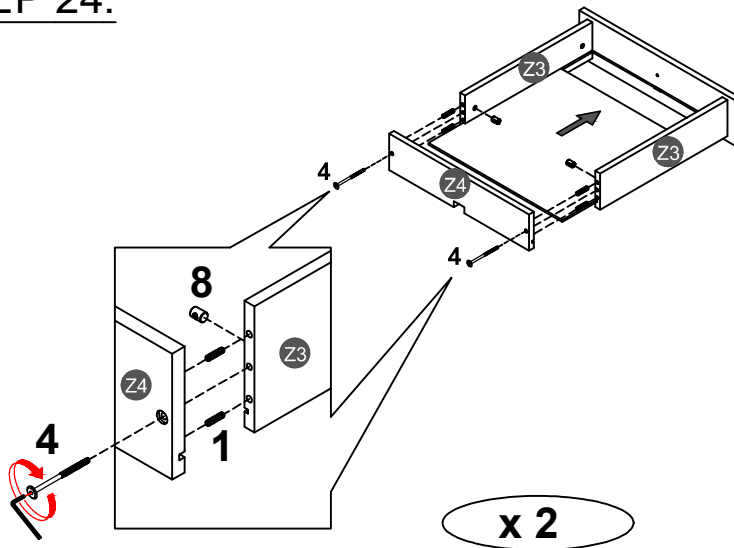


STEP 23:



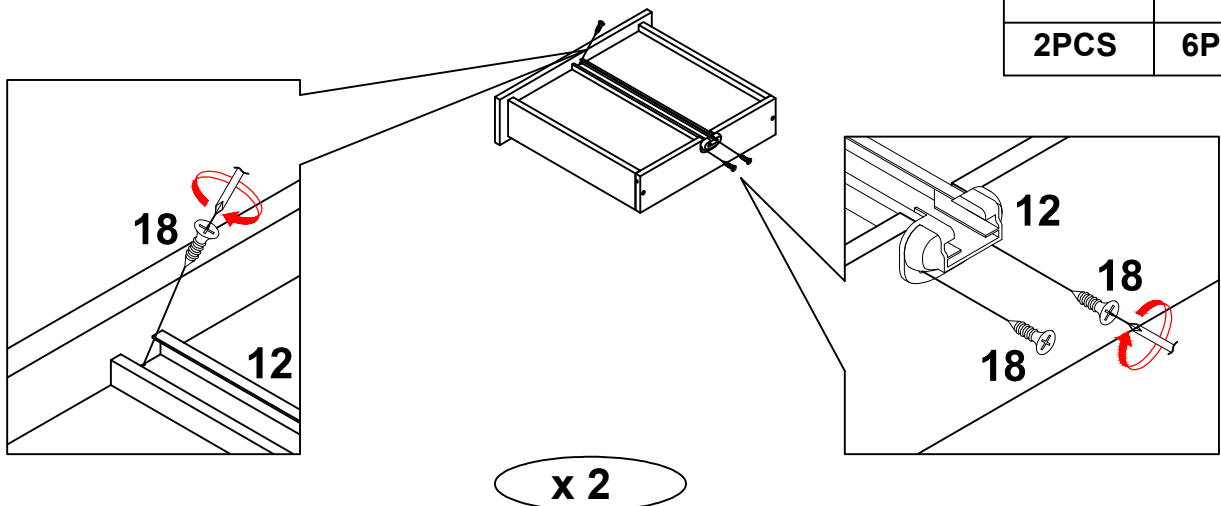
1		8	
8PCS		4PCS	
		4	
		4PCS	

STEP 24:



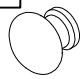

1		8	
8PCS		4PCS	
		4	
		4PCS	

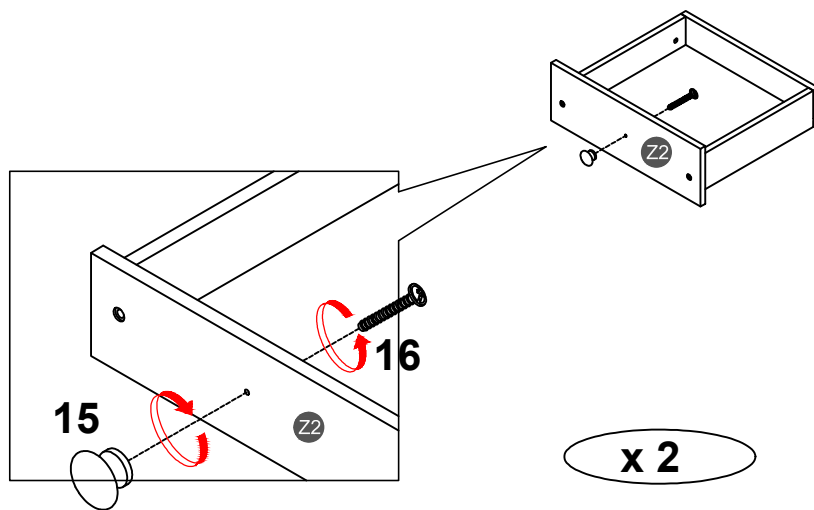
STEP 25:



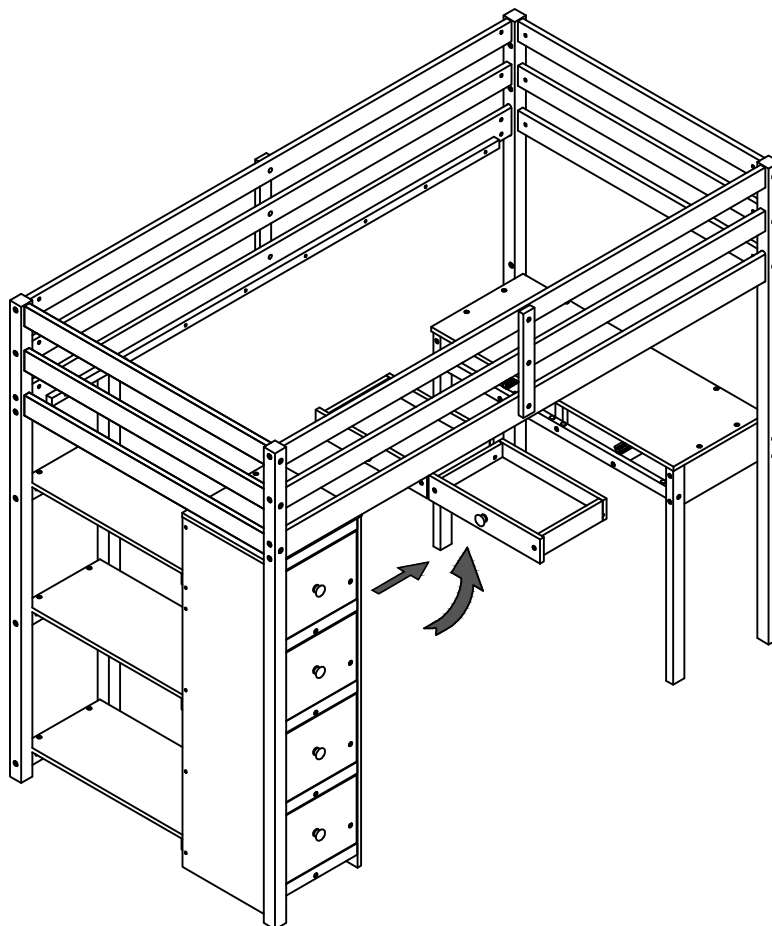
12		18	
2PCS		6PCS	

STEP 26:



15		16	
2PCS		2PCS	

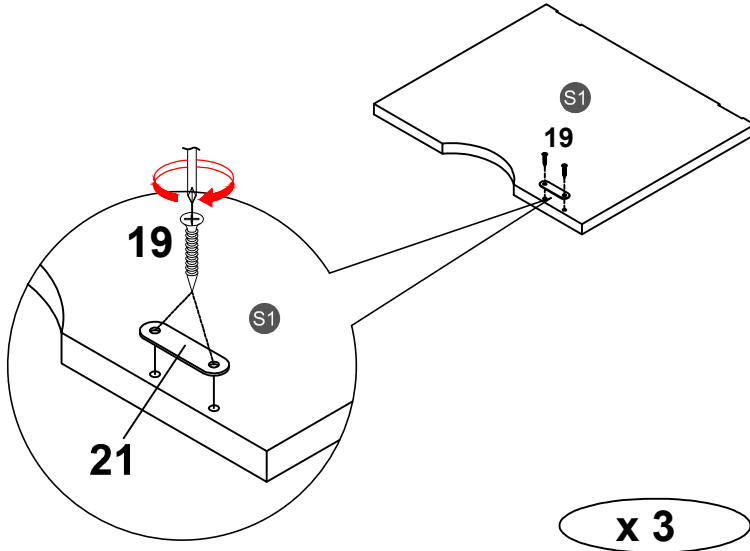


STEP 27:


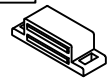


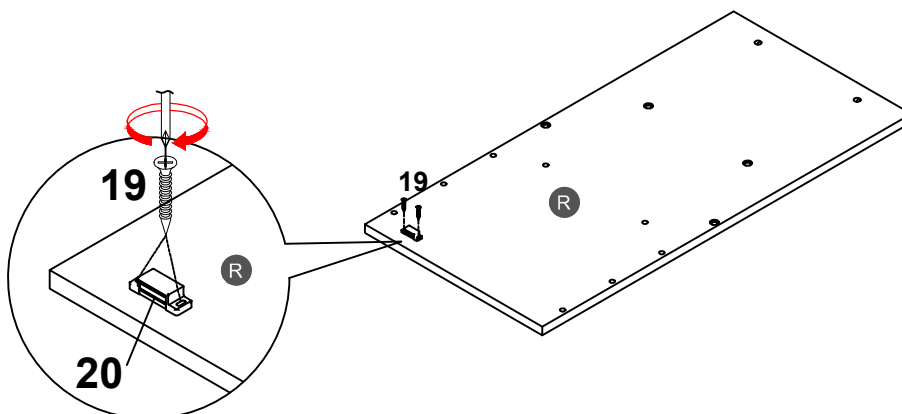
STEP 28:

19		21	
6PCS		3PCS	


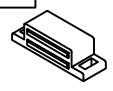


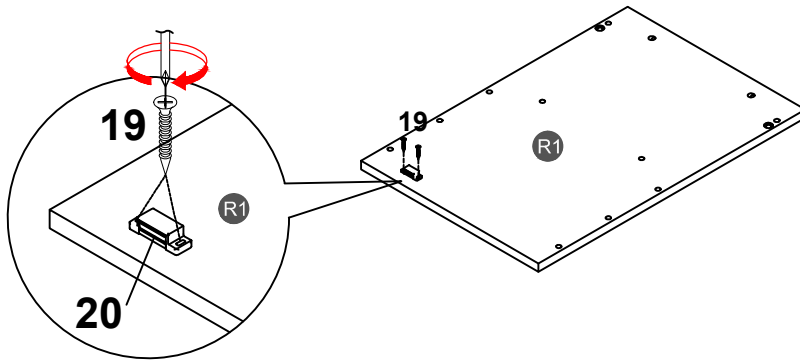
STEP 29:

19		20	
2PCS		1PC	


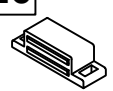


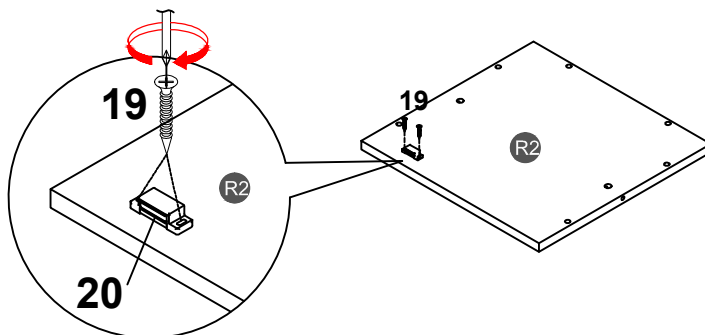
STEP 30:

19		20	
2PCS		1PC	





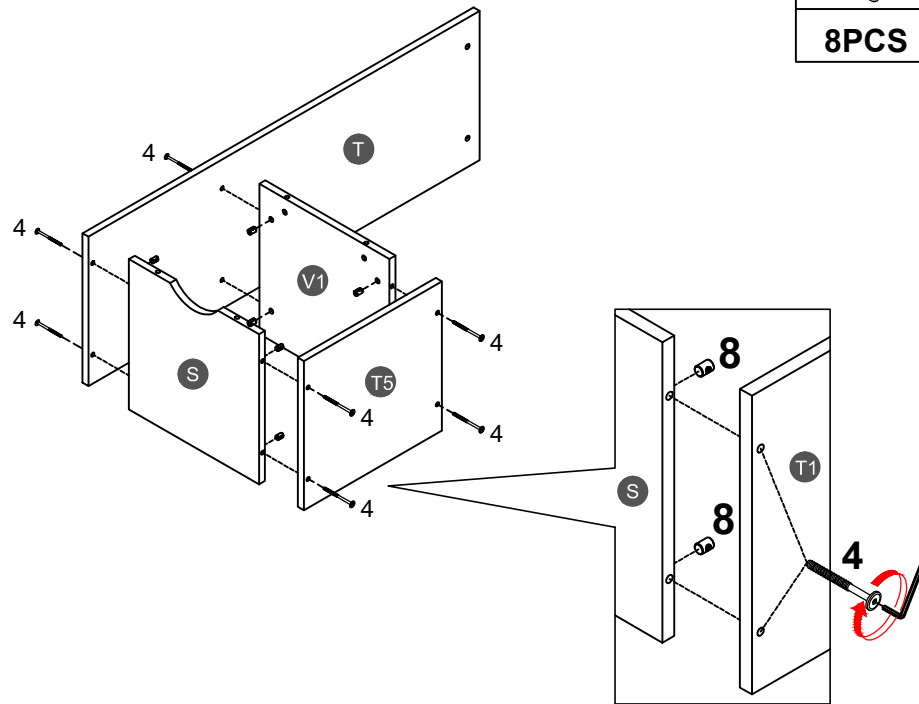
STEP 31:

19		20	
2PCS		1PC	






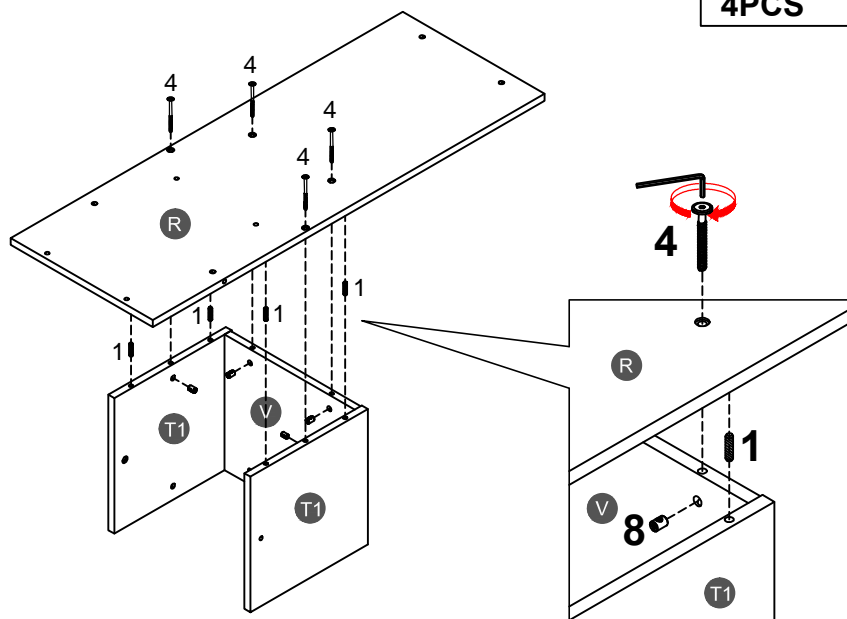
STEP 32:

4		8	
8PCS		8PCS	






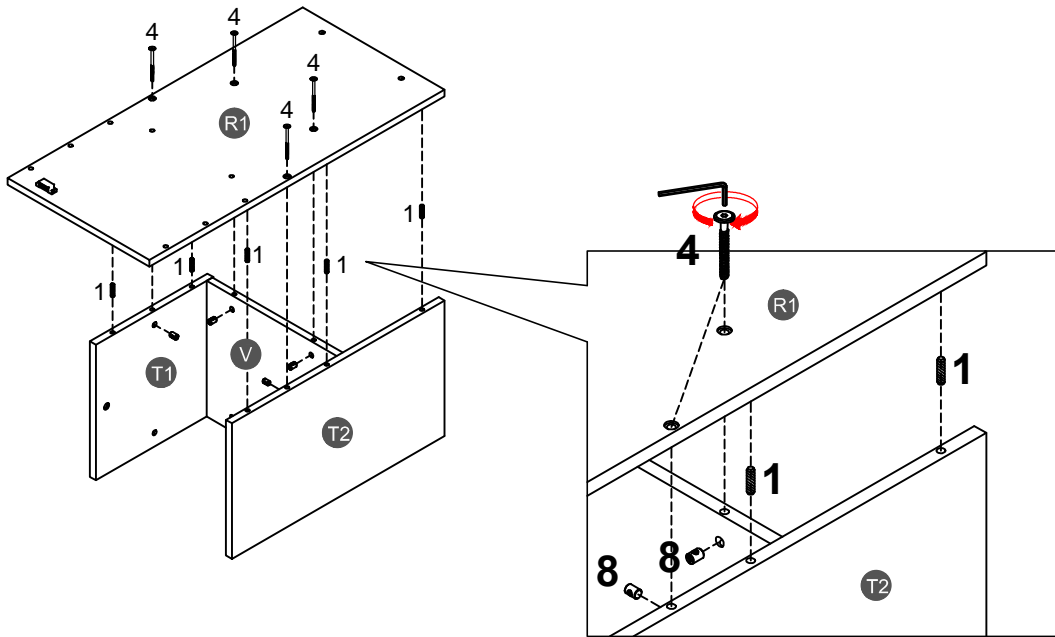
STEP 33:

1		4		8	
4PCS		4PCS		4PCS	





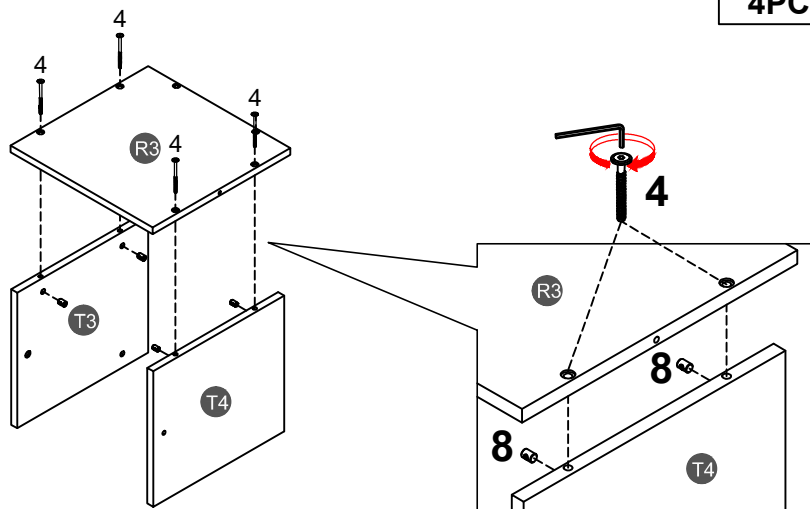
STEP 34:

1 	4 	8 
5PCS	4PCS	4PCS






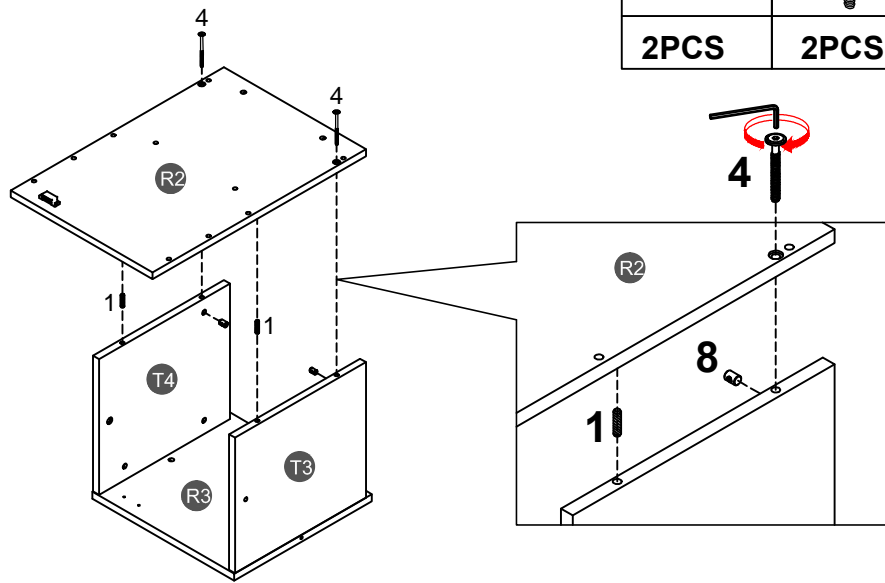
STEP 35:

4 	8 
4PCS	4PCS





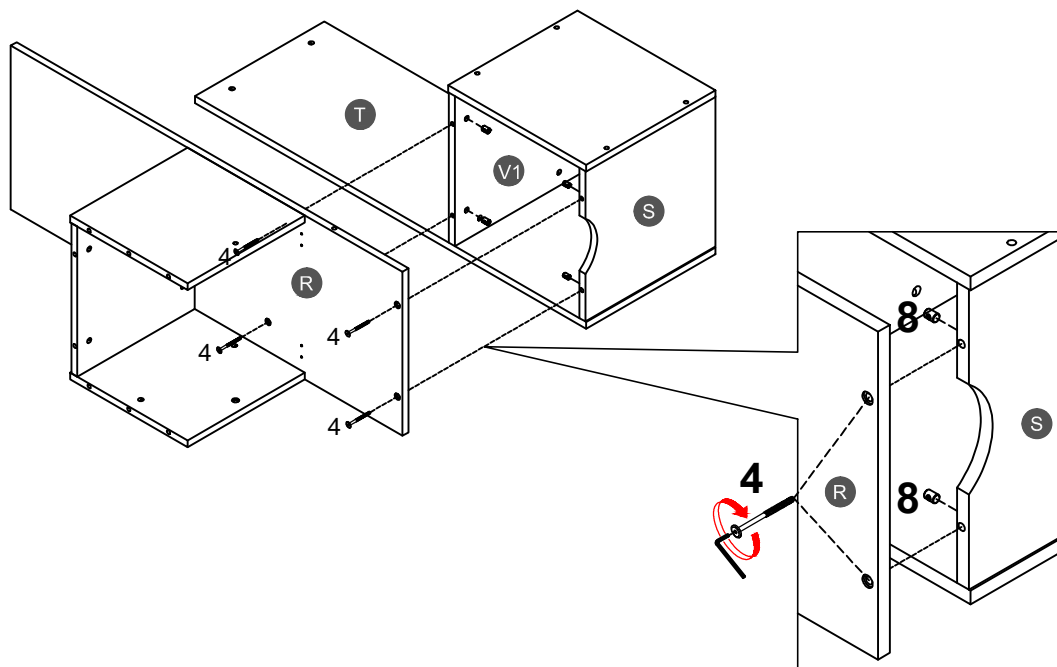
STEP 36:

1		4		8	
2PCS		2PCS		2PCS	






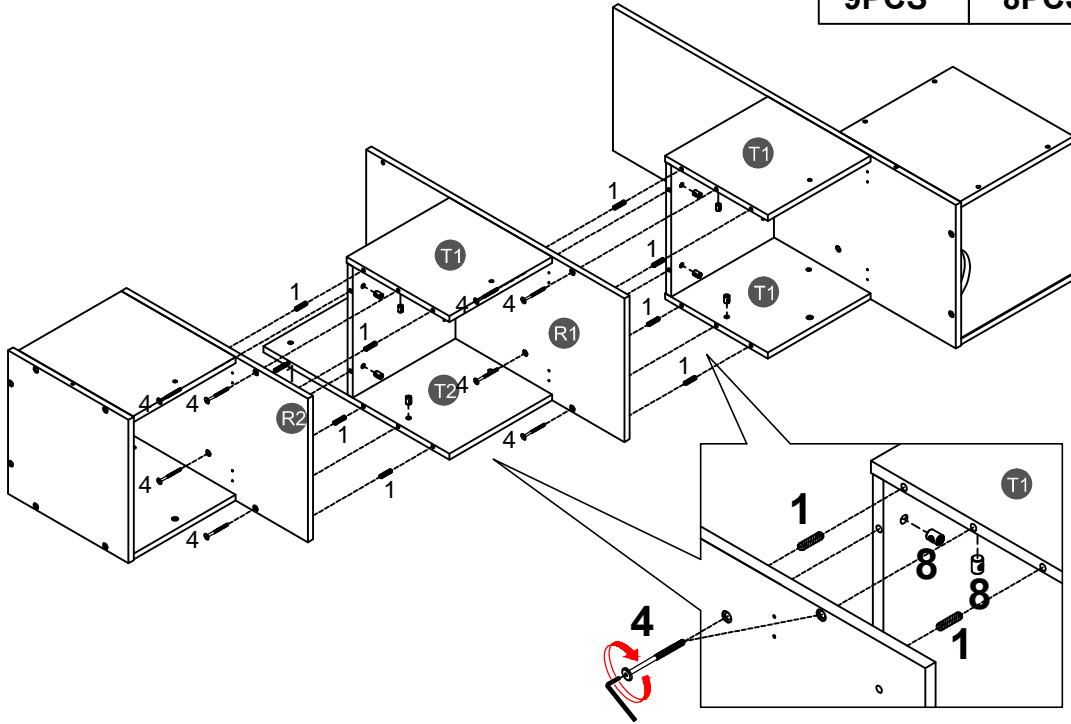
STEP 37:

4		8	
4PCS		4PCS	






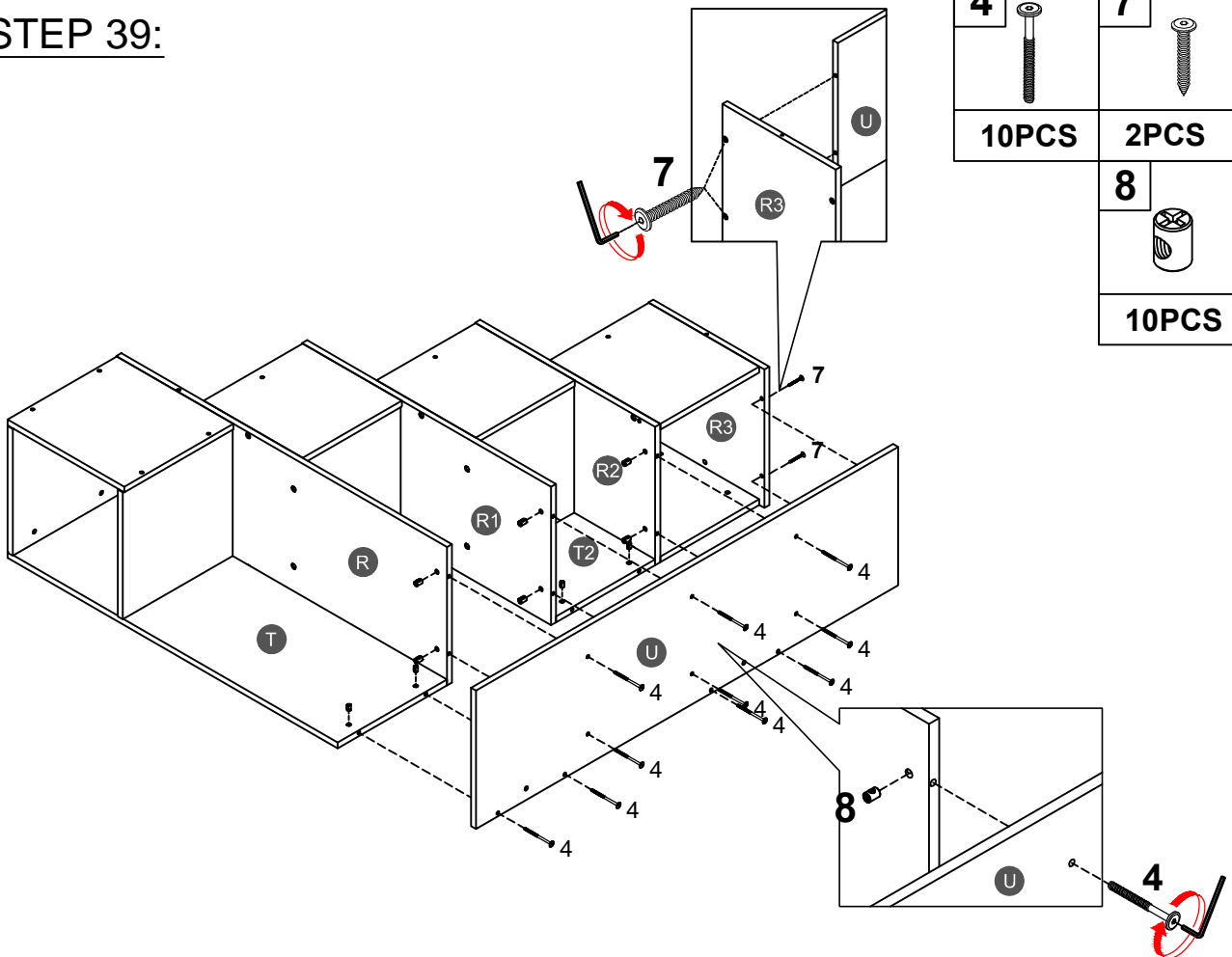
STEP 38:

1 	4 	8 
9PCS	8PCS	8PCS




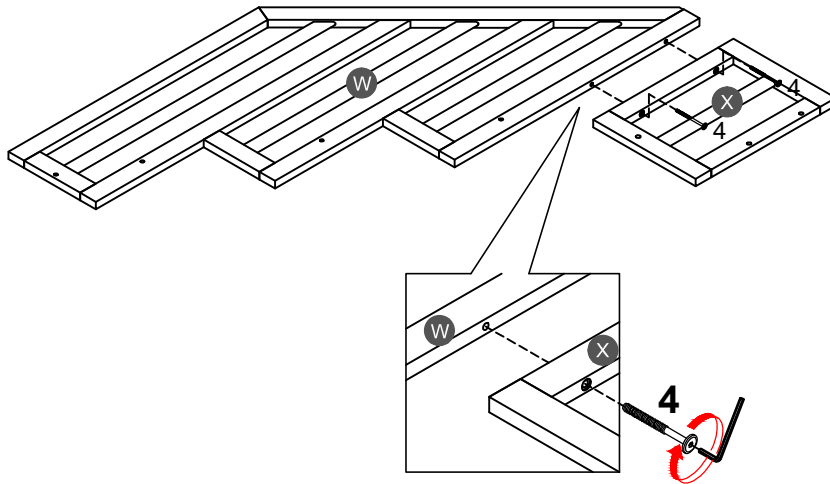
STEP 39:

4 	7 
10PCS	2PCS
8 	
10PCS	






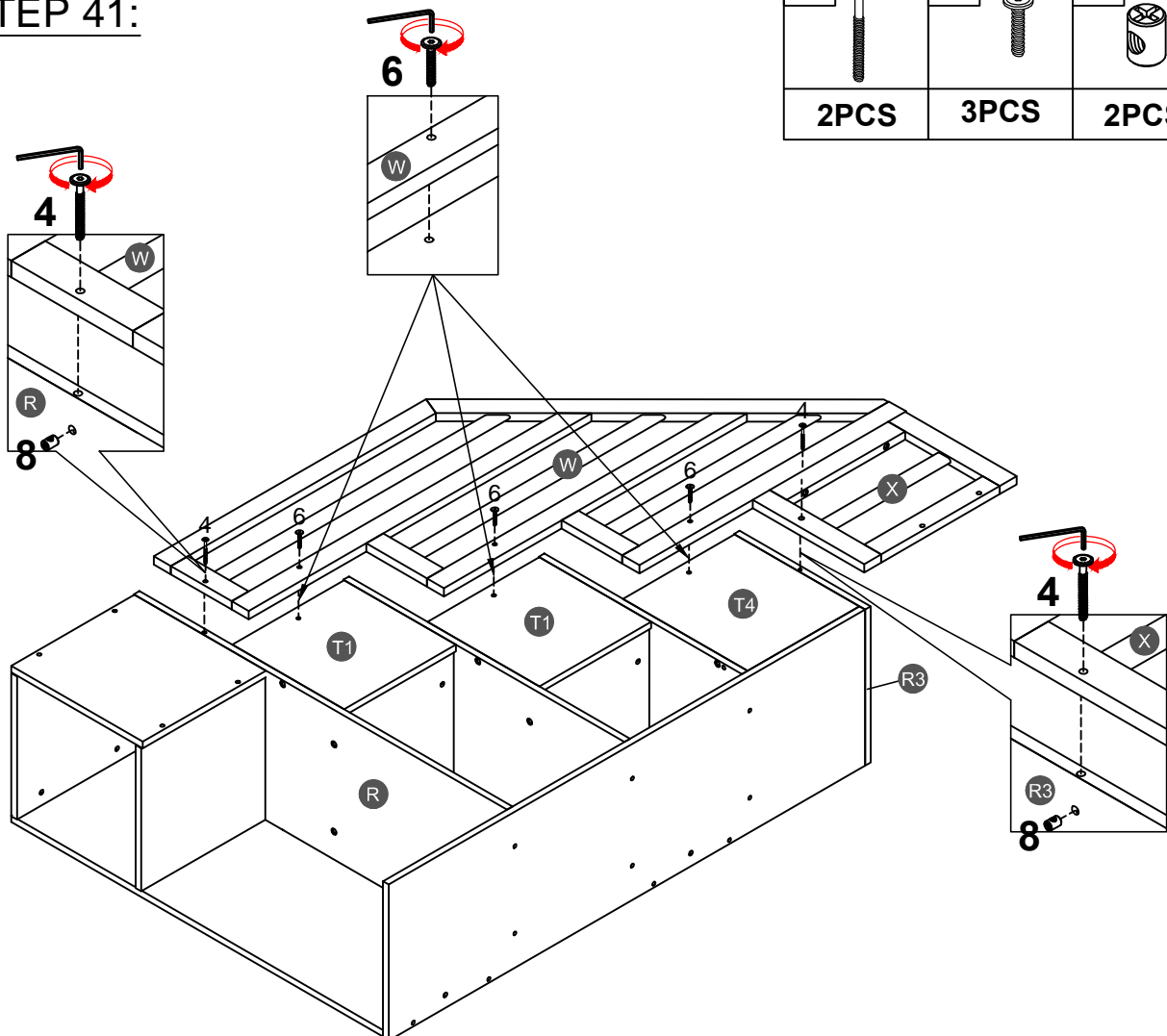
STEP 40:

4	
2PCS	

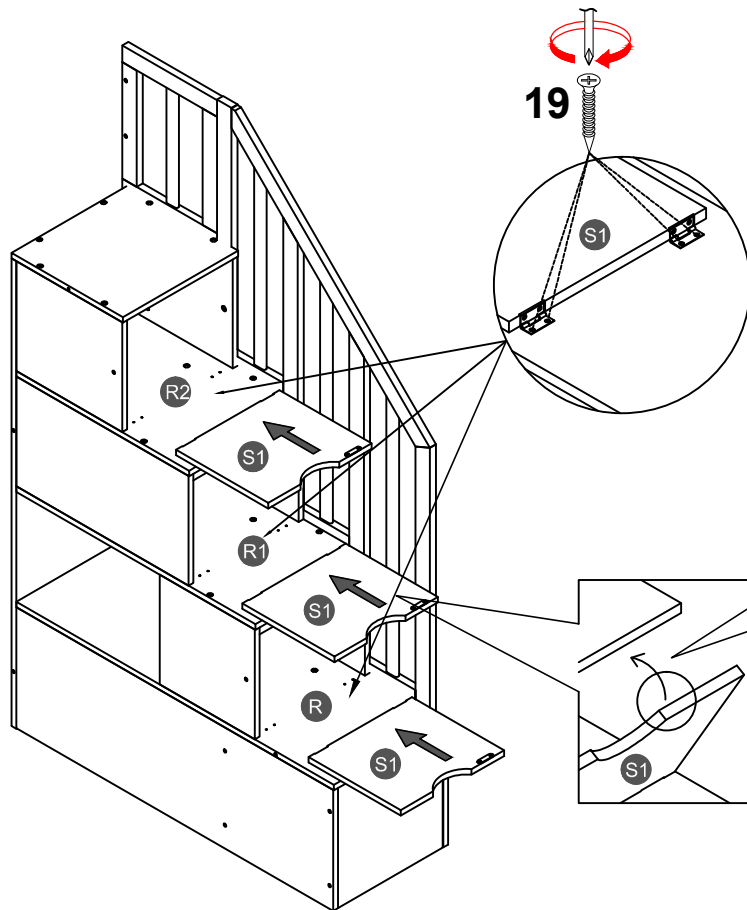



STEP 41:

4	6	8
		
2PCS	3PCS	2PCS

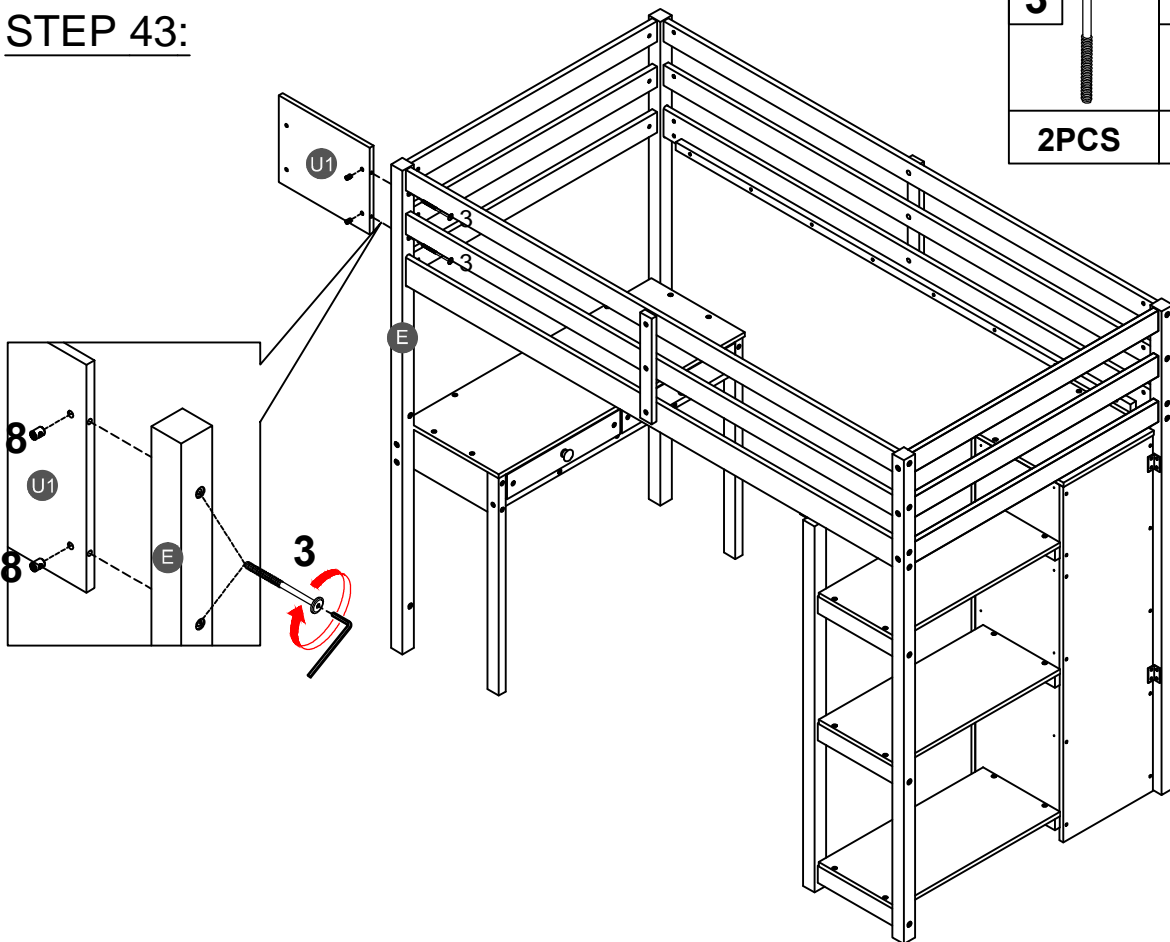




STEP 42:








19	
12PCS	

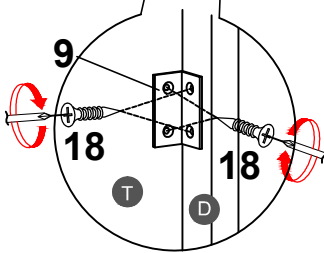
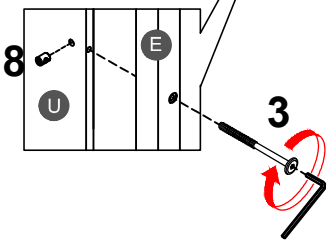
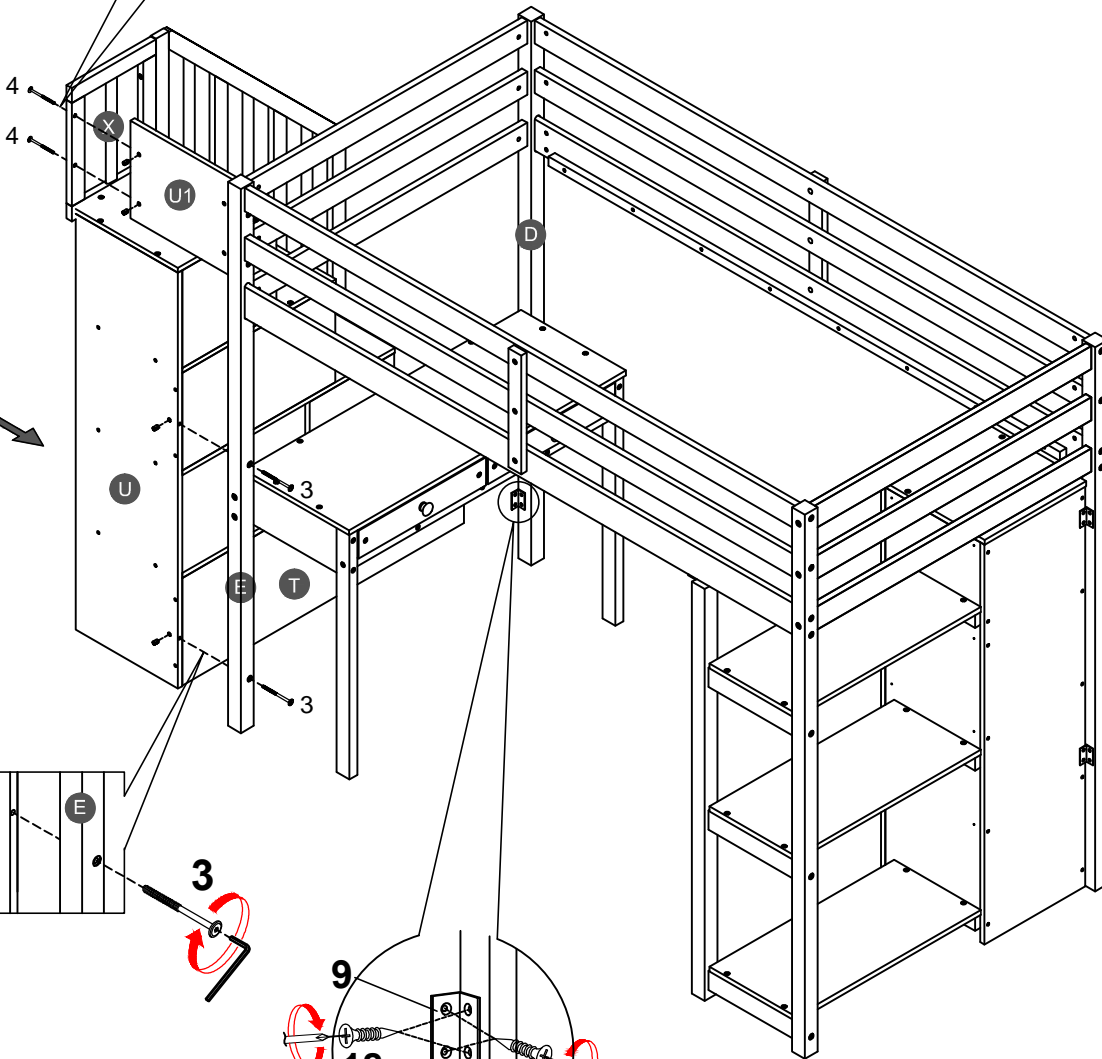
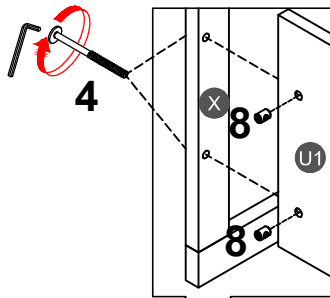
STEP 43:



3	8
	
2PCS	2PCS

STEP 44:

3		4		8		9		18	
2PCS		2PCS		4PCS		1PC		4PCS	

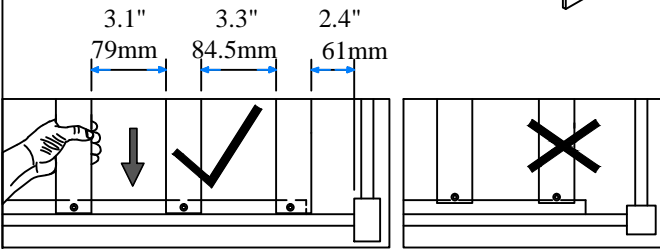
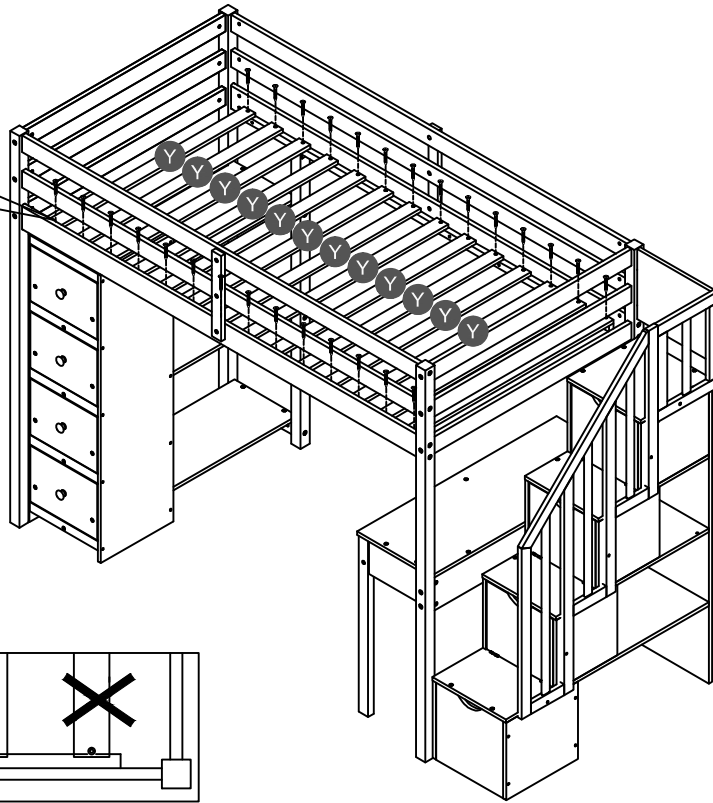
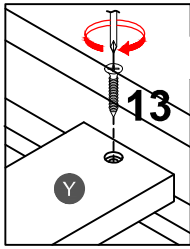


STEP 45:

13



28PCS



Note: Do not lock the screws of the bed slats to the outermost edge of the bed slats, you need to leave a certain space at the edges, otherwise it will cause the board to break. Do not lock the bed slats on the edge of the wood, please hold firmly before screwing, hold it in place with one hand, then lock the screw.

