

# ASSEMBLY INSTRUCTIONS

*Bar Stool*

*Counter Stool*

---

Made in China

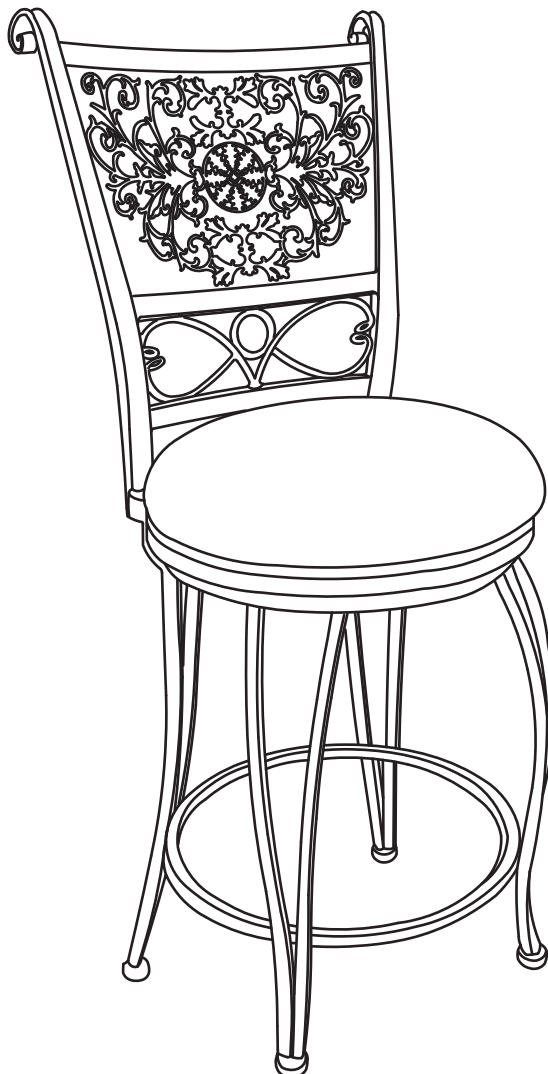
Thank you for purchasing this product. We want to make sure it is complete and to your satisfaction. Please check all packing material carefully for small parts which may have come loose inside the carton during shipment. Hardware can be identified by bright red packaging. Separate, identify, and count all parts and hardware to make sure they match with the illustrations herein and are all present. If any part(s) are missing or defective please contact Customer Service. Thank you.

ATTENTION: SOME LETTERED PARTS LISTED ON THE INSTRUCTION SHEET MAY NOT BE IN PARTS BAG AS THEY MAY ALREADY BE ASSEMBLED. CAREFULLY CHECK PARTS AND PACKING MATERIALS PRIOR TO ORDERING REPLACEMENTS.

Tools Required for assembly: Allen Wrench (included)

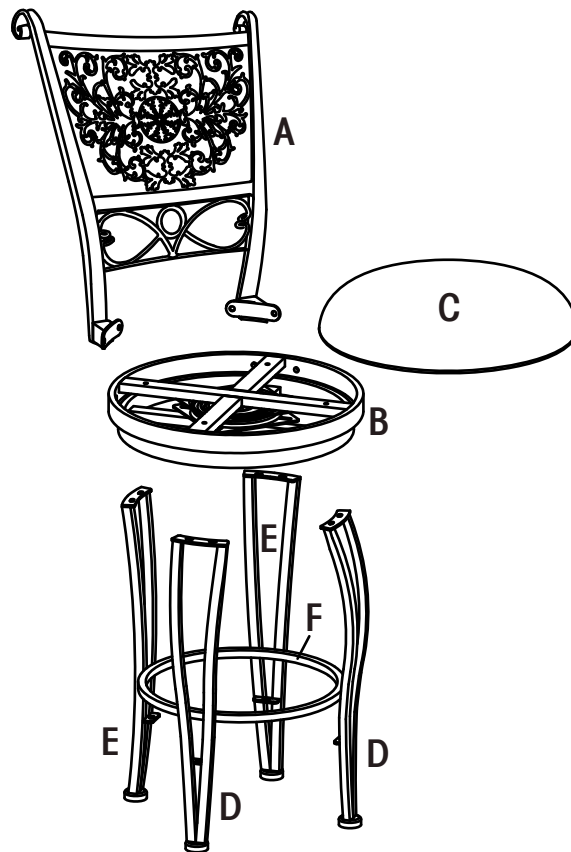
Phillips Screwdriver (not included)

WARNING: DO NOT FULLY TIGHTEN SCREWS AND BOLTS UNTIL ALL PARTS HAVE BEEN ASSEMBLED PROPERLY.  
TO PREVENT SCRATCHING THE TOP SURFACE, ASSEMBLE PRODUCT ON A SMOOTH SURFACE.  
DO NOT OVER TIGHTEN SCREWS AND BOLTS.



# PARTS

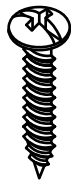
- (A) BACK FRAME
- (B) SEAT FRAME
- (C) CUSHION
- (D) FRONT LEGS (2)
- (E) BACK LEGS (2)
- (F) BOTTOM SUPPORT RING



# HARDWARE



G  
(16PCS)



I  
(4PCS)



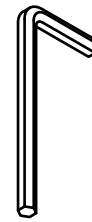
J  
(4PCS)



K  
(16PCS)



L  
(12PCS)

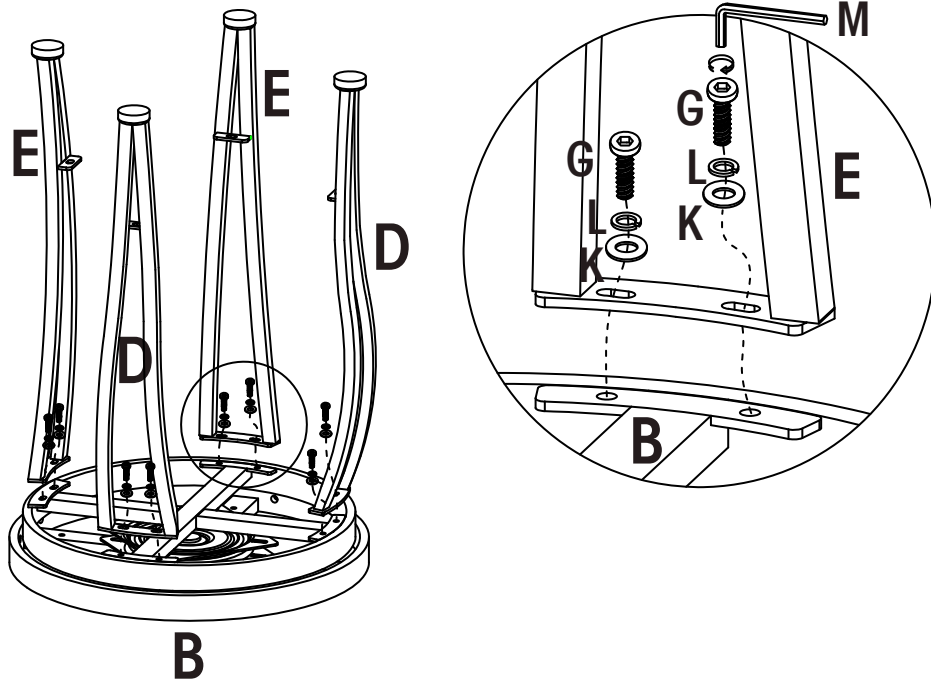


M  
(1PC)

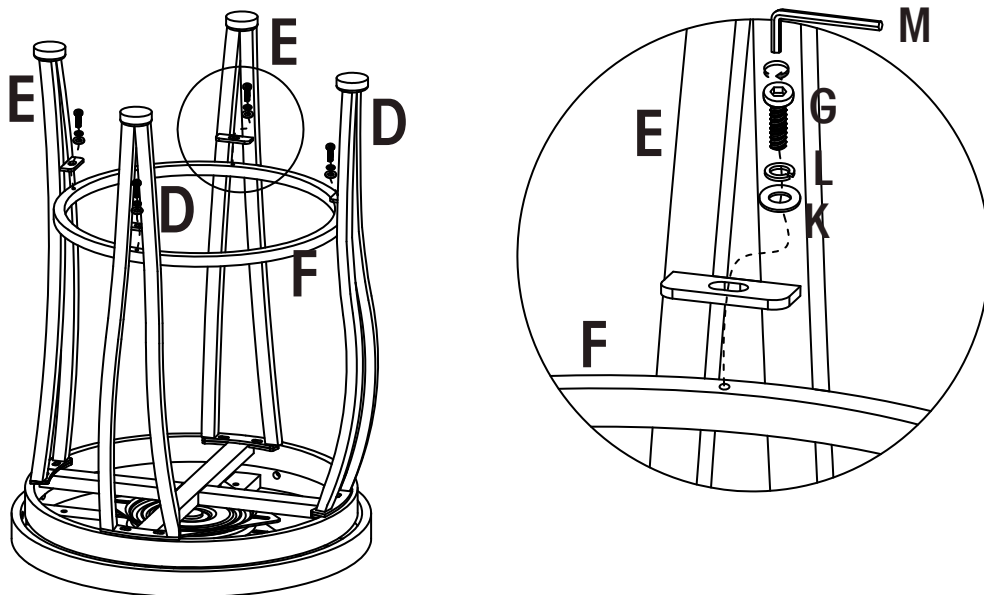


N  
(1PC)

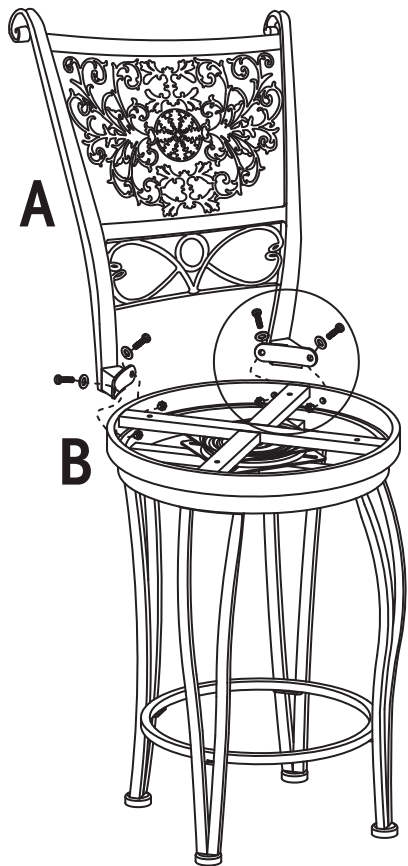
## STEP 1



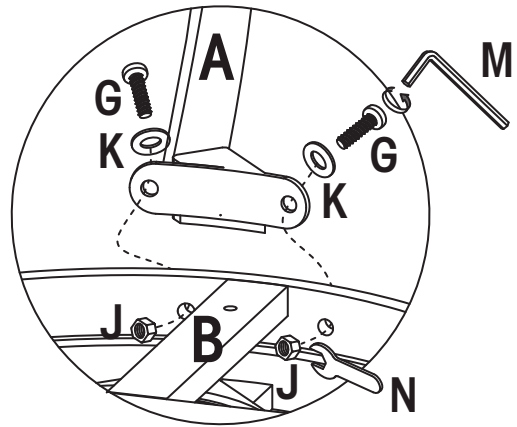
## STEP 2



**IMPORTANT: DO NOT TIGHTEN COMPLETELY ANY BOLT UNTIL ALL LINED-UP BOLTS ARE CONNECTED TO INSERTED NUTS.**



### STEP 3



### STEP 4

