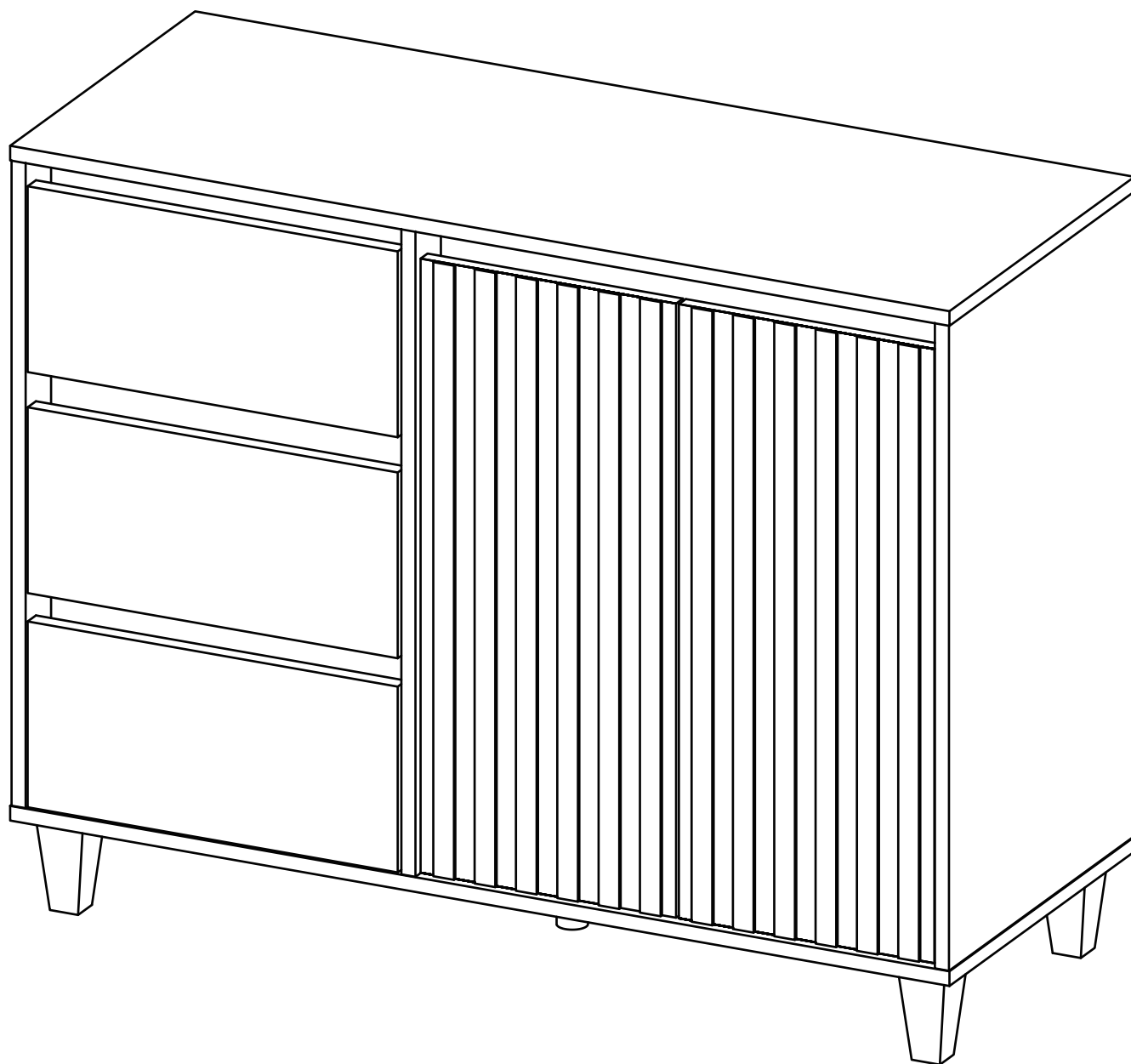
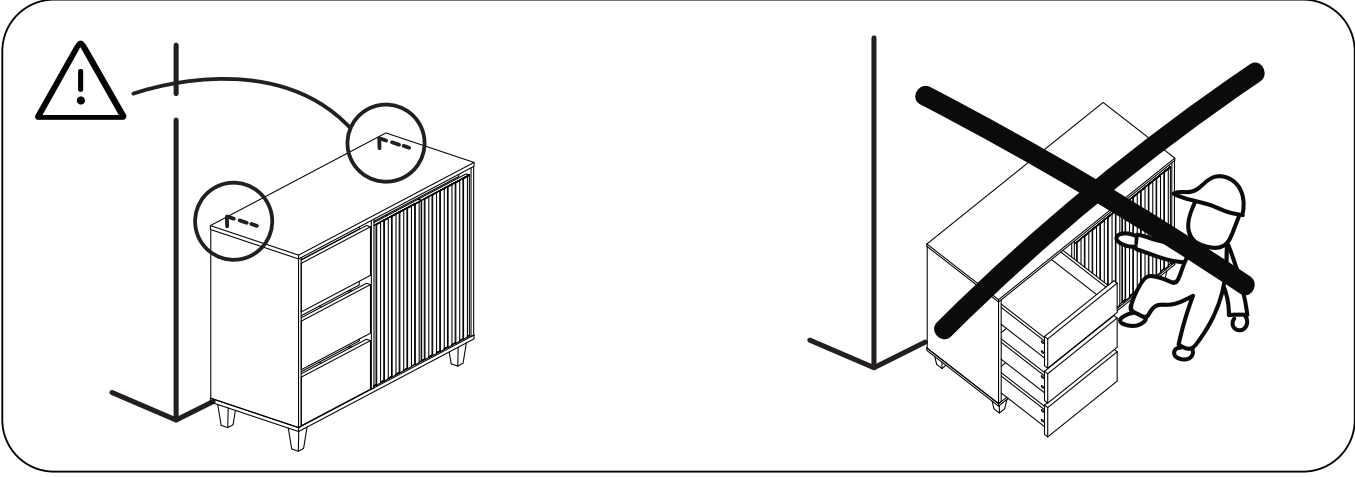
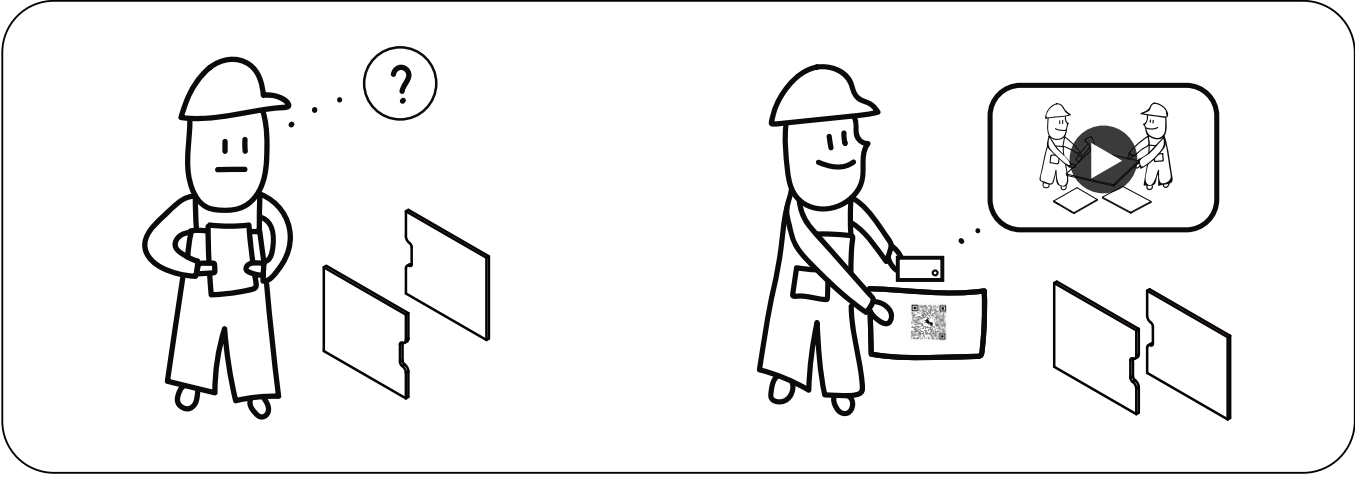
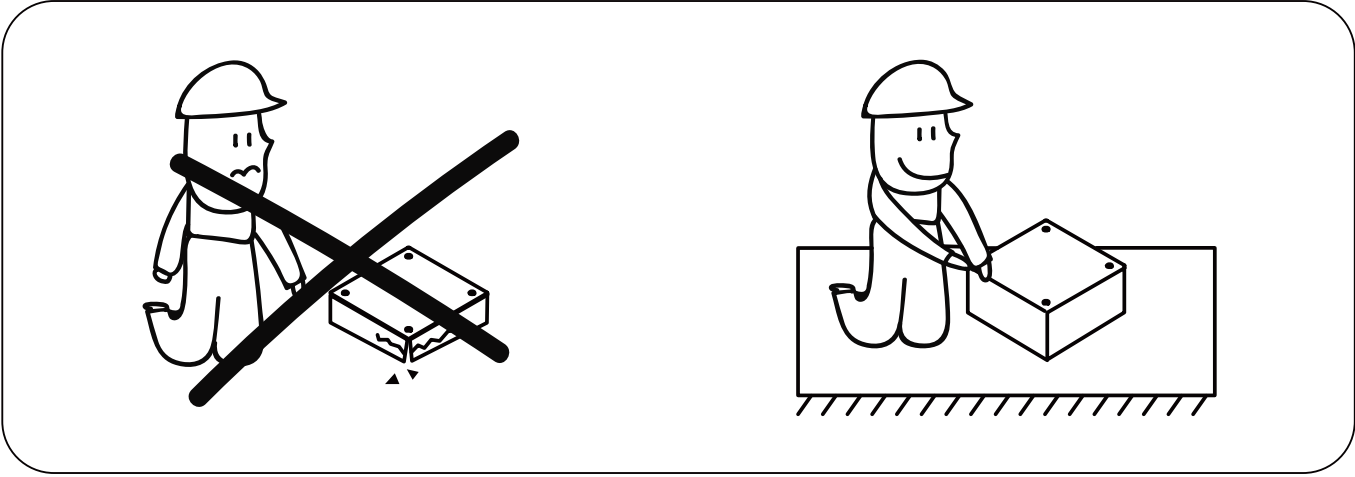
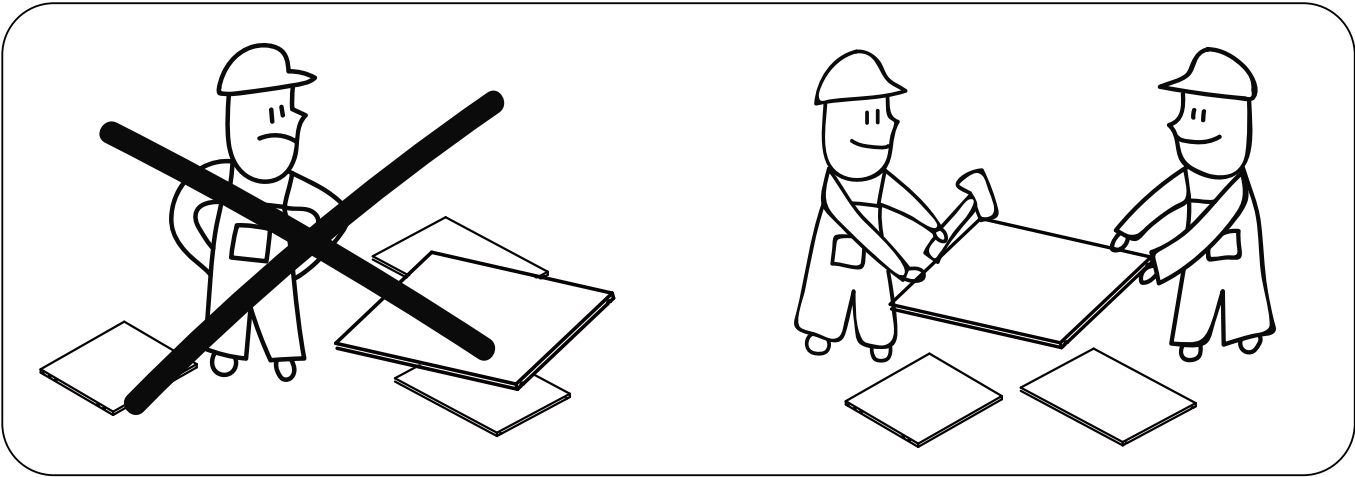


Sideboard cabinet

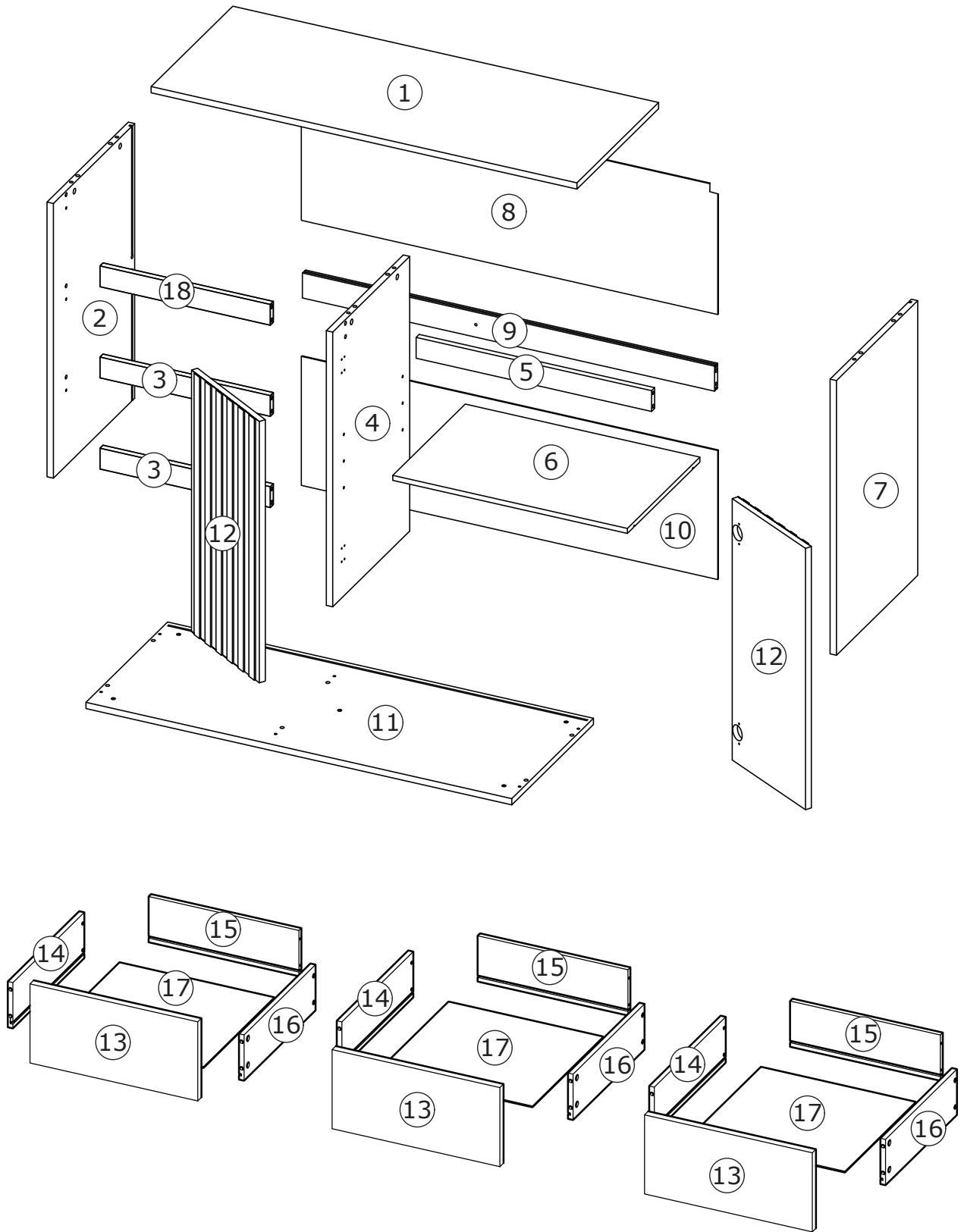




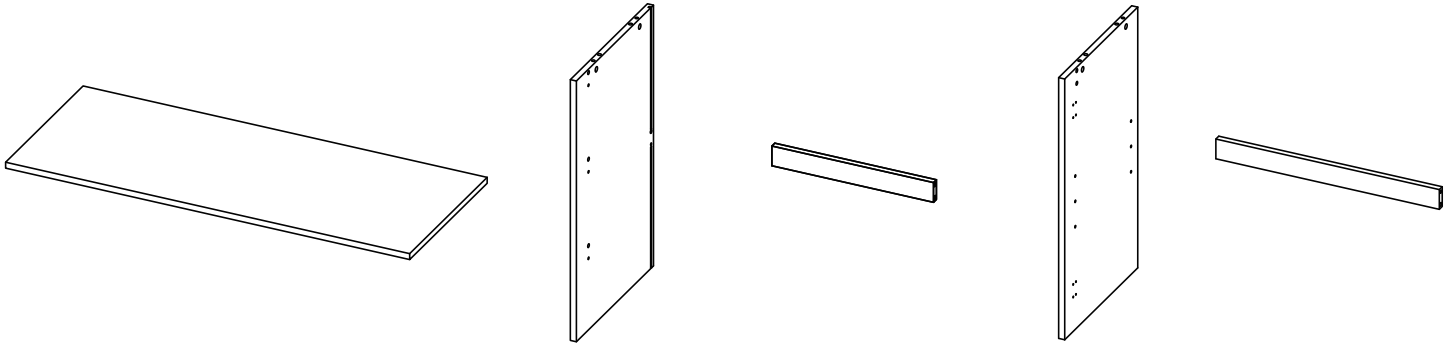
1. Serious or fatal crushing injuries can occur as a result of furniture tip-over.
2. The installation process must strictly adhere to these instructions, as incorrect installation may create safety hazards.
3. To prevent tip-over incidents, it is essential to use the provided wall attachment device(s).
4. While the use of the wall attachment can reduce the risk of tip-over, it cannot completely eliminate it.
5. Regularly inspect and ensure that the anchor is securely maintained.
6. It is crucial not to allow children to climb or hang on drawers.
7. Although your product includes a wall attachment, please note that screws and plugs for securing it to the wall need to be purchased separately according to your specific wall type.
8. Your local hardware store will have suitable drill bits and fixings available and can provide guidance if needed.
9. Before drilling holes, always check for any wires or pipes inside the wall (if uncertain, consult a qualified technician).
10. If you are unsure about any aspect, consider hiring a qualified technician for proper installation and securement of the product.



BOARD IDENTIFICATION



PARTS LIST



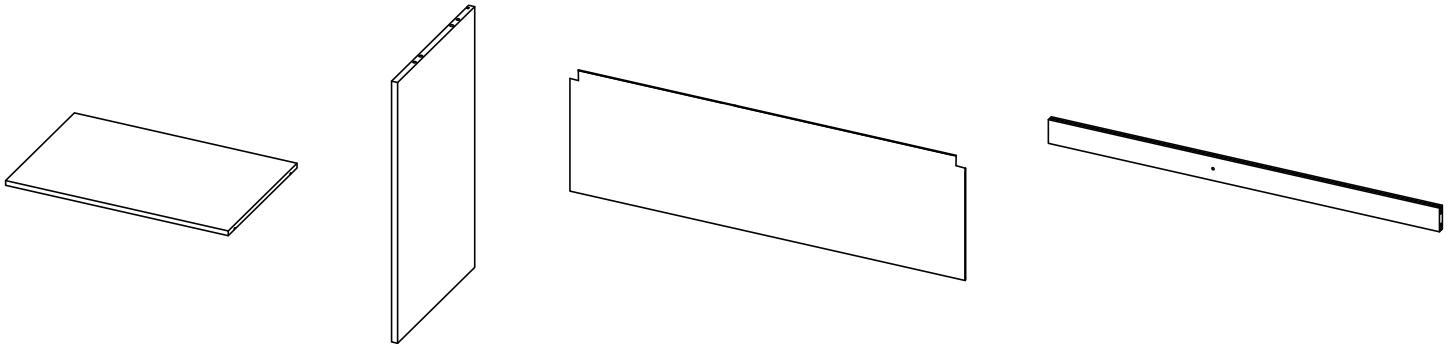
①

②

③ x2

④

⑤

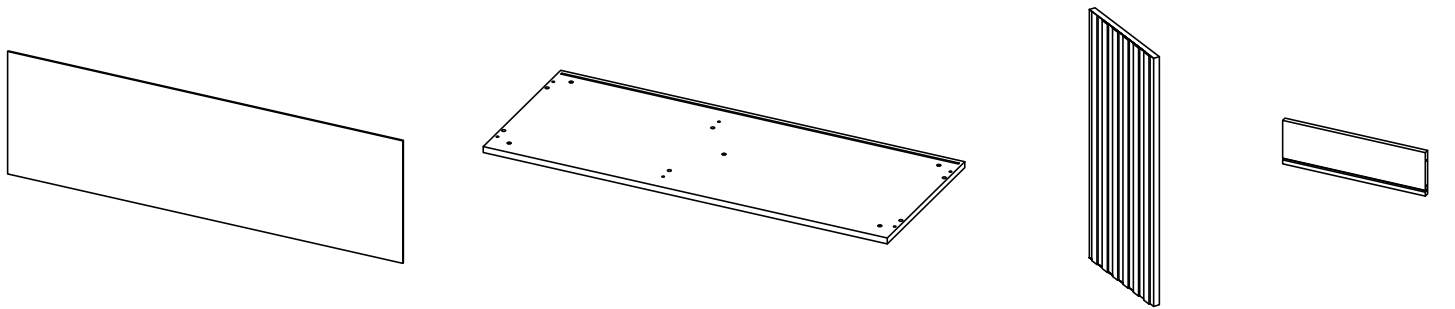


⑥

⑦

⑧

⑨

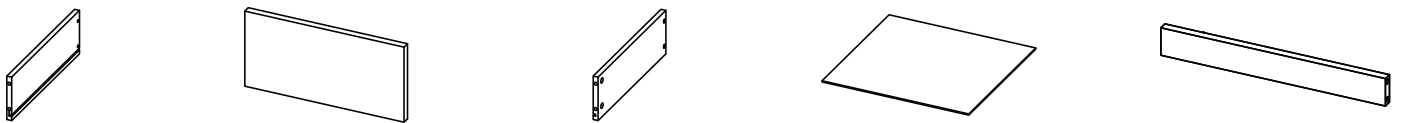


⑩

⑪

⑫ x 2

⑬ x 3



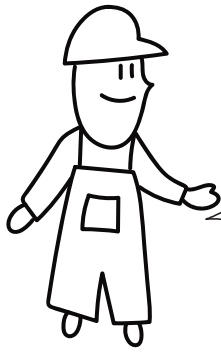
⑭ x 3

⑮ x3

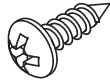
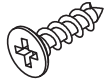
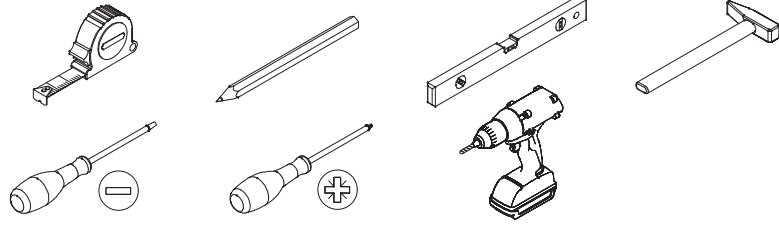
⑯ x3

⑰ X3

⑱



Please prepare the following tools

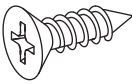
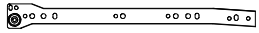
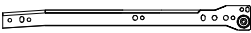
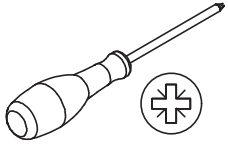



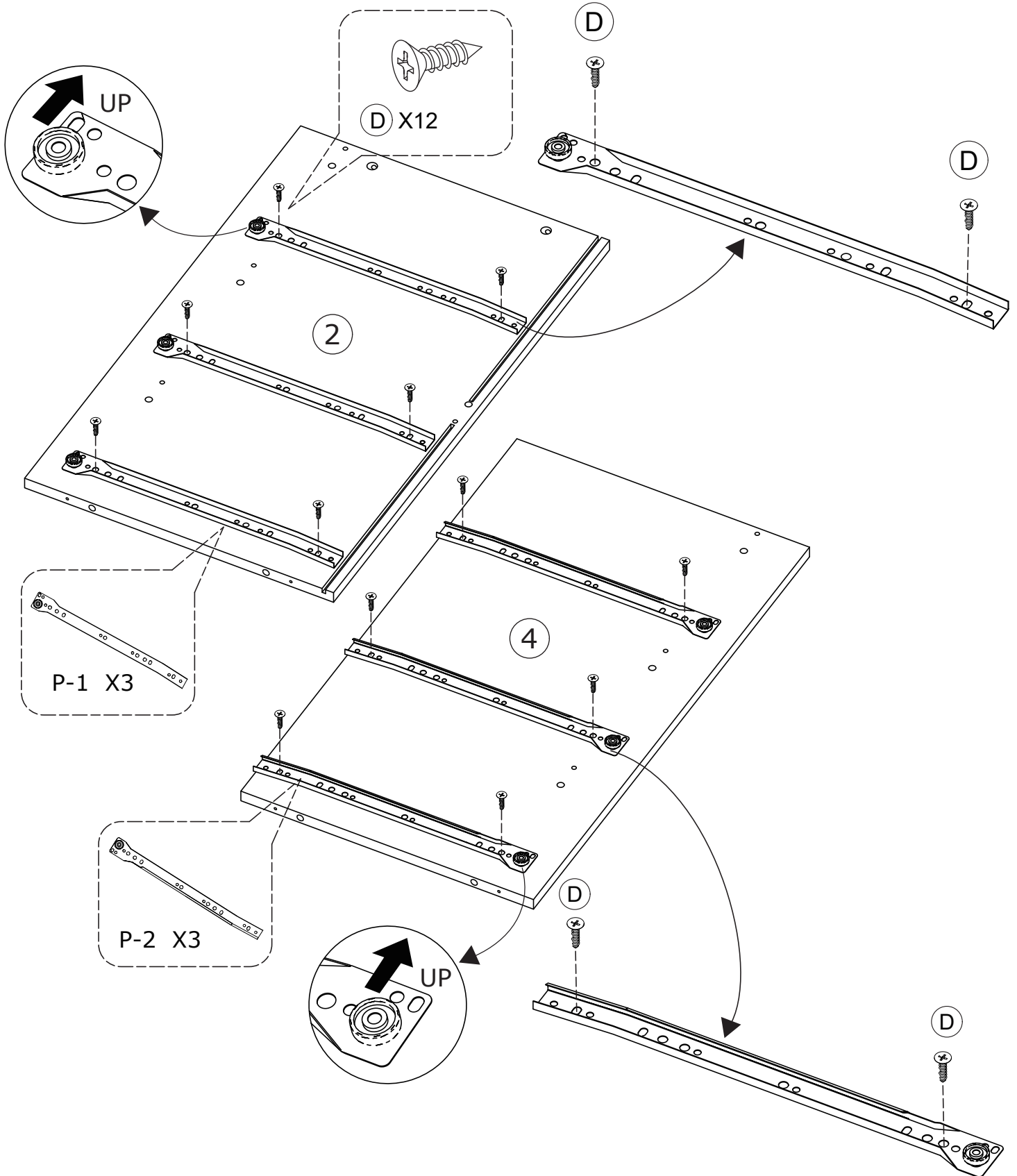
When installing, please carefully confirm whether each screw corresponds to the manual, accessories with similar shapes can be distinguished by size

THE SPARE BAG INCLUDED EXTRA HARDWARE FOR DAMAGED OR MISSING SMALL HARDWARE WHILE YOU ARE ASSEMBLING

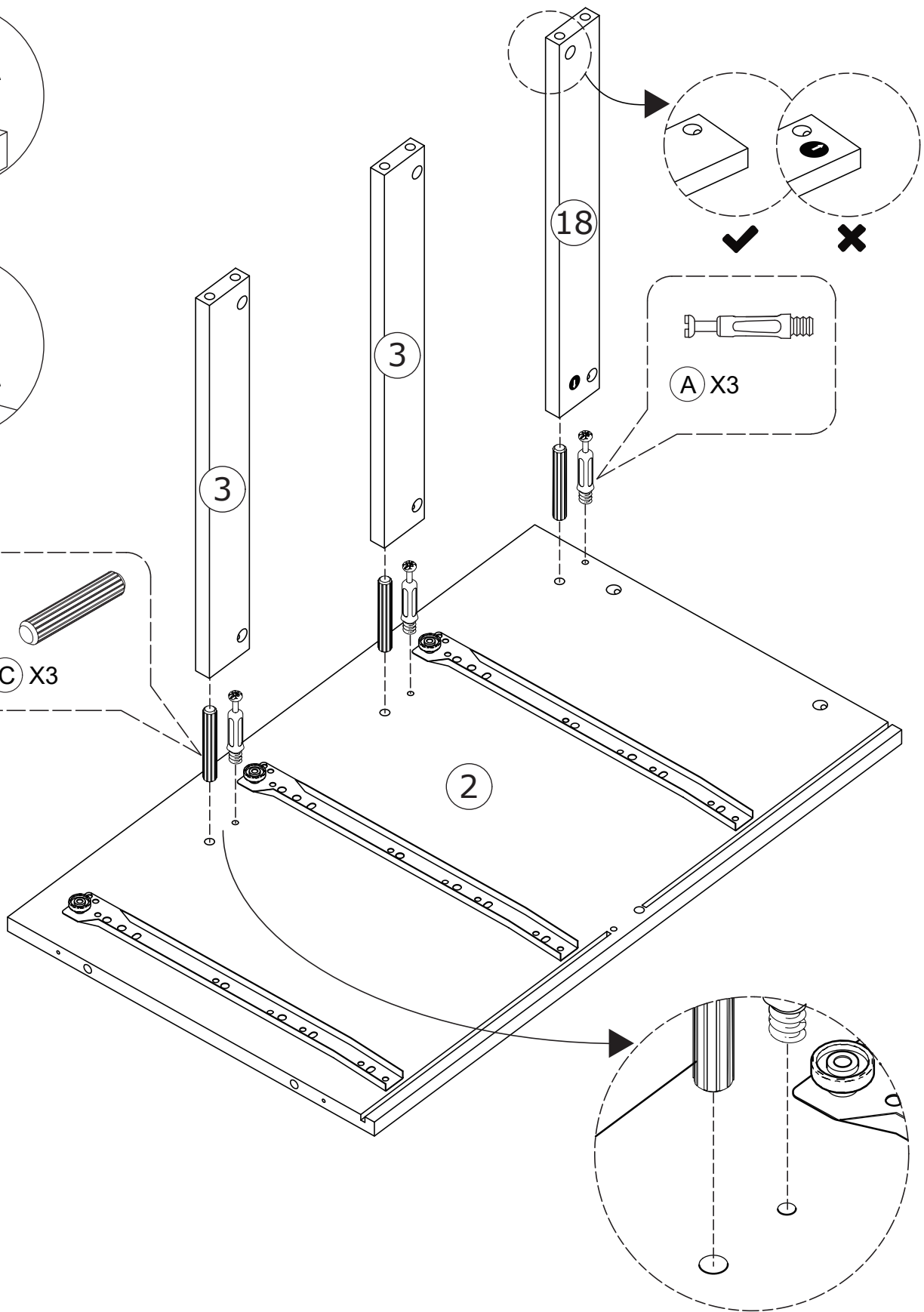
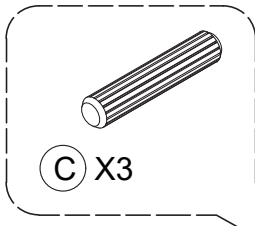
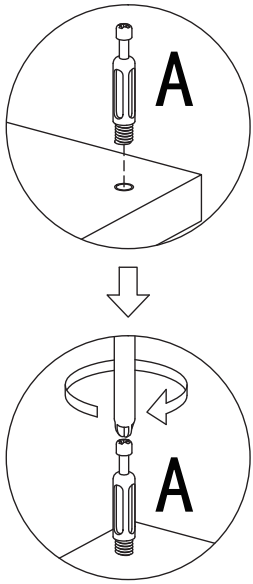
<p>A x 26</p>	<p>B x 28</p> <p>Ø12 x 9.5 mm</p>	<p>C x 28</p> <p>Ø8 x 30 mm</p>	<p>D x 48</p> <p>Ø3.5 x 12 mm</p>
<p>E x 16</p> <p>E-1 E-2</p>	<p>F x 24</p> <p>Ø3.9 x 35 mm</p>	<p>G x 2</p> <p>G-1 G-2 G-3 G-4</p>	<p>H x 4</p>
<p>I x 1</p>	<p>J x 1</p> <p>Ø8 x 60 mm</p>	<p>K x 4</p>	<p>L x 4</p>
<p>M x 1</p>	<p>N x 4</p>	<p>O x 2</p>	<p>P x 3</p> <p>P-1 P-2 P-3 P-4</p>

1

<p>D x 12</p>  <p>Ø3.5 x 12 mm</p>	<p>P-1 X3</p> 	<p>P-2 X3</p> 	 
---	---	---	---

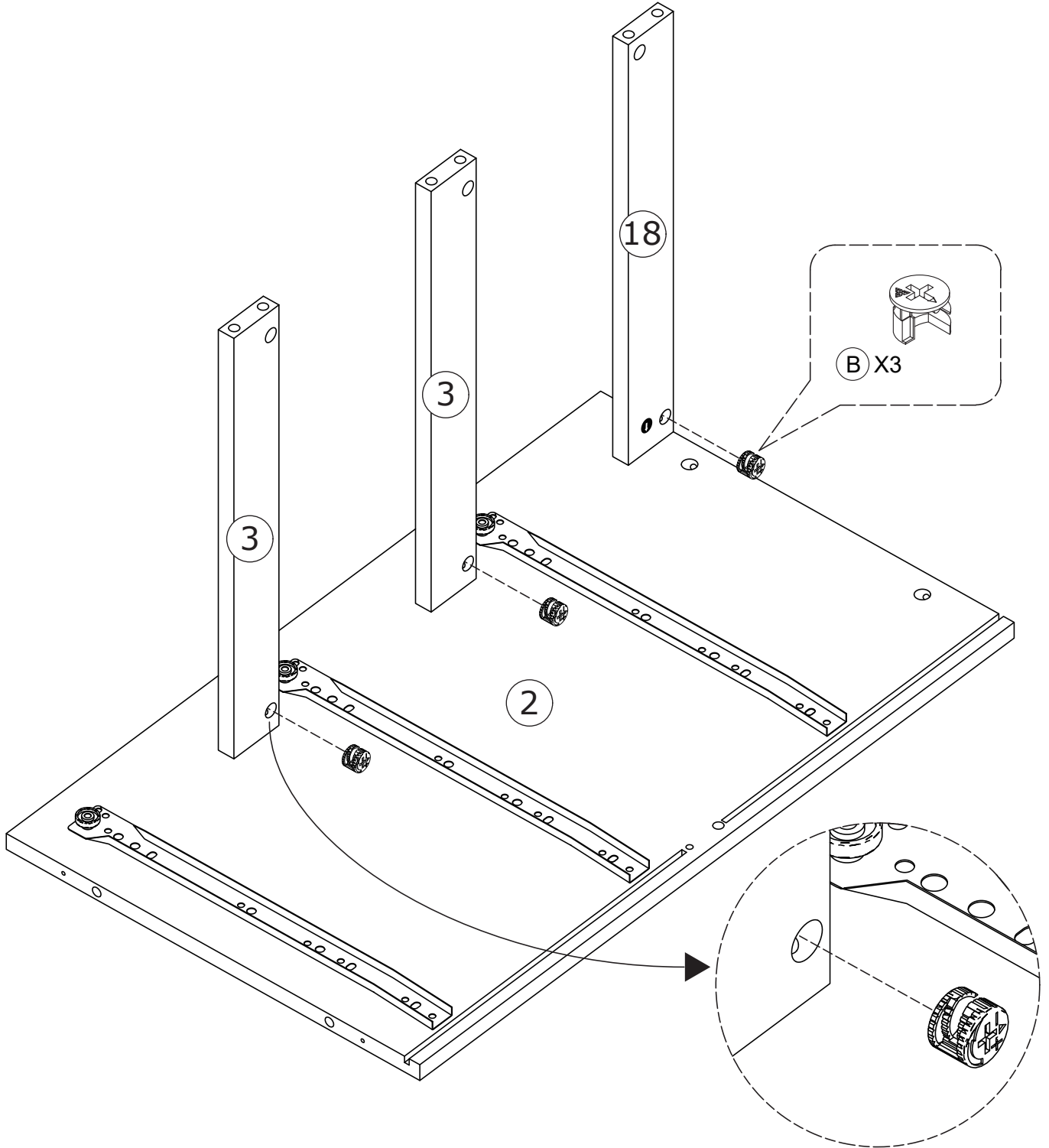
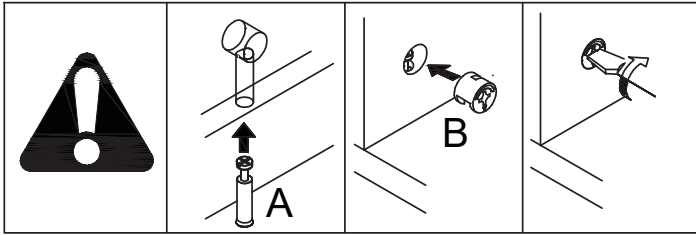


2

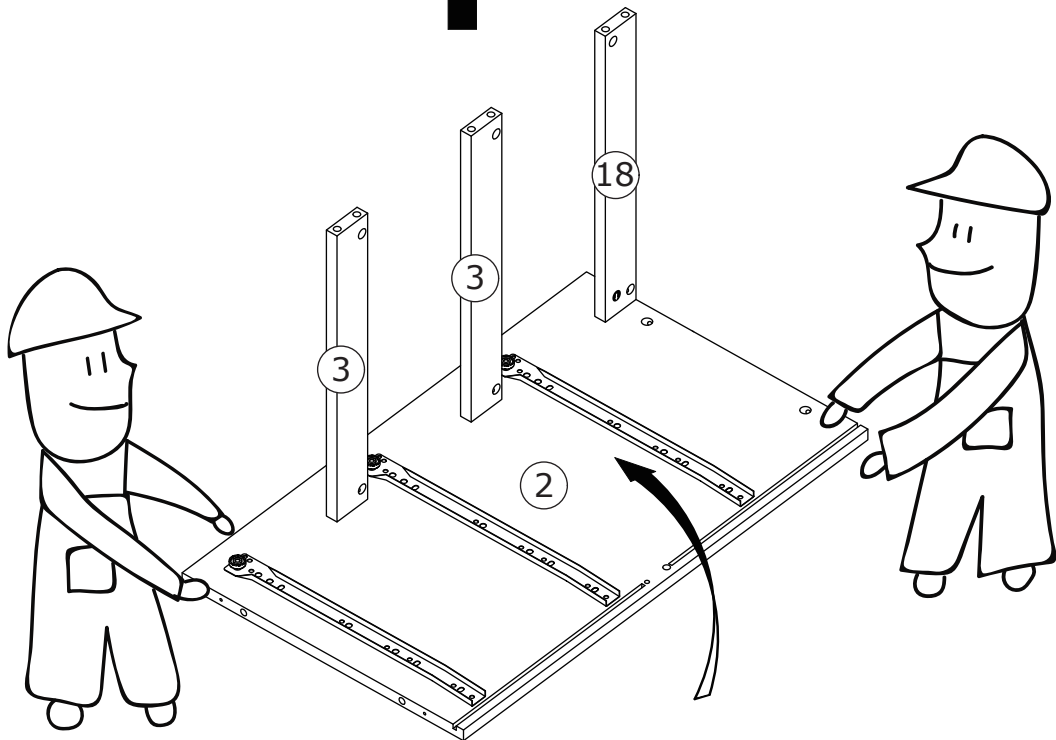
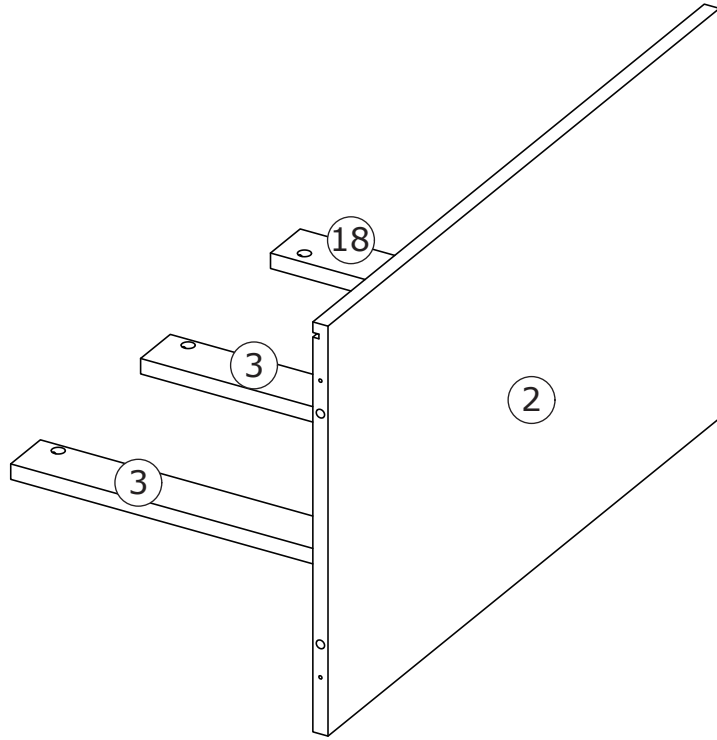
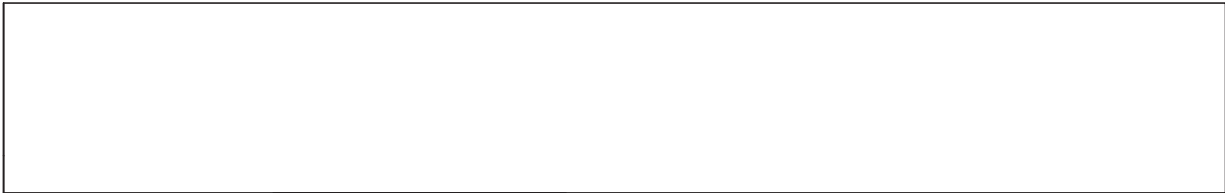


3



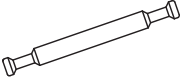

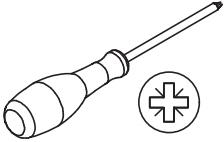

<p>B x 3</p>  <p>Ø12 x 9.5 mm</p>	
--	---

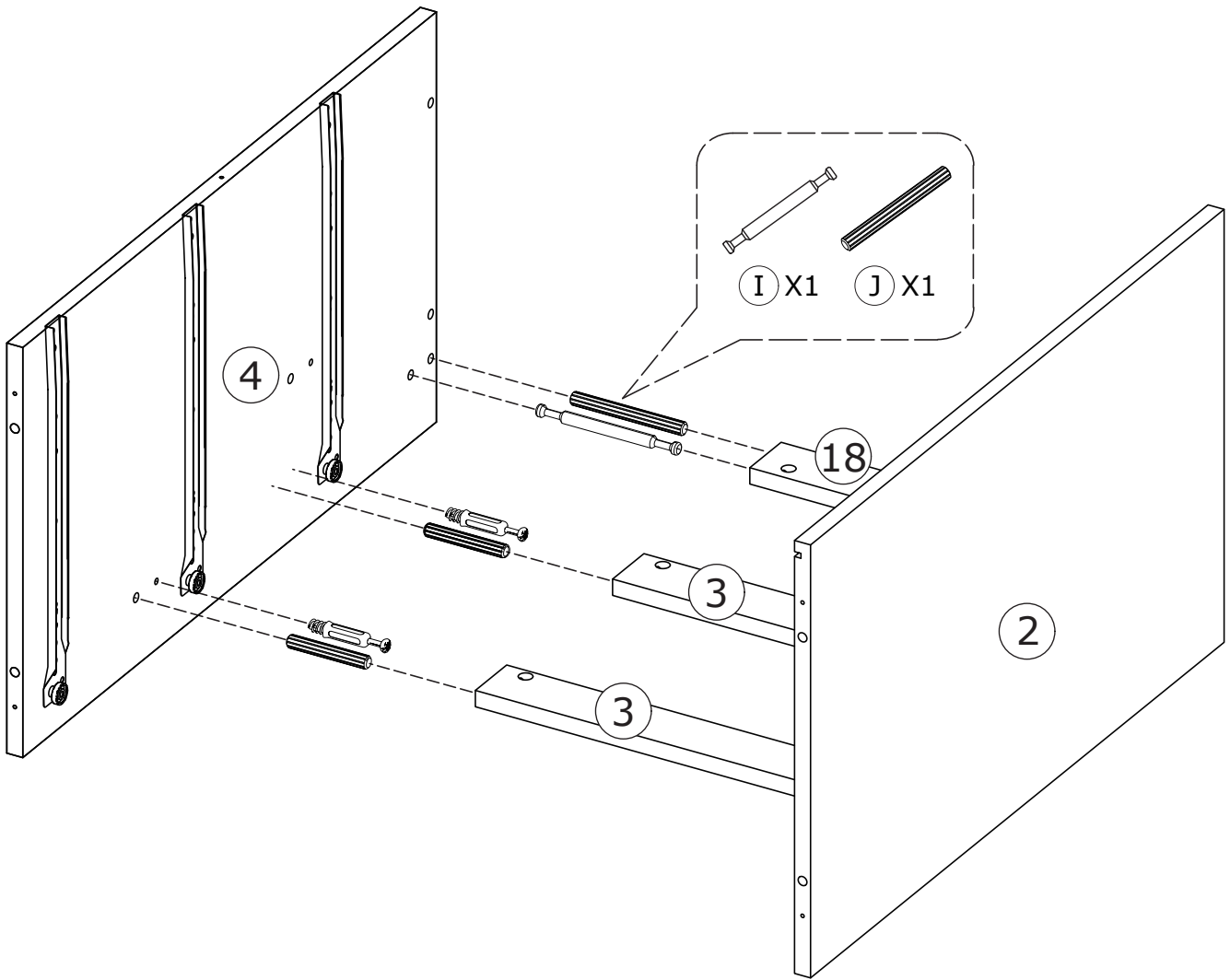


4



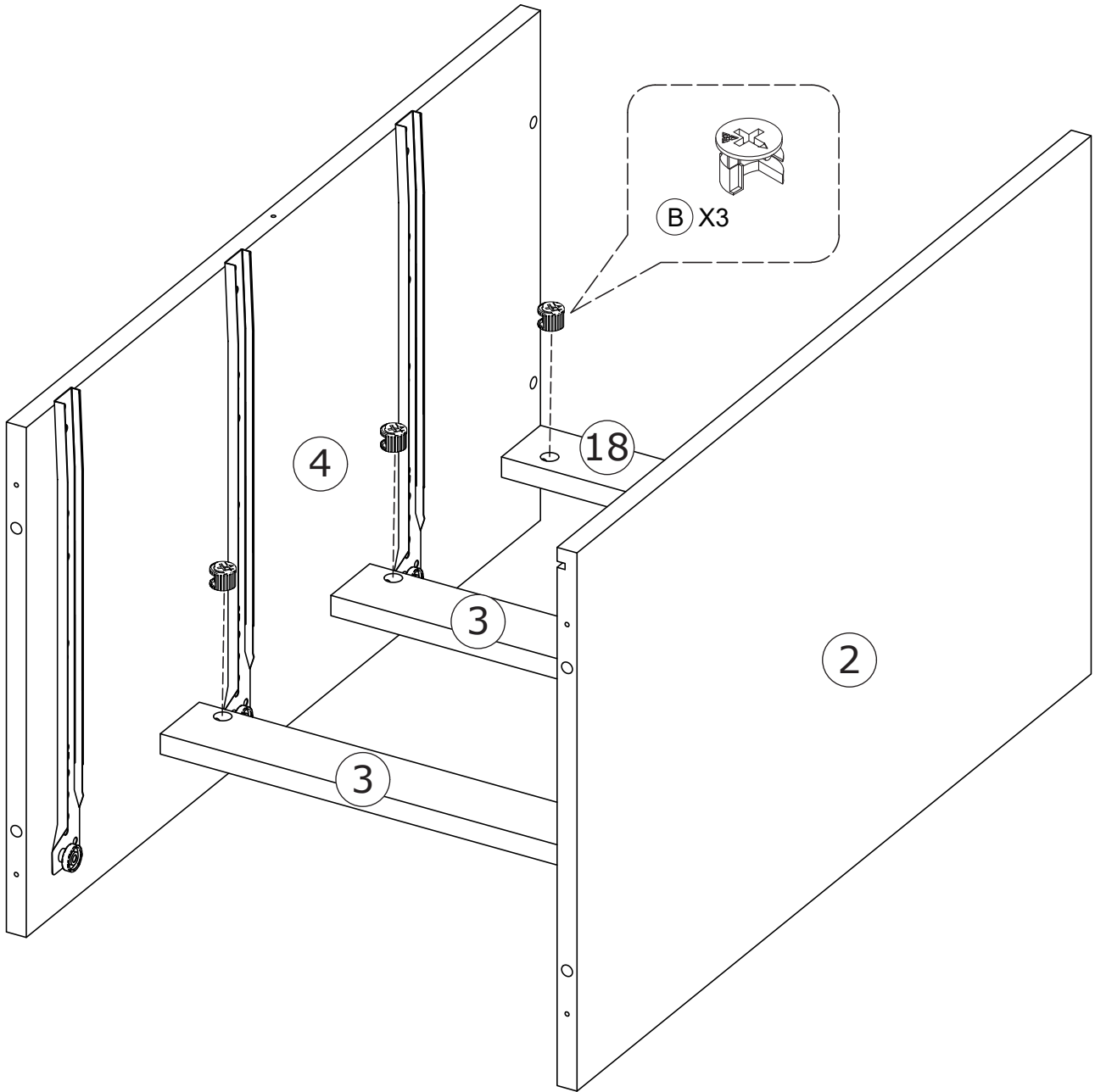
5

<p>A x 2</p>  <p>Ø8 x 30 mm</p>	<p>C x 2</p>  <p>Ø8 x 30 mm</p>	<p>I x 1</p> 	<p>J x 1</p>  <p>Ø8 x 60 mm</p>	 
--	--	--	--	---



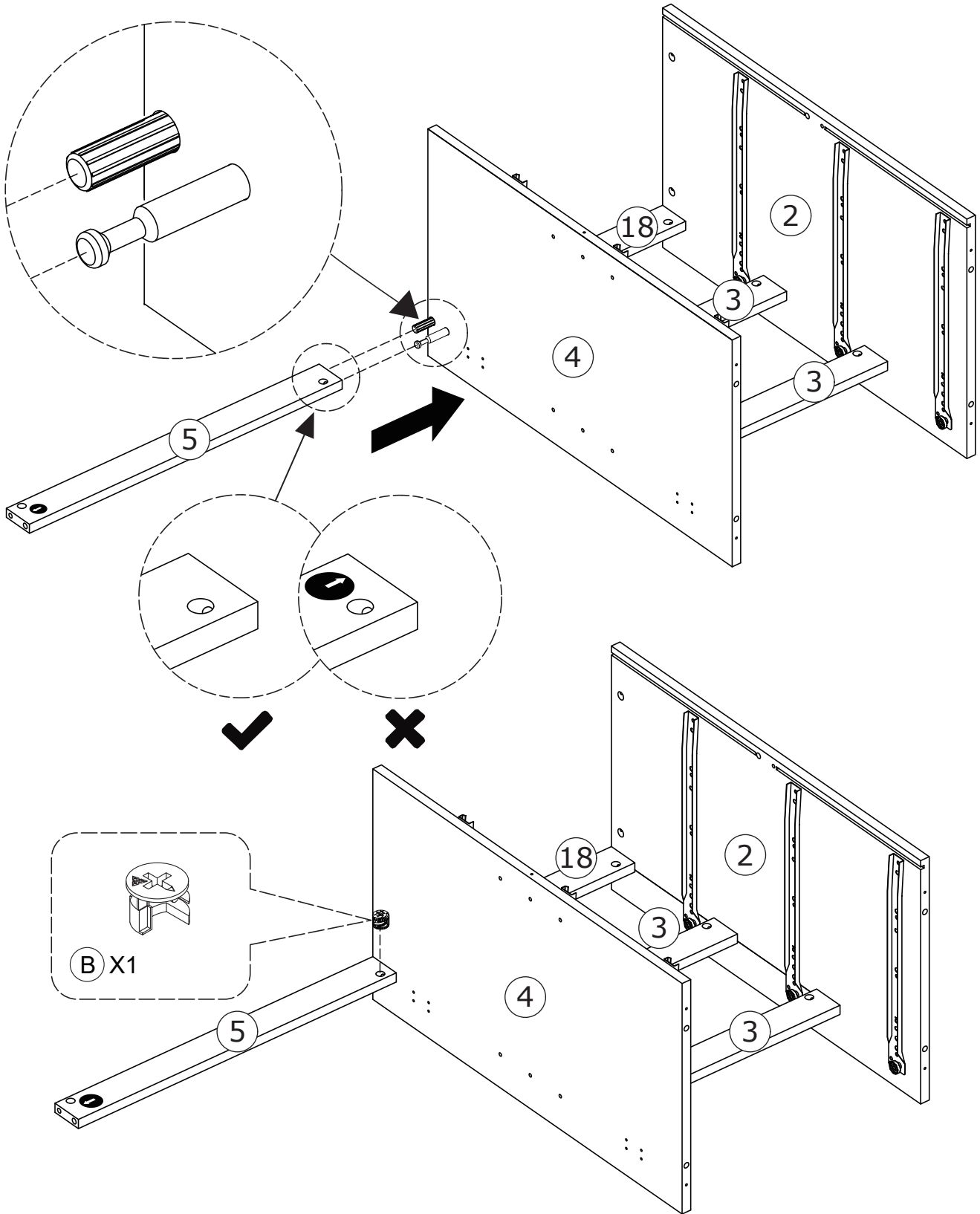
6

<p>B x 3</p>  <p>Ø12 x 9.5 mm</p>	
--	---


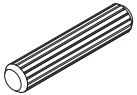

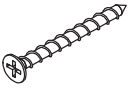
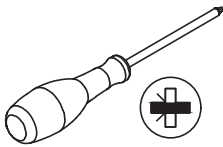


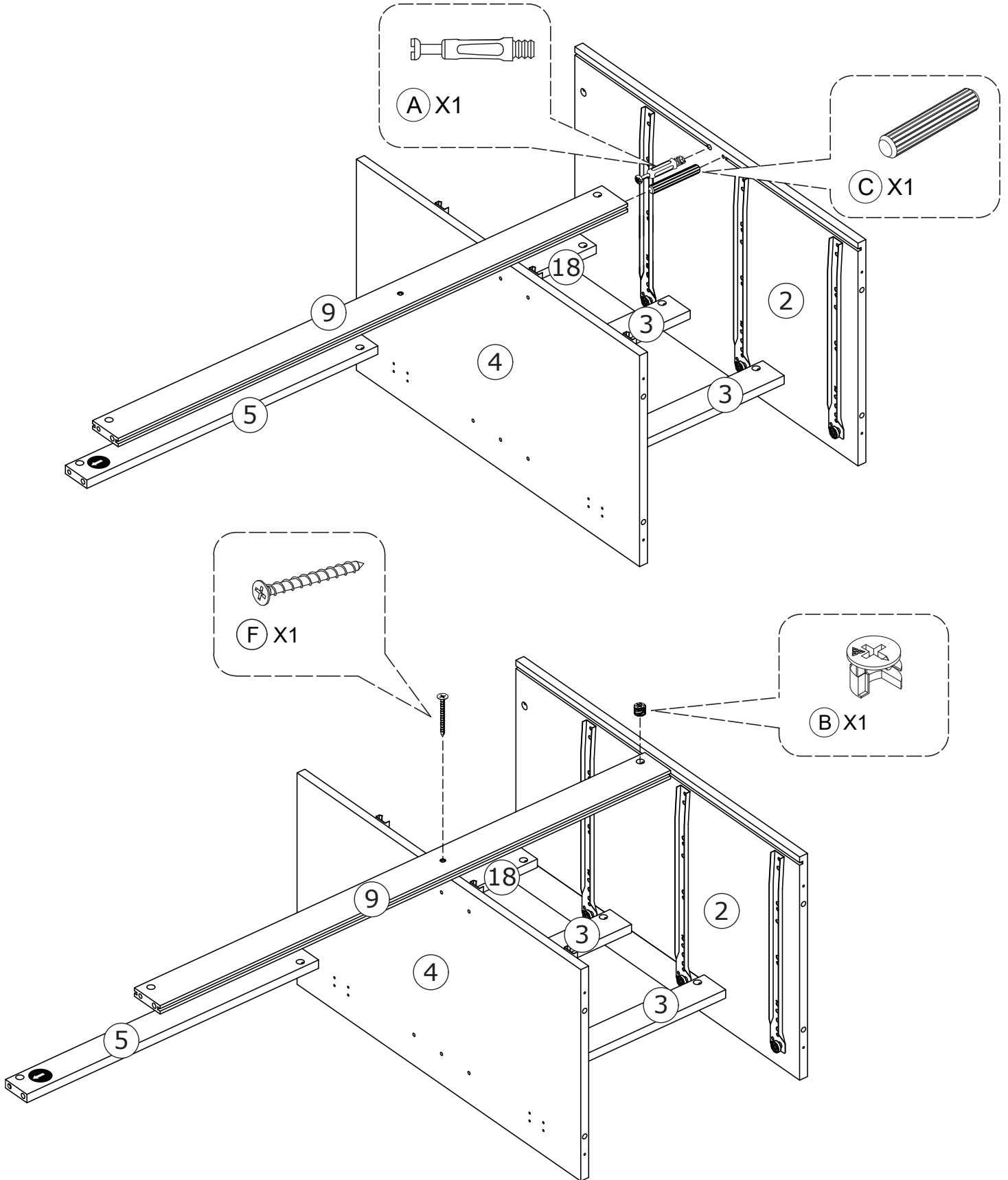
7

<p>B x 1</p>  <p>Ø12 x 9.5 mm</p>	
--	---

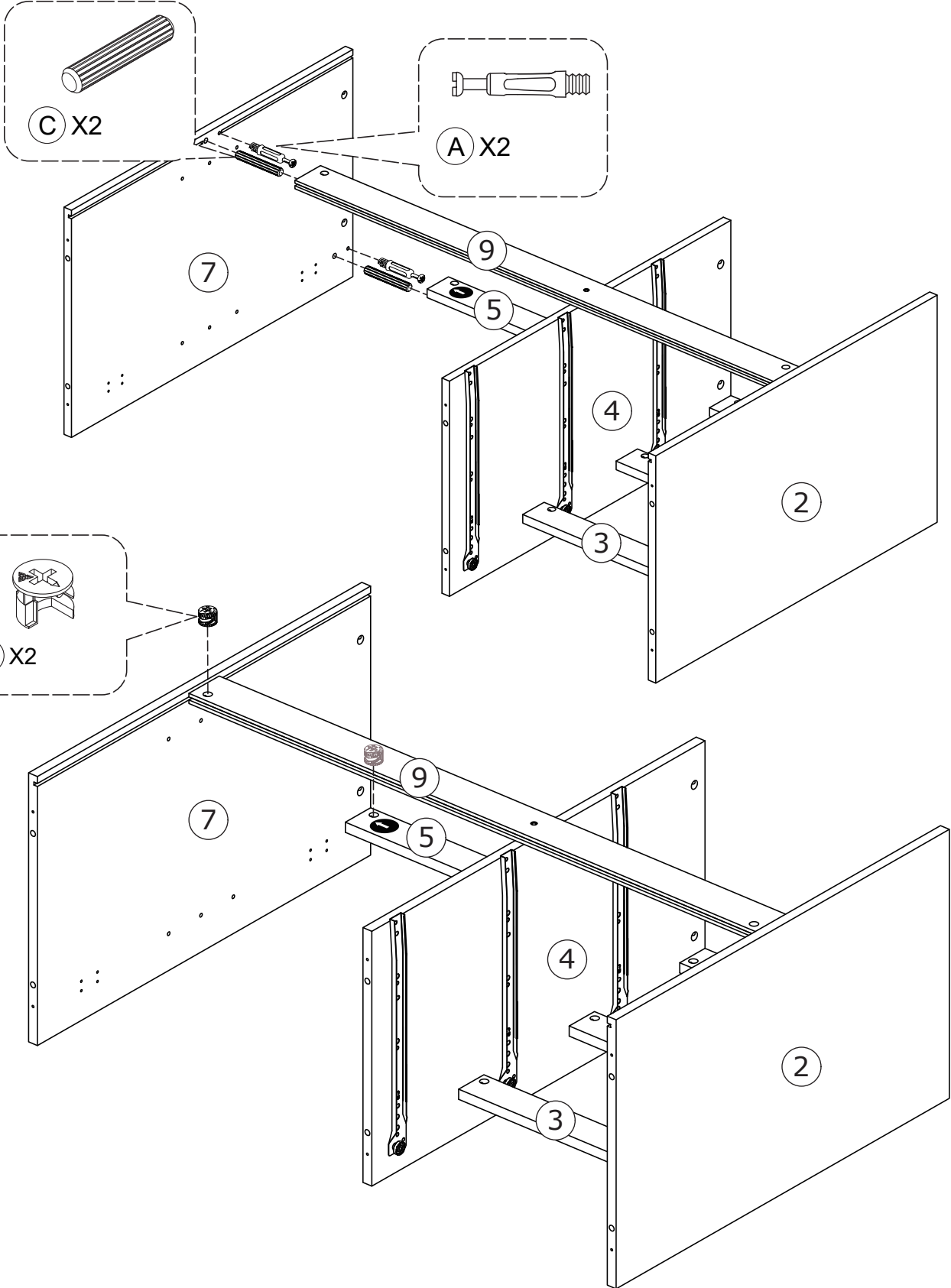
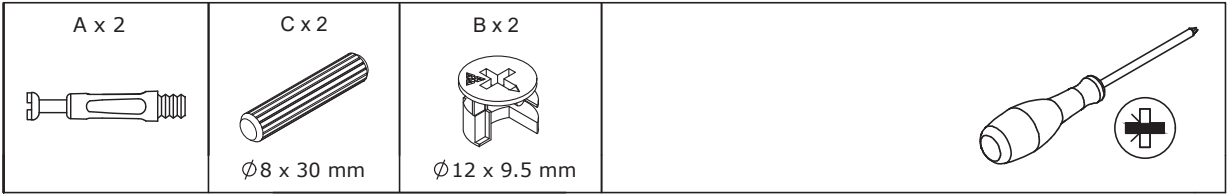


8

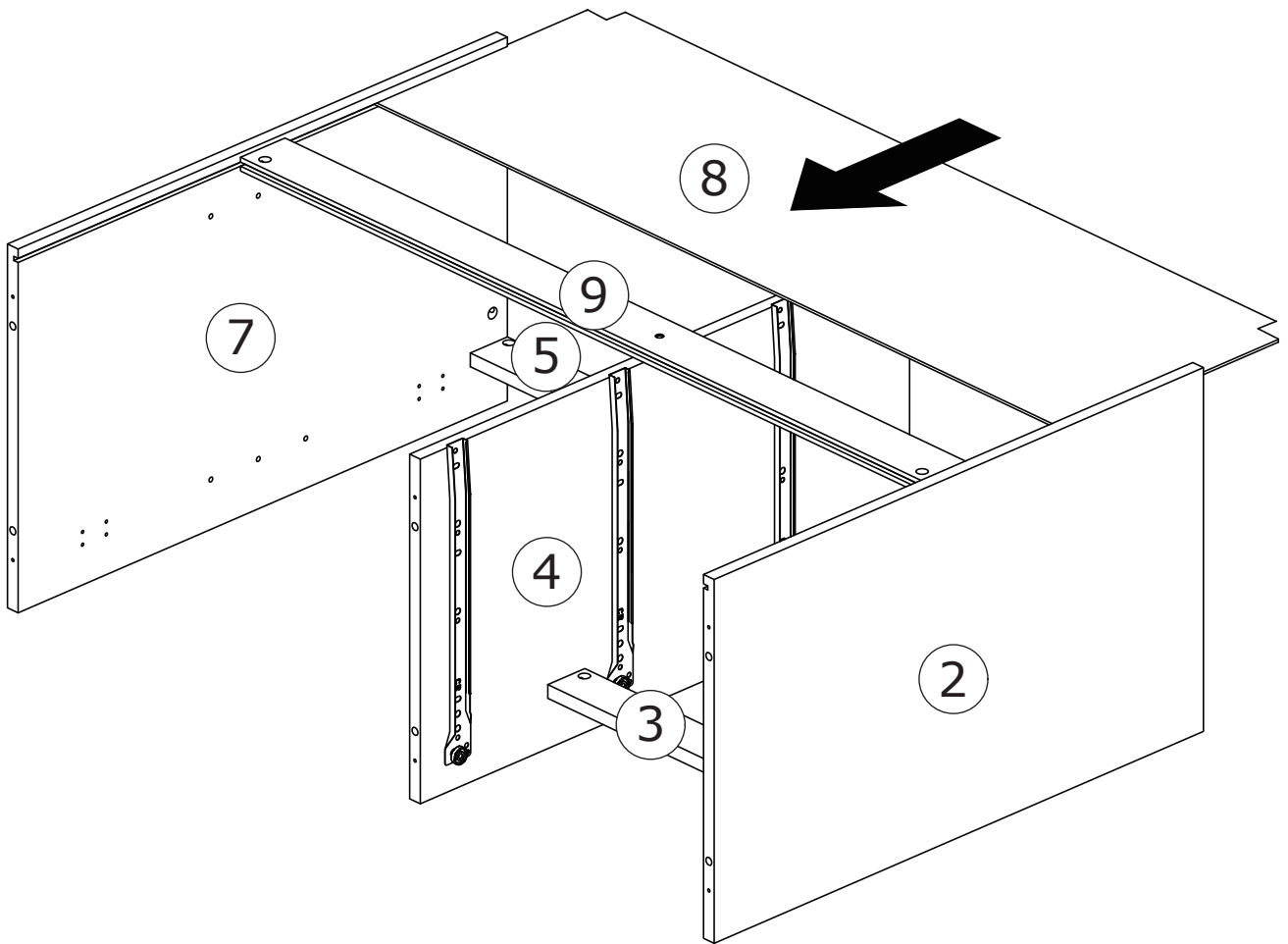
A x 1  Ø8 x 30 mm	C x 1  Ø8 x 30 mm	B x 1  Ø12 x 9.5 mm	F x 1  Ø3.9 x 35 mm	
--	--	--	---	---




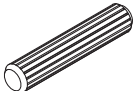
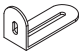

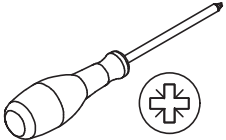

9

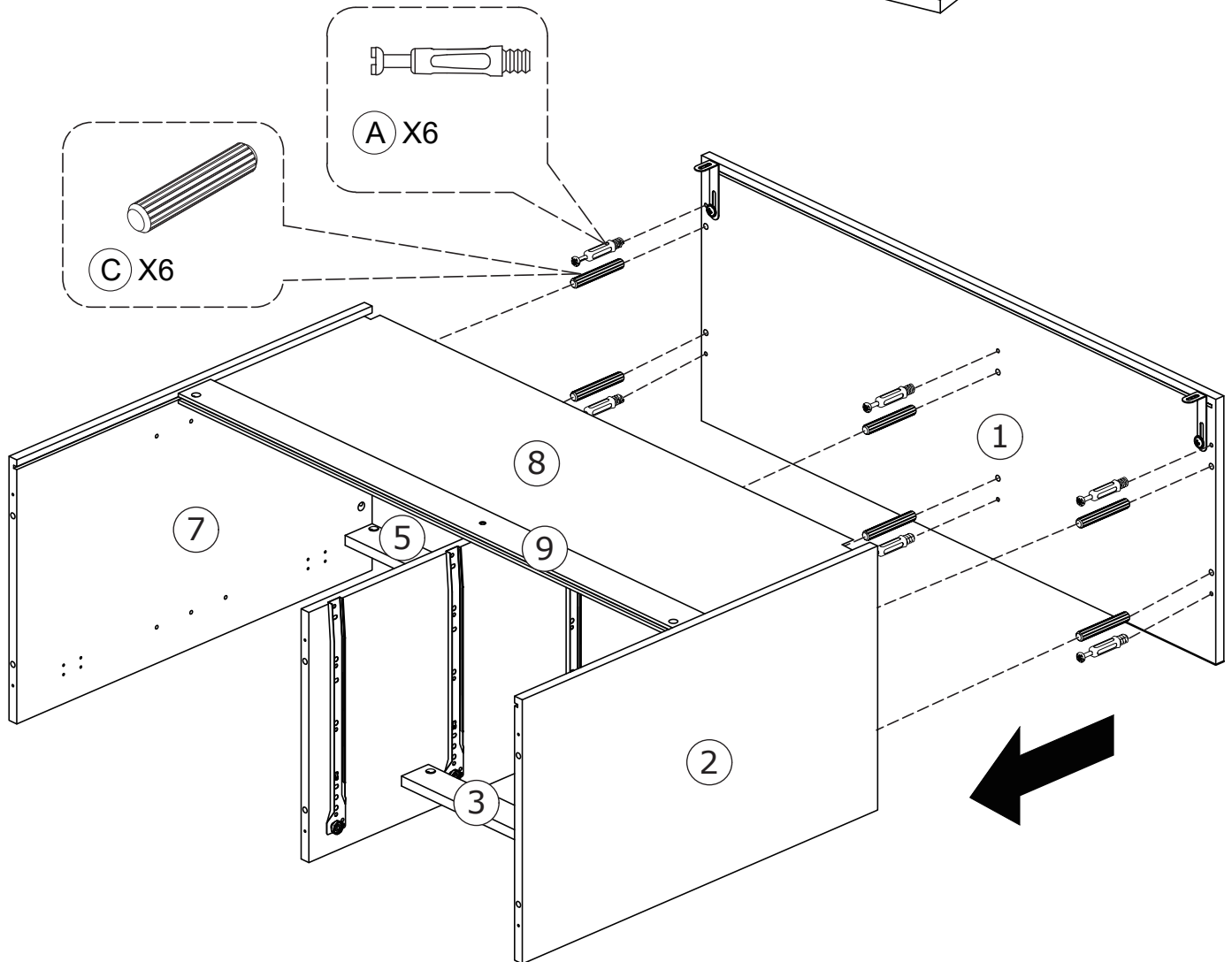
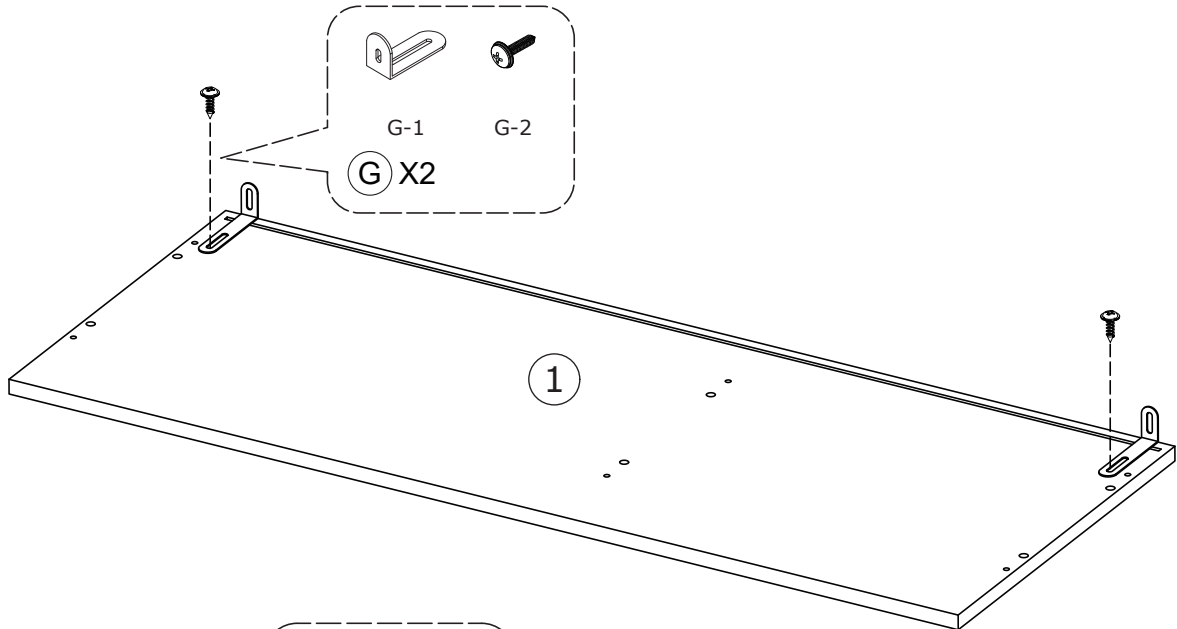


10

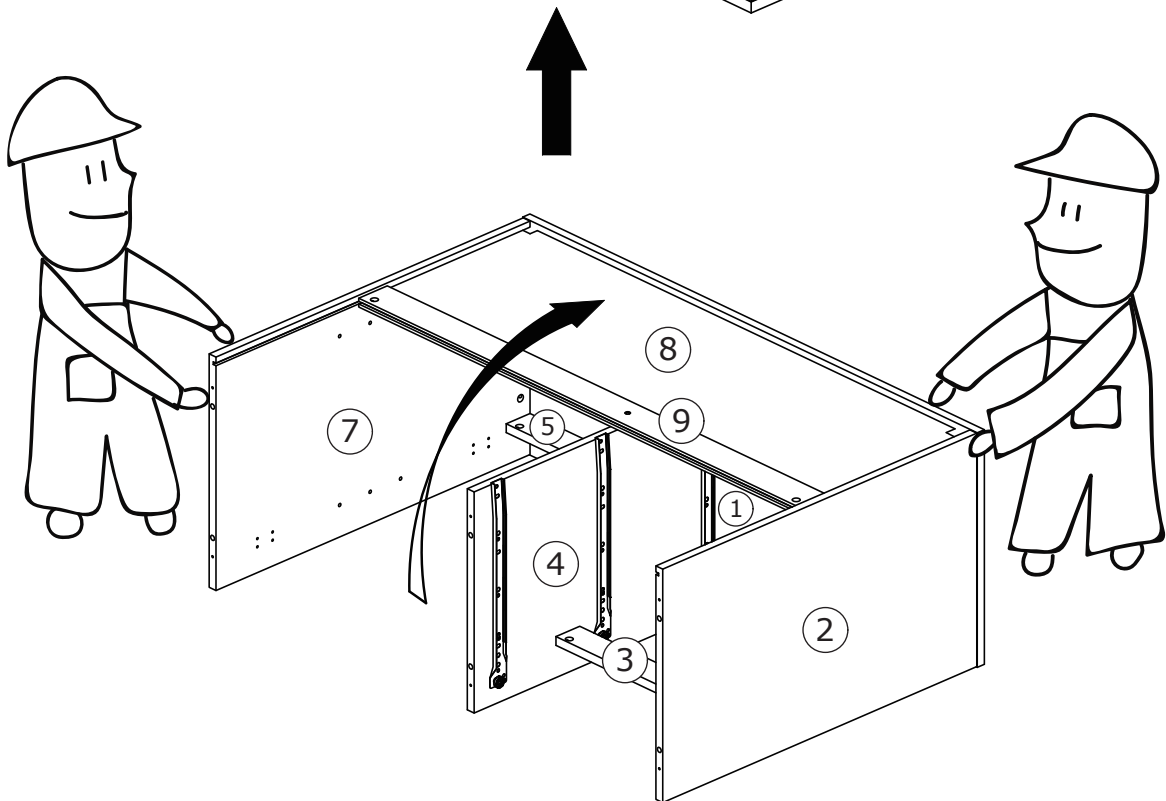
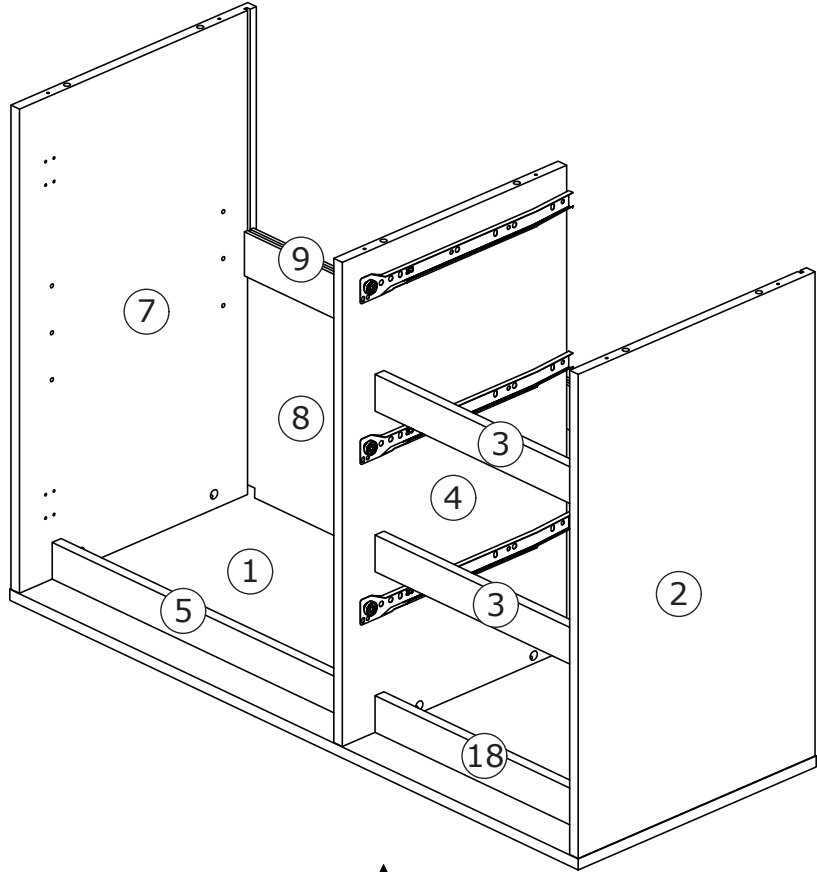


11

A x 6 	C x 6  Ø8 x 30 mm	G x 2   G-1 G-2	 
--	--	---	---



12

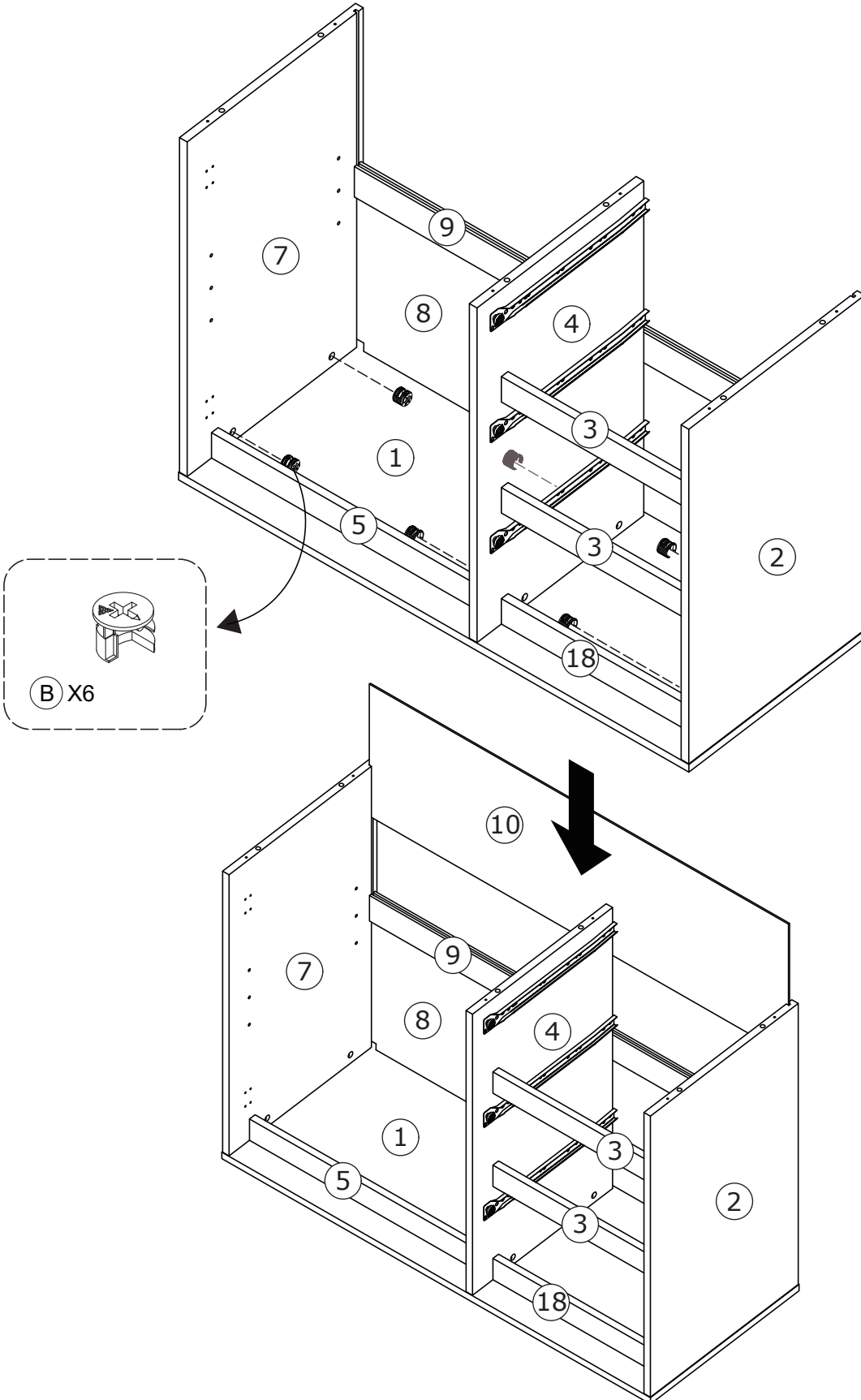


13

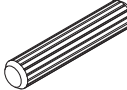
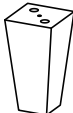


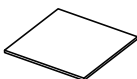
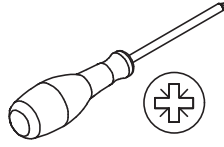
B x 6

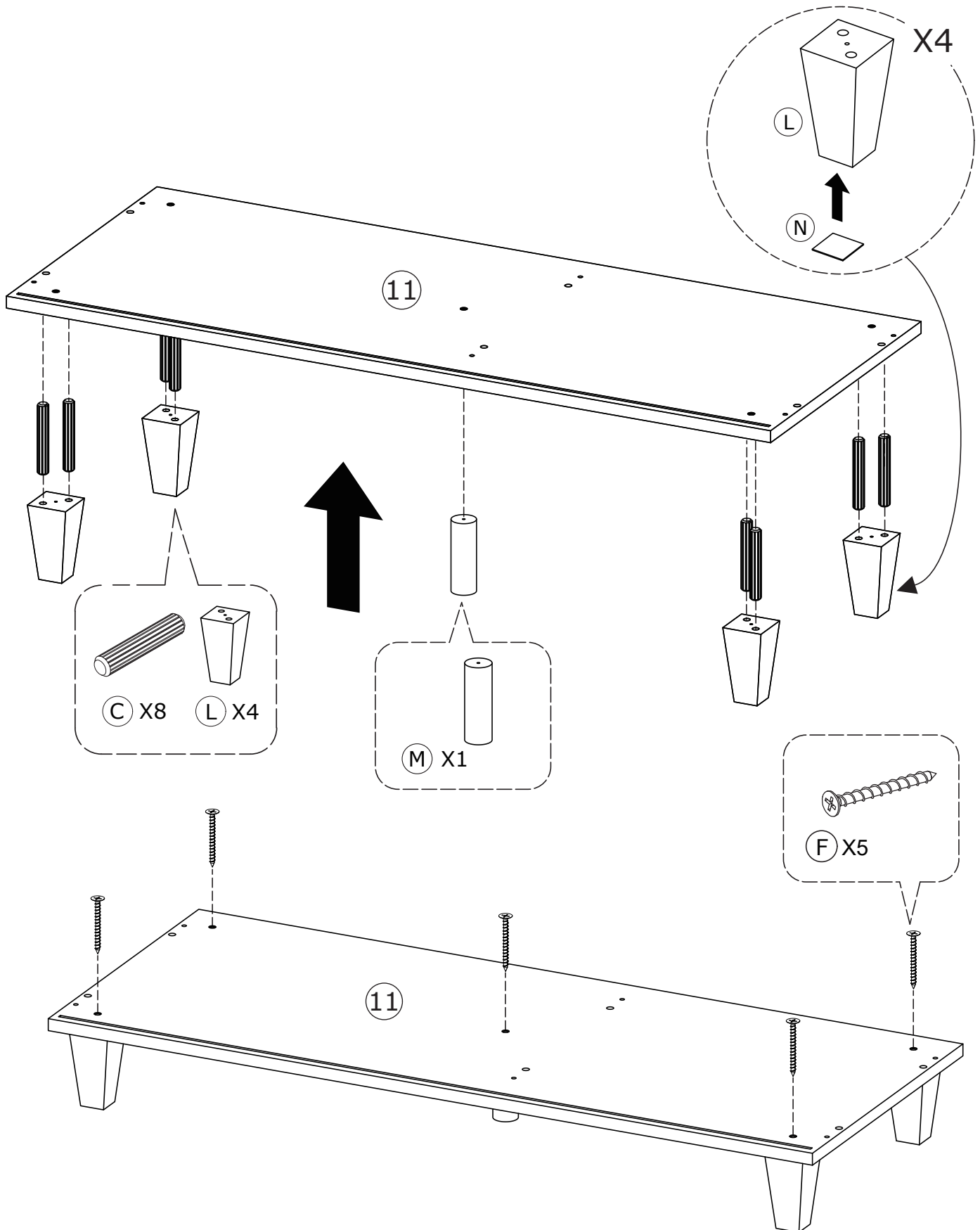


Ø 12 x 9.5 mm



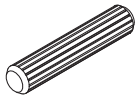
14

<p>C x 8</p>  <p>∅8 x 30 mm</p>	<p>L x 4</p> 	<p>M x 1</p> 	<p>F x 5</p>  <p>∅3.9 x 35 mm</p>	<p>N x 4</p> 	
--	--	--	--	--	---

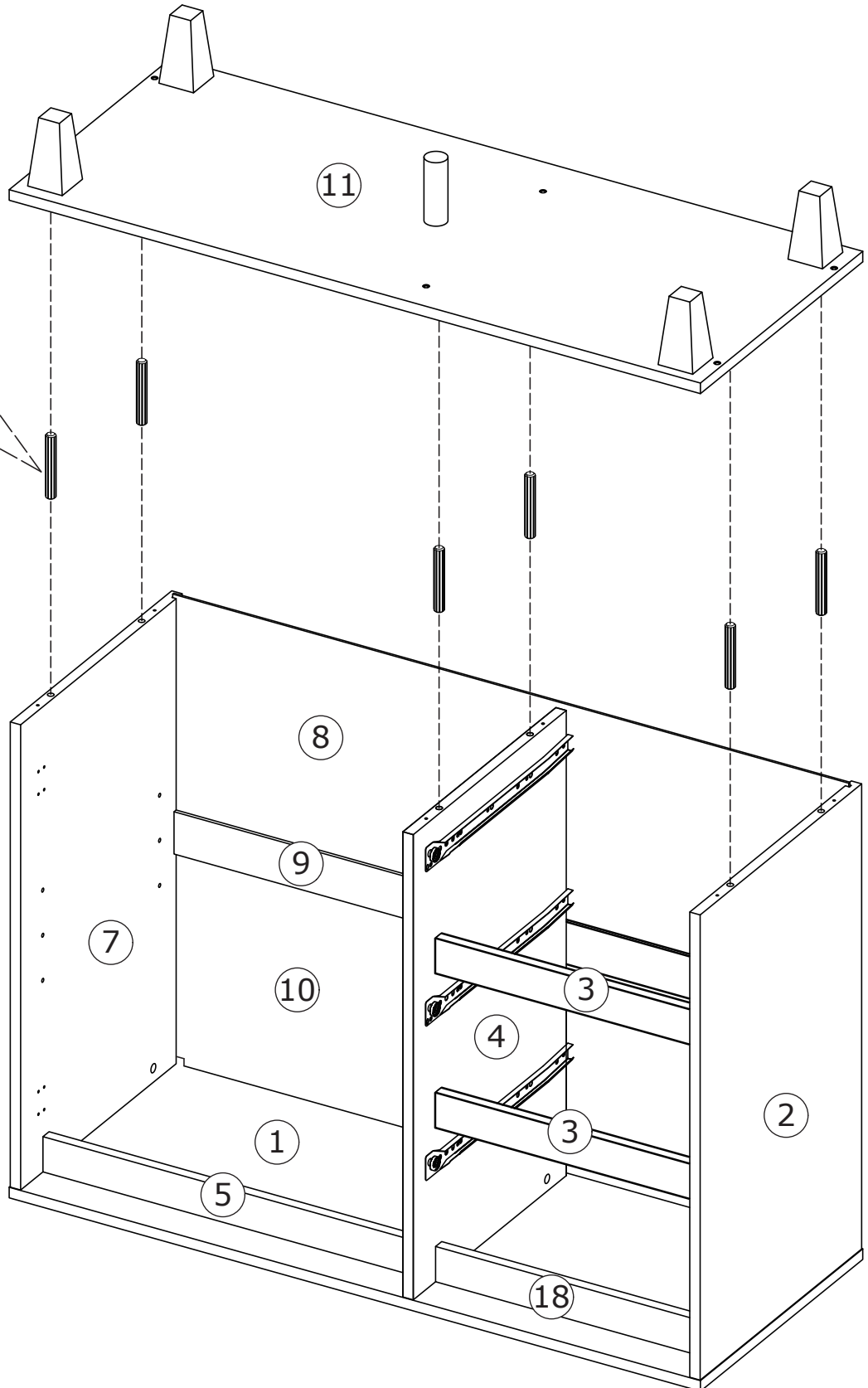
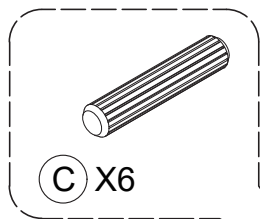


15

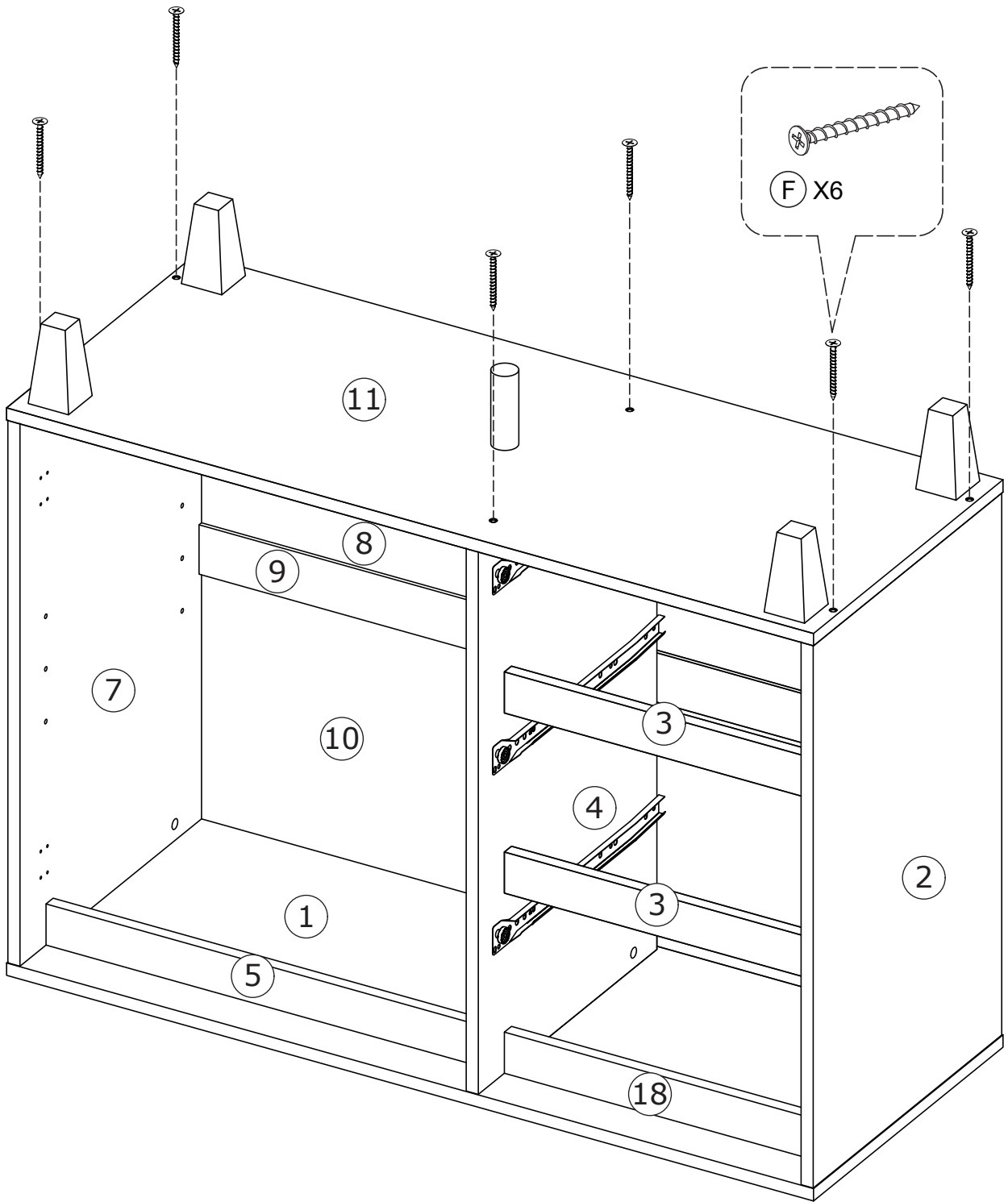
C x 6



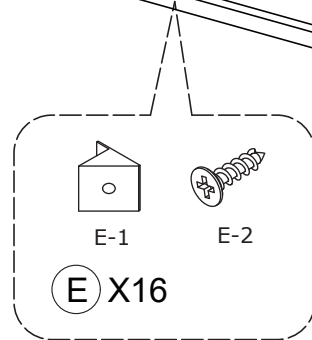
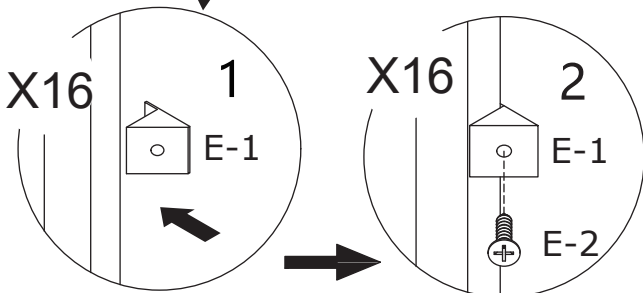
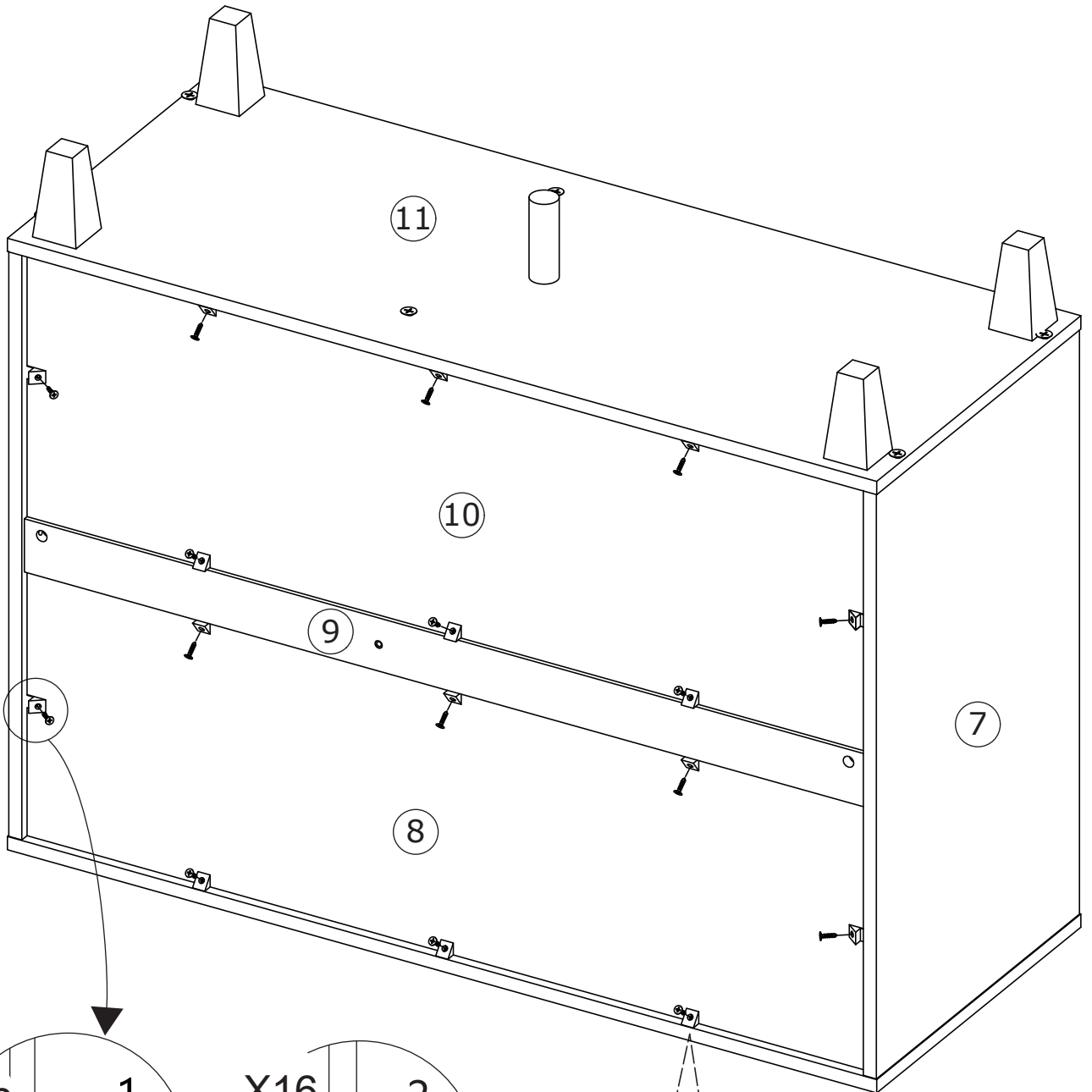
∅8 x 30 mm



16




17

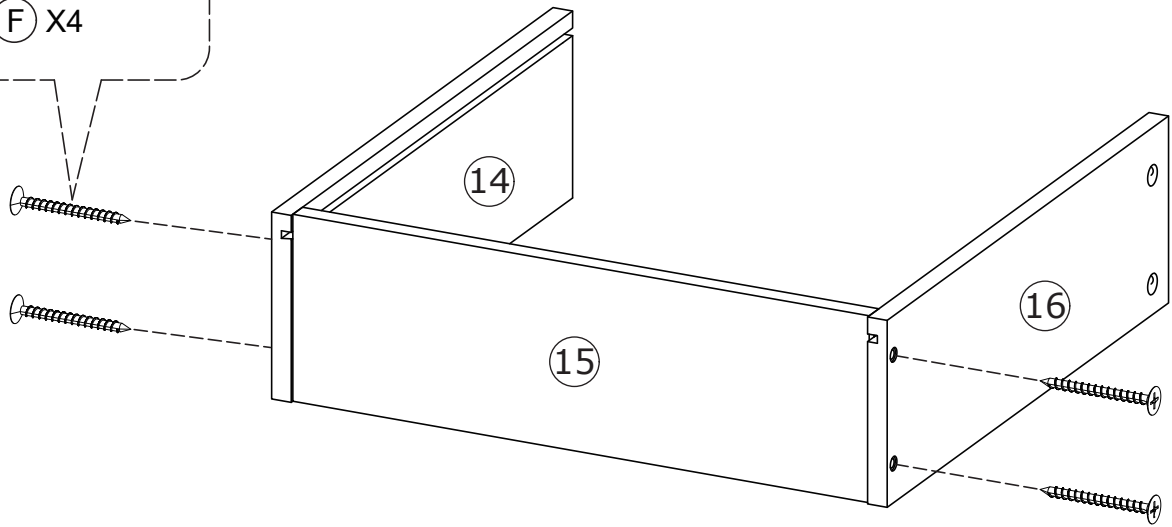


18

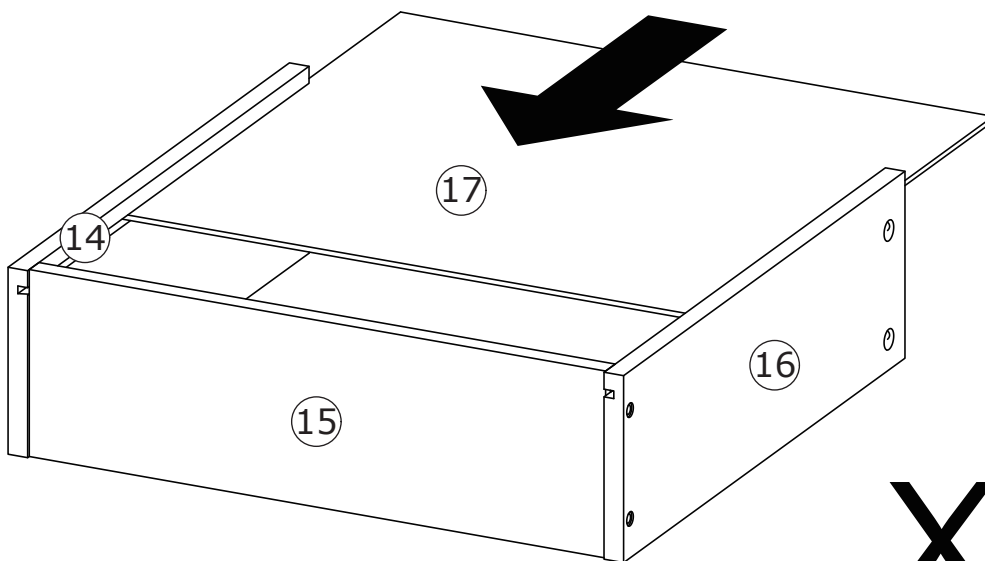
<p>F x 12</p>  <p>Ø 3.9 x 35 mm</p>	 
--	---



(F) X4

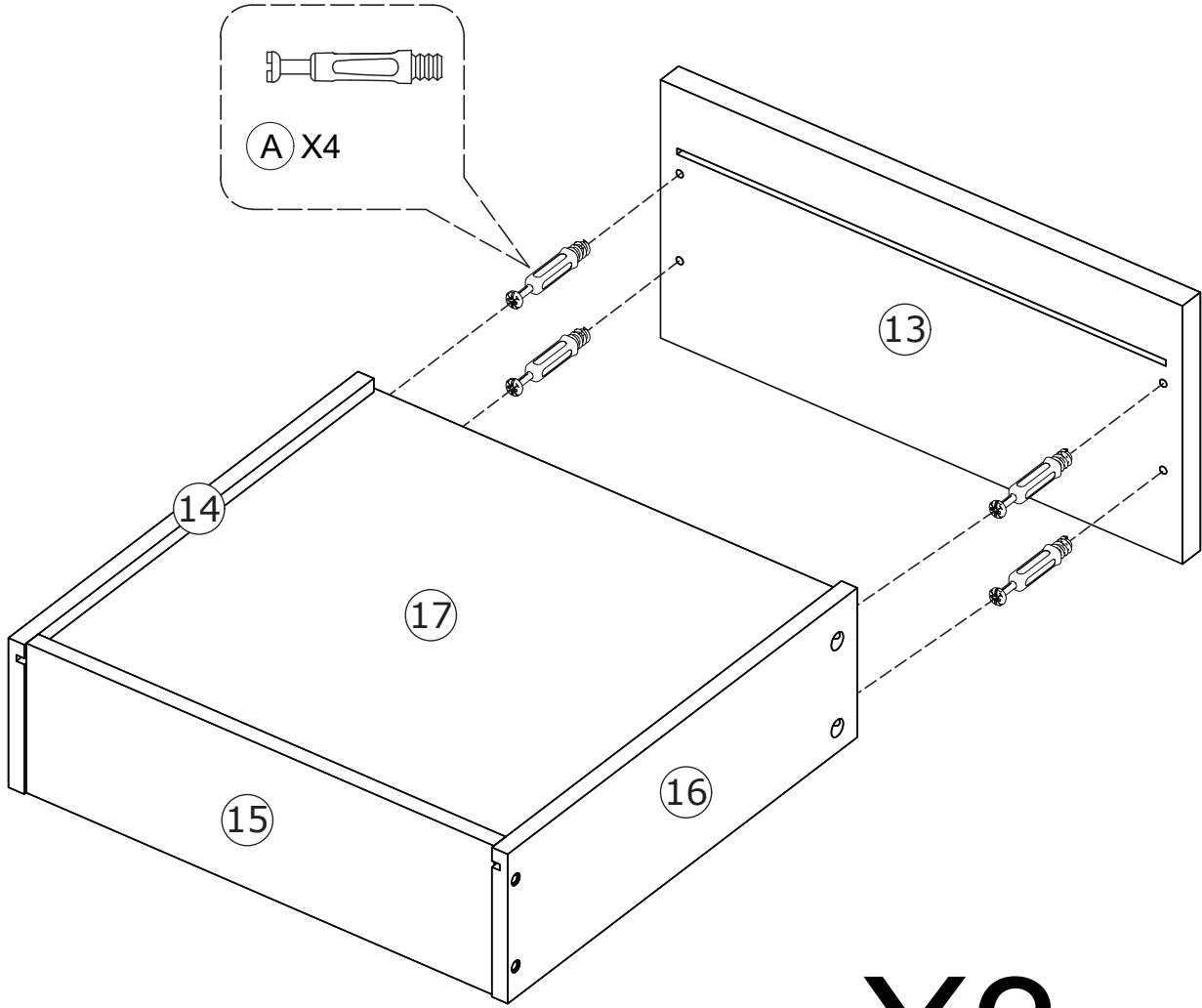


X3



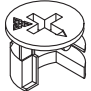
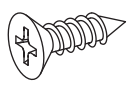
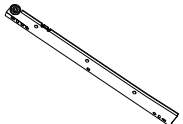
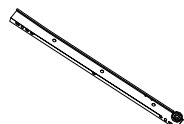
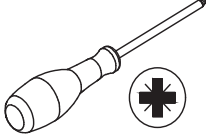

X3

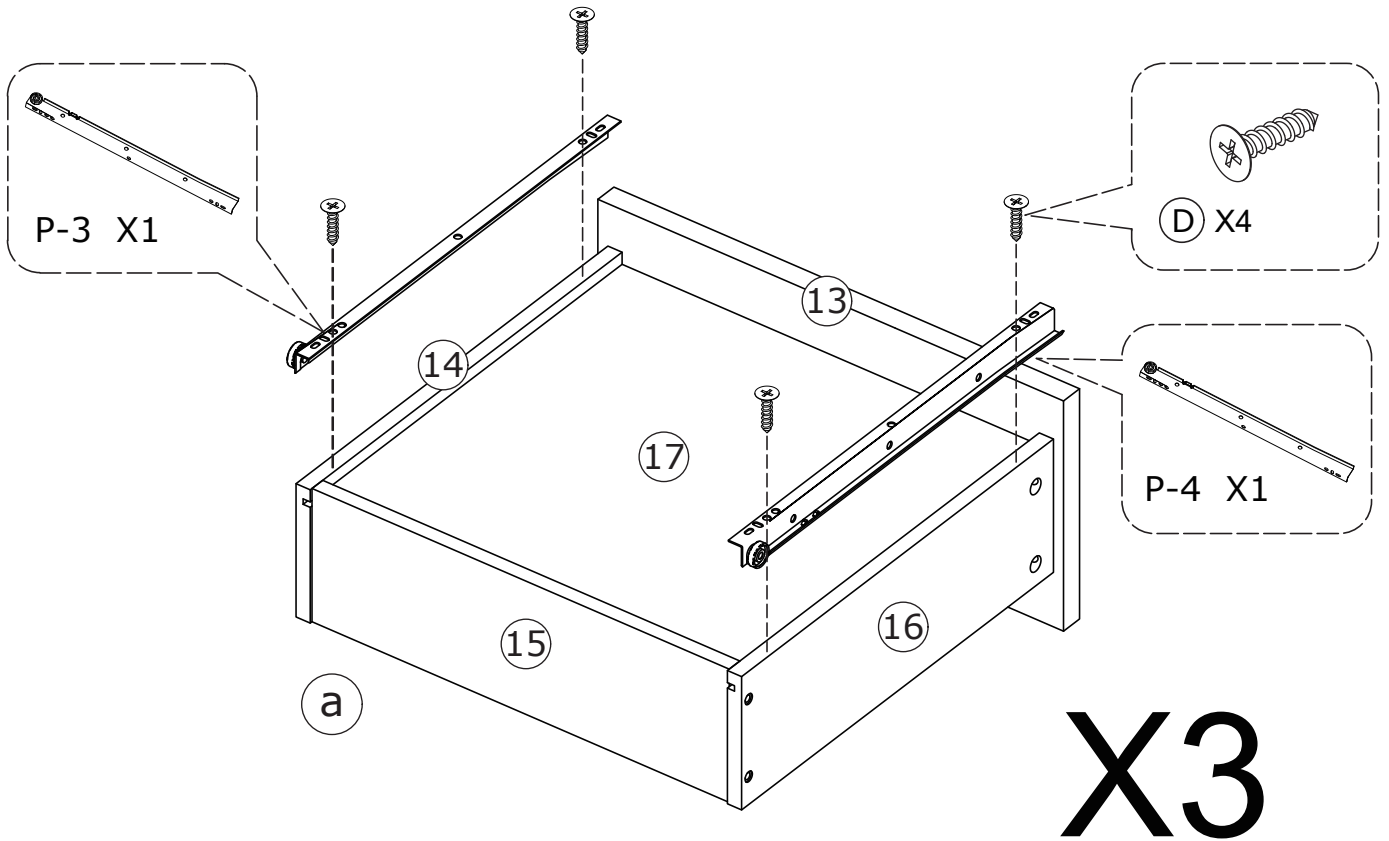
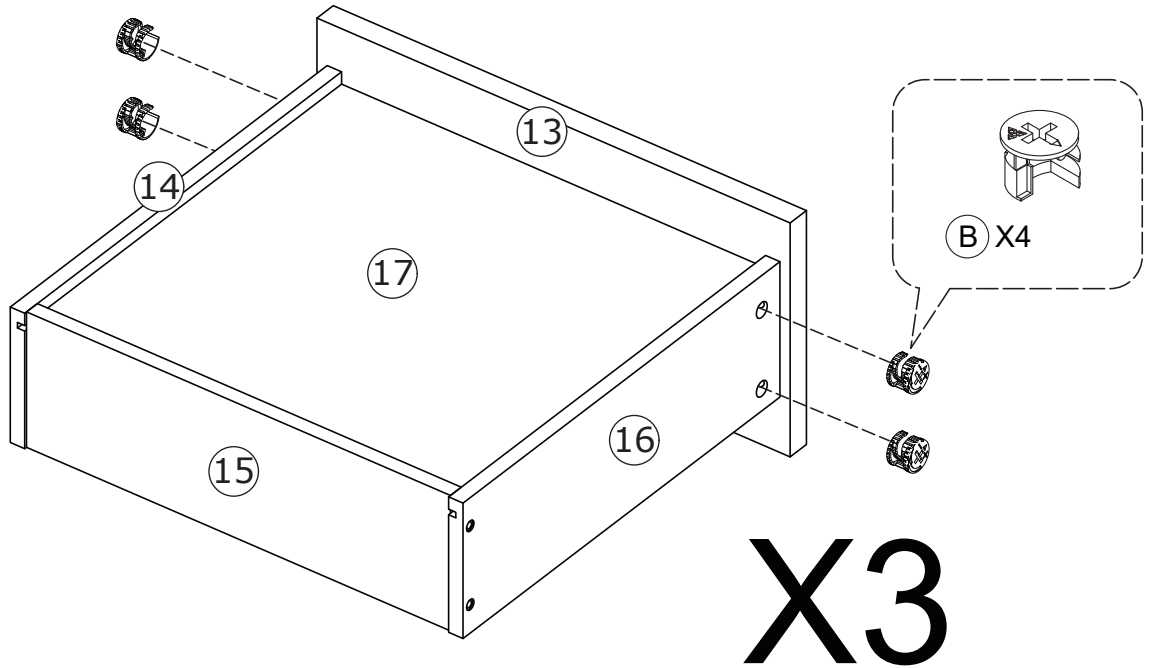
19



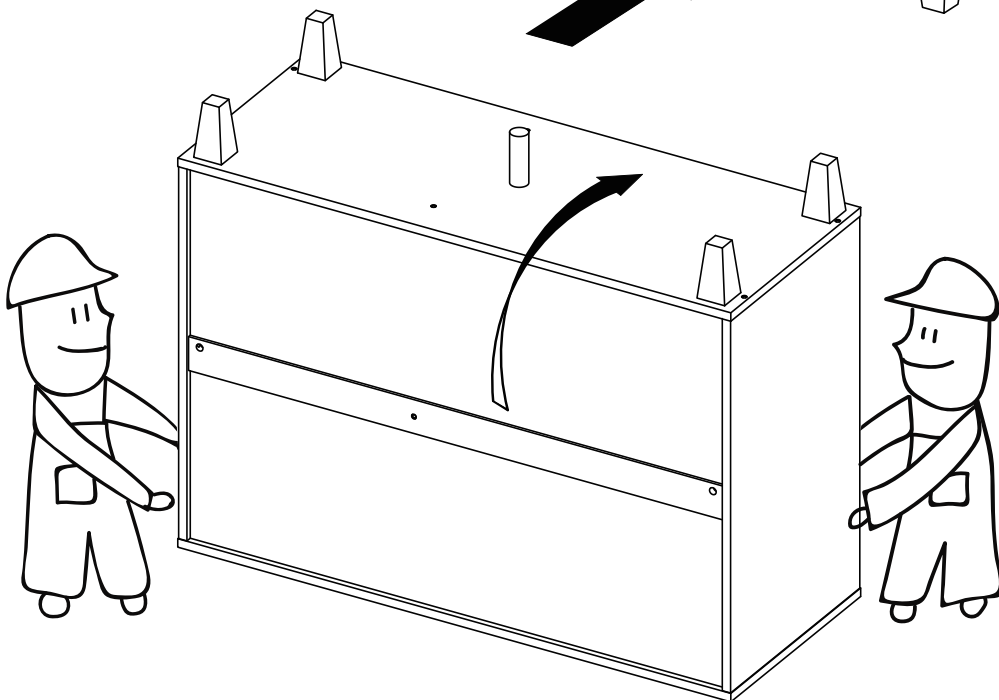
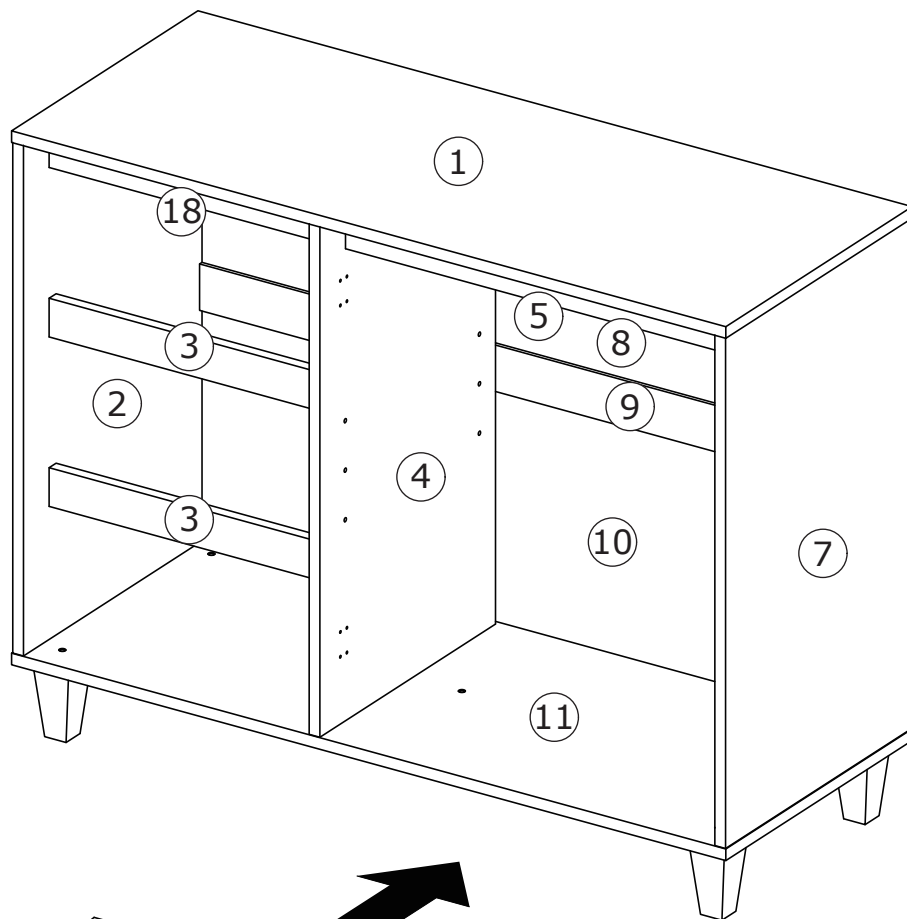
X3

20

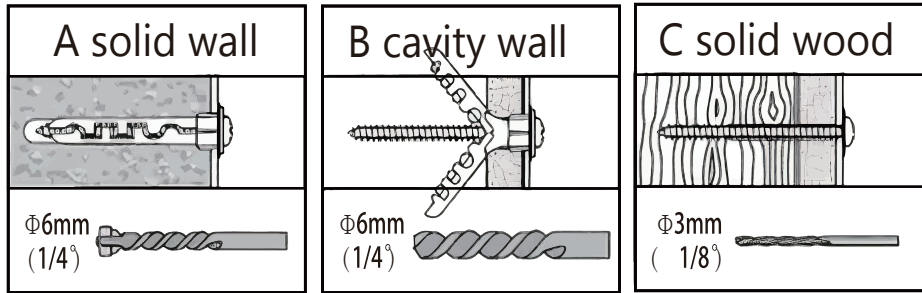
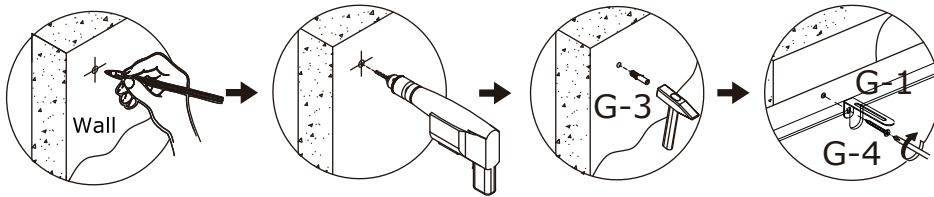
<p>B x 12</p>  <p>Ø 12 x 9.5 mm</p>	<p>D x 12</p>  <p>Ø 3.5 x 12 mm</p>	<p>P-3 x 3</p> 	<p>P-4 x 3</p> 	 
--	--	--	---	--



21

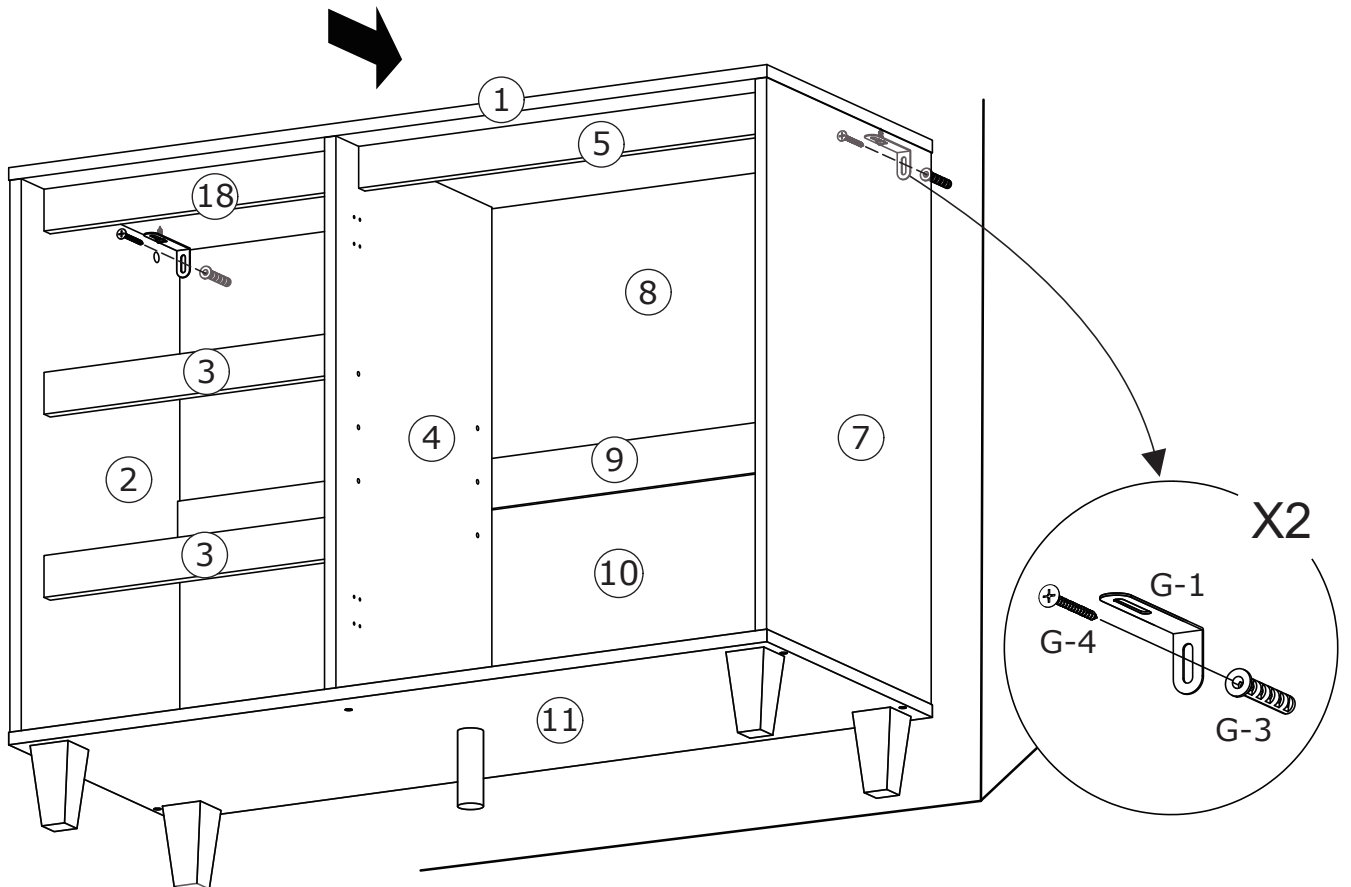


22

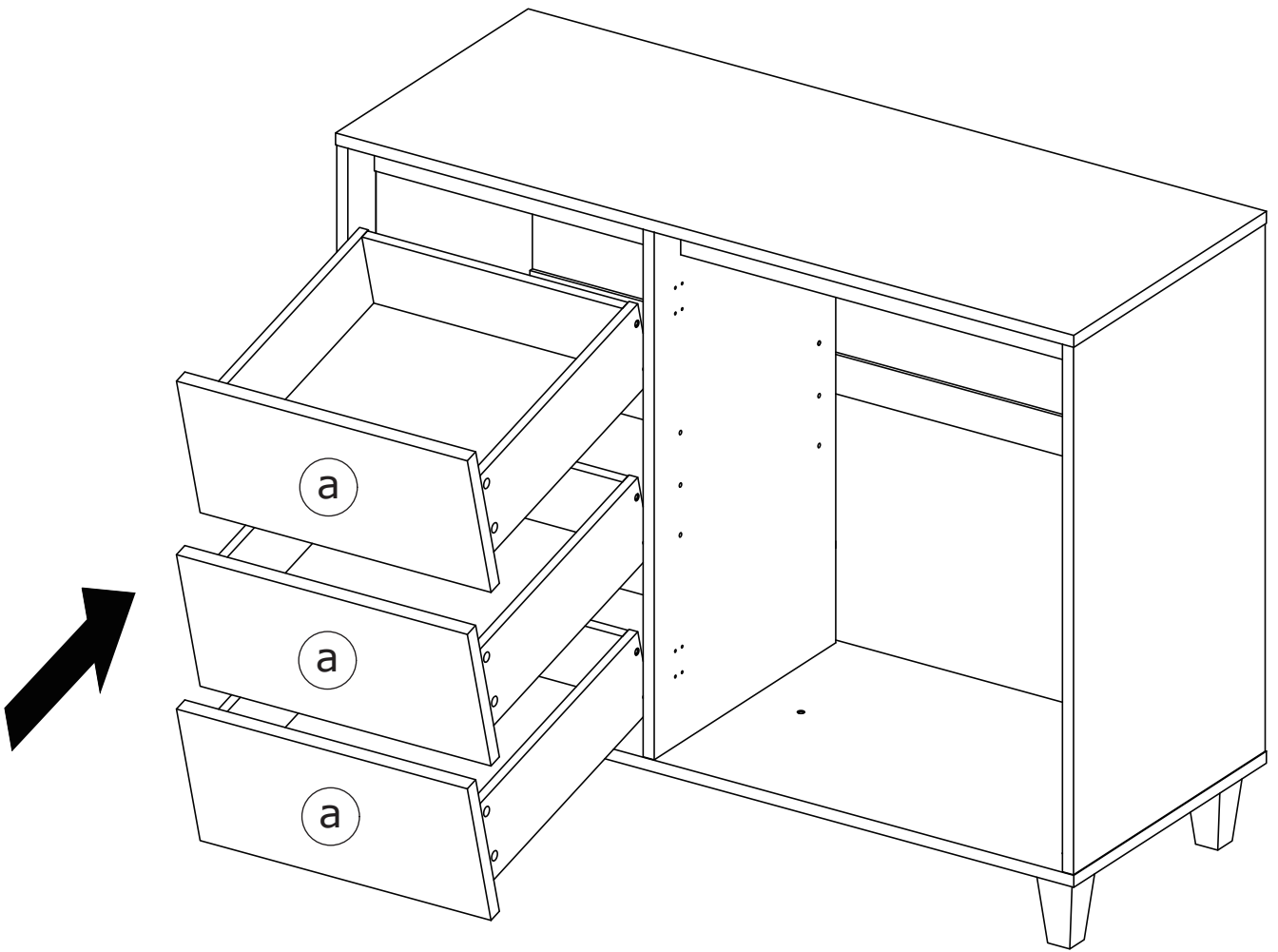


! Warning: If you overturn the furniture, it may cause serious or fatal crushing injuries. We have a wall connection device attached, please use it to hold the furniture following these instructions.

1. Mark the corresponding hole positions where you want to place the furniture;
2. Use a impact drill to drill holes and pay attention to avoid wires and water pipes;
3. Knock the expansion pipes into the wall holes;
4. Place the furniture in the corresponding position and tighten the wall connection device with screws.

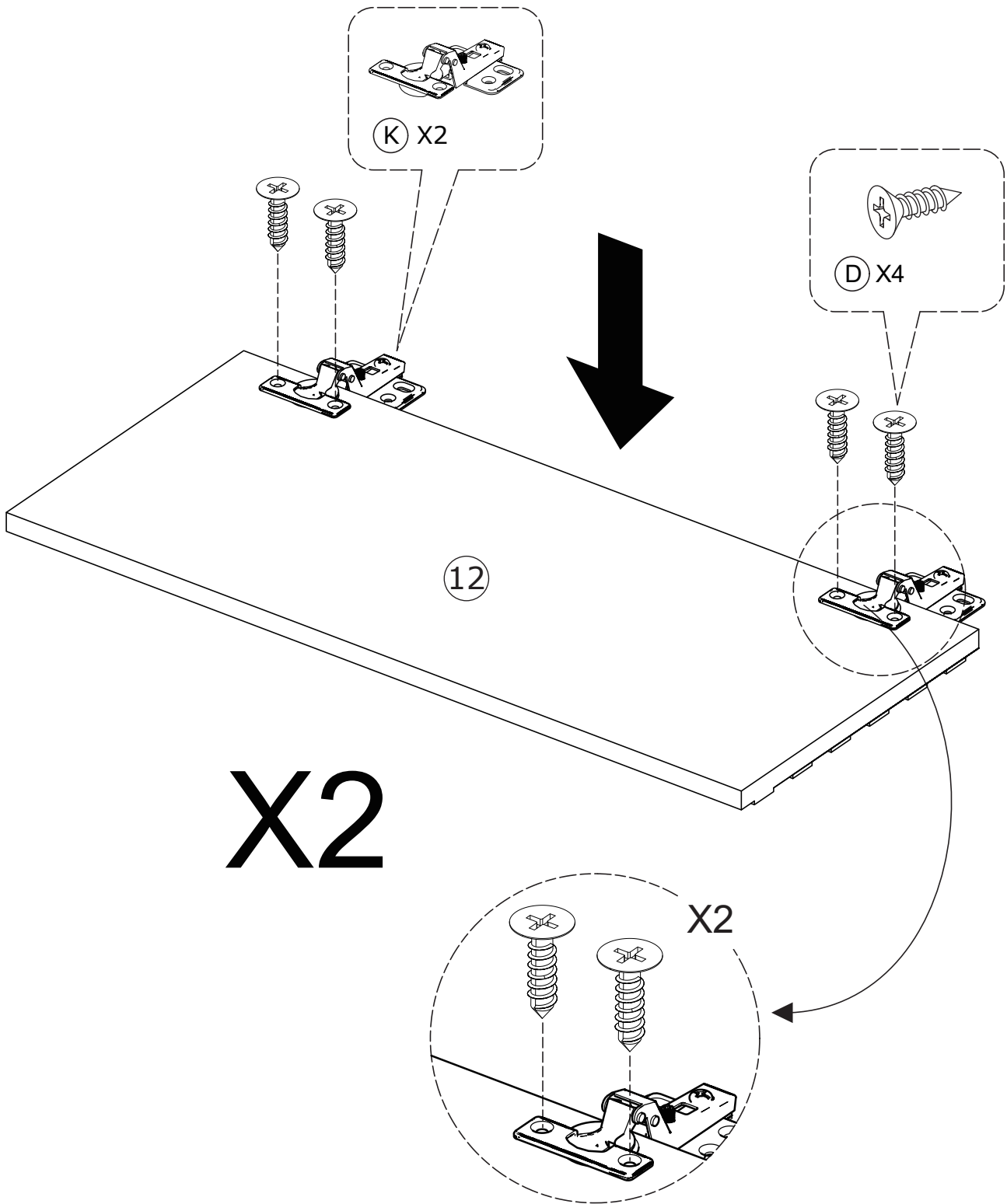


23



24

<p>D x 8</p>  <p>Ø3.5 x 12 mm</p>	<p>K x 4</p> 	 
--	--	---

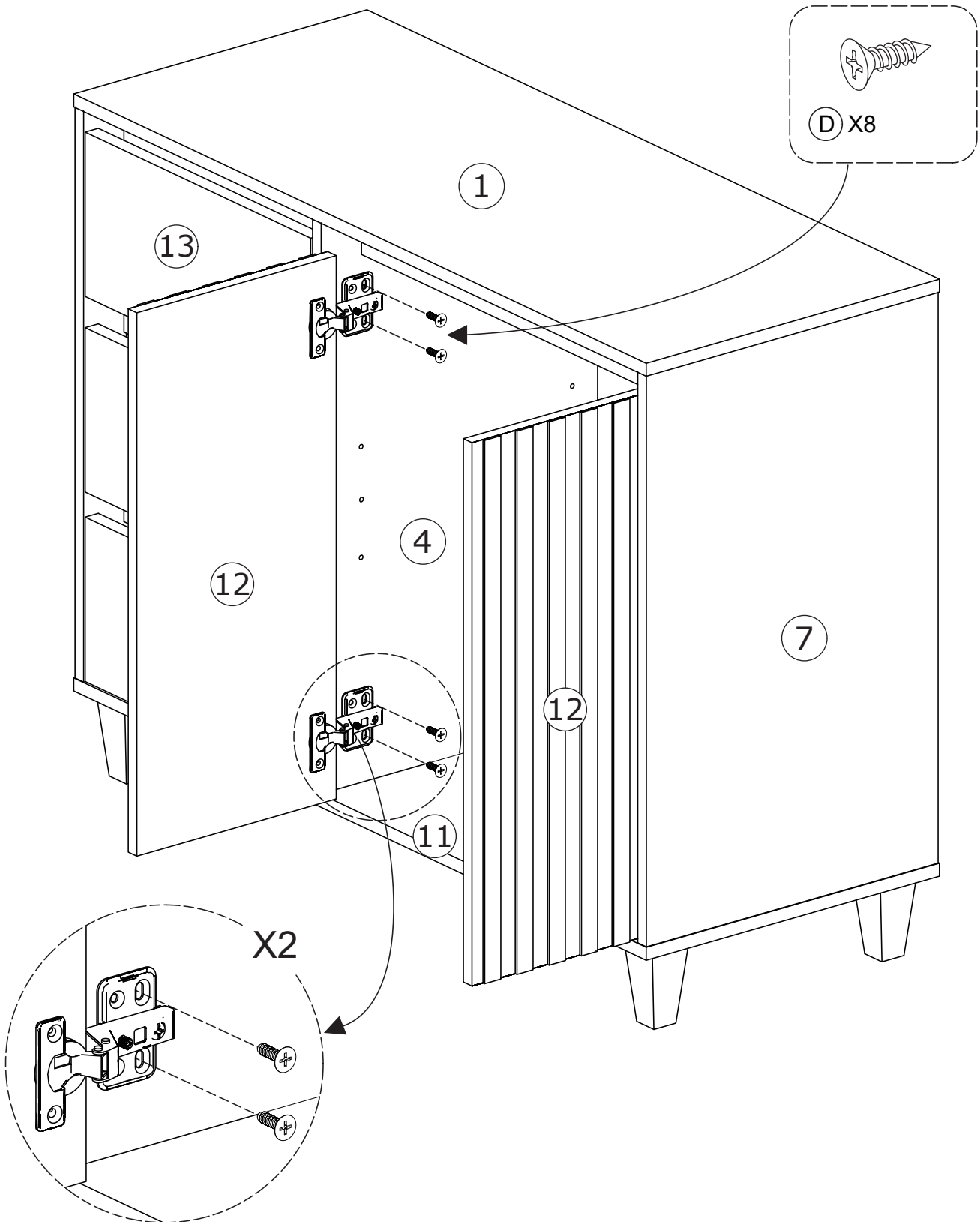


X2

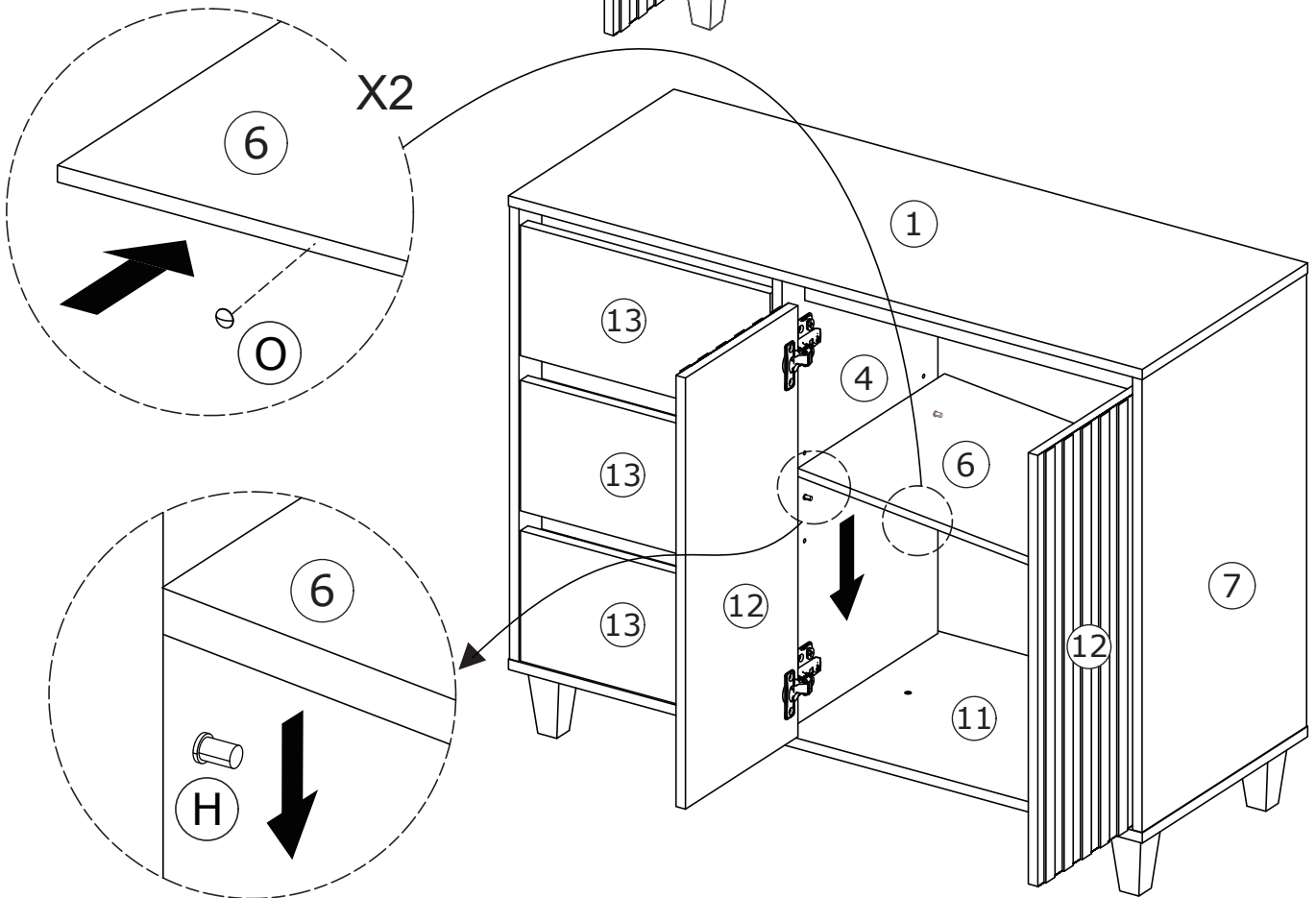
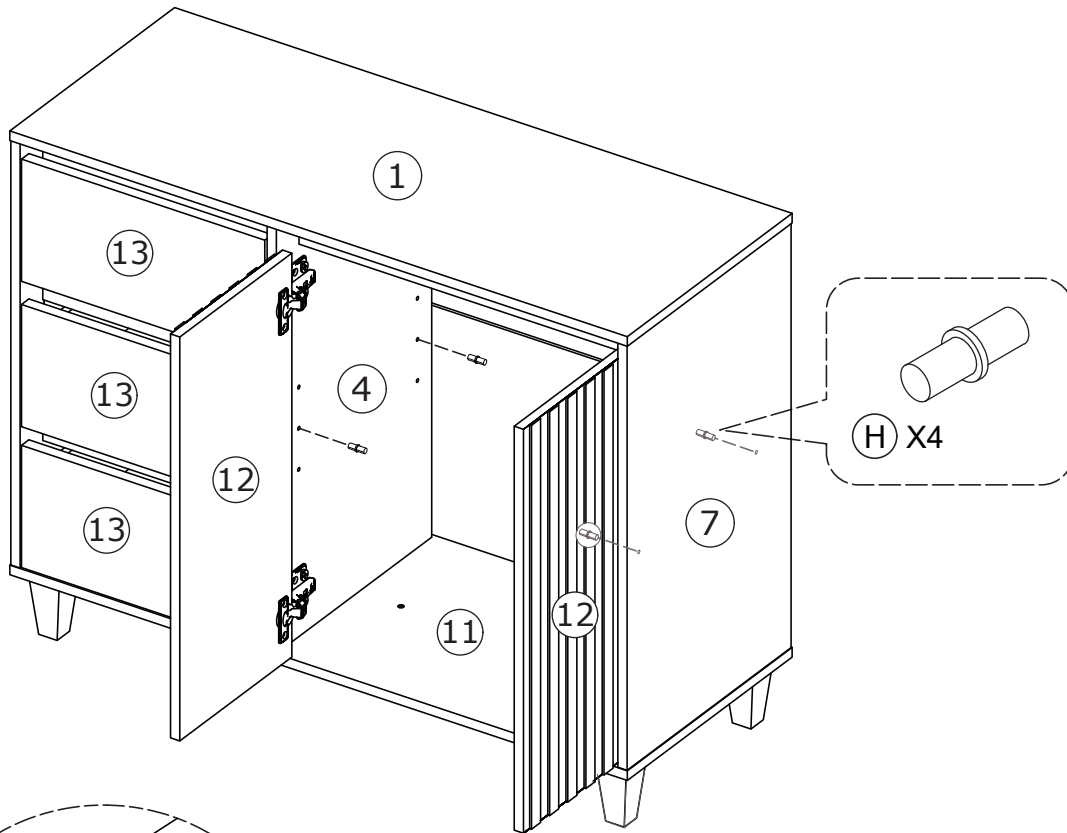
X2

25

<p>D x 8</p>  <p>Ø3.5 x 12 mm</p>	 
--	---



26

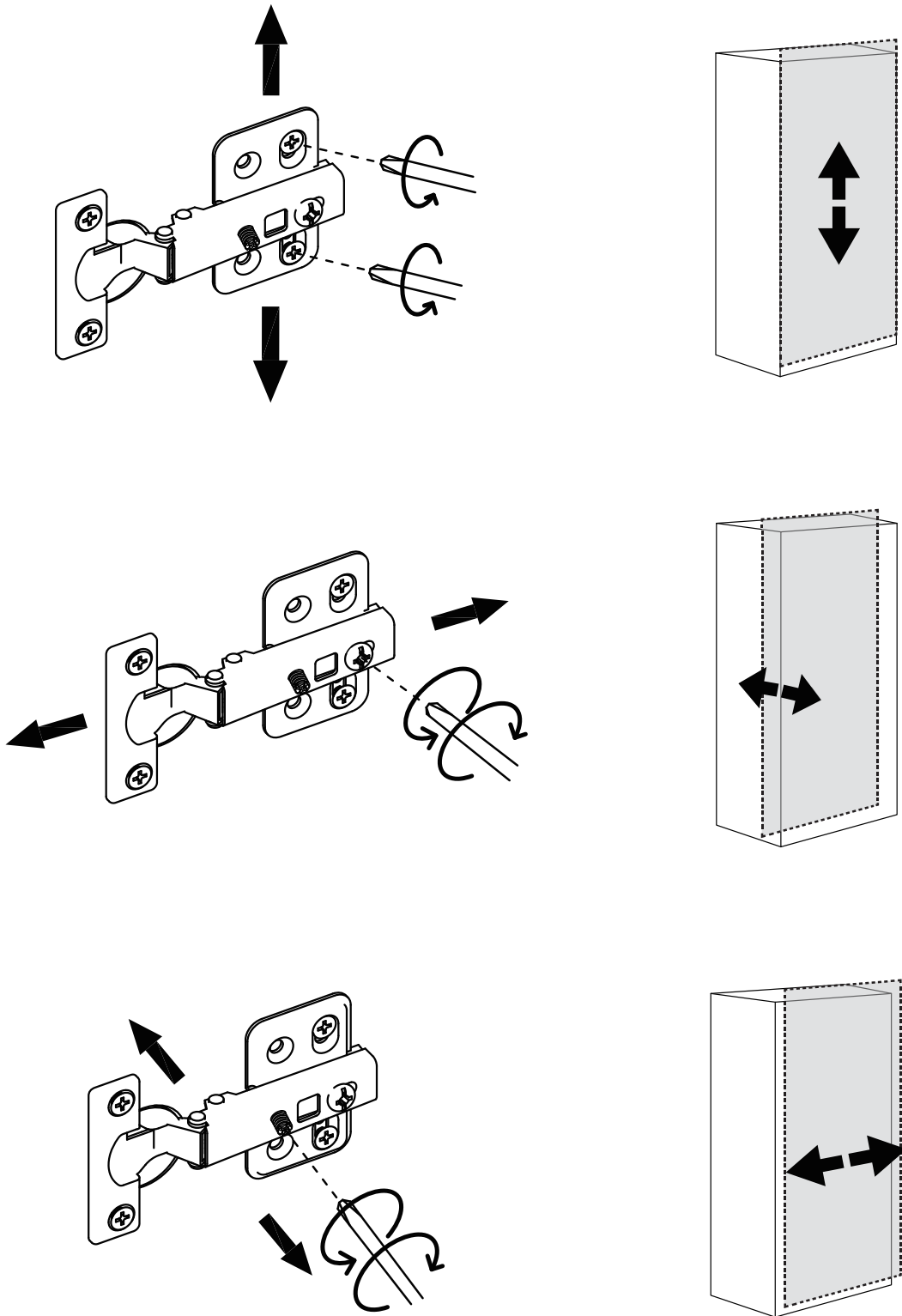


27



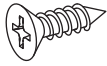
By adjusting the screws

you can manually adjust the door (forward/backward, up/down or left/right) to align the cabinet.

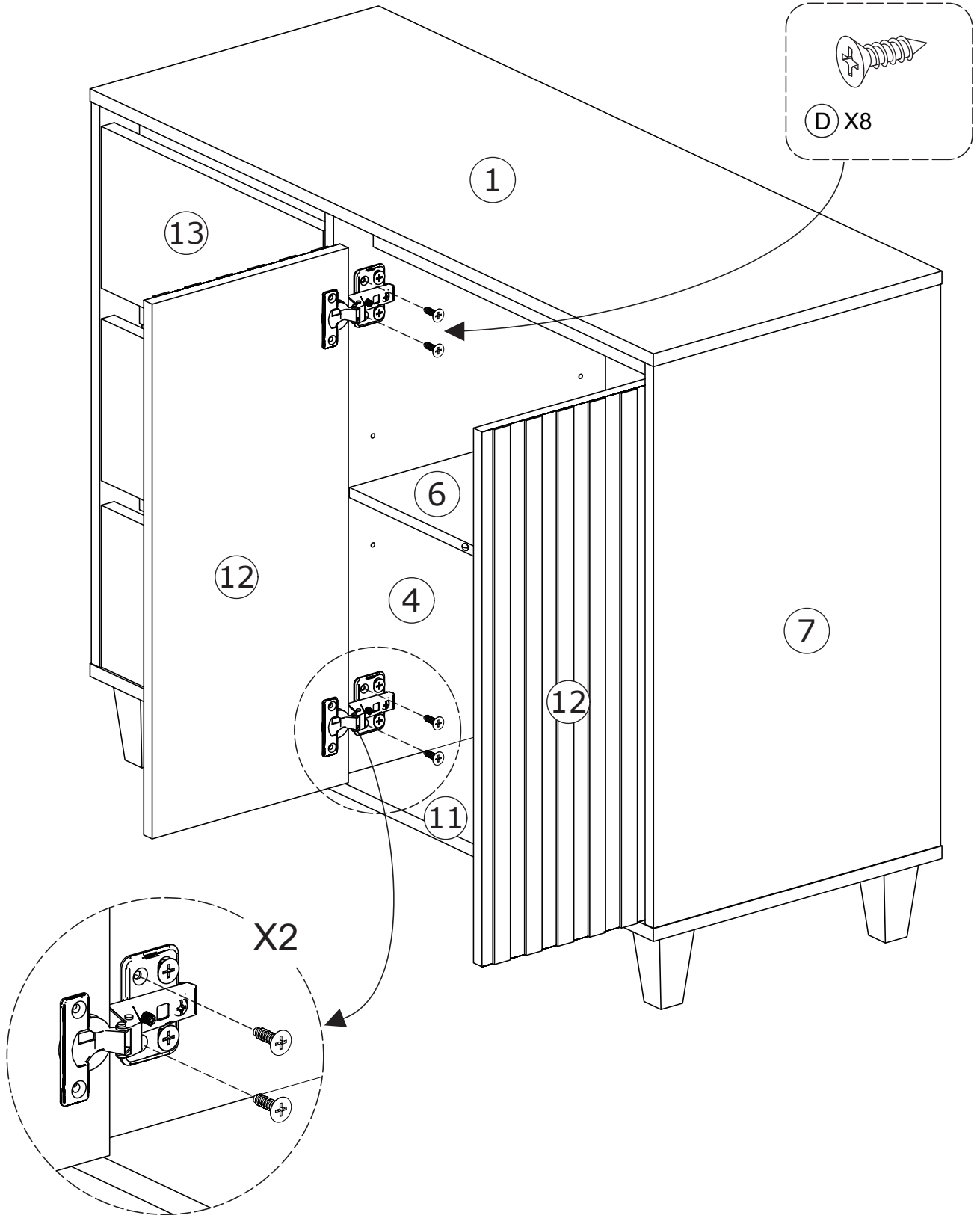
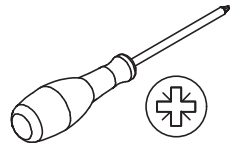


28

D x 8



Ø3.5 x 12 mm



29

