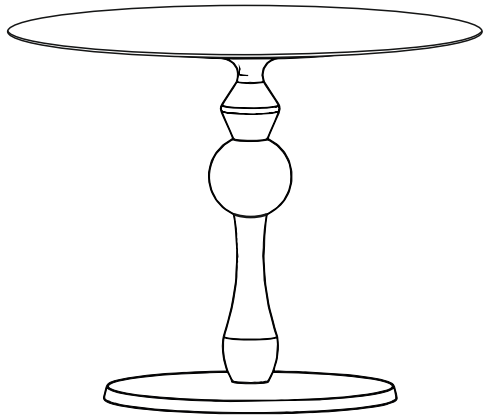
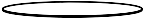
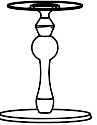
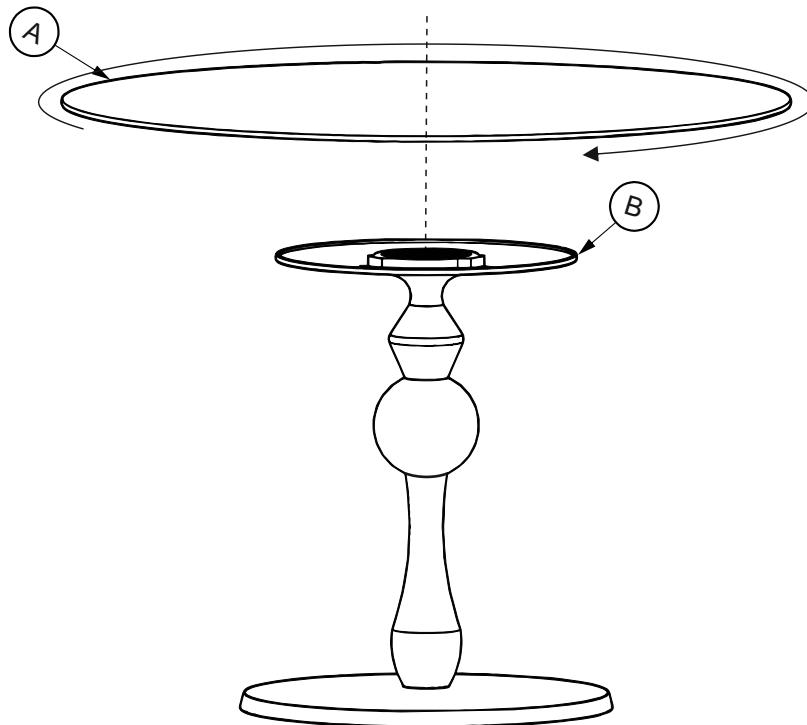


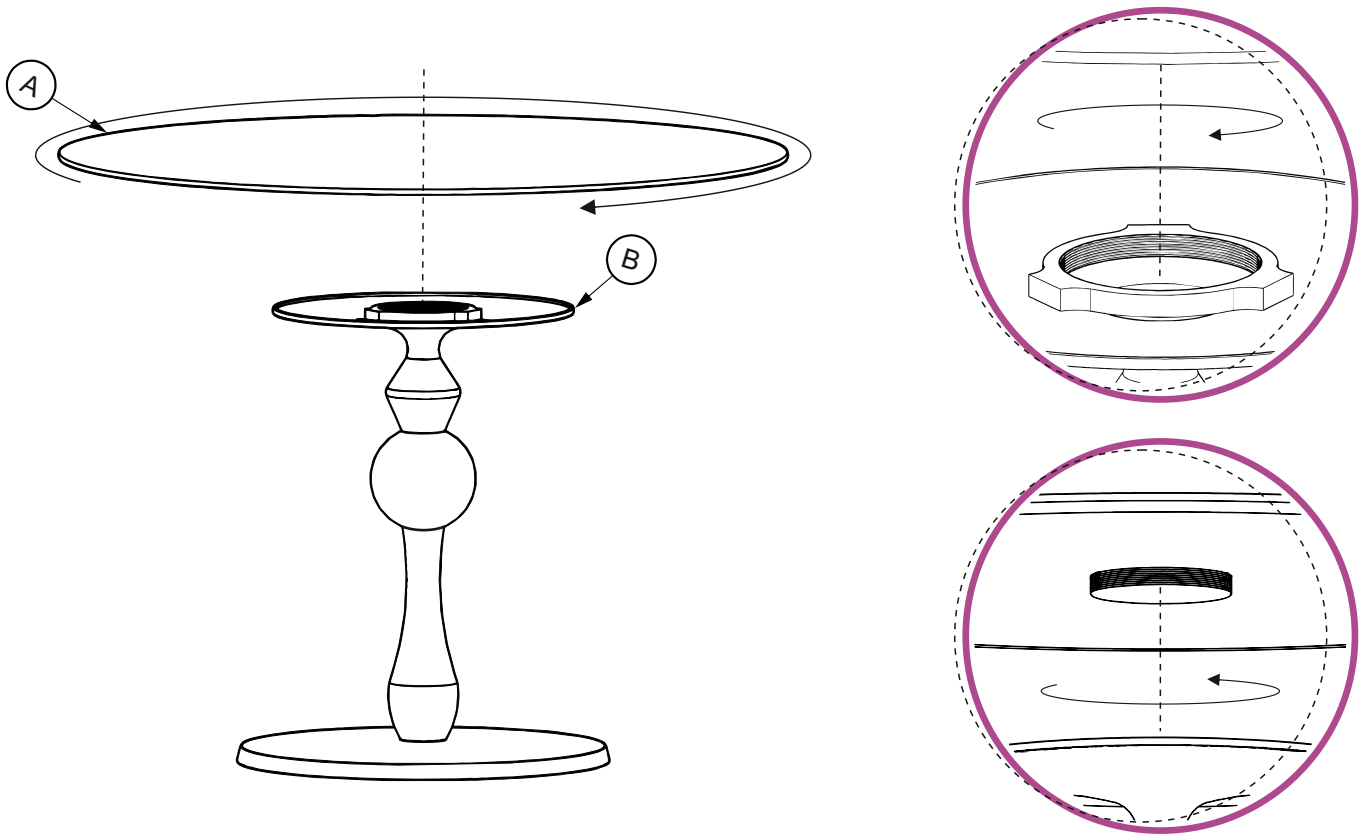
ASSEMBLY INSTRUCTION FOR END TABLE



HARDWARE LIST				
A		Top	510x 5mm	1
B		Base	280x 500mm0	1



Step 1



Final

