

Closets & Co.

Rev.01

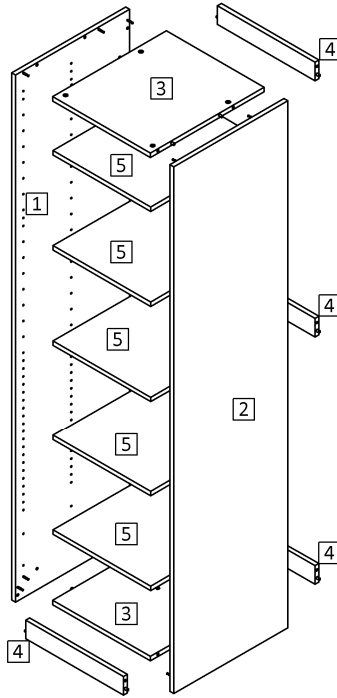


REF.: MCL016

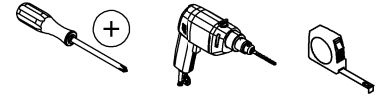
ASSEMBLY INSTRUCTIONS BOX 08

ASSEMBLY INSTRUCTIONS:

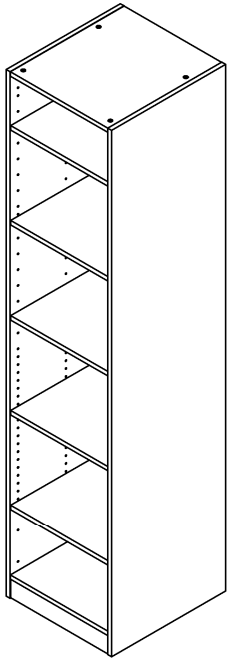
- 1- PLEASE READ THESE INSTRUCTIONS COMPLETELY BEFORE STARTING ASSEMBLY;
- 2- THE ASSEMBLY MUST BE EXECUTED ON A FLAT AND CLEAN SURFACE;
- 3- FOR CLEANING PLEASE USE A WATER SEMI WET CLEAN CLOTH FOLLOWING BY A DRY CLEAN CLOTH;
- 4- DO NOT USE ABRASIVES SOLUTIONS;



| PART LIST | | |
|-------------|-----|------------------|
| PART NUMBER | Qty | DESCRIPTION: |
| 1 | 1 | LEFT SIDE PANEL |
| 2 | 1 | RIGHT SIDE PANEL |
| 3 | 2 | BOTTOM/TOP PANEL |
| 4 | 4 | FRAME |
| 5 | 5 | SHELVES |

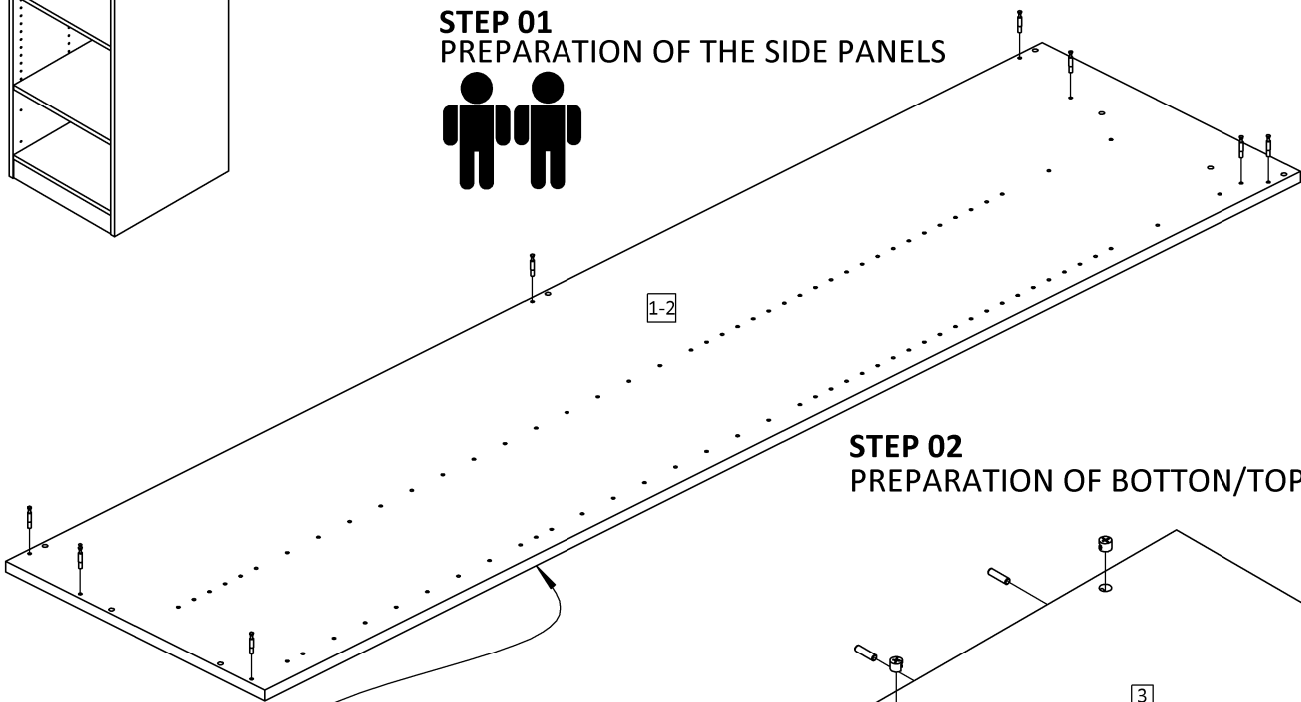
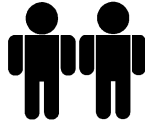


| CABINET HARDWARES | 16 | 16 | 16 |
|-------------------|-----------------|----------|---------------------|
| | | | |
| | CAM LOCK SCREWS | CAM LOCK | DOWEL 5/16 X 1 3/16 |

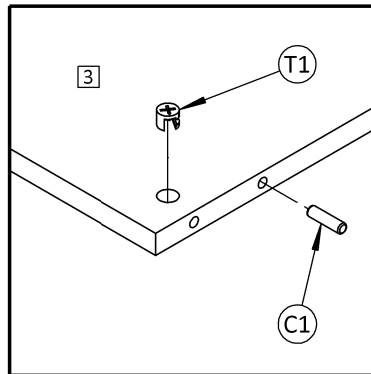
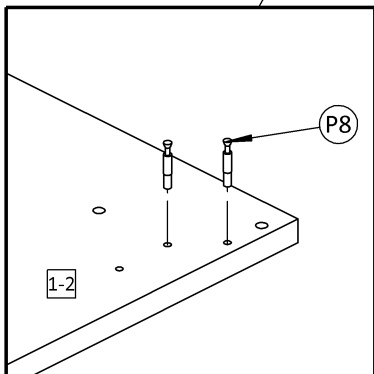
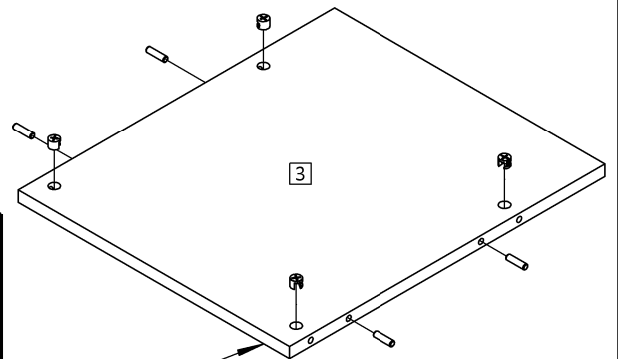


CABINET ASSEMBLY

STEP 01 PREPARATION OF THE SIDE PANELS



STEP 02 PREPARATION OF BOTTOM/TOP PANELS

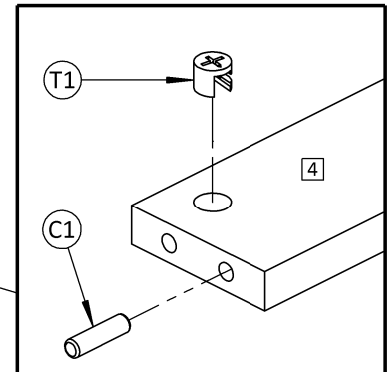
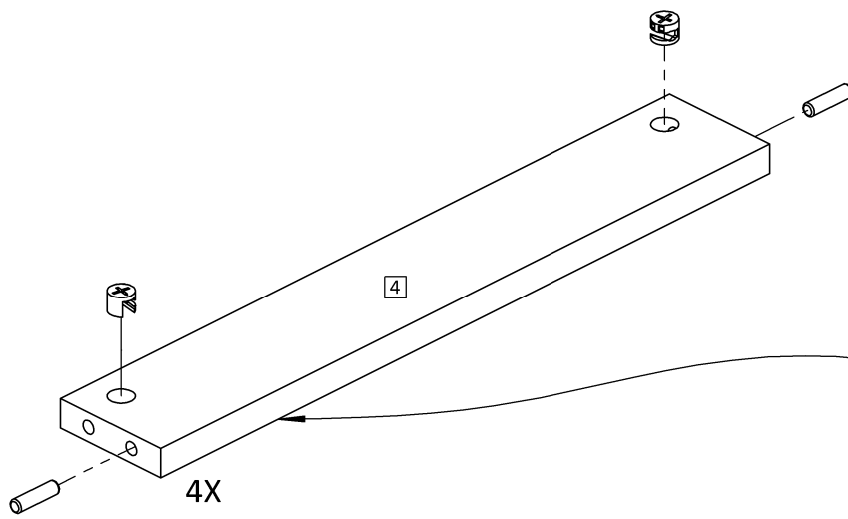




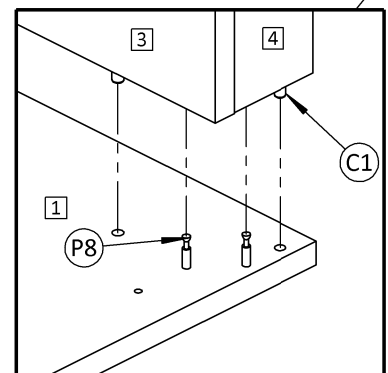
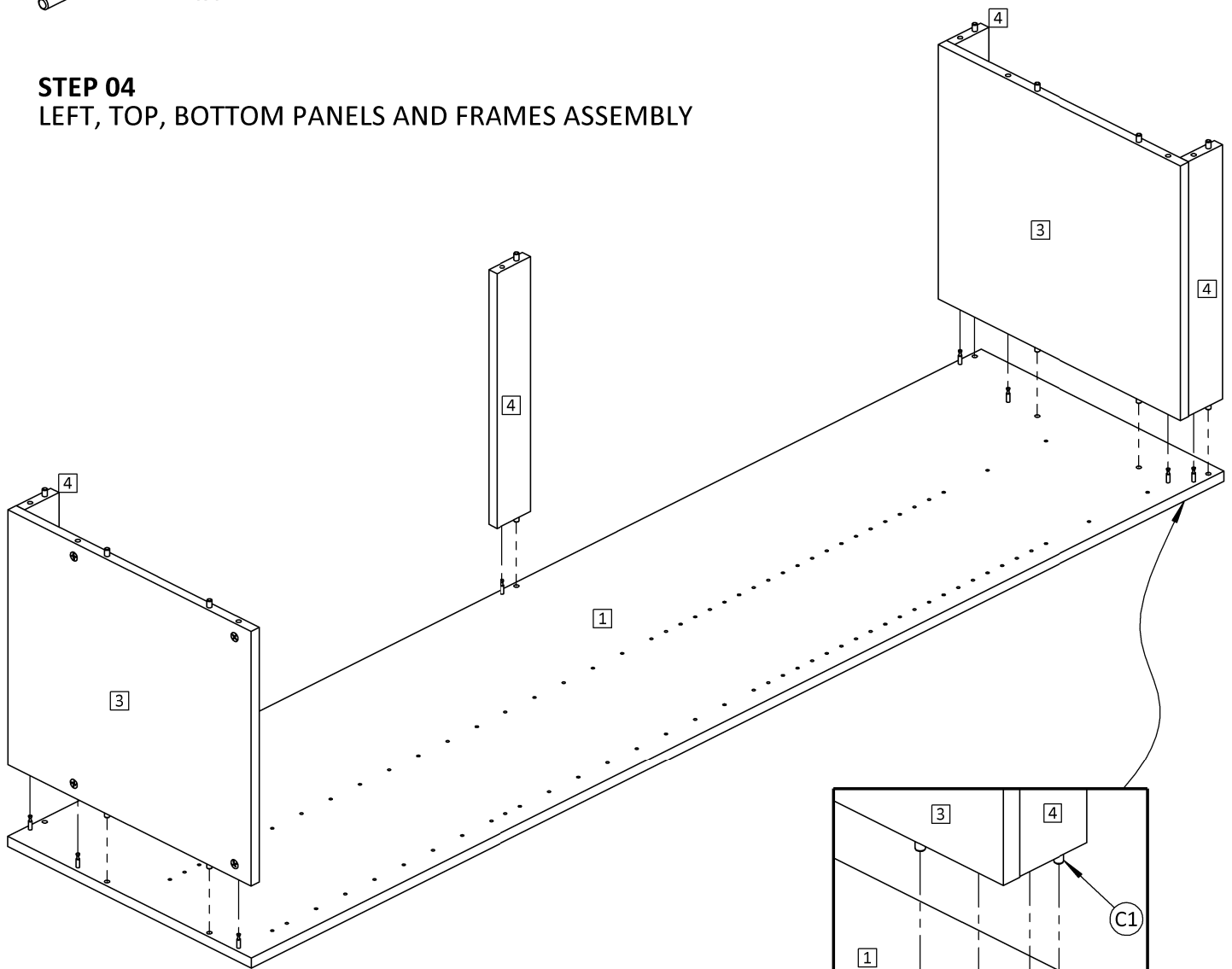
ASSEMBLY INSTRUCTIONS

BOX 08

STEP 03 PREPARATION OF THE FRAMES



STEP 04 LEFT, TOP, BOTTOM PANELS AND FRAMES ASSEMBLY

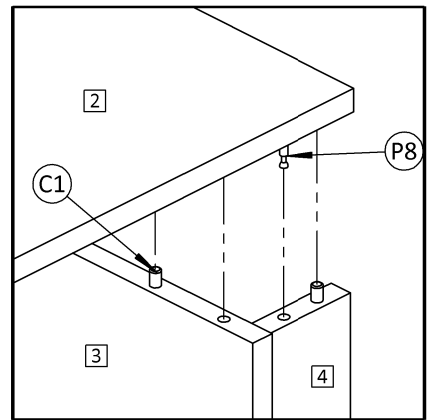
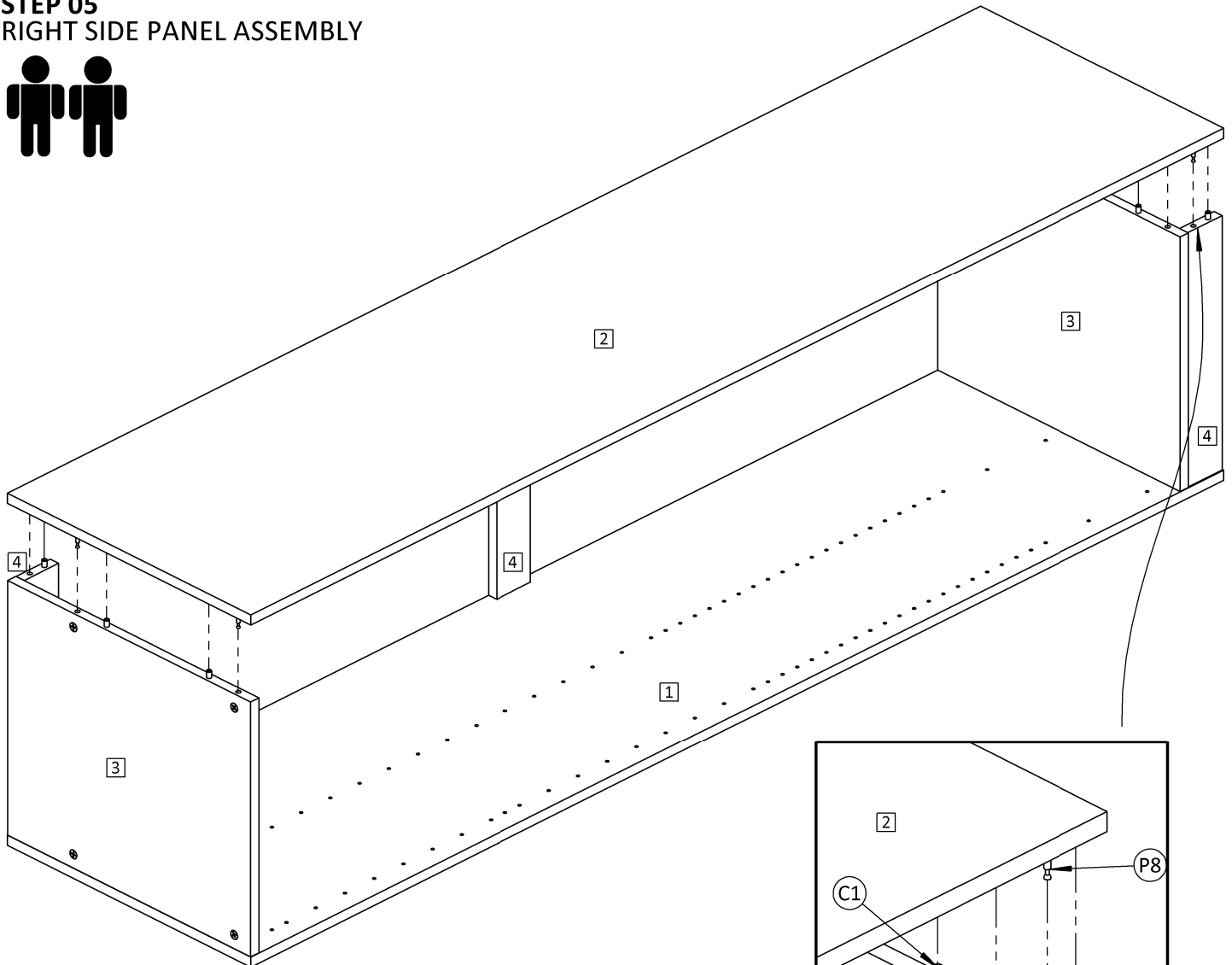
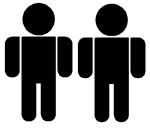




ASSEMBLY INSTRUCTIONS

BOX 08

STEP 05 RIGHT SIDE PANEL ASSEMBLY



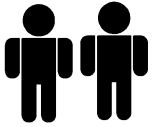
STEP 06
FIXING THE CABINET ON THE WALL

FIXING THE CABINET

Rev.01



REF.: MCL016



DRILL THE WALL
USING A DRILLER
IN ORDER TO
INSERT THE PLUG

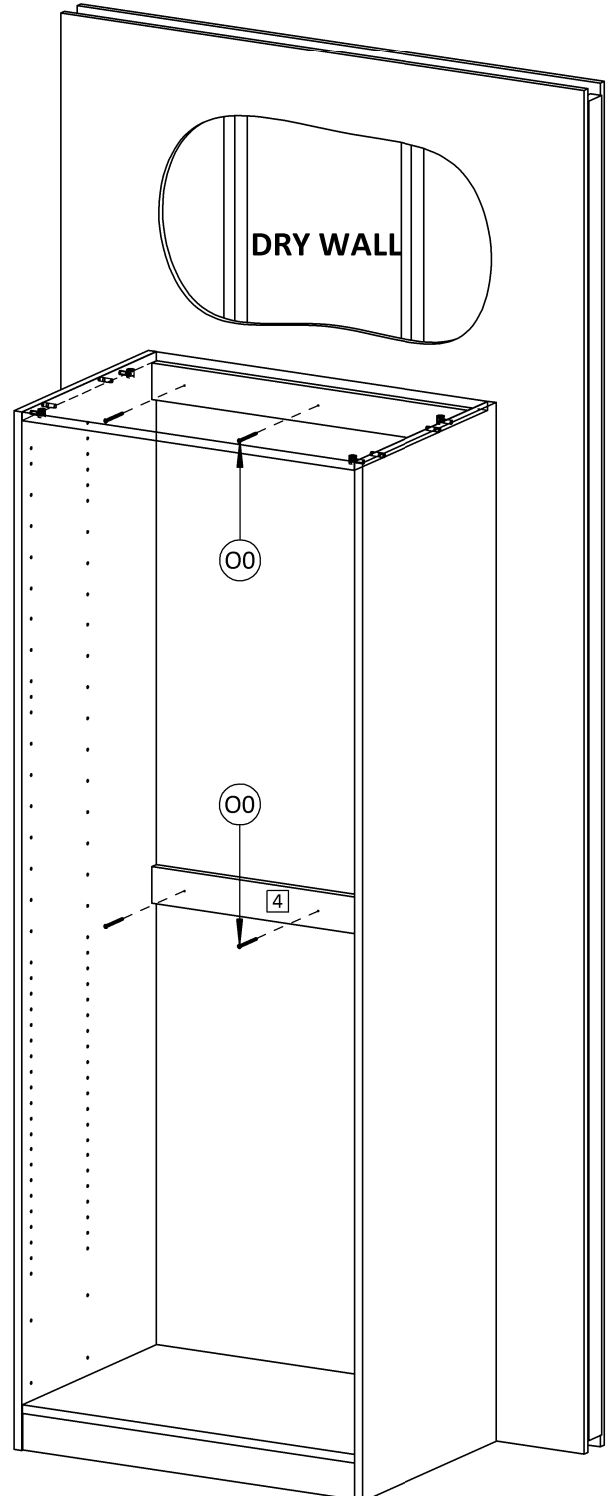
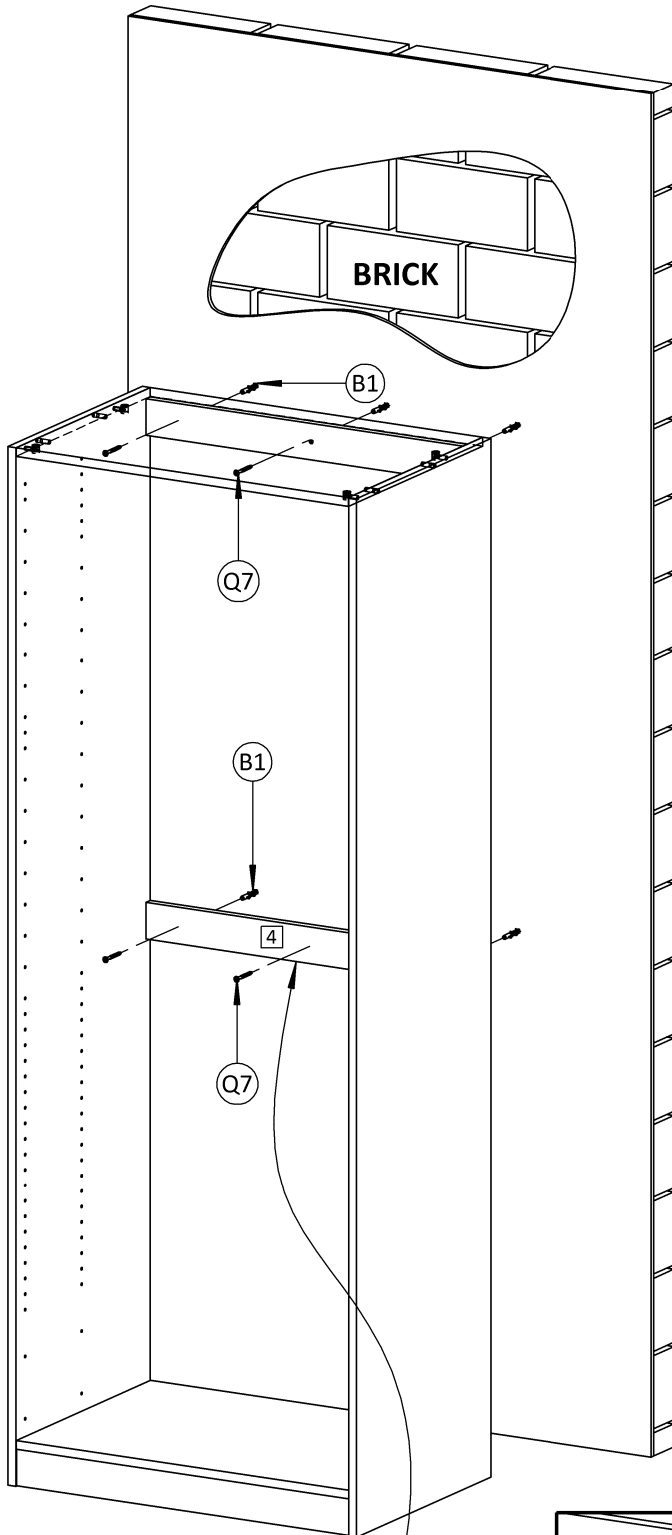
ASSEMBLY INSTRUCTIONS
BOX 08



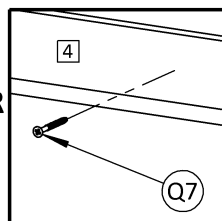
**IT IS REQUIRED TO FIX
THE CABINETS ON THE WALL
RISK OF FALL!**



| FIXING HARDWARES | 06 | 06 | 06 | 08 |
|---------------------|--------------------|-------------------|--------------|--------------------|
| | | | | |
| | SCREW 5/32 X 2 3/4 | SCREW 1/4 X 2 3/4 | PLASTIC PLUG | SCREW 9/64 X 1 1/4 |



**SCREW IN THE CENTER
OF THE FRAME**

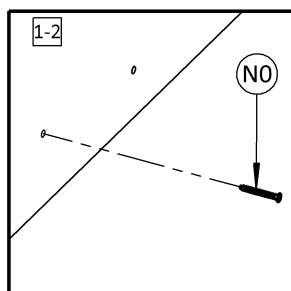
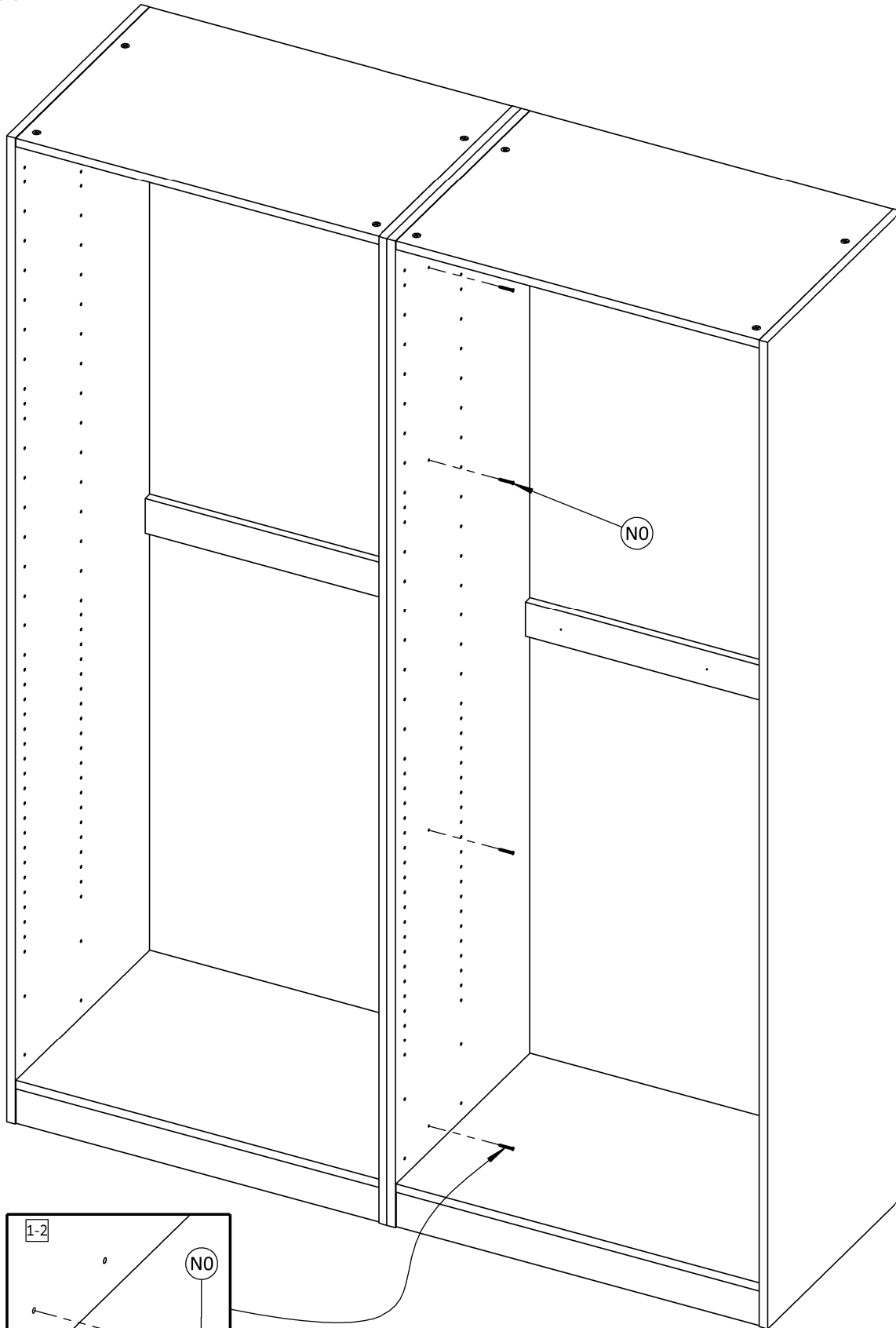
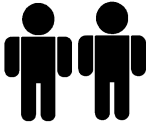


**THE CABINET MUST ALWAYS BE
SUPPORTED ON THE GROUND**



STEP 07
JOINING THE CABINETS

ASSEMBLY INSTRUCTIONS
BOX 08

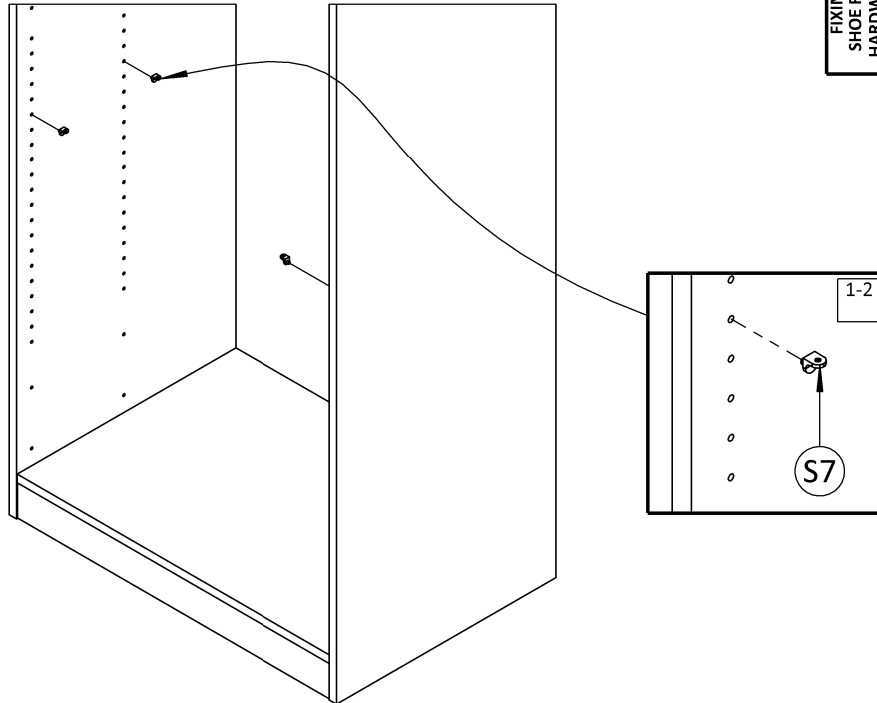
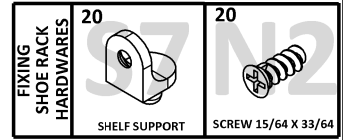




FIXING THE SHELVES INSIDE THE CABINET

ASSEMBLY INSTRUCTIONS BOX 08

STEP 08 FIX THE SUPPORT ON THE SIDE PANNELS CLOSET



STEP 09 FIT THE SHELF ON THE CLOSET

SCREW THE SHELF
ON THE SUPPORT

