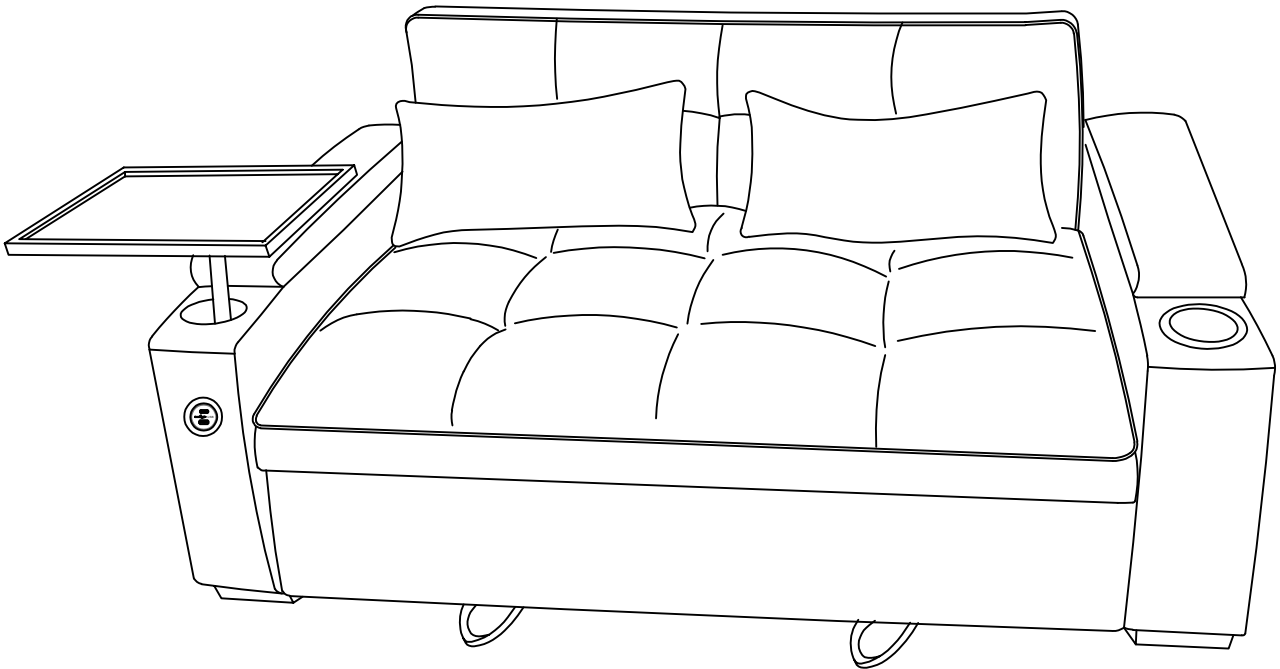
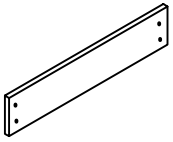


# Installation & Assembly



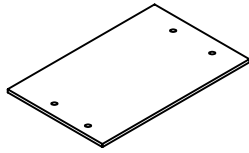
# ASSEMBLY INSTRUCTION

A



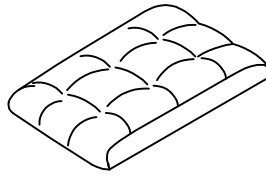
x1

B



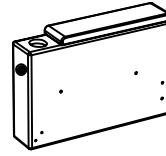
x1

C



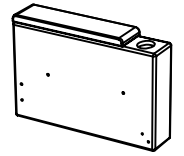
x1

D



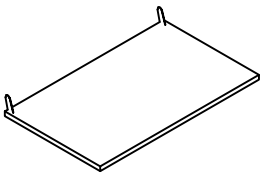
x1

E



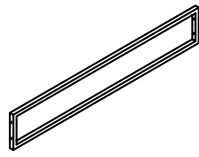
x1

F



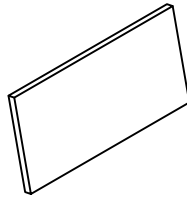
x1

G



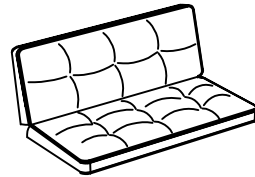
x1

H



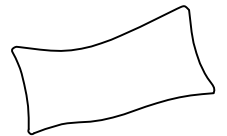
x1

I



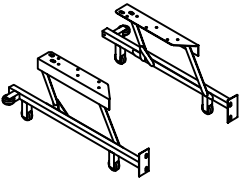
x1

J



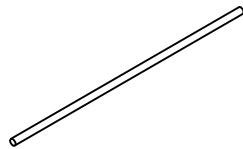
x2

K



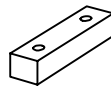
x1

L



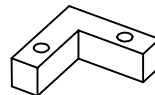
x1

M



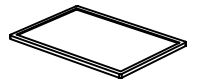
x4

N



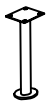
x2

O



x1

P



x1

Q



M6\*10

x4

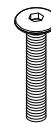
R



M6\*20

x8

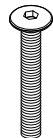
S



M6\*40

x8

T



M6\*50

x8

U



M6

x12

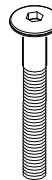
V



M6

x1

W



M8\*65

x4

X



M8

x4

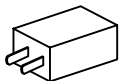
Y



M8

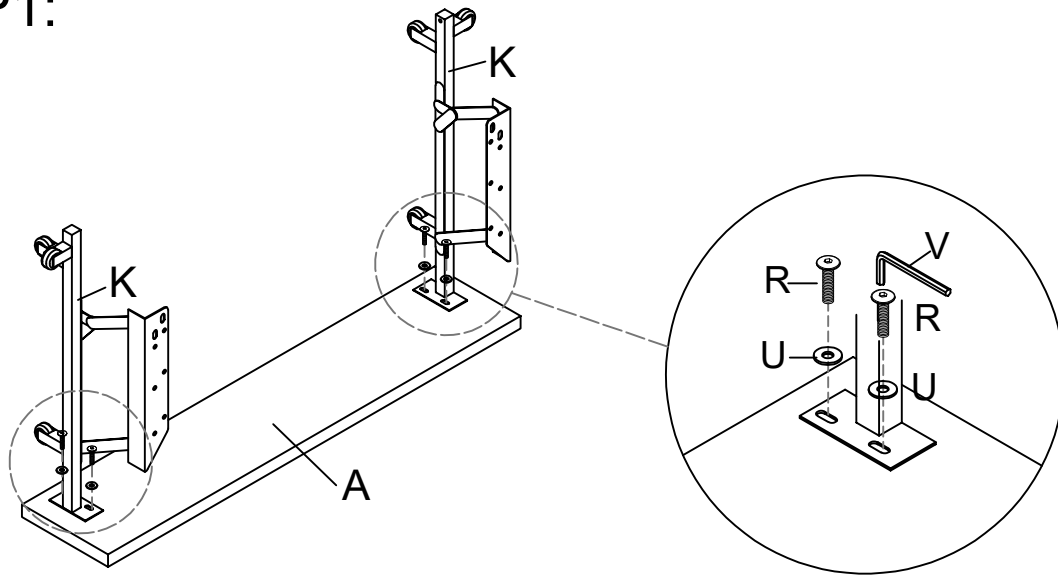
x1

Z

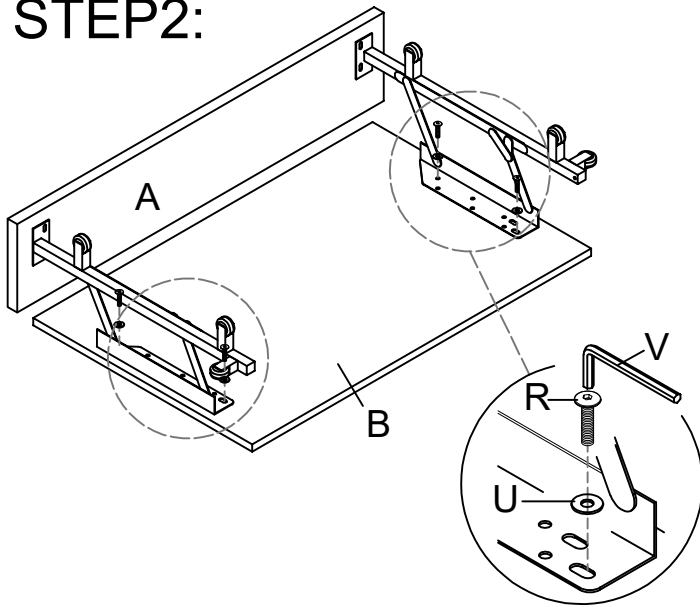


x1

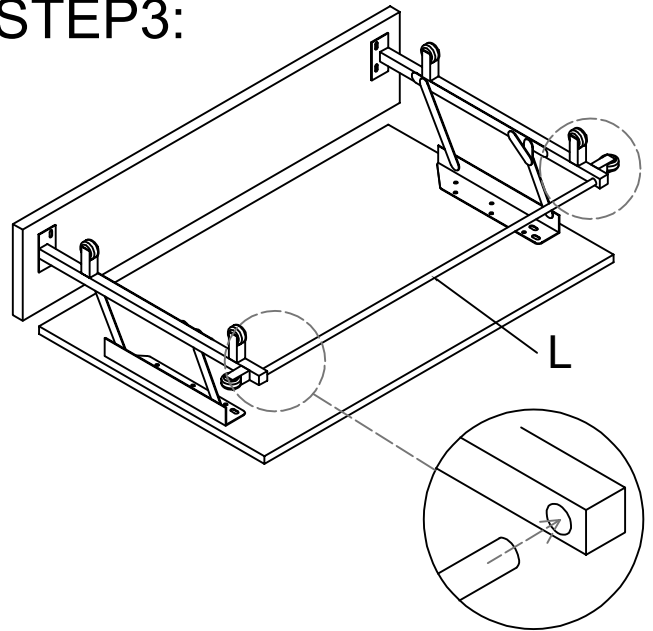
# STEP1:



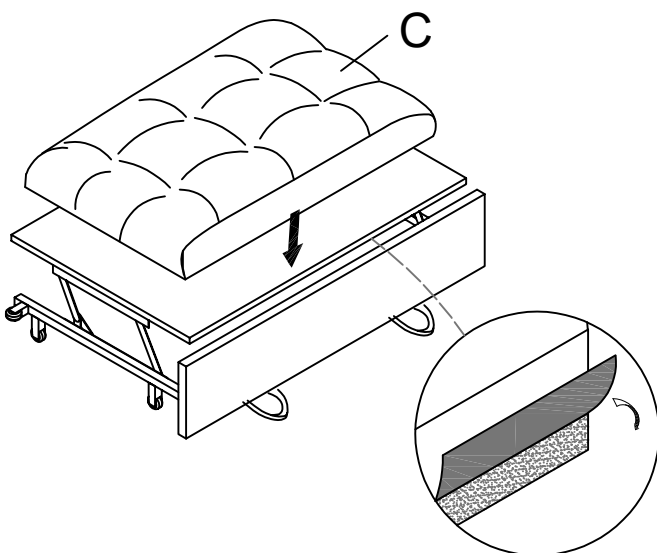
# STEP2:



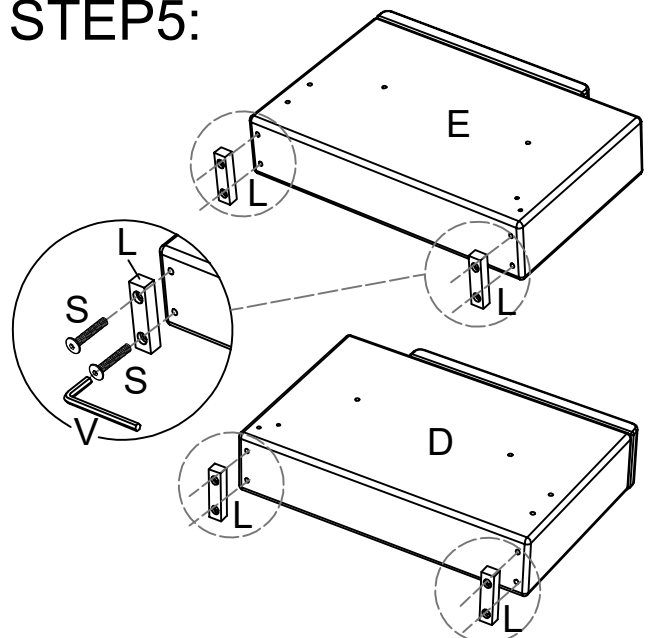
# STEP3:



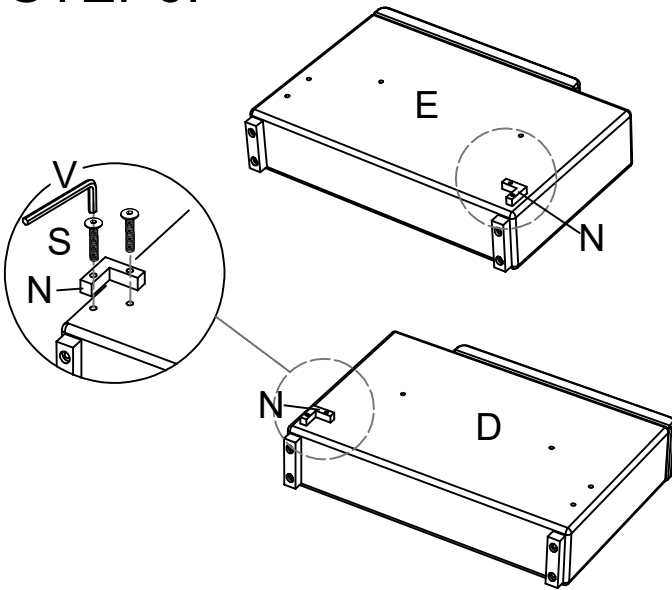
# STEP4:



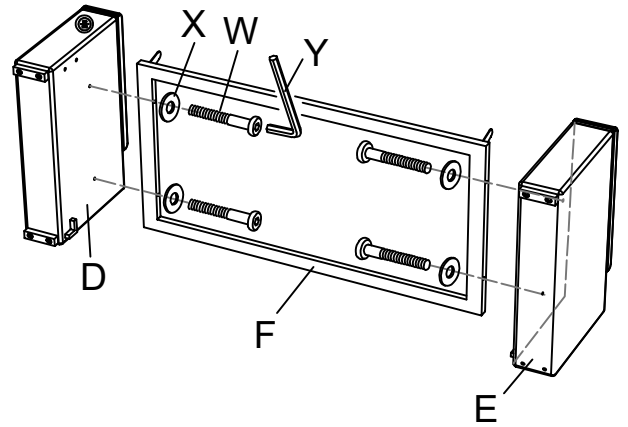
# STEP5:



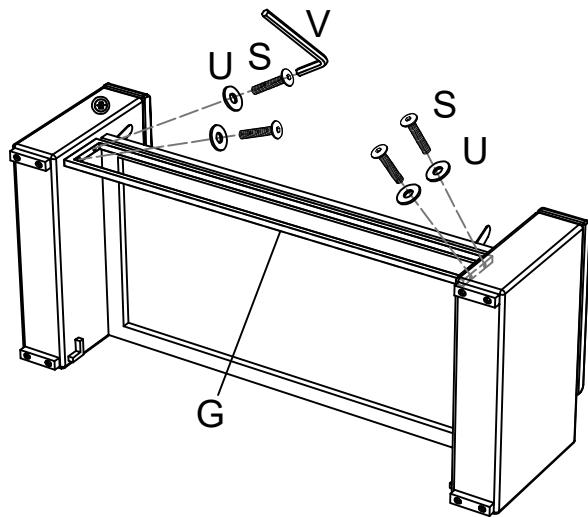
### STEP6:



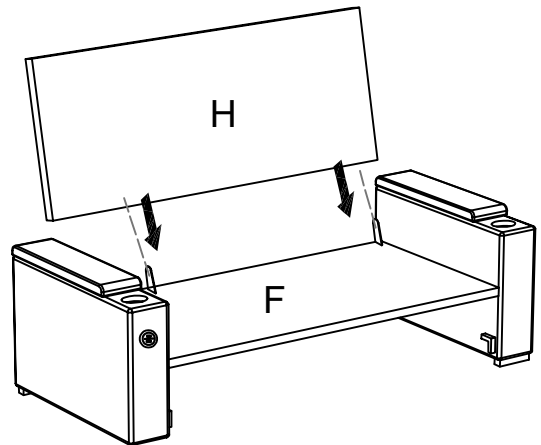
### STEP7:



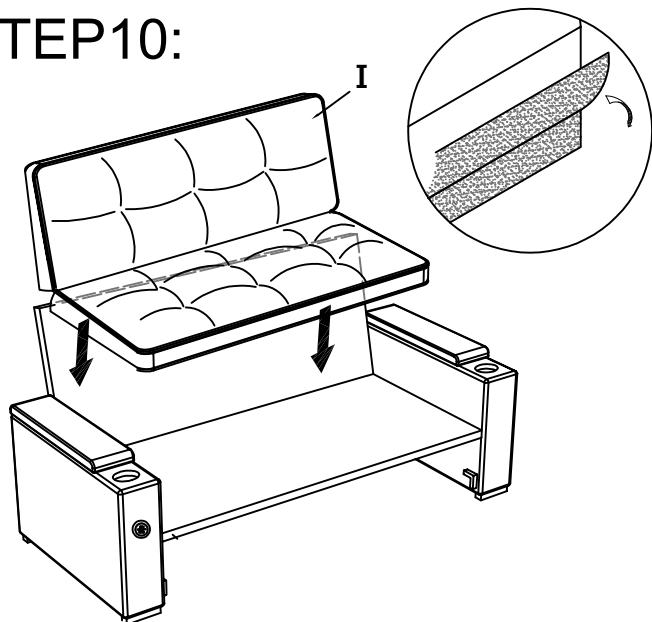
### STEP8:



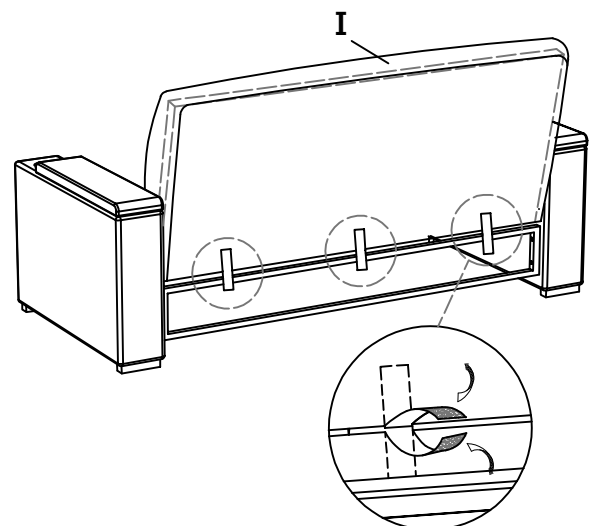
### STEP9:



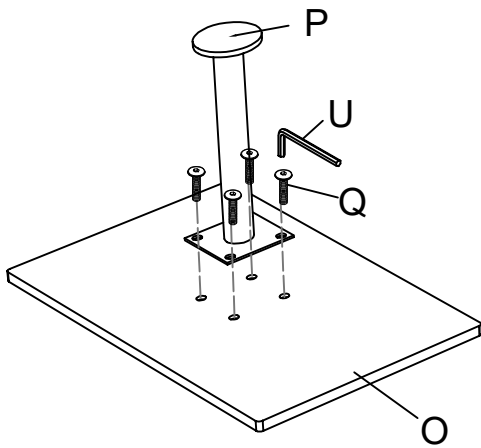
### STEP10:



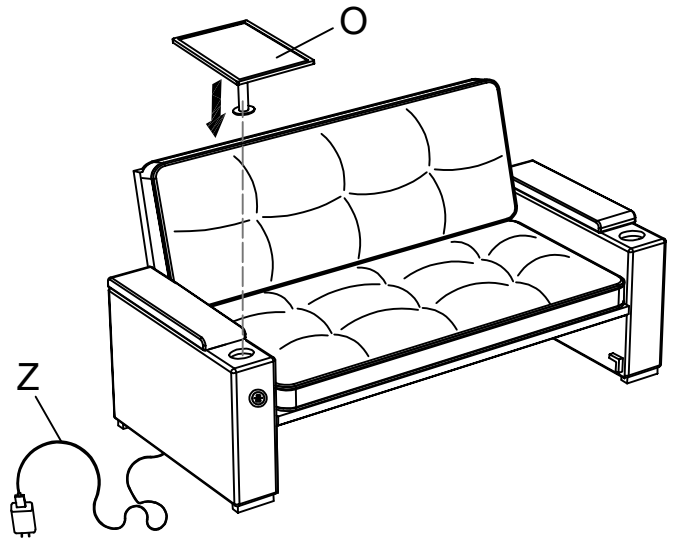
### STEP12:



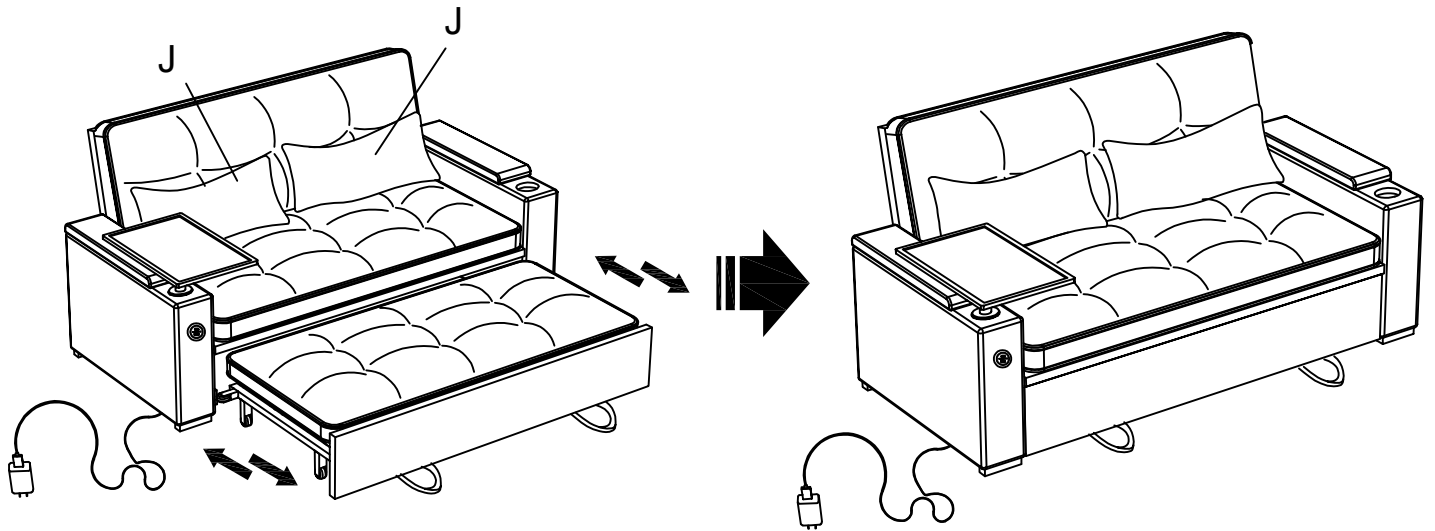
### STEP13:



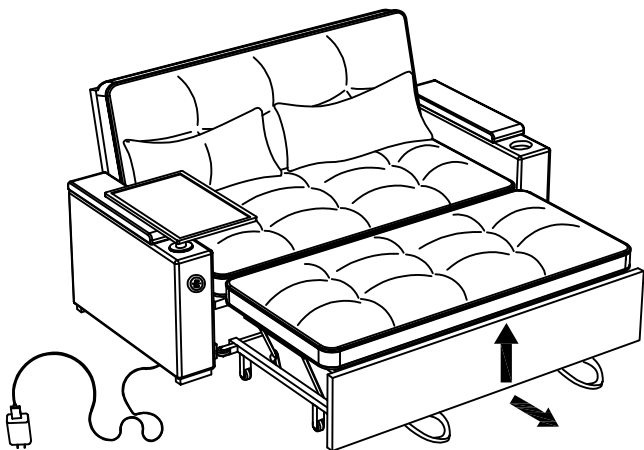
### STEP14:



### STEP15:



### STEP16:



### STEP17:

