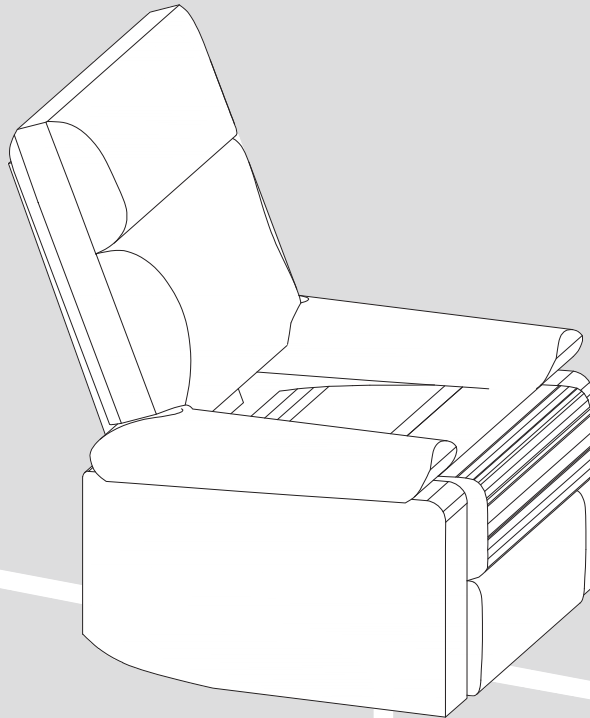


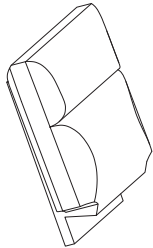
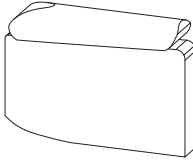

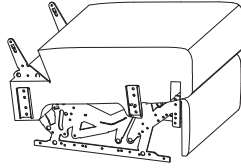

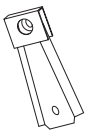


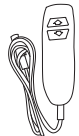
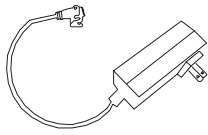
# INSTALLATION GUIDE



**Function single  
person**

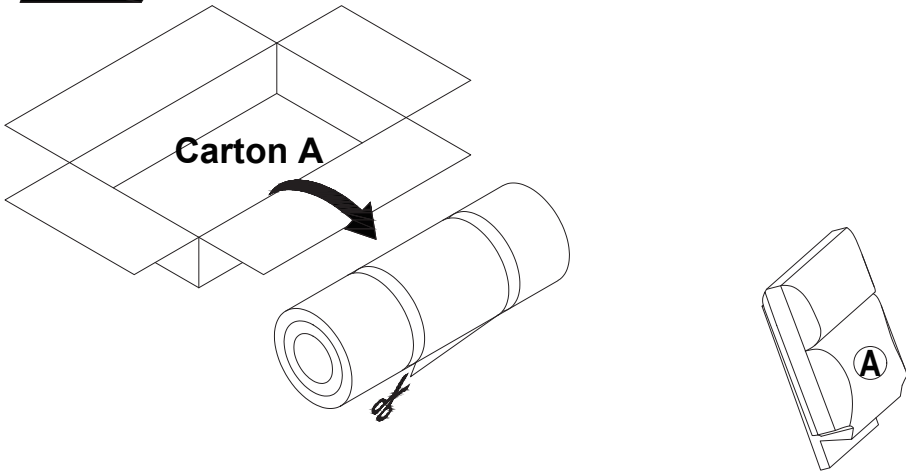
**SIZE:**  
1-Single lounge chair

**PARTS LIST (Carton A)**

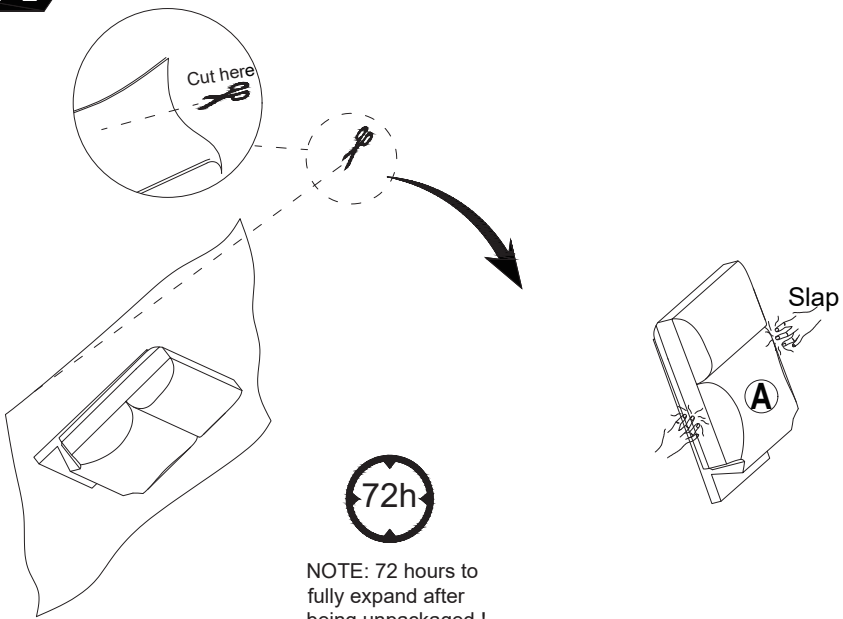
<p><b>A</b> x 1</p>  <p>Backrest</p>	<p><b>B</b> x 2</p>  <p>Armrest</p>	<p><b>C</b> x 1</p>  <p>Knife</p>
<p><b>D</b> x 1</p>  <p>Seat</p>	<p><b>E</b> x 4</p>  <p>Insert</p>	<p><b>F</b> x 2</p>  <p>Insert</p>
<p><b>G</b> x 12+1</p>  <p>Bolt M6*15mm</p>	<p><b>H</b> x 1</p>  <p>Allen Key</p>	<p><b>I</b> x 1</p>  <p>Hand Controller</p>
<p><b>J</b></p>  <p>Power Supply</p>		

# ASSEMBLY INSTRUCTION

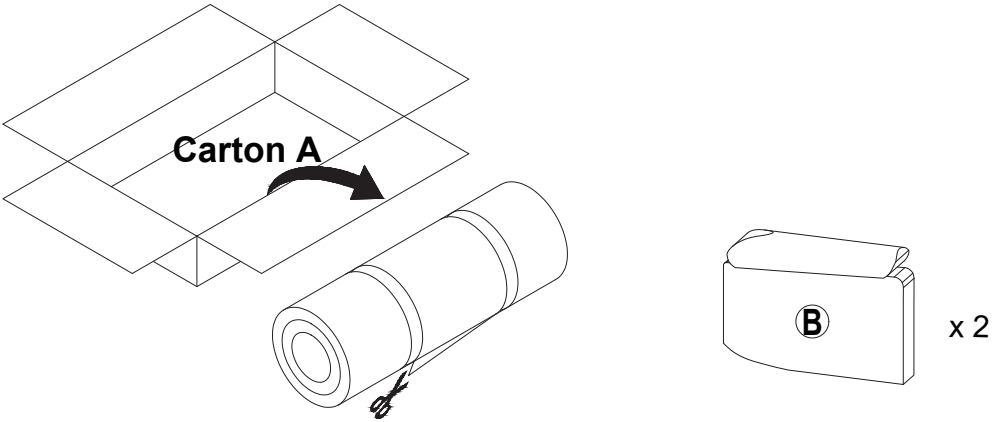
## STEP 1



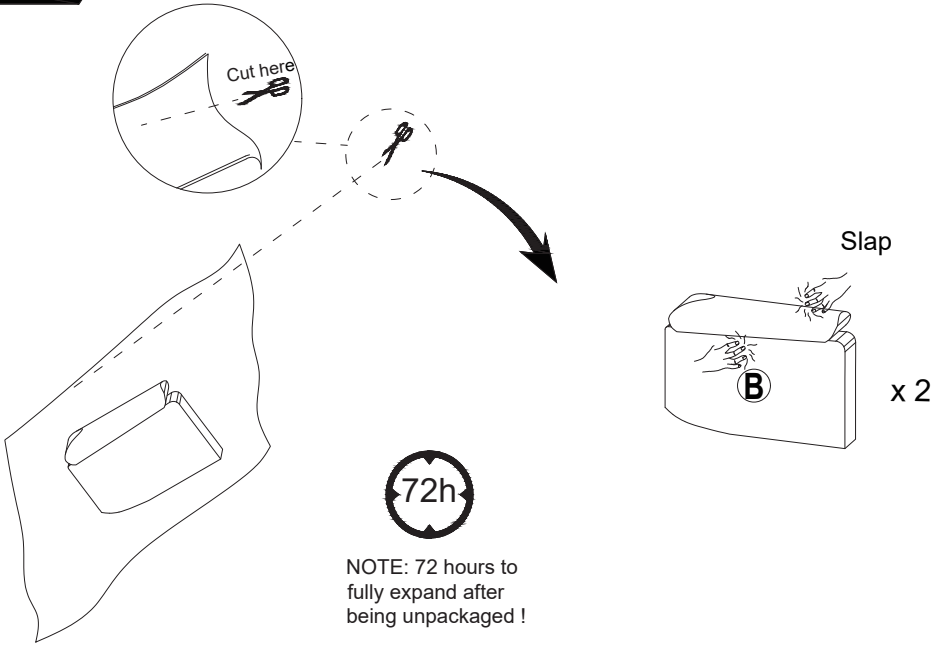
## STEP 2



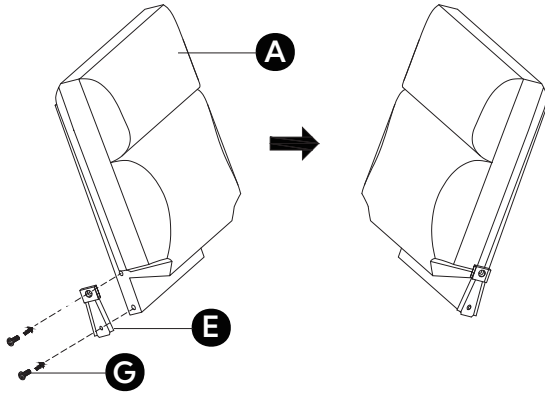
**STEP 3**






**STEP 4**

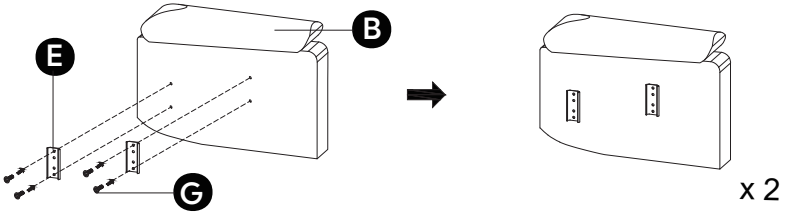





### STEP 5 Accessory Installation on Backrest



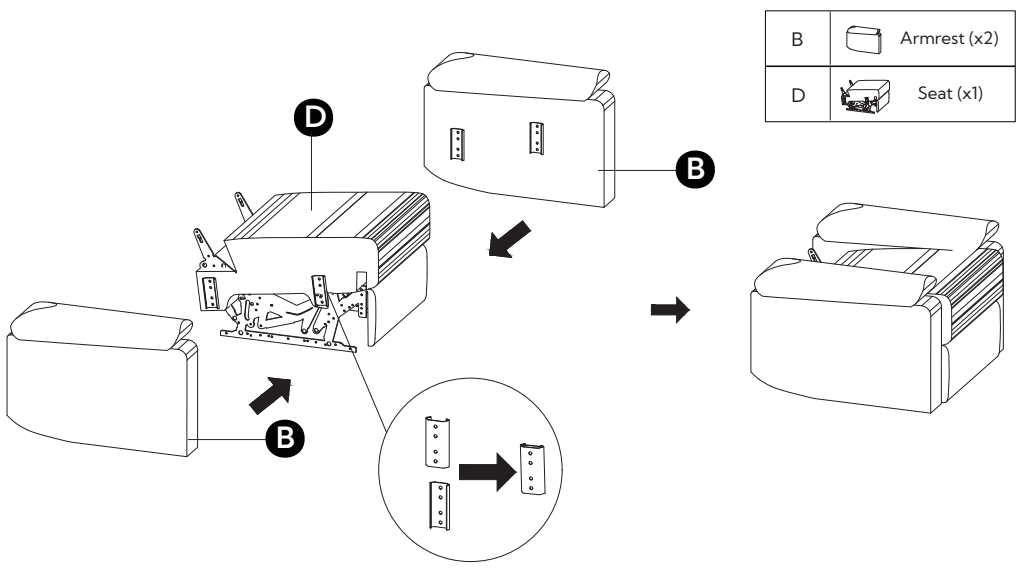
A		Backrest (x1)
F		Insert (x2)
G		Bolt (x4)

### STEP 6 Accessory Installation on Both Armrests

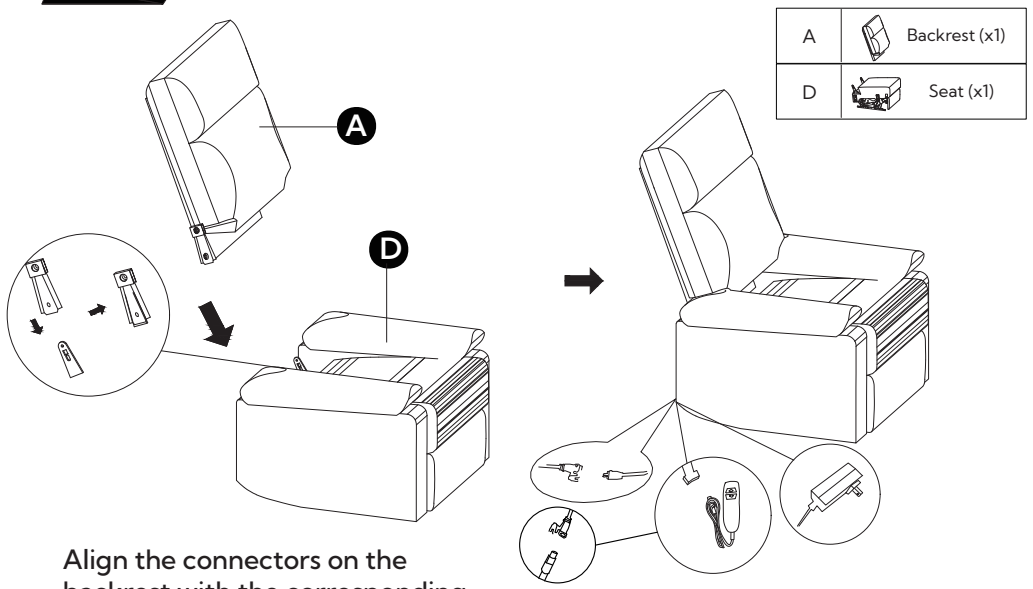


B		Armrest (x2)
E		Insert (x4)
G		Bolt (x8)

### STEP 7 Attach Armrests to Seat



### STEP 8 Attach Backrest to Seat



Align the connectors on the backrest with the corresponding connectors on the seat.

Plug the hand controller and power supply into their matching ports on the bottom of the seat.

---

**STEP 9**

