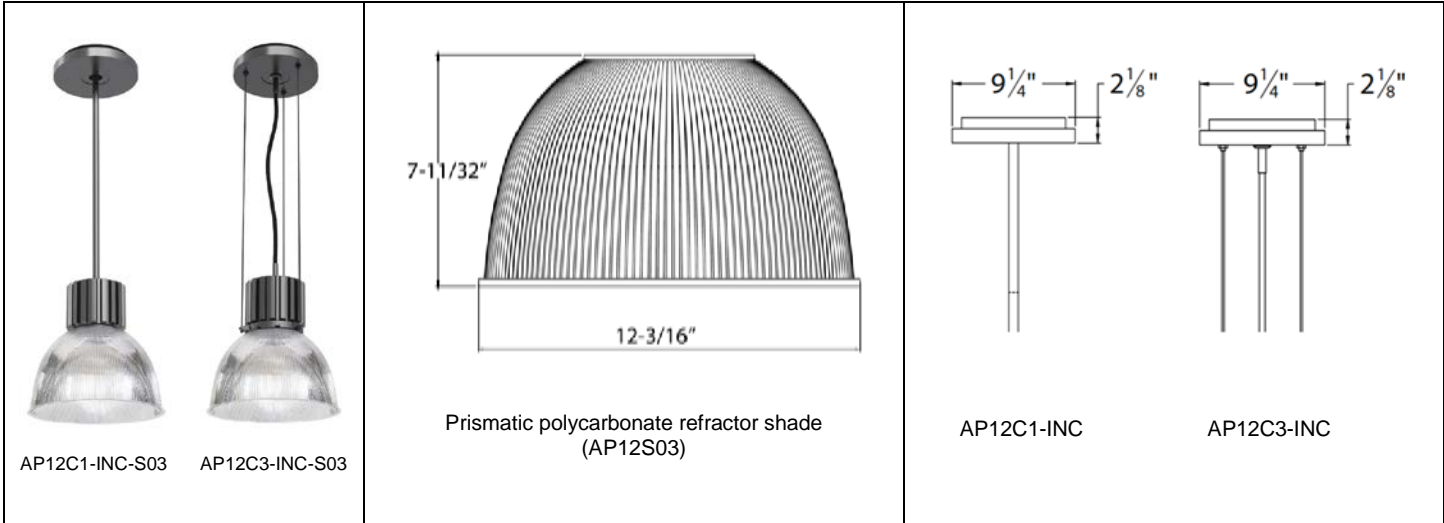




AP12-INC

ARCHITECTURAL PENDANT
12" Medium Base Incandescent

Type	
Project	
Catalog No.	



DESCRIPTION

JESCO's Medium base Architectural Pendant is precession engineered to provide a functional light source that can be customized to accommodate both residential and commercial space.

SUSPENSION

Die cast aluminum. Powder coat grey. Field cuttable.
AP12C1-INC – 10ft. 9/16" steel tubes, 2x5ft sections ± 15° swivel.
AP12C3-INC – 10ft. 3/64" steel cable. Black cord.

HUSK

Die Cast aluminum. Powder coat grey.
 Medium Base E26 socket

SHADE

Prismatic polycarbonate refractor.

OPTIONAL ACCESSORIES

AP12A-L04: Prismatic conical lens

ELECTRICAL

Input 120VAC, 50/60Hz
 Lamp 150W Max A21, Medium Base (sold separately)

LABELS

ETL and cETL Listed for use in dry or damp locations

WARRANTY

1 Years

SUSPENSION TYPE	PRISMATIC POLYCARBONATE REFRACTOR SHADE
AP12C1-INC – Rod Suspension AP12C3-INC – Aircraft Cable Suspension	AP12S03 CP Clear Prismatic

OPTIONAL ACCESSORY
LENS AP12A-L04 Prismatic clear conical, includes aluminum band for lens mounting

ORDERING INFORMATION

Order Code:	PENDENT:	AP12C1-INC-AP12S03CP – Rod Suspension Architectural Pendant with Clear Prismatic Shade AP12C3-INC-AP12S03CP – Aircraft Cable Suspension Architectural Pendant with Clear Prismatic Shade
	OPTIONAL ACCESSORY:	AP12A-L04 – Prismatic Clear Conical Lens, Includes Aluminum Band for Lens Mounting



www.jescolighting.com
 support@jescolighting.com
Tech Support: 855.592.0029

15 Harbor Park Drive
 Port Washington, NY 11050
Main Line: 800.527.7796
Fax Line: 855.265.5768

219 South 6th Ave
 City of Industry, CA 91746
Main Line: 855.654.0110
Fax Line: 626.333.2955

5/19/2020

Specifications subject to change without notice.





AP12-INC

ARCHITECTURAL PENDANT
12" Medium Base Incandescent


Type	
Project	
Catalog No.	

SUSPENSION



	Part Number	Description
	AP12C1-INC	Cuttable 10' (nominal) rod suspension

	Part Number	Description
	AP12C3-INC	Cuttable 10' (nominal) aircraft cable suspension

SHADE

Prismatic Polycarbonate Refractor		
	Part Number	Description
	AP12S03 CP	Clear Prismatic

OPTIONAL ACCESSORIES

 	Part Number	Description
	AP12A-L04	Prismatic clear conical lens Includes aluminum ring for lens mounting