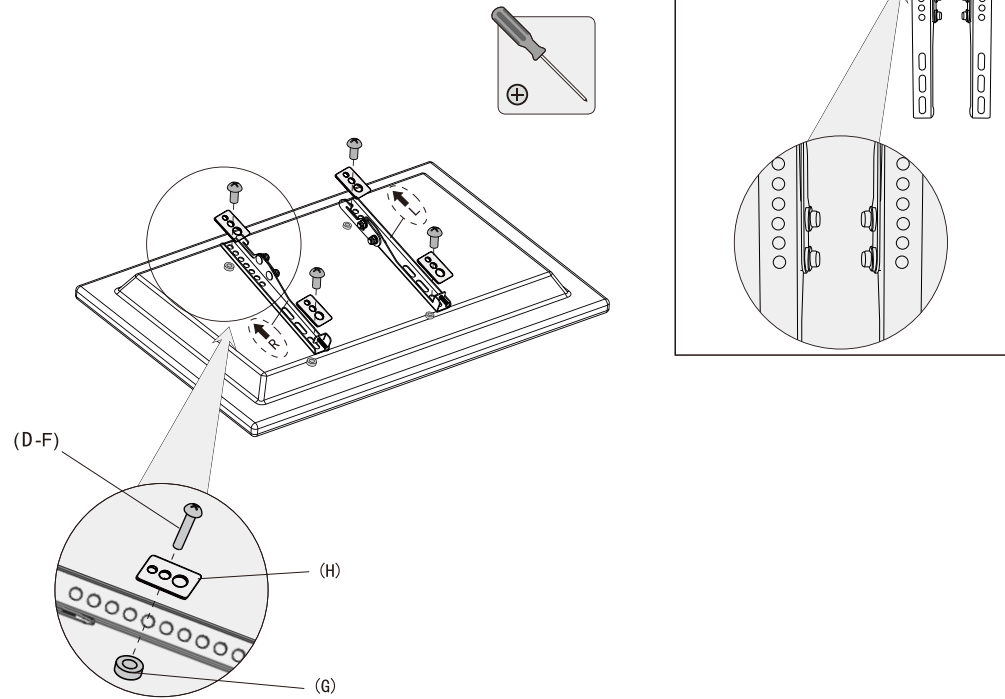
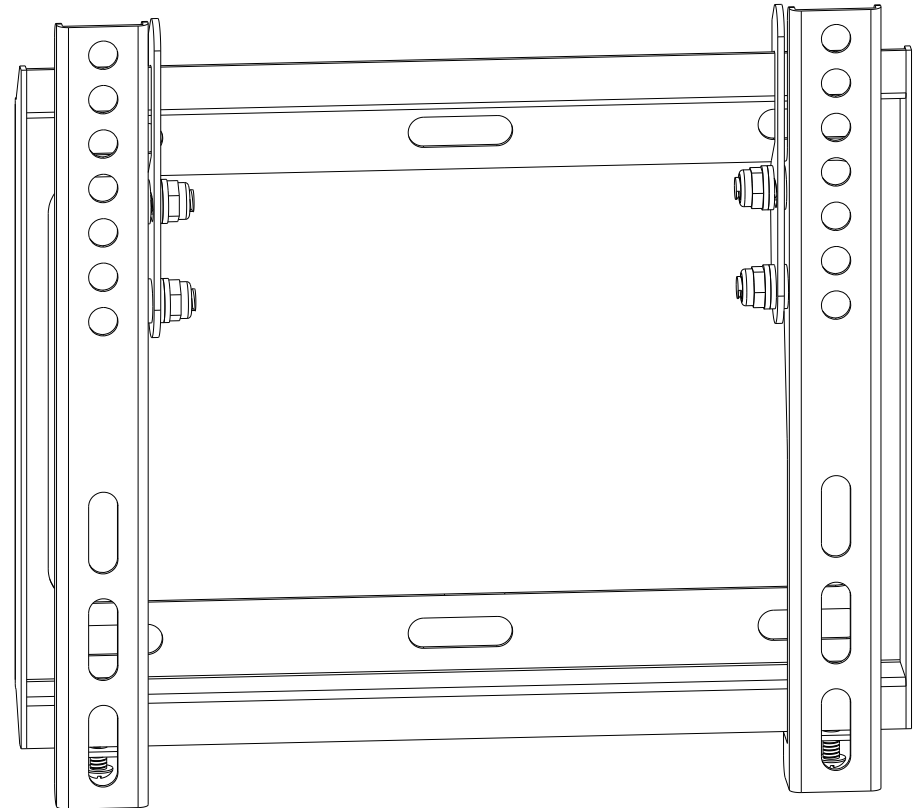
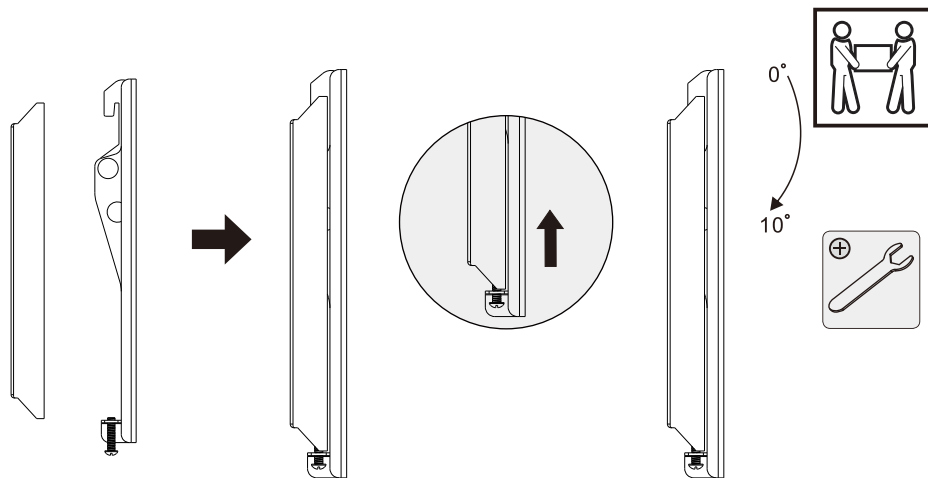


# TILT TV Wall Mount

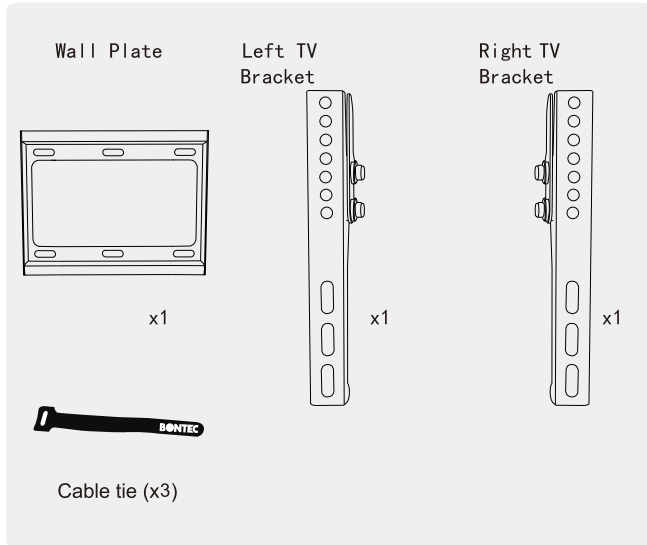
2.



3.

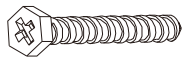


# Supplied Parts List



## Hardware ( Wall / product )

M6X50MM Self-tap screws



(A) x4

M10X50MM Plastic anchors



(B) x4

φ6 mm Washer



(C) x4

M4x16mm



(D) x4

M6x16mm



(E) x4

M8X20MM



(F) x4

D8x5mm Plastic Sleeve



(G) x4

φ4/ φ6/ φ8 mm Washer



(H) x4

8mm Wrench



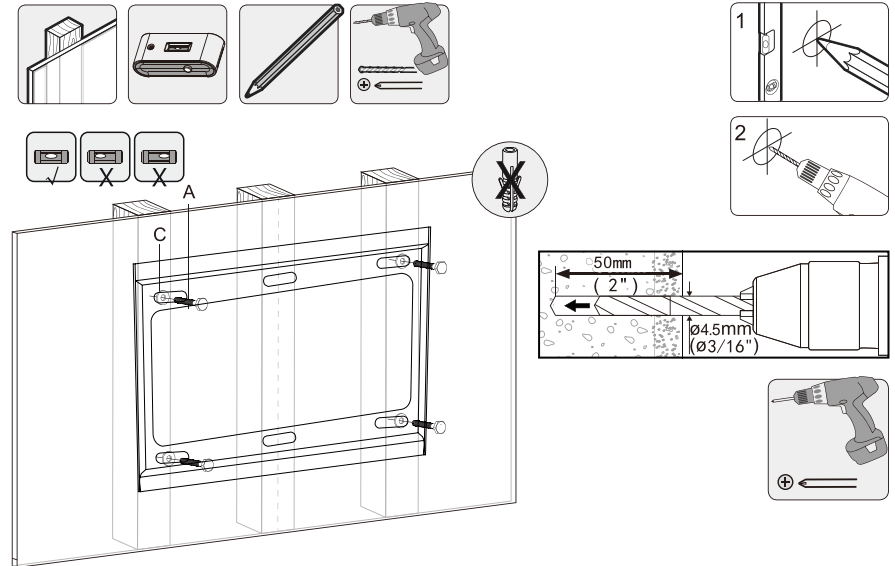
(I) X1

Bubble level



(J) X1

## 1a. Wood Stud Installation



## 1b. Concrete Wall Installation

