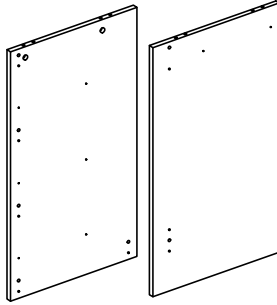
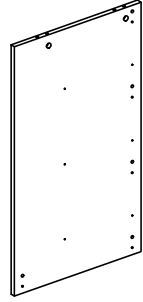


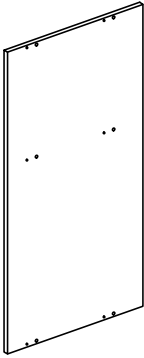
Ax1



Bx1



Cx1

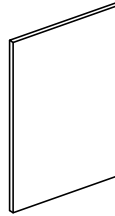


Dx1



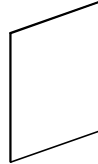
Ex1

$$\frac{675 \times 349}{26.6 \times 13.7}$$



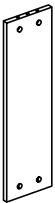
Fx1

$$\frac{509 \times 350}{20 \times 13.8}$$



Gx3

$$\frac{400 \times 294}{15.7 \times 11.6}$$



Hx1



lx1



Jx3



Kx6



Lx5



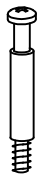
Mx3

$$\frac{535 \times 150}{21.1 \times 5.9}$$

$$\frac{535 \times 100}{21.1 \times 3.9}$$

$$\frac{385 \times 90}{15.2 \times 3.5}$$

$$\frac{320 \times 70}{12.6 \times 2.8}$$



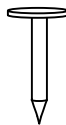
Nx46



Ox20



Px46



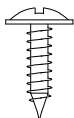
Qx52



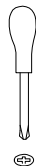
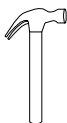
Rx3



Sx60

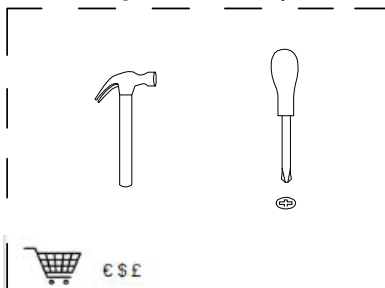


Tx3



mm
inch

x2



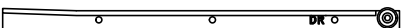
$\frac{400}{15.7}$
U-DRx3

$\frac{400}{15.7}$
U-DLx3

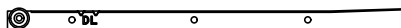


$\frac{400}{15.7}$
V-CRx3

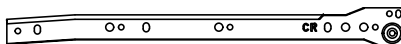
$\frac{400}{15.7}$
V-CLx3



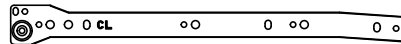
$\frac{350}{13.8}$
W-DRx1



$\frac{350}{13.8}$
W-DLx1

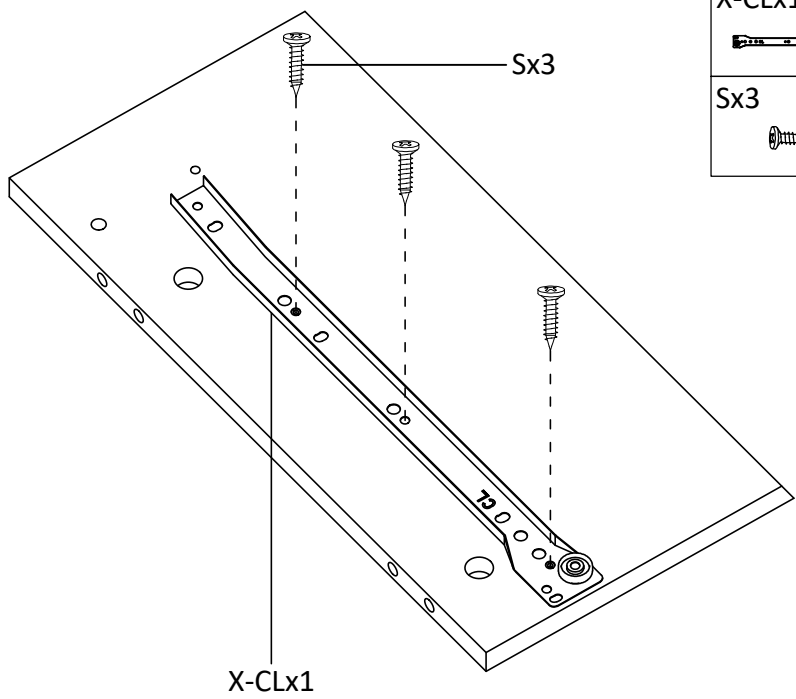


$\frac{350}{13.8}$
X-CRx1

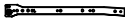


$\frac{350}{13.8}$
X-CLx1

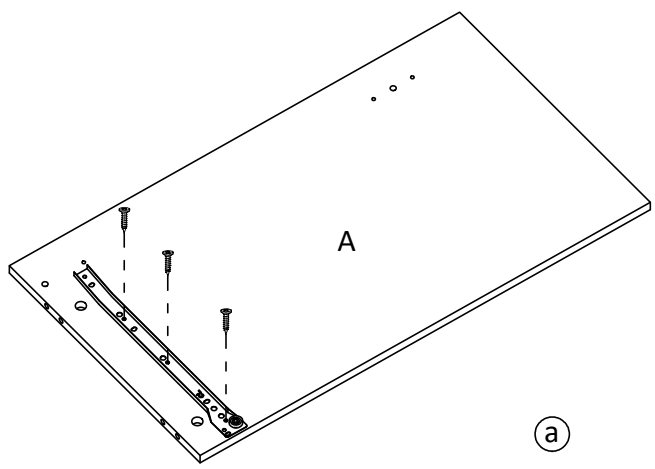

1



X-CLx1

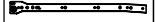


Sx3

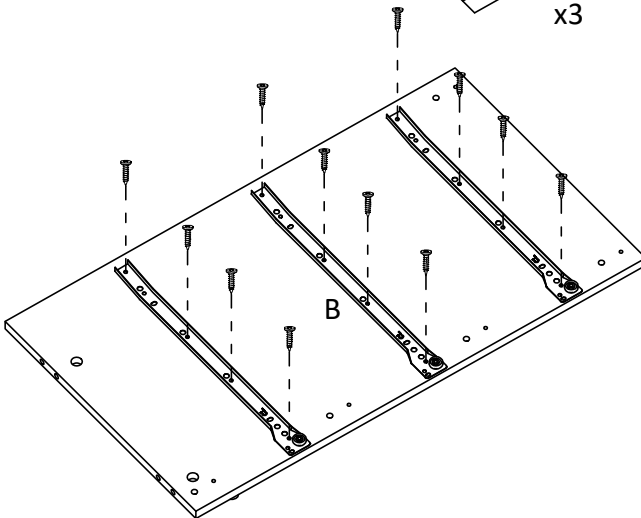
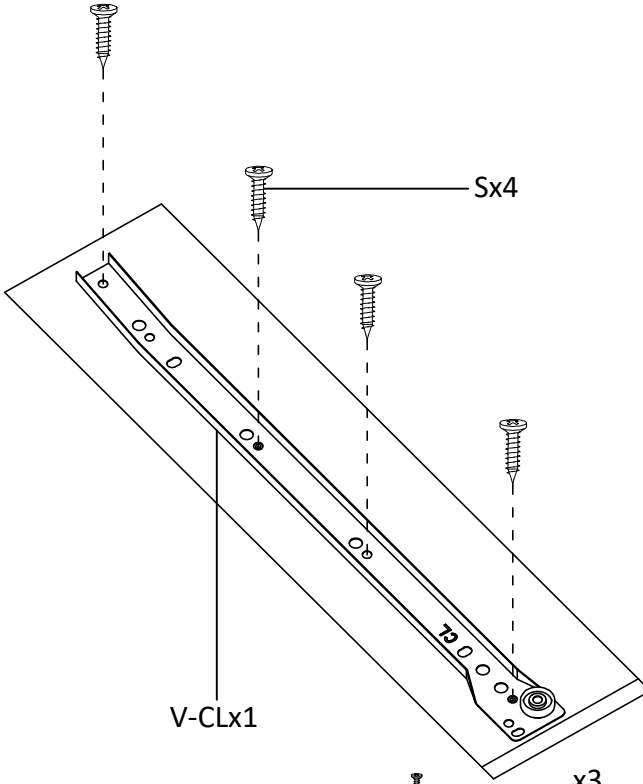


2

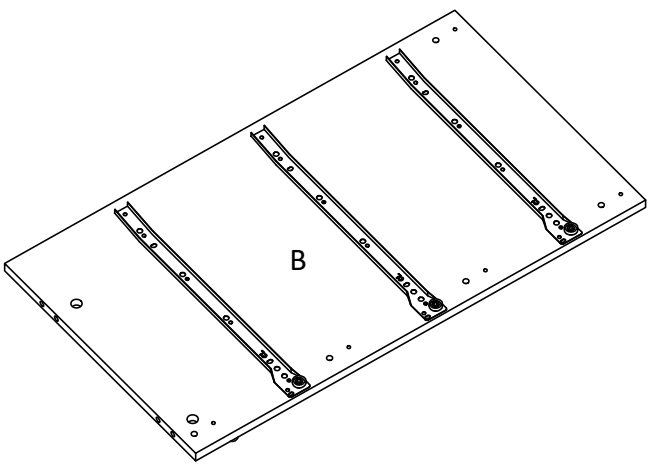
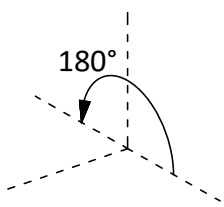
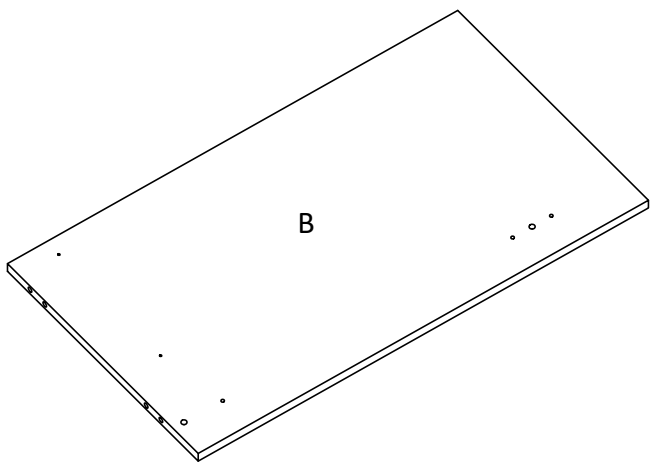
V-CLx3



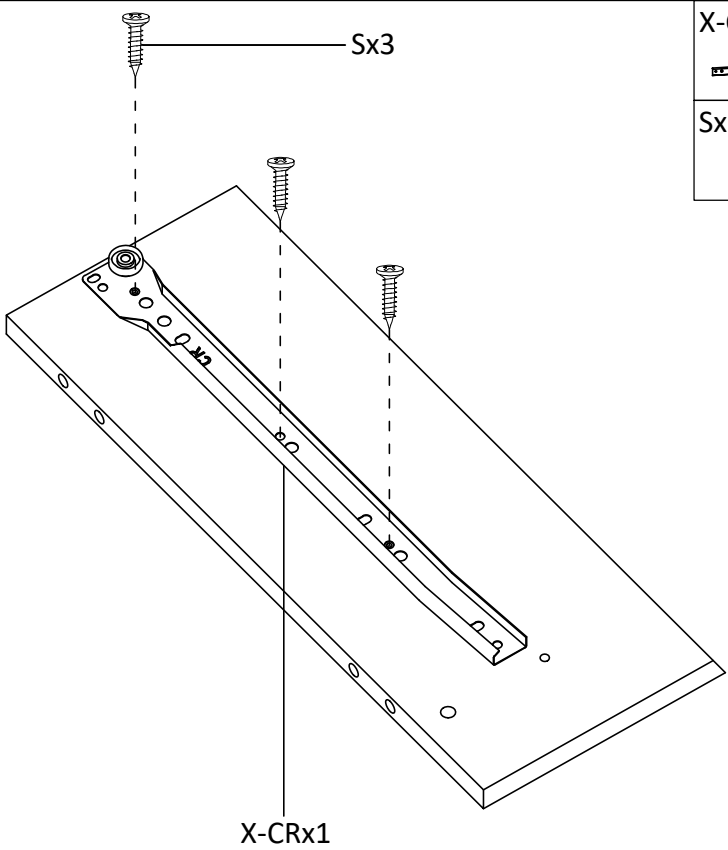
Sx12



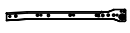
3



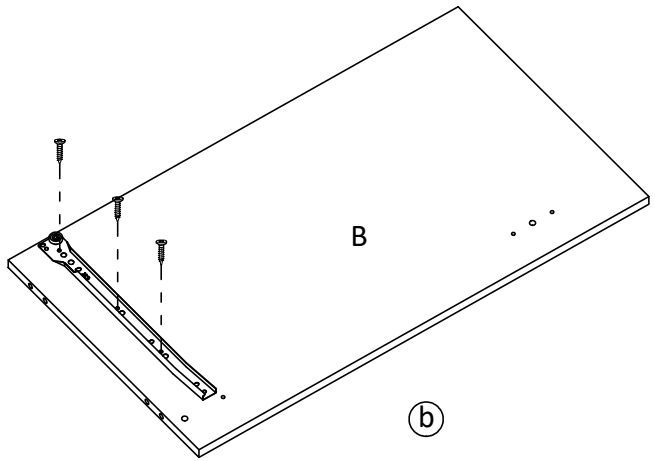

4



X-CRx1




Sx3



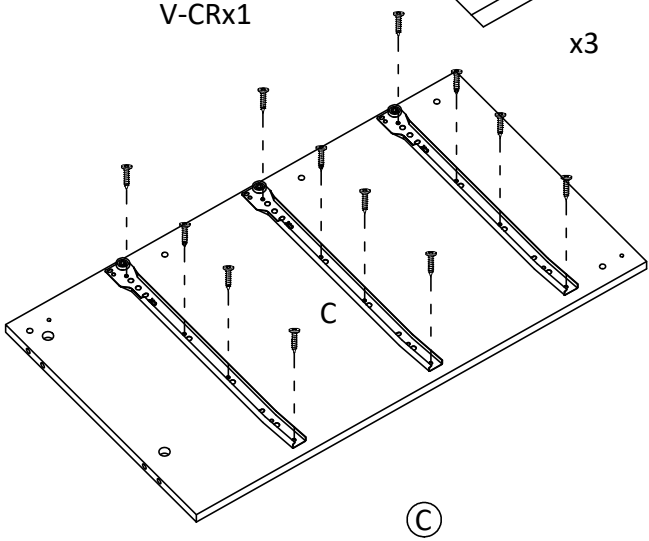
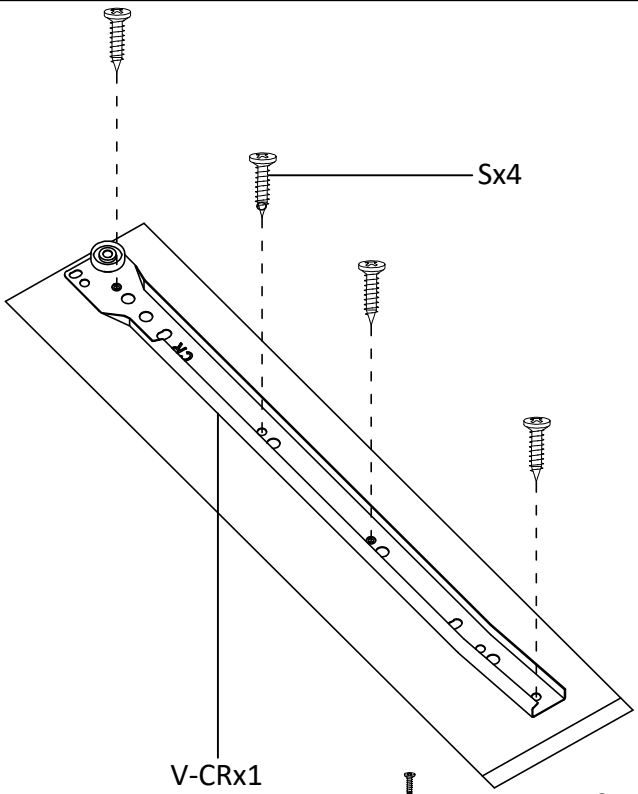

b

5



V-CRx3

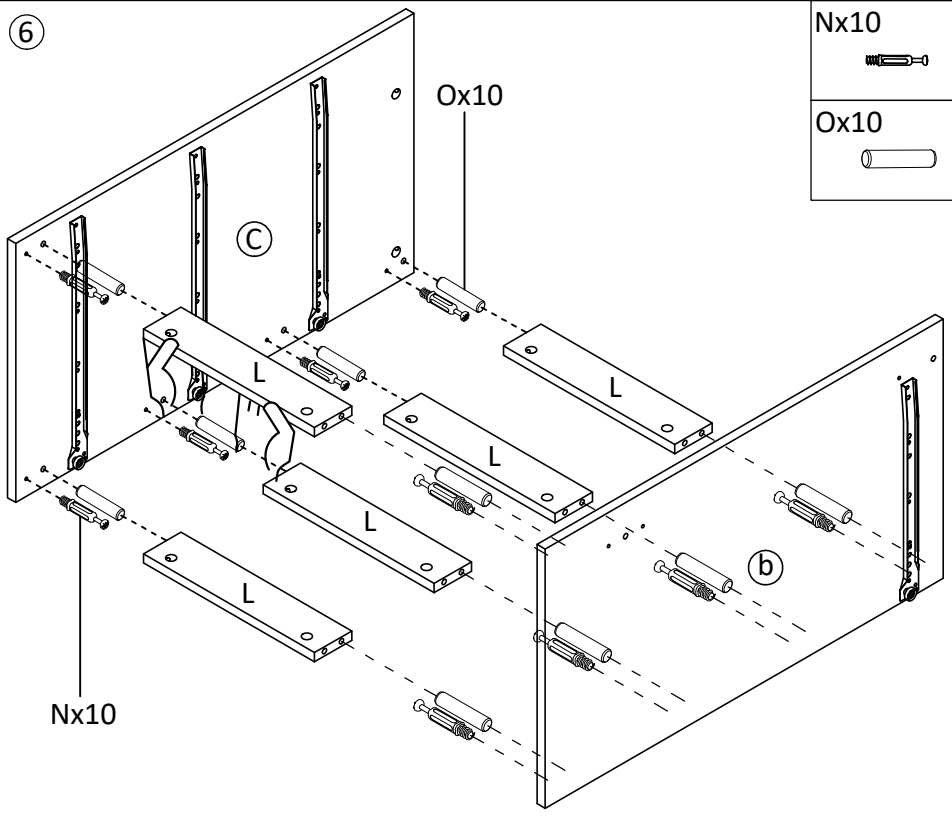


Sx12



6

Nx10	
Ox10	

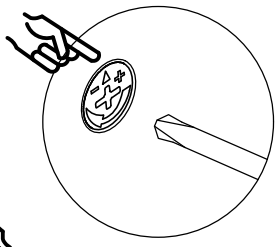
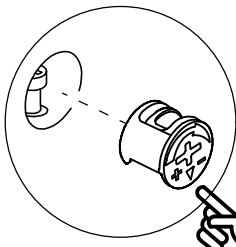


Nx10

Ox10

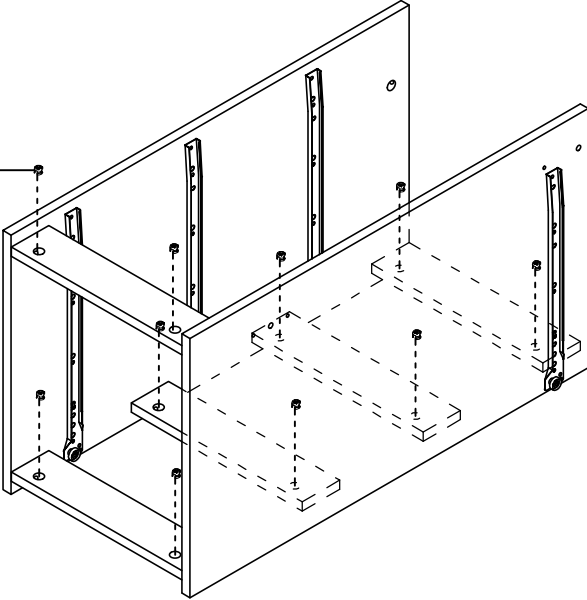
C

b



7

Px10

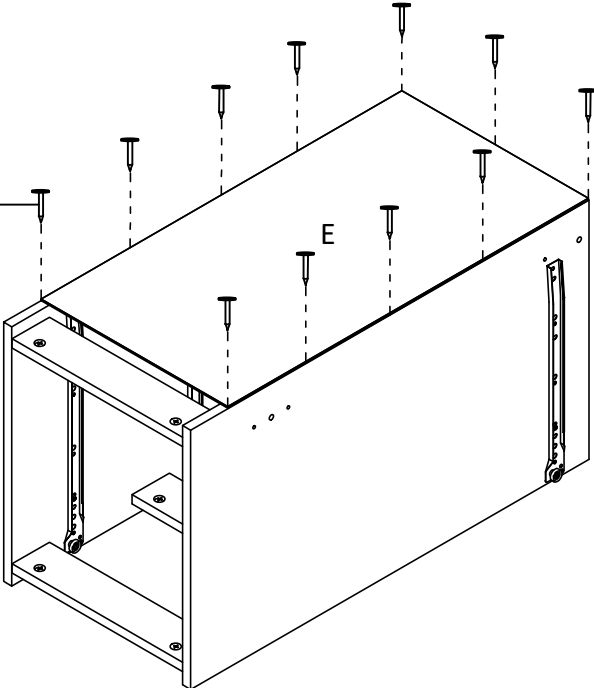


Px10



8

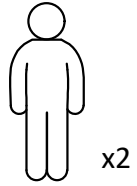
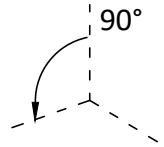
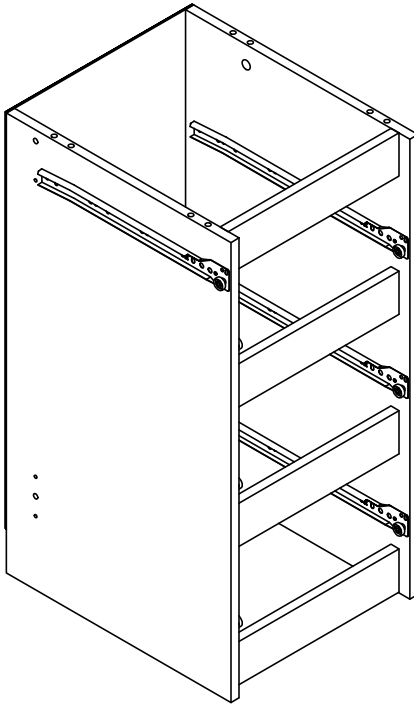
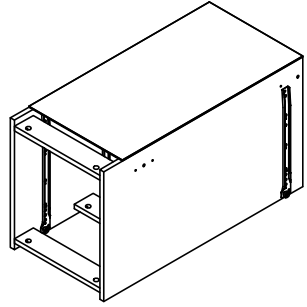
Qx22



Qx22



9

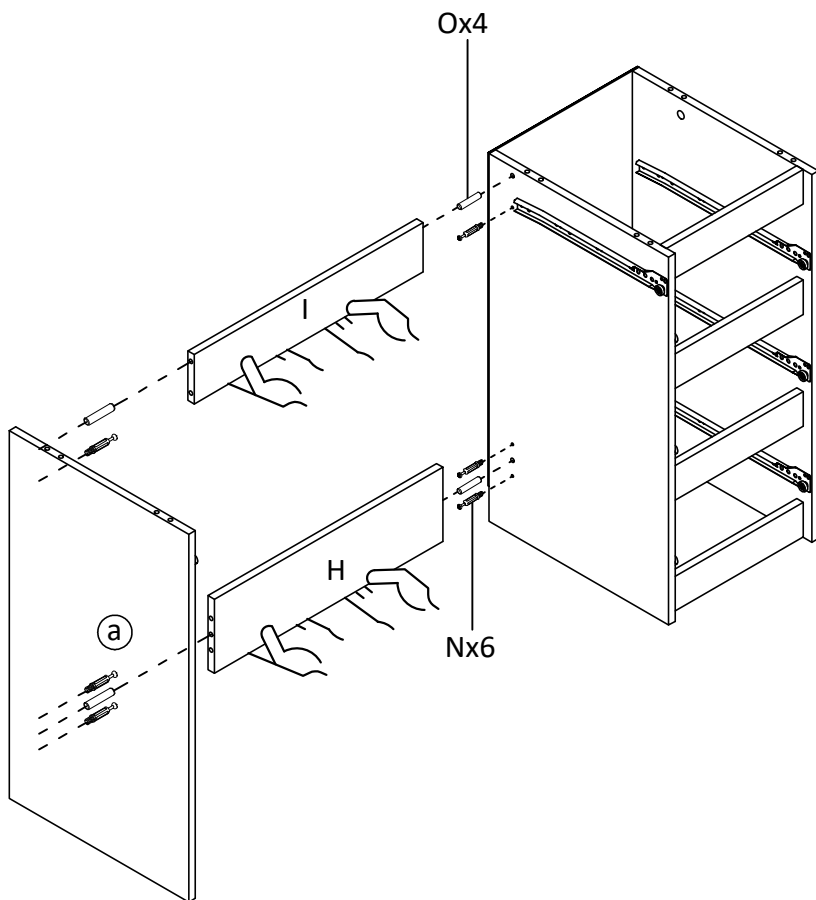


10

Nx6

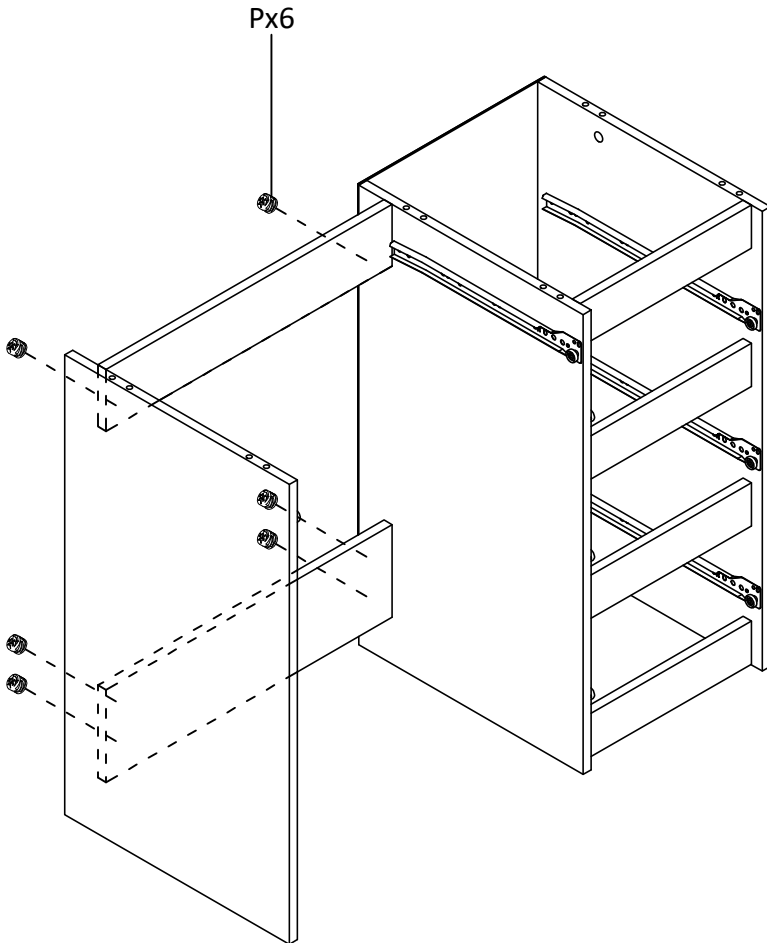


Ox4

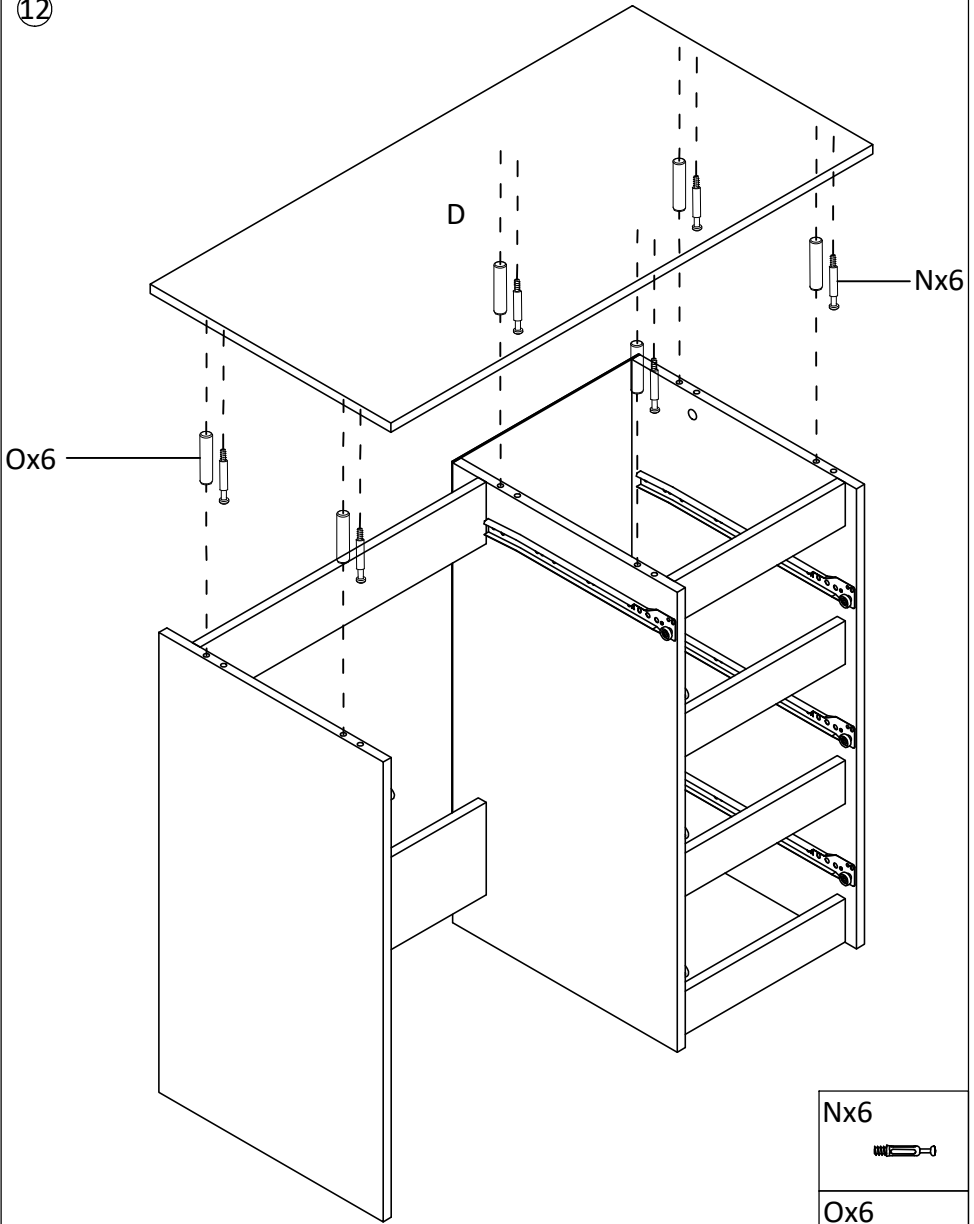


11

Px6



12



Nx6

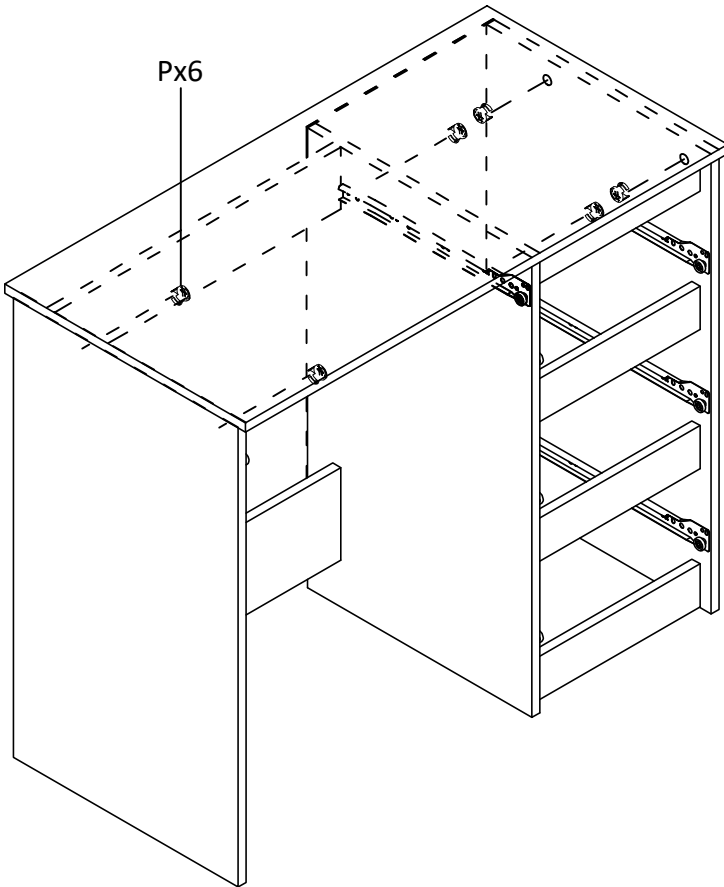


Ox6

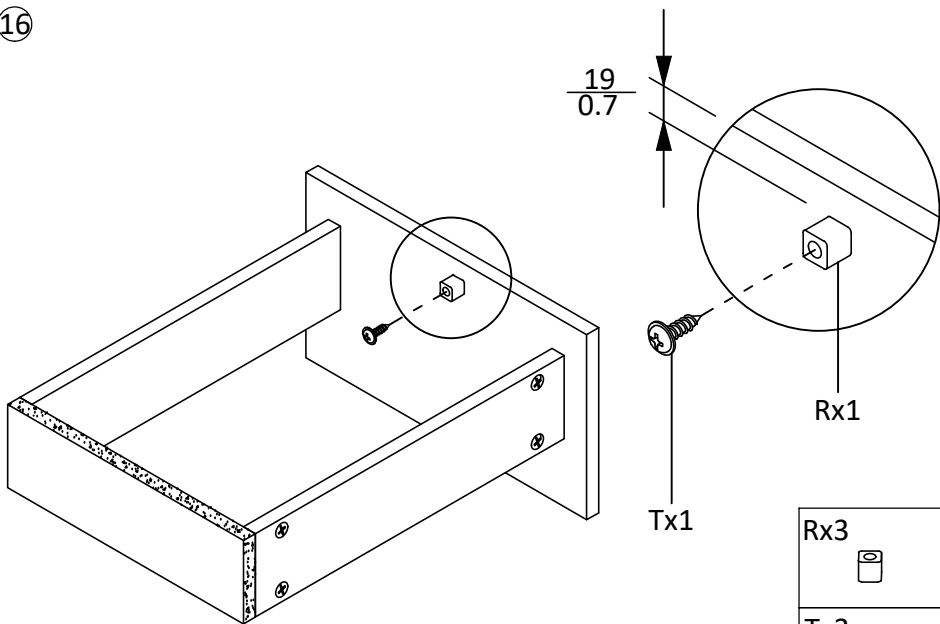


13

Px6



16



x3

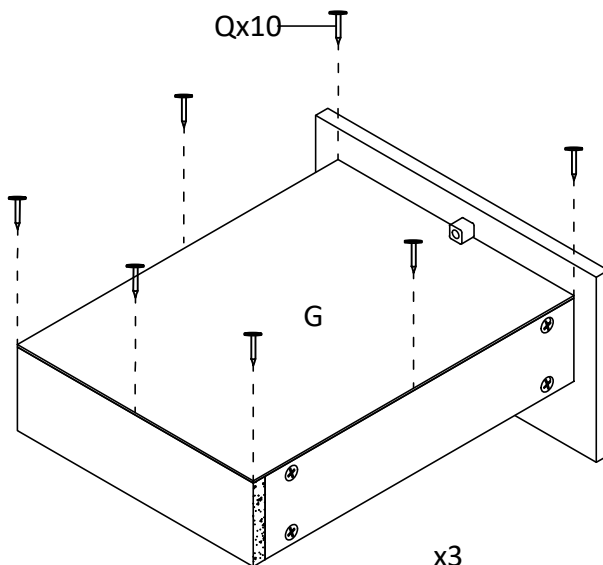
Rx3



Tx3



17



x3

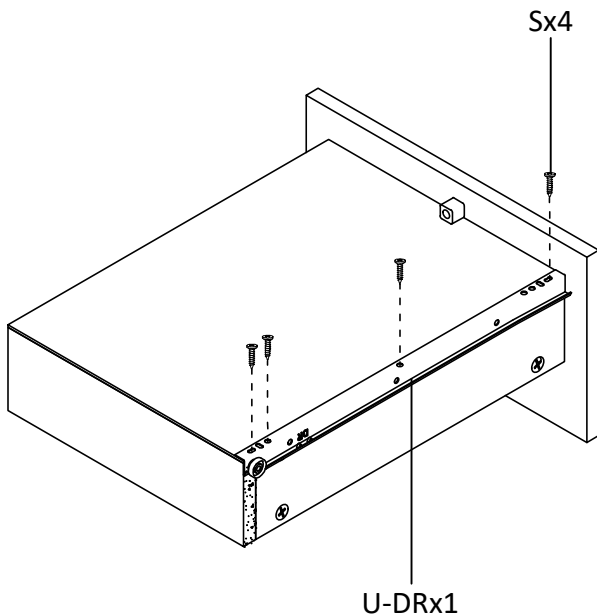
Qx10

G

Qx30



18

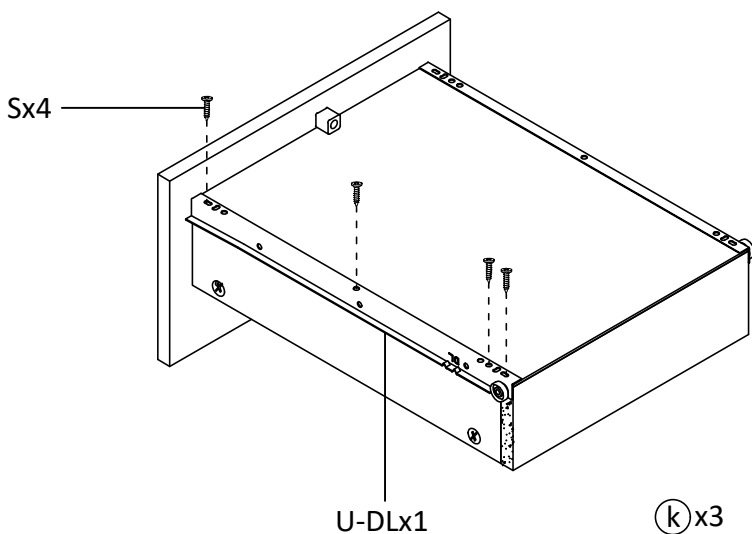


U-DRx3

Sx12



19



U-DLx3

Sx12

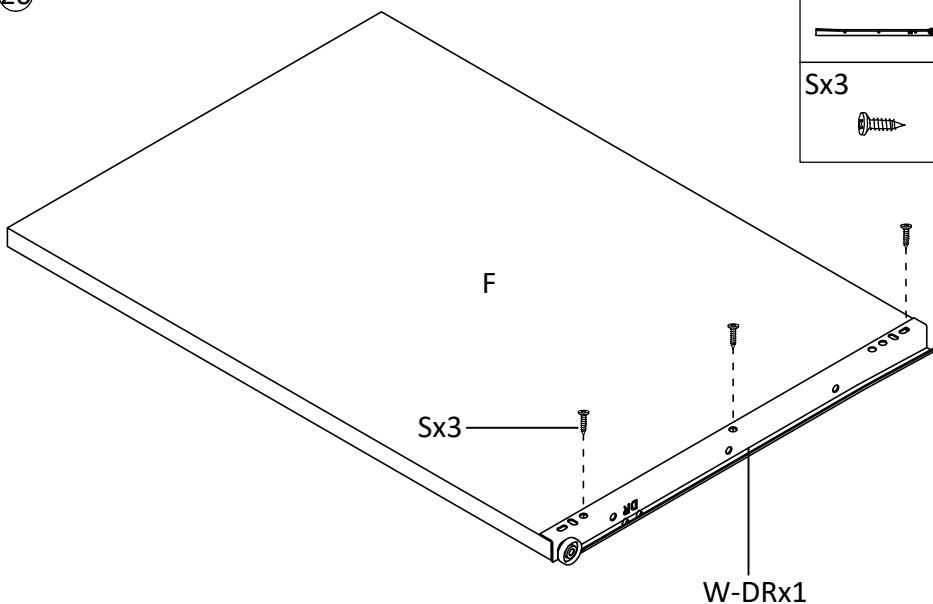


20

W-DRx1



Sx3

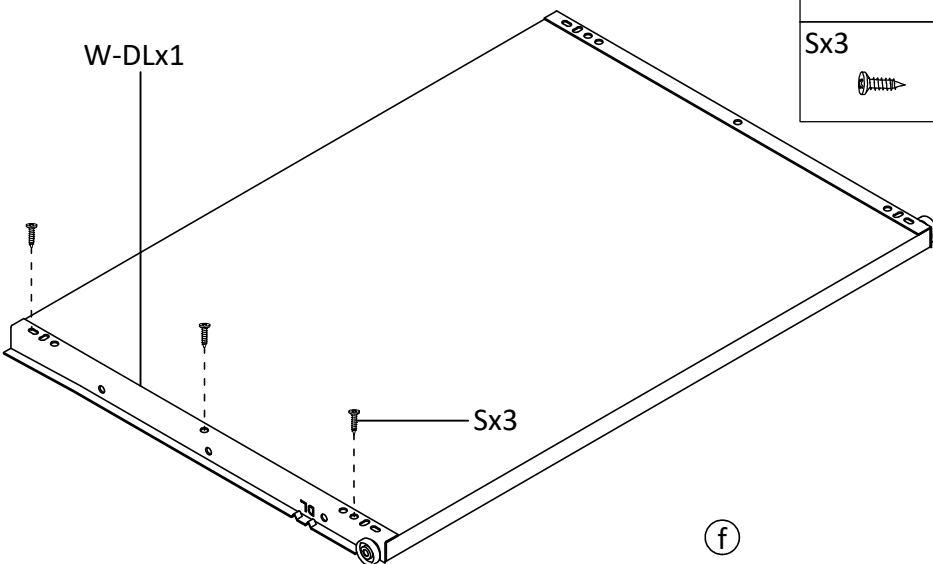


21

W-DLx1



Sx3



22

