

# CHANDELIER

Light Pendant  
Assembly Instructions  
Model: L8258-100GD



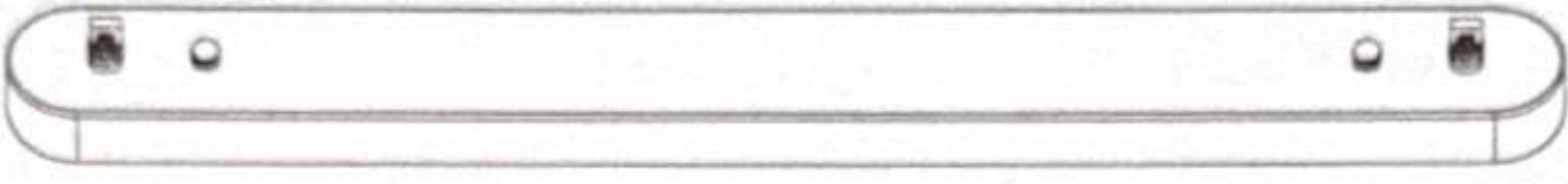

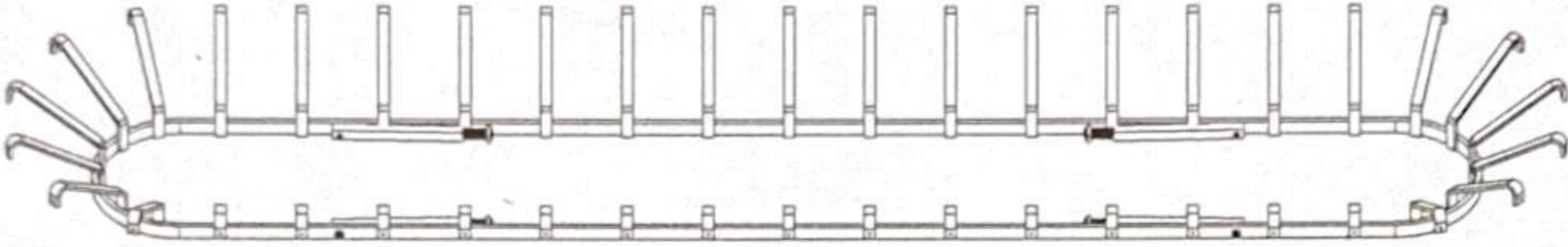
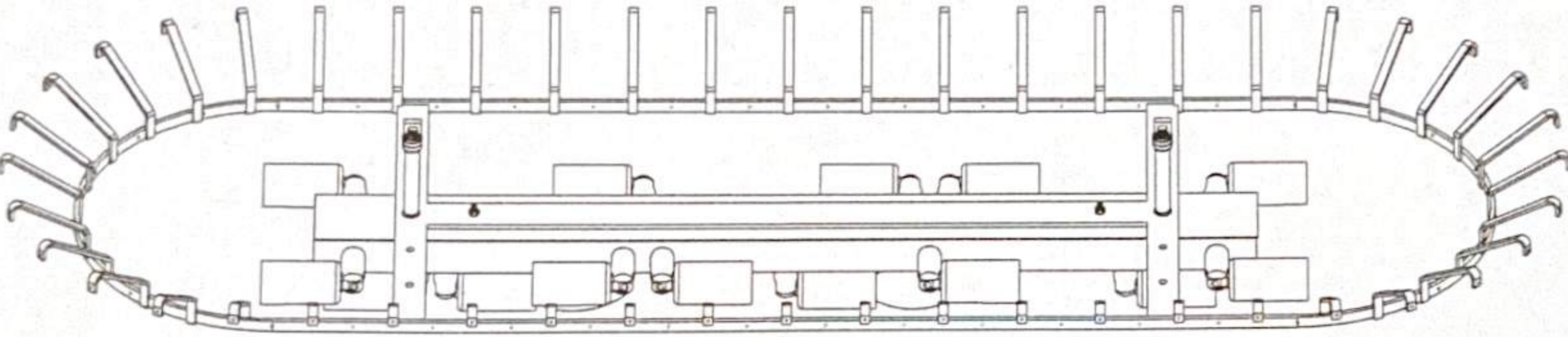
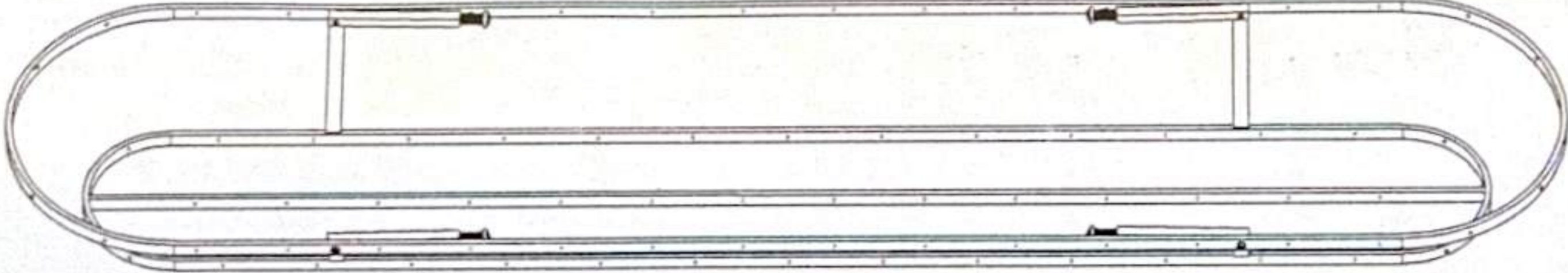
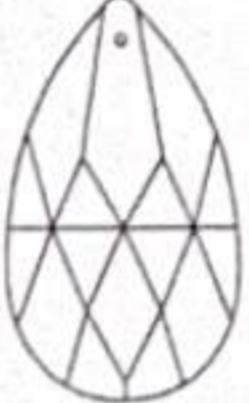
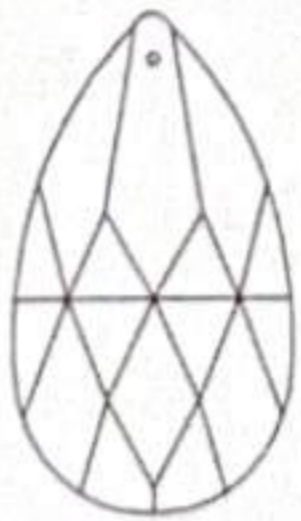


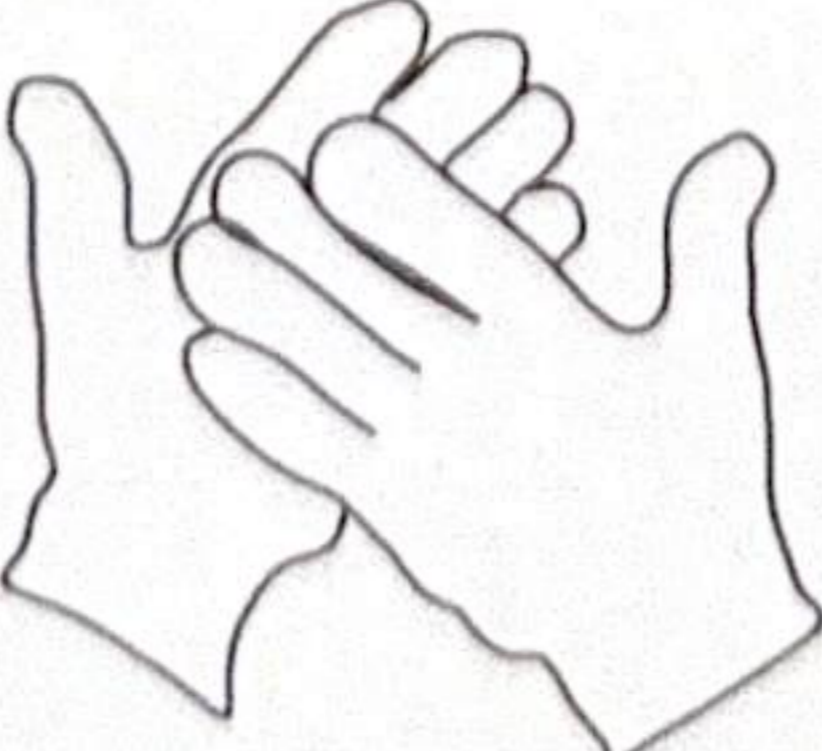
**CAUTION:** Read instruction carefully  
and turn electricity off at main circuit  
breaker panel

---

before beginning installation.  
Residential use only  
Indoor use only

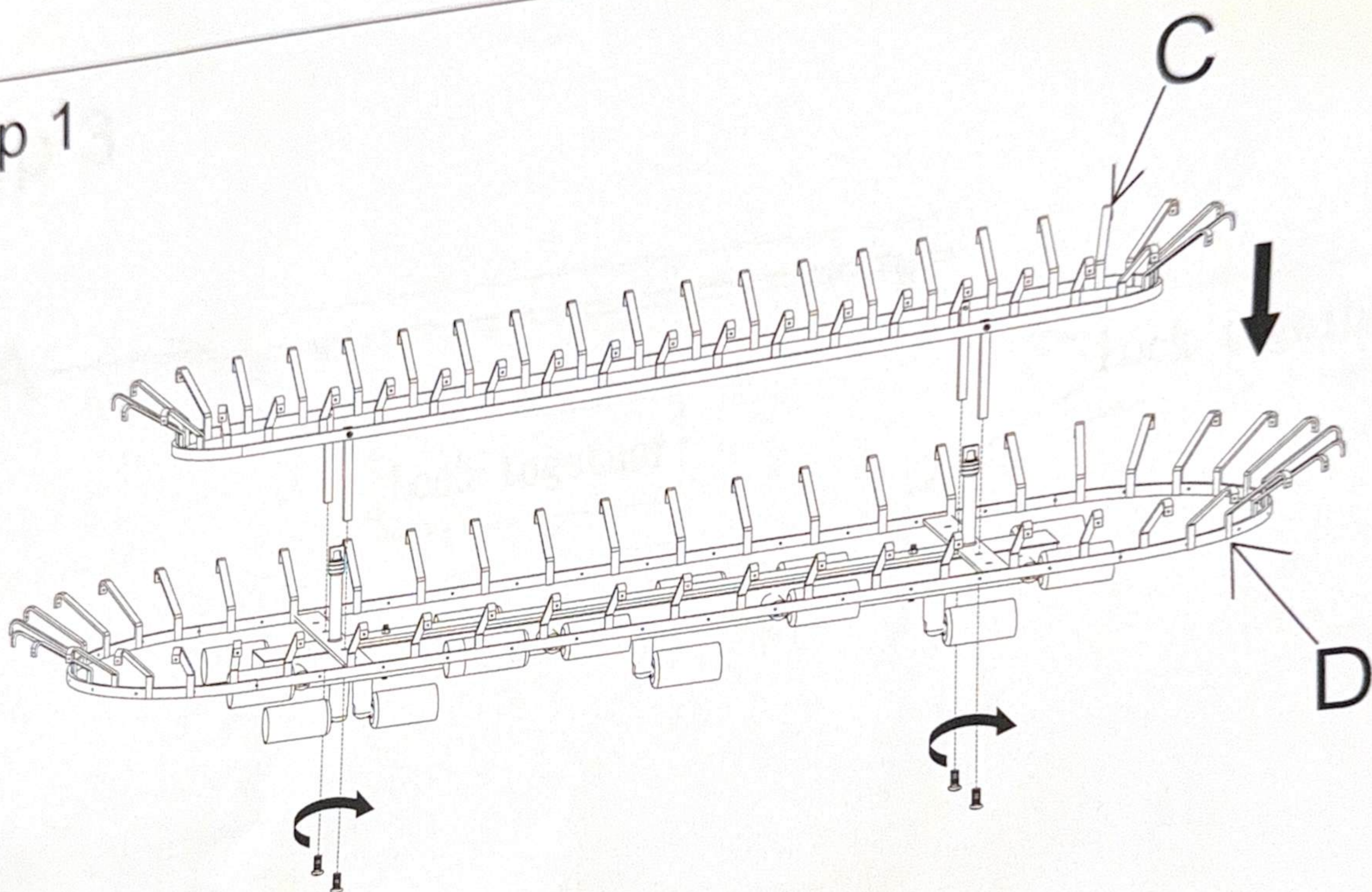
# The parts subsidiary

Care and Cleaning

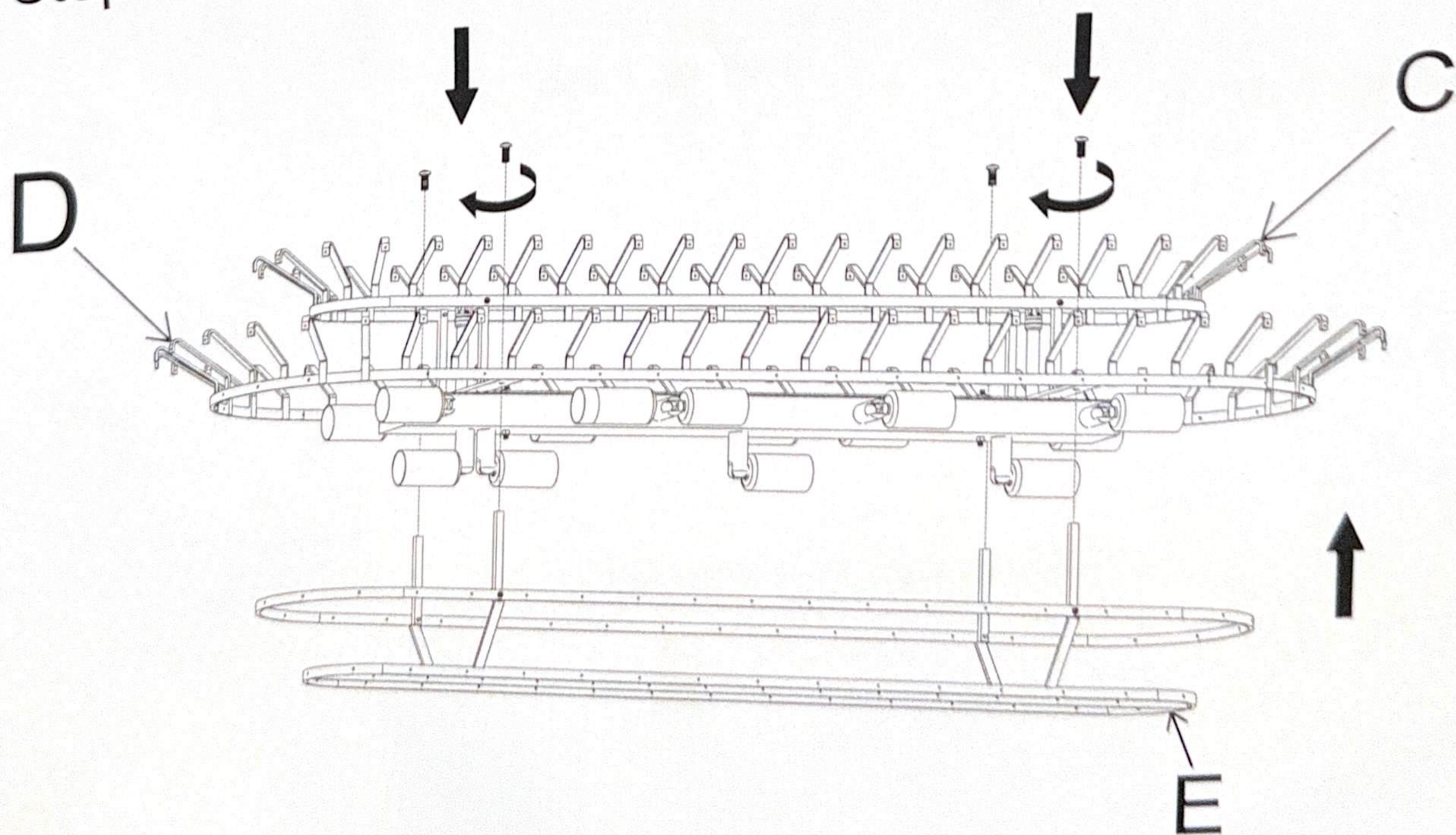
| STEP | PICTURE  | QUANTITY<br>(Pcs) |
|------|--|-------------------|
| A    |    | 1                 |
| B    |    | 2                 |
| C    |    | 1                 |
| D    |  | 1                 |
| E    |  | 1                 |
| F    |  | 63# 42            |
| G    |  | 76# 174           |
| H    |  | 216               |
| J    |  | 3                 |
| K    |  | 2                 |

# ASSEMBLY

Step 1

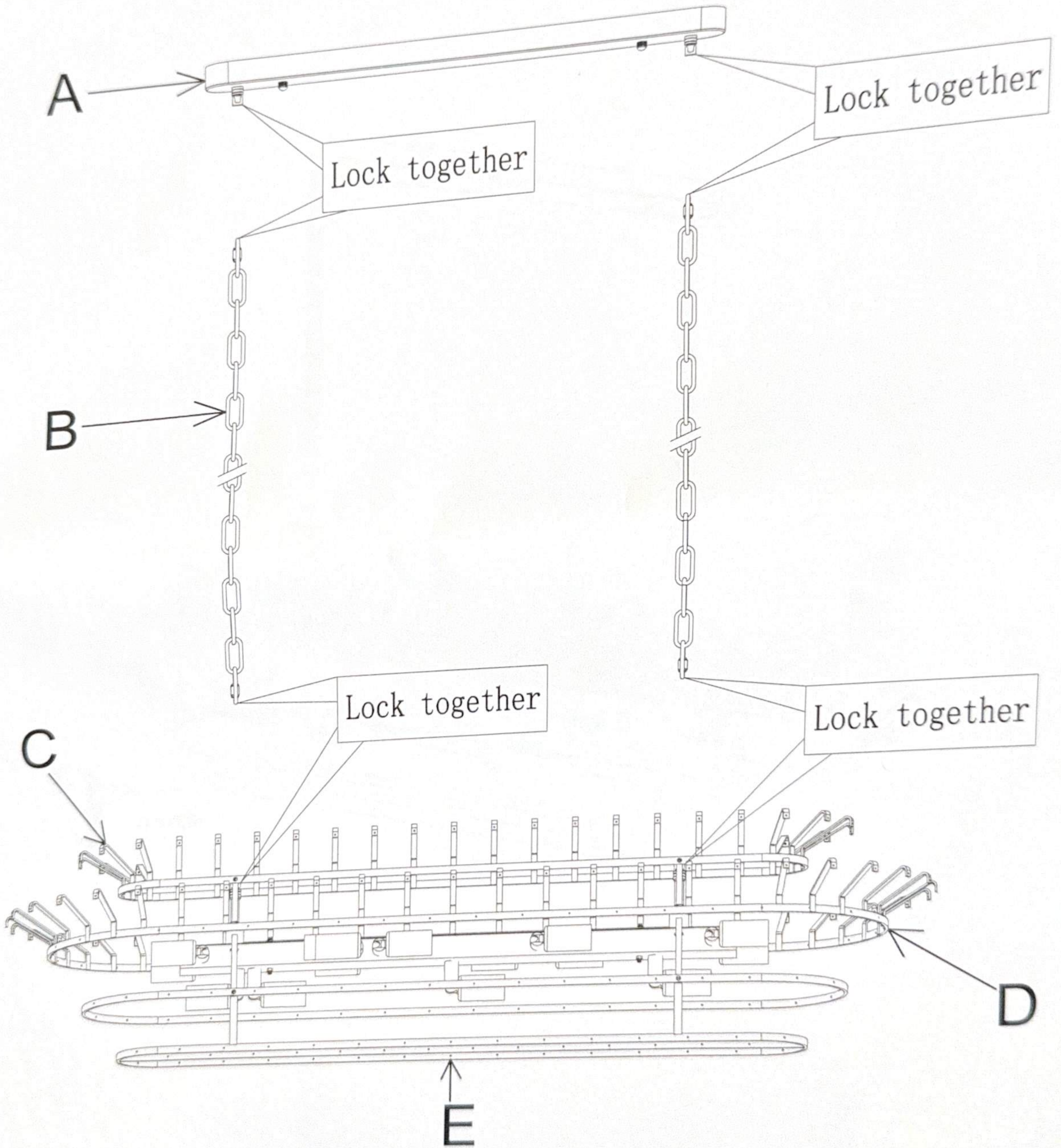


Step 2



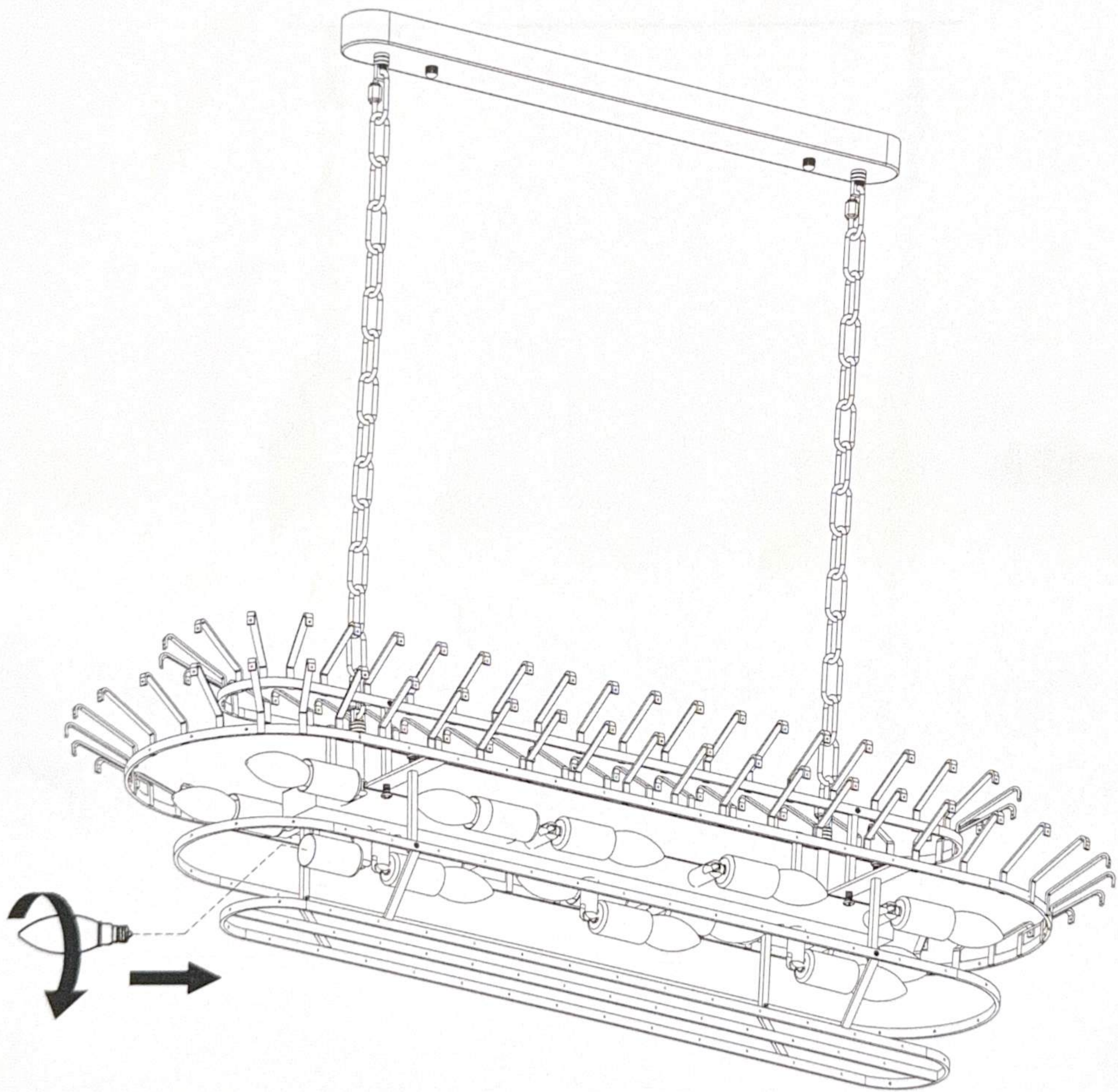
# ASSEMBLY

Step 3



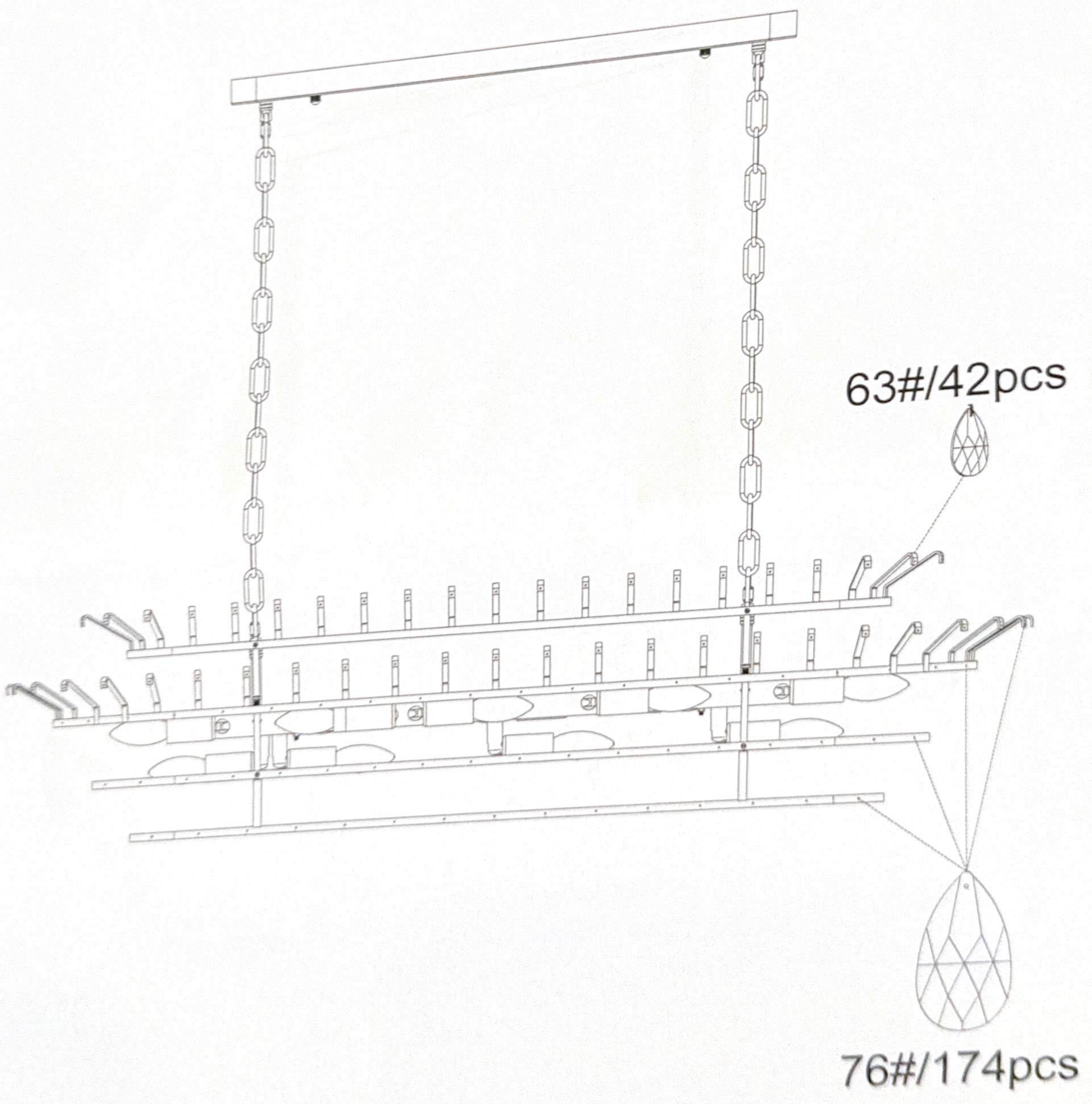
# ASSEMBLY

Step 4



# ASSEMBLY

Step 5



# ASSEMBLY

## Step 6

