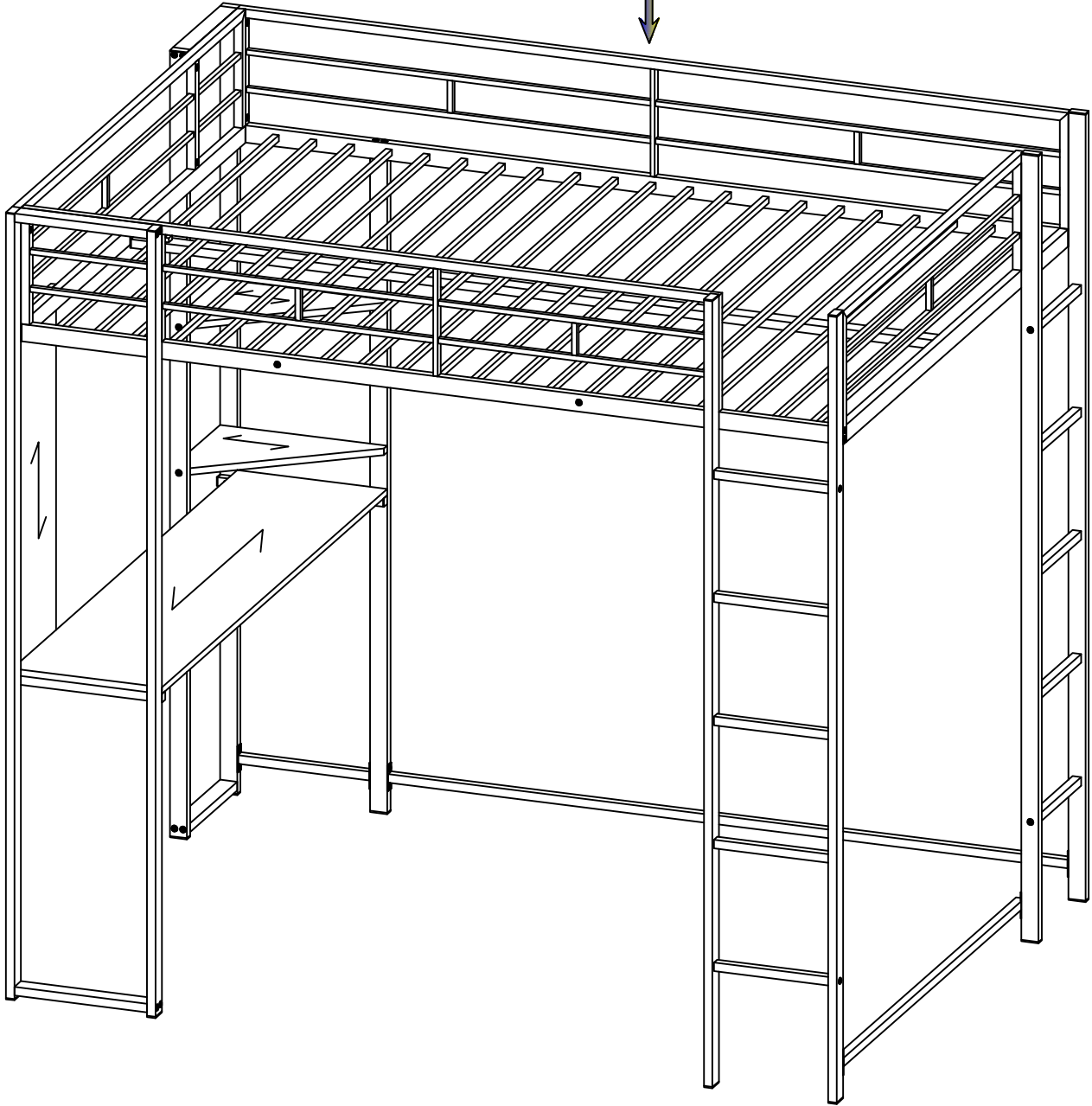


FULL LOFT BED
ASSEMBLY INSTRUCTIONS

Weight Limits
250 lbs



FULL LOFT BED
ASSEMBLY INSTRUCTIONS



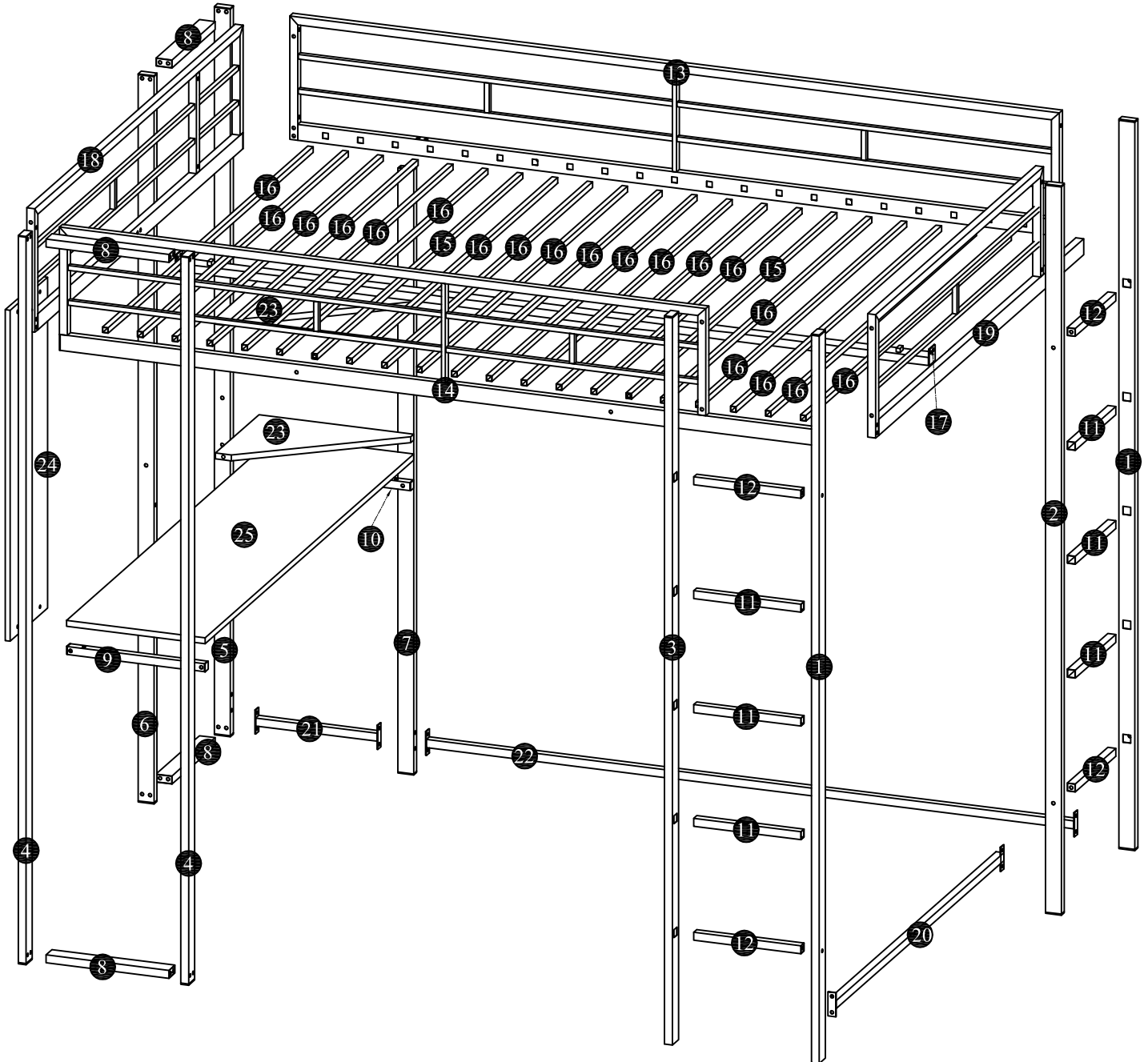
1. This bed is designed for use only mattress (es) meeting the following specifications on the upper bunk, and lower bunk:

Upper bunk (bunk bed and tribed included)

Bed type	Length	Width	Thickness
Full Standard	74" - 75"	53"-54"	6" max

2. Replacement parts, including additional guardrails, maybe obtained from any of our dealers.
3. Follow the information on the warnings appearing on the upper bunk bed end structure and on the carton. Do not remove warning label from bed.
4. Always use the recommended size mattresses or mattress supports, or both, to help prevent the likelihood of entrapment or falls.
5. Surface of mattress must be at least 5" (127mm) below the upper edge of guardrails.
6. Do not allow children under 6 years of age to use the upper bunk.
7. Periodically check and ensure that the guardrail, ladder, and other components are in their proper position, free from damage, and that all connectors are tight.
8. Do not allow horseplay on or under the bed and prohibit jumping on the bed.
9. Always use the ladder for entering and leaving the upper bunk.
10. Do not use substitute part. Contact the manufacture or dealer for replacement part.
11. Use of a night light may provide added safety precaution for a child using the upper bunk.
12. Always use guardrails on both long sides of the upper bunk. If the bunk bed will be placed next to the wall, the guardrail that runs the full length of the bed should be placed against the wall to prevent entrapment between the bed and wall.
13. The use of water or sleep flotation mattresses is prohibited.
14. **STRANGULATION HAZARD** - Never attach or hang items to any part of the bunk bed that are not designed for use with the bed; for example, but not limited to, hook, belts and jump ropes.
15. Keep these instruction for future reference.
16. Prohibit more than one person on upper bunk
17. We recommend assembling your bunk bed on the shipping carton to protect your floor or carpet.
18. Be certain all staples are out of the box before beginning assembly on the shipping carton.

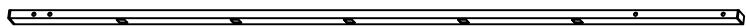
FULL LOFT BED
ASSEMBLY INSTRUCTIONS



BUNK-BED
ASSEMBLY INSTRUCTIONS

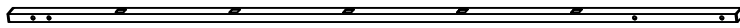
PART LIST

1



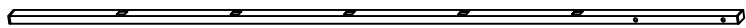
2 PCS

2



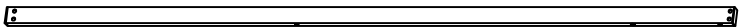
1 PC

3



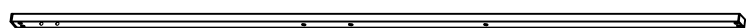
1 PC

4



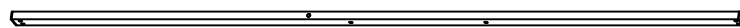
2 PCS

5



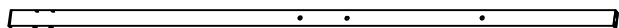
1 PC

6



1 PC

7



1 PC

8



4 PCS

9



1 PC

10



1 PC

11



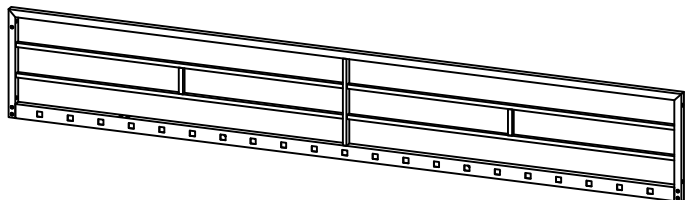
6 PCS

12



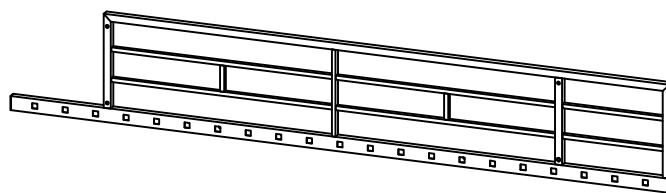
4 PCS

13



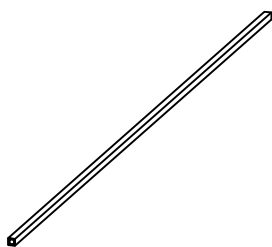
1 PC

14



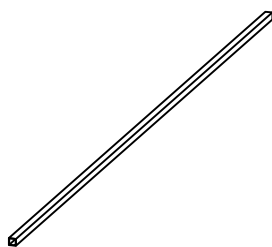
1 PC

15



2 PCS

16



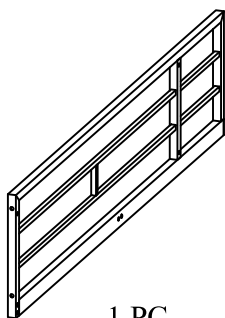
19 PCS

17



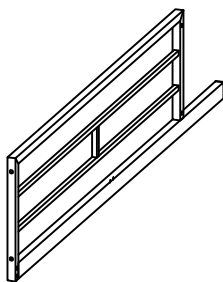
1 PC

18



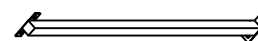
1 PC

19



1 PC


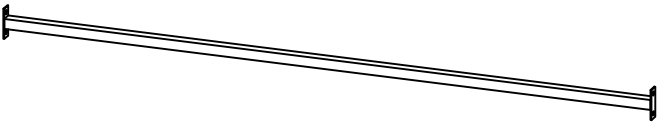
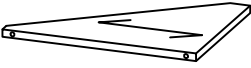
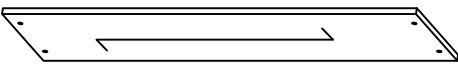
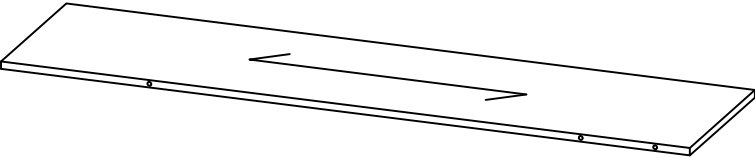
20





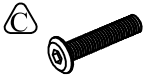





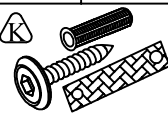
1 PC

FULL LOFT BED
ASSEMBLY INSTRUCTIONS

PART LIST

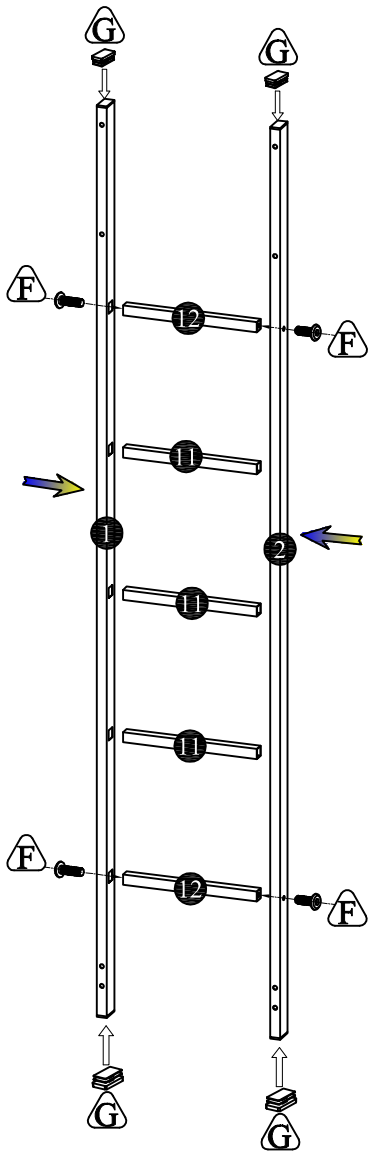
 <p>21</p> <p>1 PC</p>	 <p>22</p> <p>1 PC</p>	
 <p>23</p> <p>2 PCS</p>	 <p>24</p> <p>1 PC</p>	 <p>25</p> <p>1 PC</p>

HARDWARE LIST

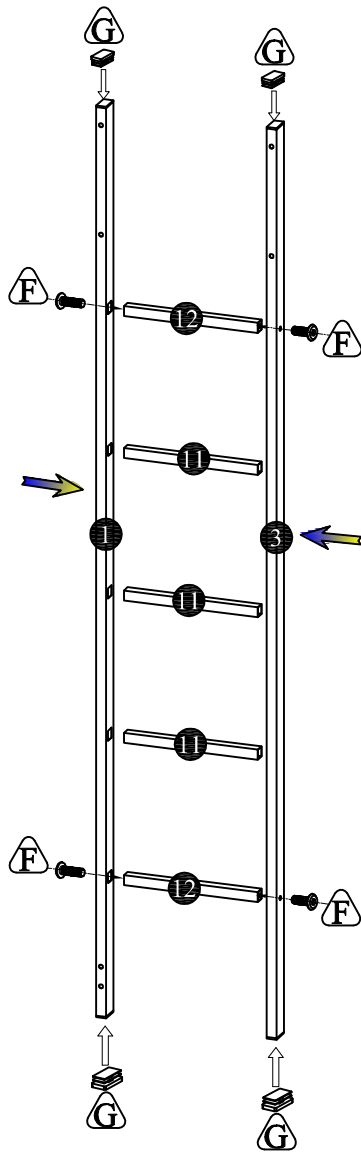
 <p>A</p> <p>1/4"*60 2 PCS</p>	 <p>B</p> <p>1/4"*50 1 PCS</p>	 <p>C</p> <p>1/4"*40 42 PCS</p>	 <p>D</p> <p>1/4"*30 14 PCS</p>	 <p>E</p> <p>1/4"*25 4 PCS</p>	 <p>F</p> <p>1/4"*15 28 PCS</p>	 <p>G</p> <p>20*40x10 13 PCS</p>	 <p>H</p> <p>4x60 2PCS</p>
 <p>K</p> <p>1/4"*40 2 SET</p>							

FULL LOFT BED ASSEMBLY INSTRUCTIONS

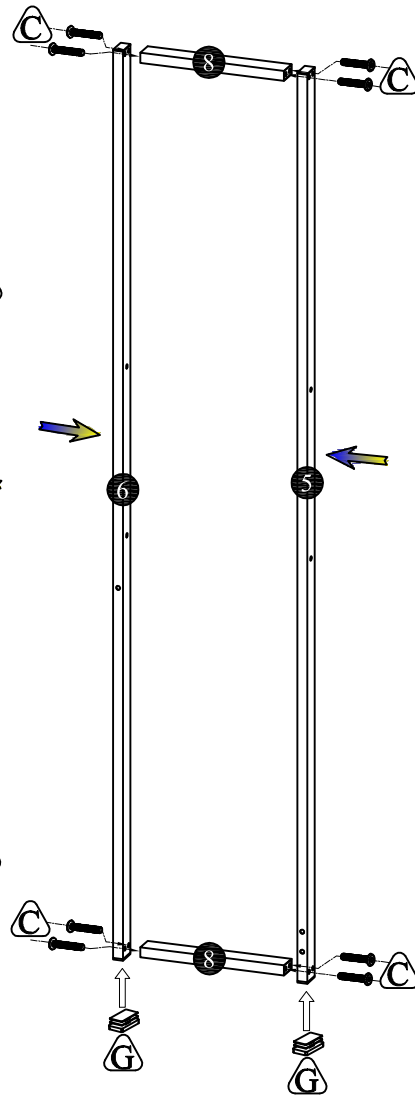
STEP 1



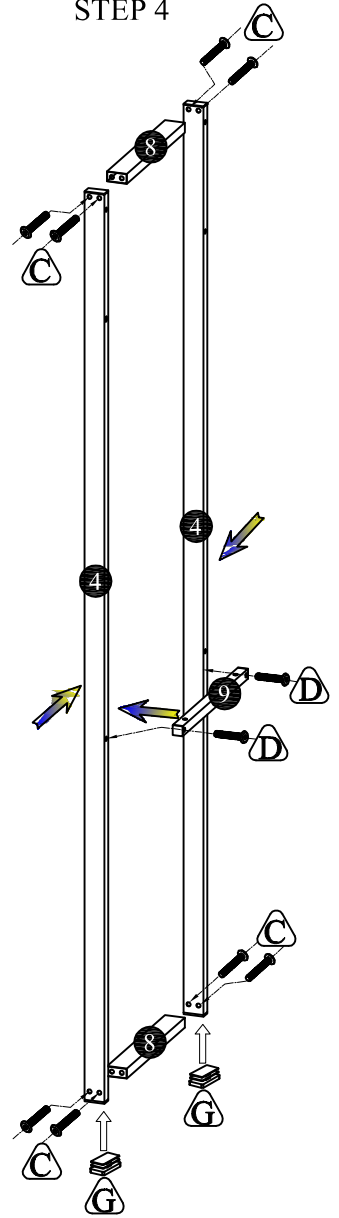
STEP 2

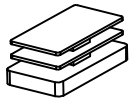


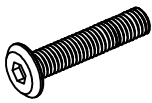
STEP 3

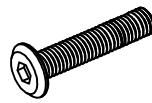


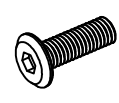
STEP 4

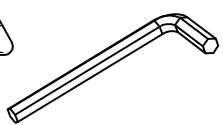


G 
20*40x10
12 PCS

C 
1/4"*40
16 PCS

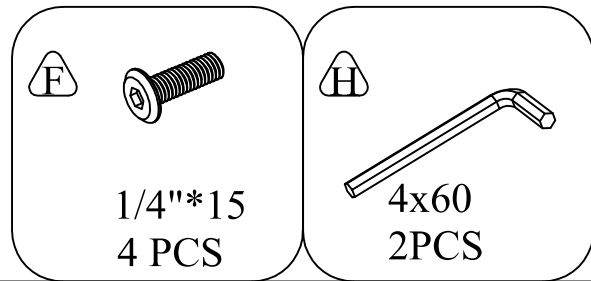
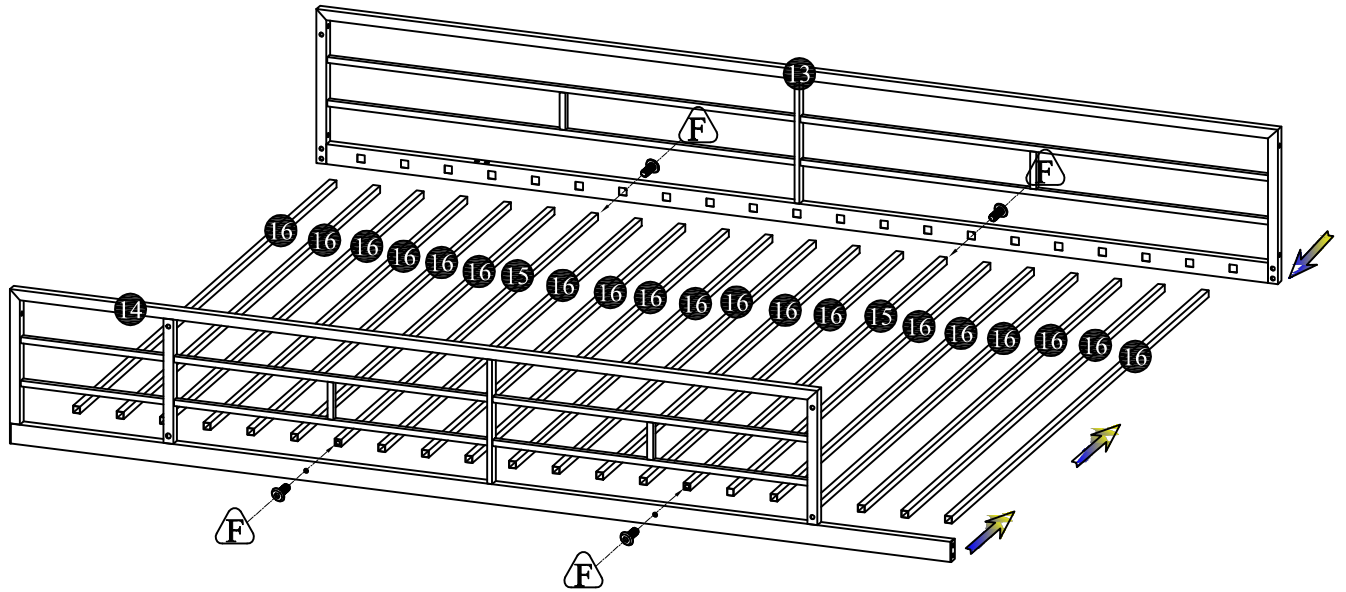
D 
1/4"*30
2 PCS

F 
1/4"*15
8 PCS

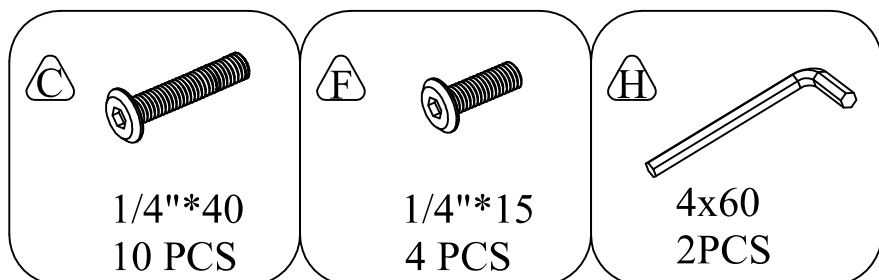
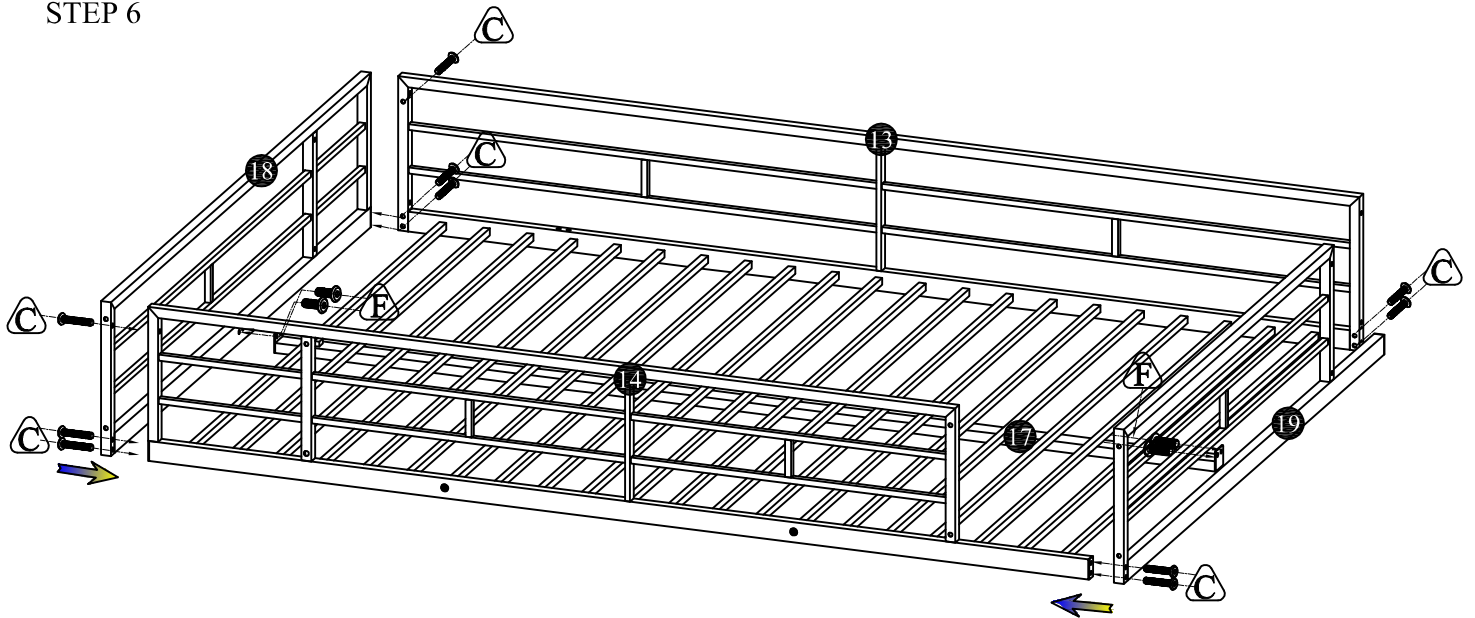
H 
4x60
2PCS

FULL LOFT BED
ASSEMBLY INSTRUCTIONS

STEP 5

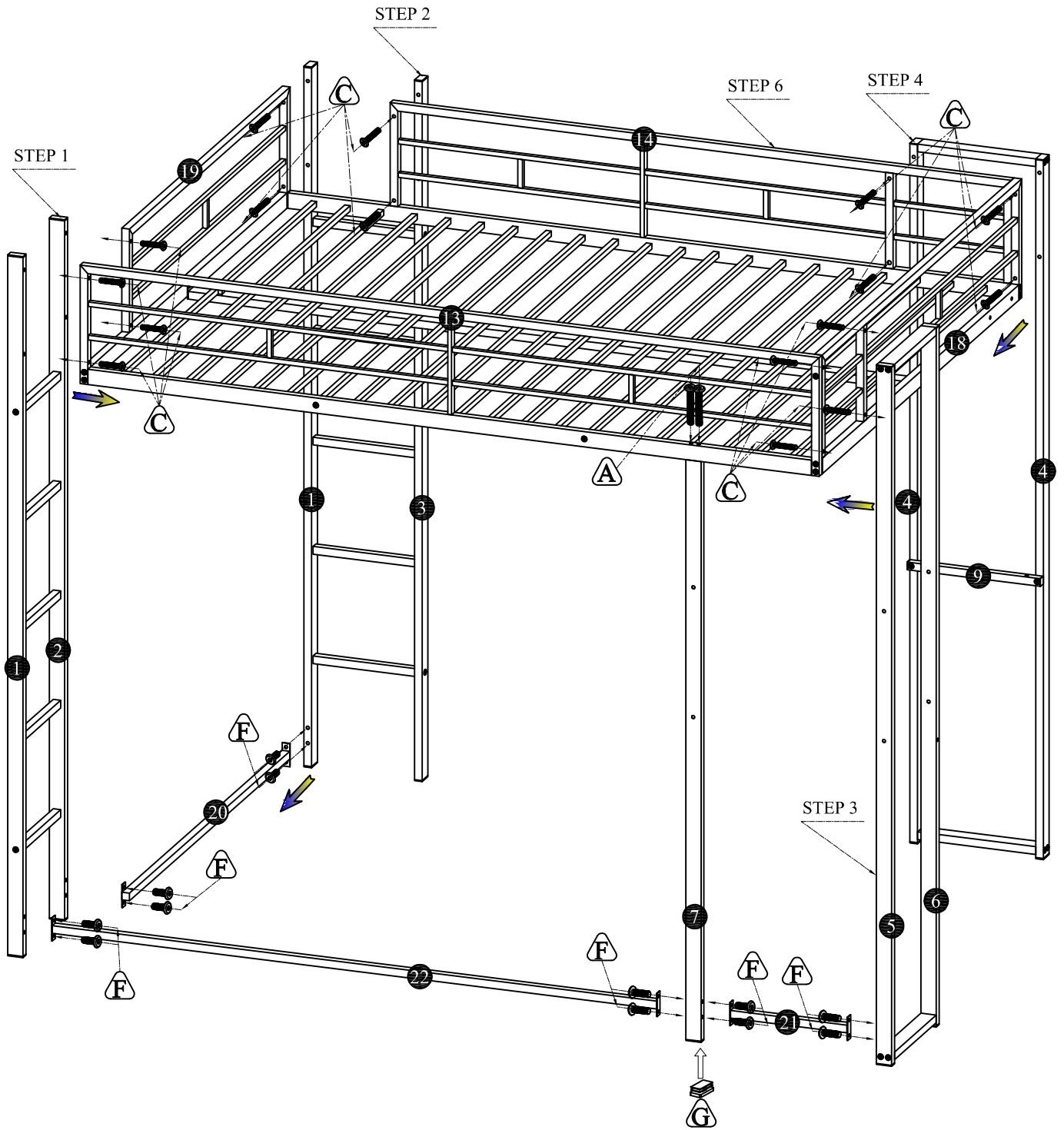



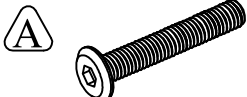

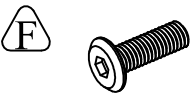
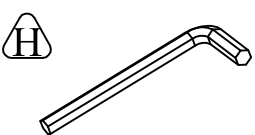
STEP 6



FULL LOFT BED ASSEMBLY INSTRUCTIONS

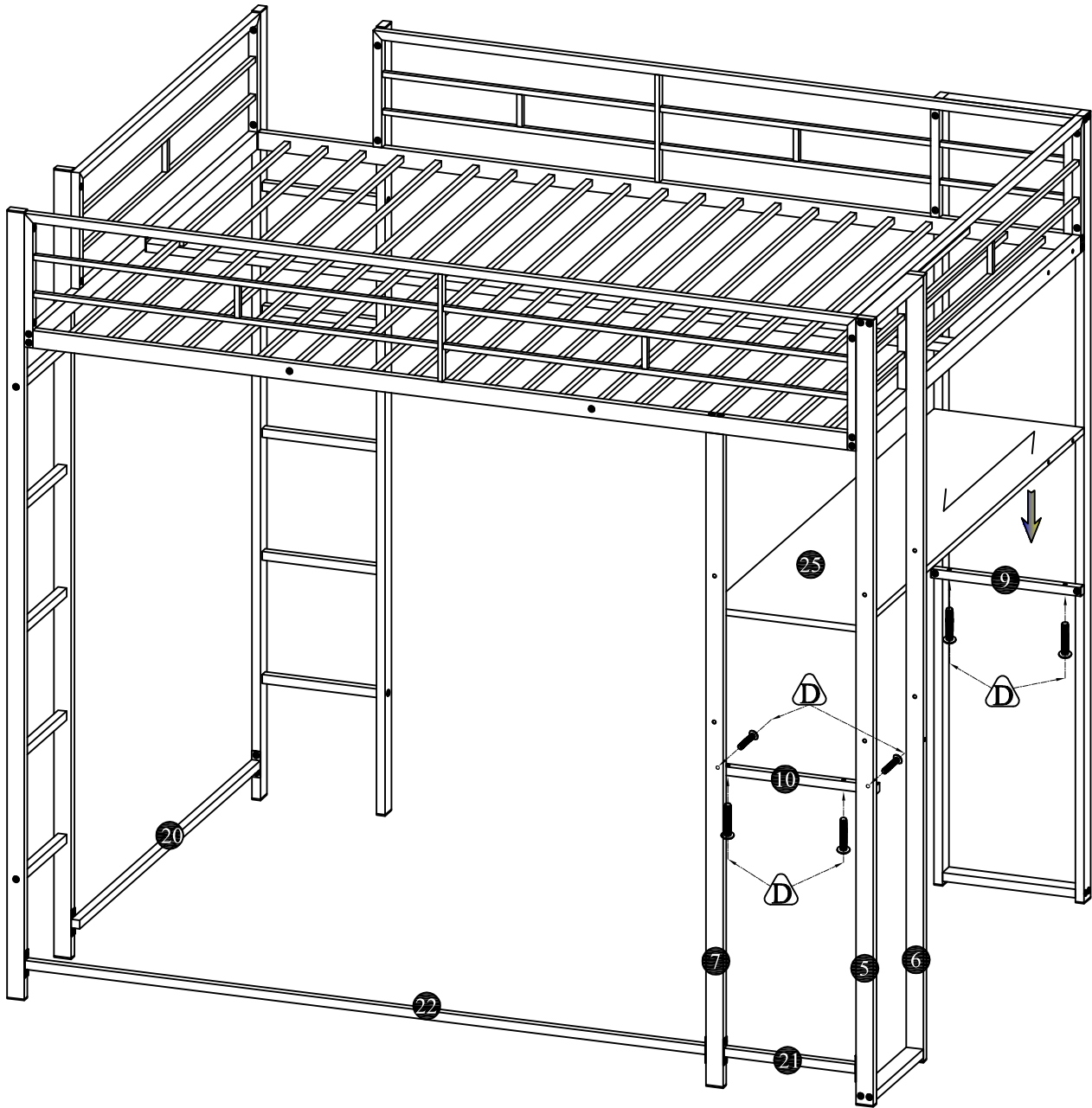
STEP 7


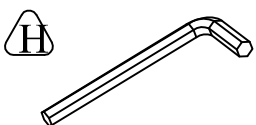


- | | | | | |
|--|---|--|--|---|
|  <p>G
20*40x10
1 PCS</p> |  <p>A
1/4"*60
2 PCS</p> |  <p>C
1/4"*40
16 PCS</p> |  <p>F
1/4"*15
12 PCS</p> |  <p>H
4x60
2PCS</p> |
|--|---|--|--|---|

FULL LOFT BED
ASSEMBLY INSTRUCTIONS

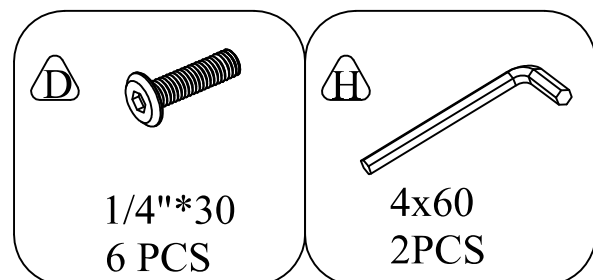
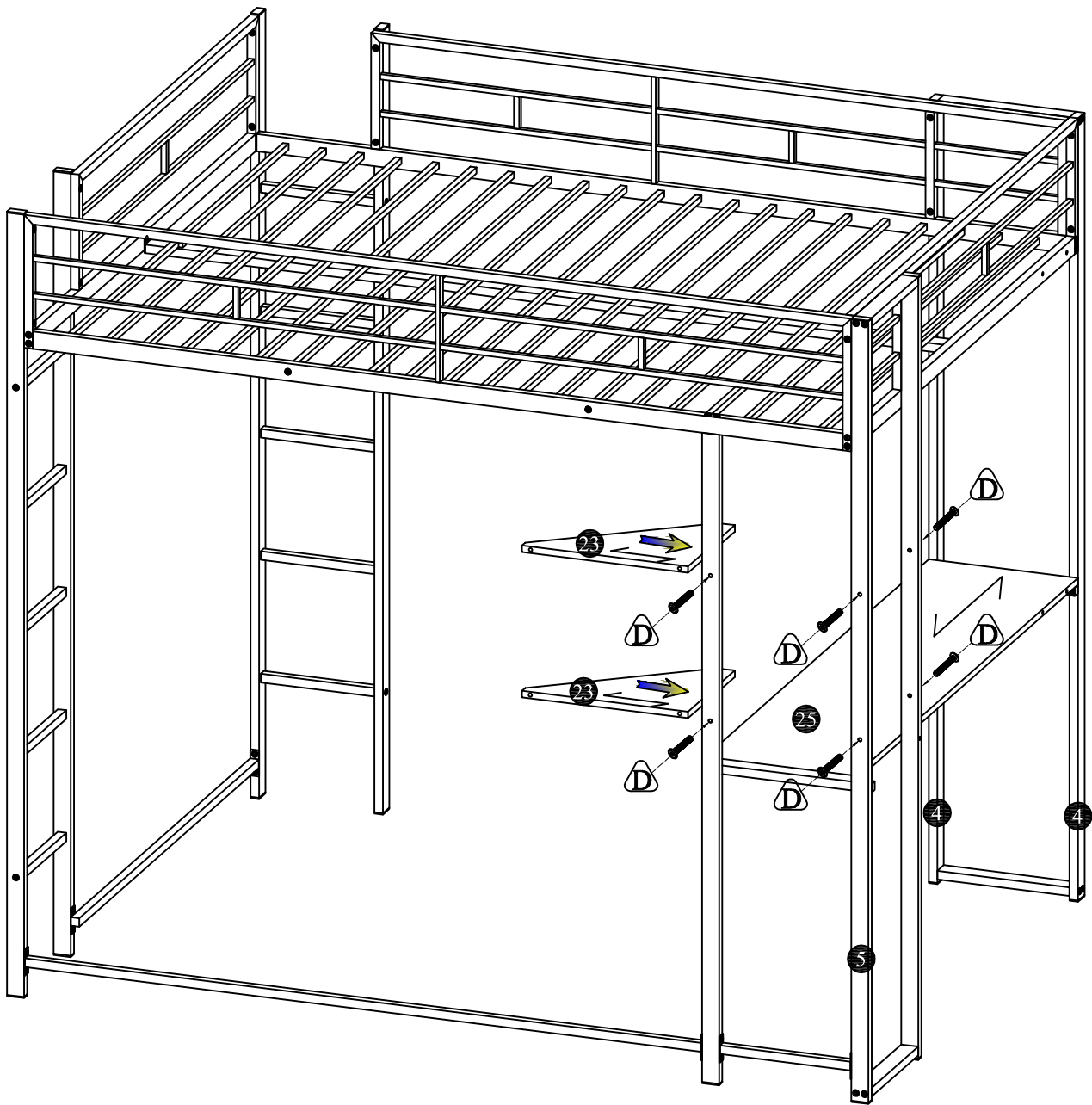
STEP 8



	
1/4"*30 6 PCS	4x60 2PCS

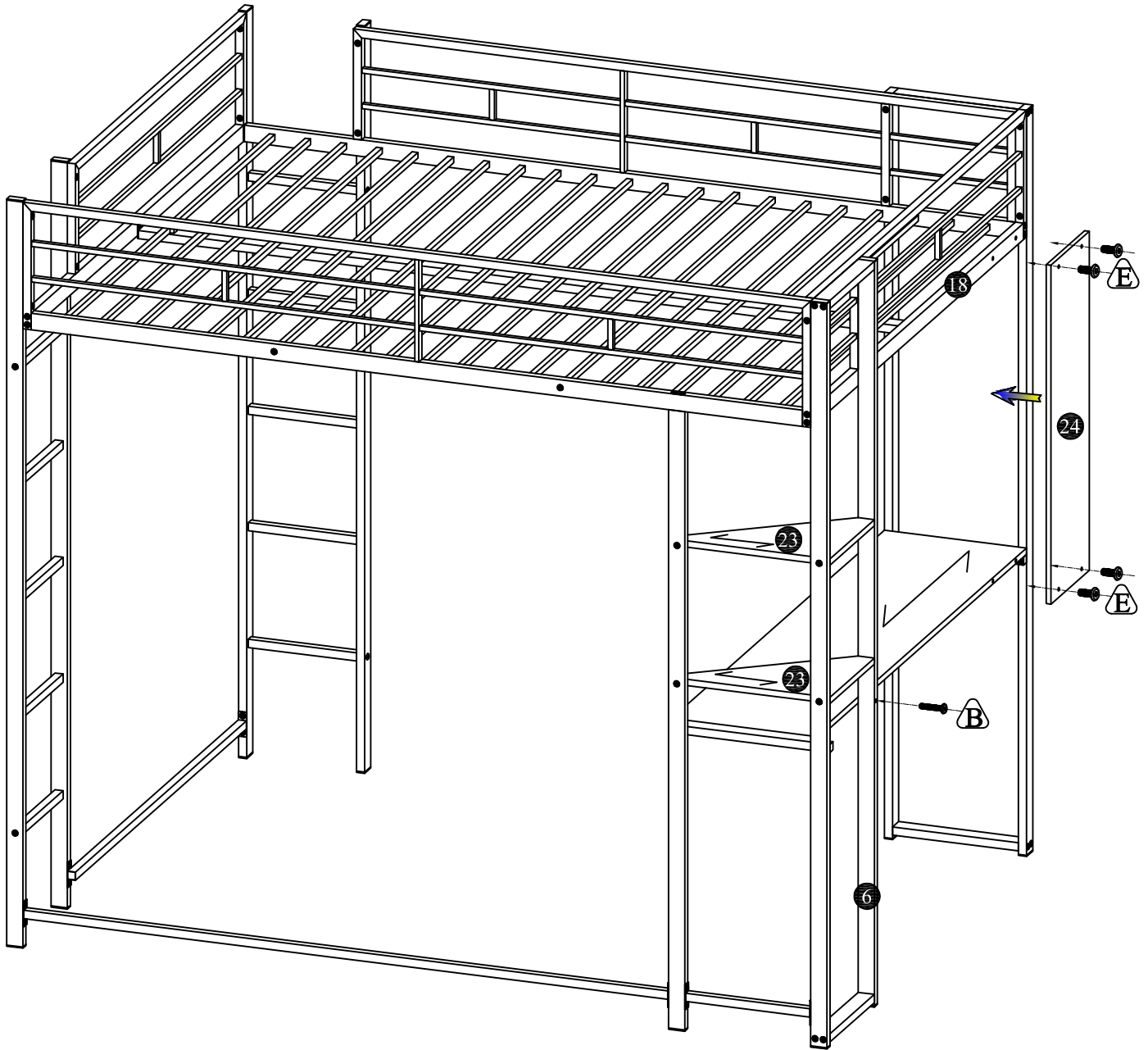
FULL LOFT BED
ASSEMBLY INSTRUCTIONS


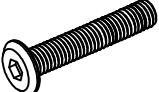
STEP 9


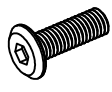



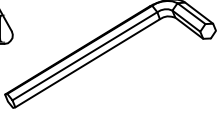
FULL LOFT BED
ASSEMBLY INSTRUCTIONS

STEP 10



 
1/4"*50
1 PCS

 
1/4"*25
4 PCS

 
4x60
2PCS

FULL LOFT BED
ASSEMBLY INSTRUCTIONS

STEP 11

