

INSTALLATION

Product Manual



IMPORTANT INFORMATION!

please read the entire manual before starting to assemble and/or using this product. follow the manual thoroughly and keep it for further reference.



AVOID SCRATCHES!

In order to avoid scratching this furniture should be assembled on a soft layer - could be a rug.



IMPROVE EFFICIENCY !

Try to find a partner to install with you, which can speed up the installation efficiency and shorten the time.



ANTI-TOPPLE WARNING !

Overturnd furniture can cause serious or fatal crush injuries. To prevent tipping over, be sure to use the wall attachment, if not included with this product. Please purchase the wall attachment that fit your wall. If unsure, seek professional advice. Please read and follow each step of the instructions carefully.

IMPORTANT !

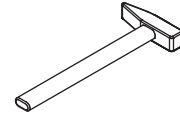
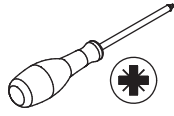
It is important that any product which is assembled using any kind of screw is re-tightened 2 weeks after assembly, and once every 3 months - in order to assure stability through-out the lifespan of the product.

For regular maintenance and cleaning of the product, for the frame, please use a rag dipped in neutral detergent to fully wipe it, and then dry it with a clean rag. For glass materials, wipe with a rag dampened with water glass cleaner, and then dry with a dry rag.

Do not use an electric screwdriver, and do not use too much force when installing, because the board is easy to break.



Please prepare the following tools



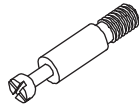
When installing, please carefully confirm whether each screw corresponds to the manual, accessories with similar shapes can be distinguished by size

A x 82



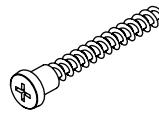
CRA0635A

B x 82



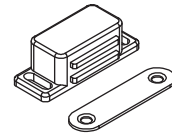
CRA0635A

C x 58

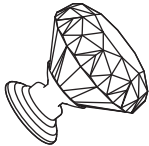


CRC0540A

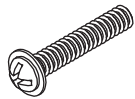
D x 2



E x 9



F x 9



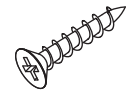
CRE0416A

G x 76



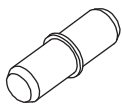
CRD0312A

H x 4



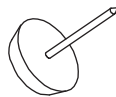
CRD0314A

J x 4

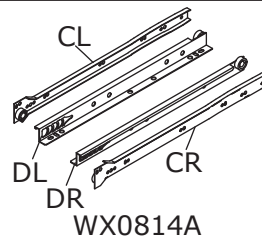


∅5 x 16 mm

K x 8

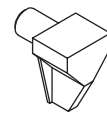


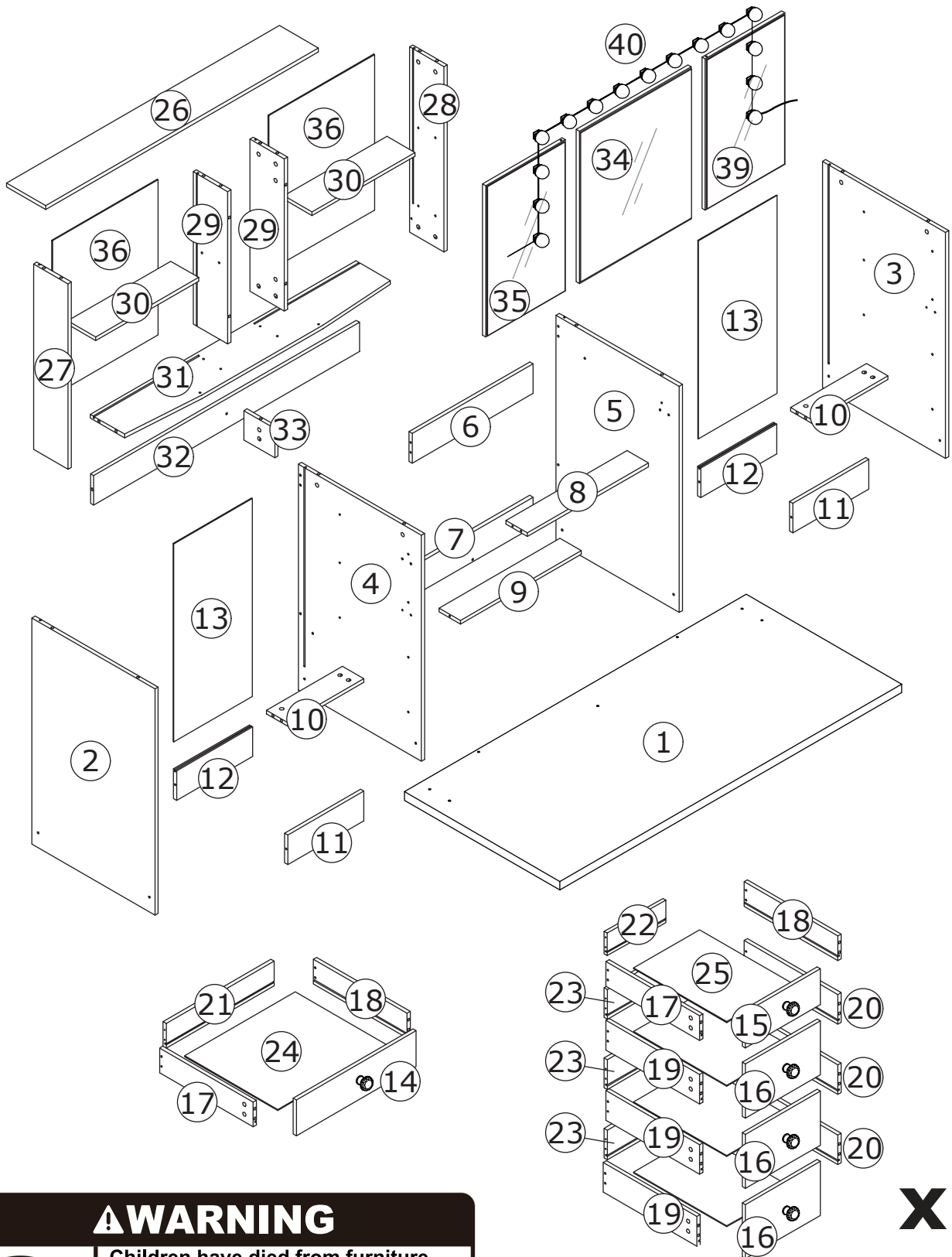
L x 9



WX0814A

M x 8





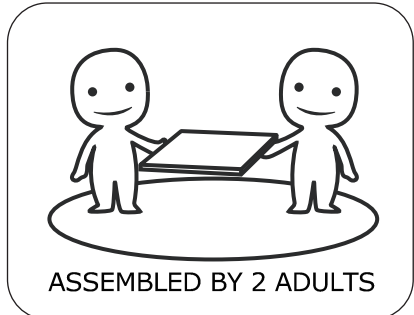
x2

⚠ WARNING

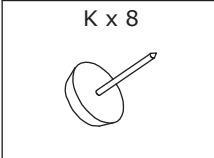
Children have died from furniture tipover. To reduce the risk of furniture tipover:

- ALWAYS install tipover restraint provided.
- NEVER put a TV on this product.
- NEVER allow children to stand, climb or hang on drawers, doors, or shelves.
- NEVER open more than one drawer at a time.
- Place heaviest items in the lowest drawers.

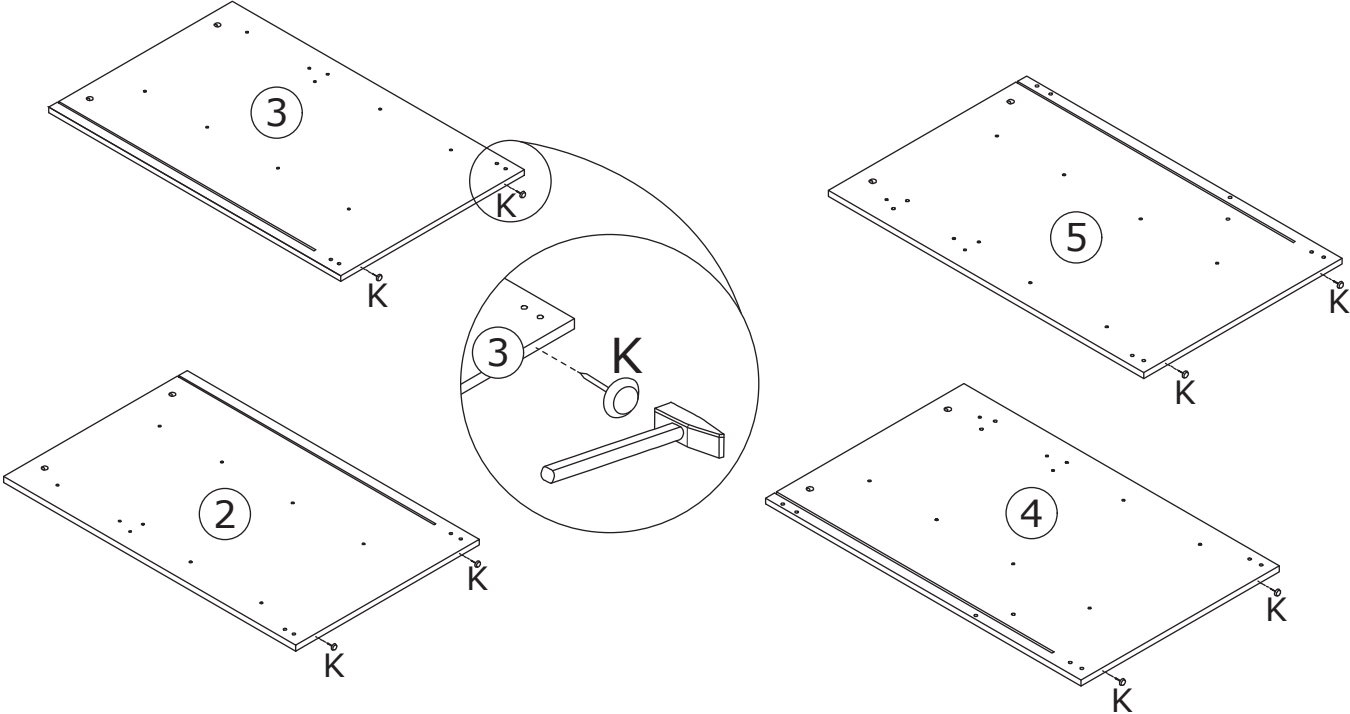
This is a permanent label. Do not remove!



1



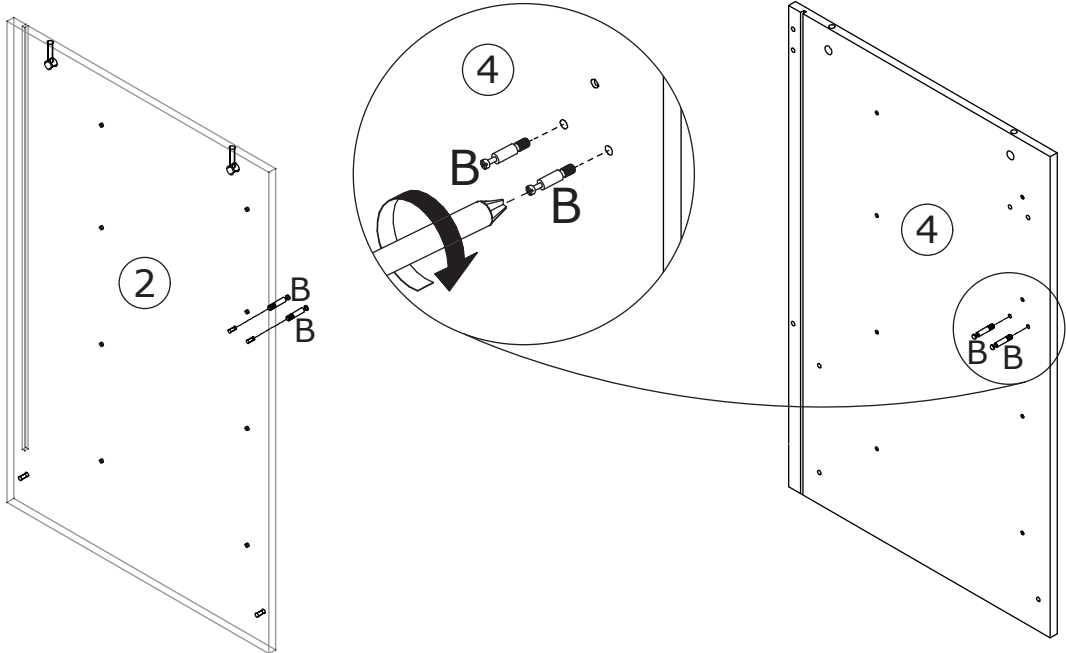
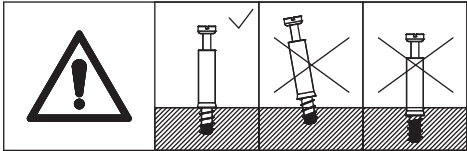
Knock foot pad(K) into bottom of board 2, 3, 4 and 5 as shown.



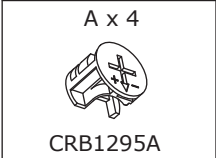
2



Insert quickfit screw(B) into board 2 and 4 with a screwdriver as shown.

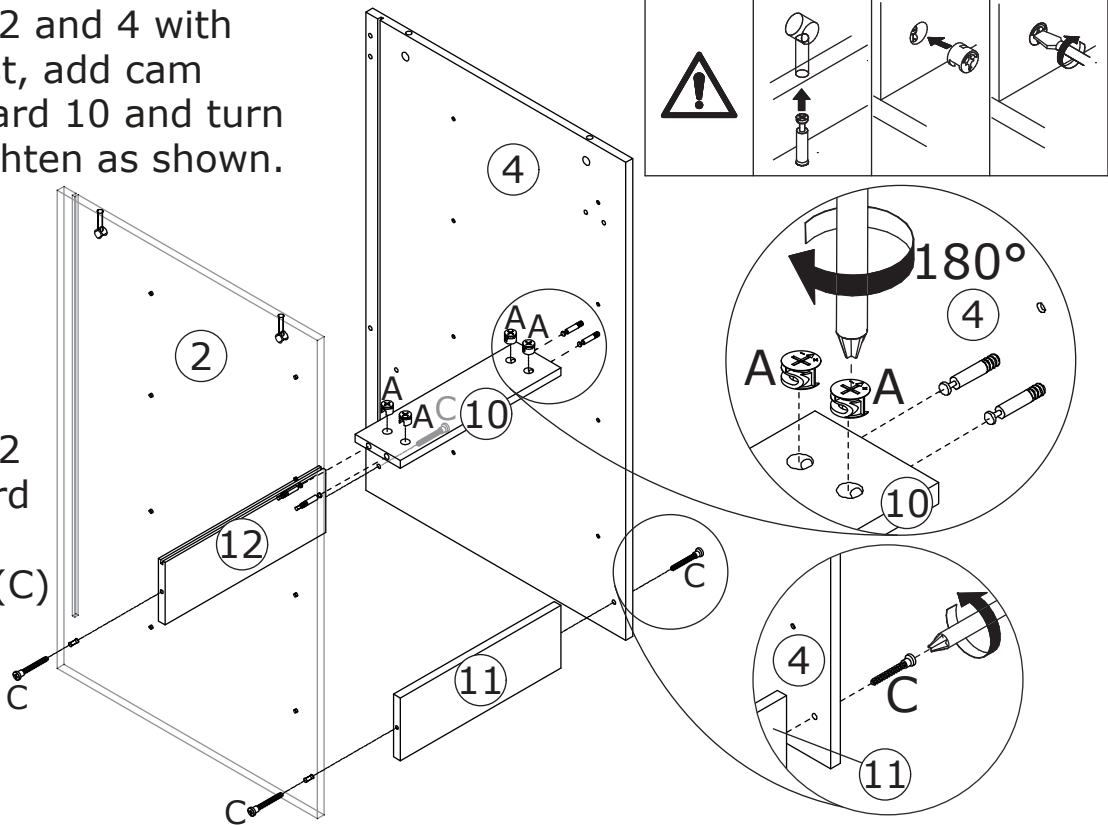


3



Connect board 2 and 4 with board 10 at first, add cam lock(A) into board 10 and turn clockwise to tighten as shown.

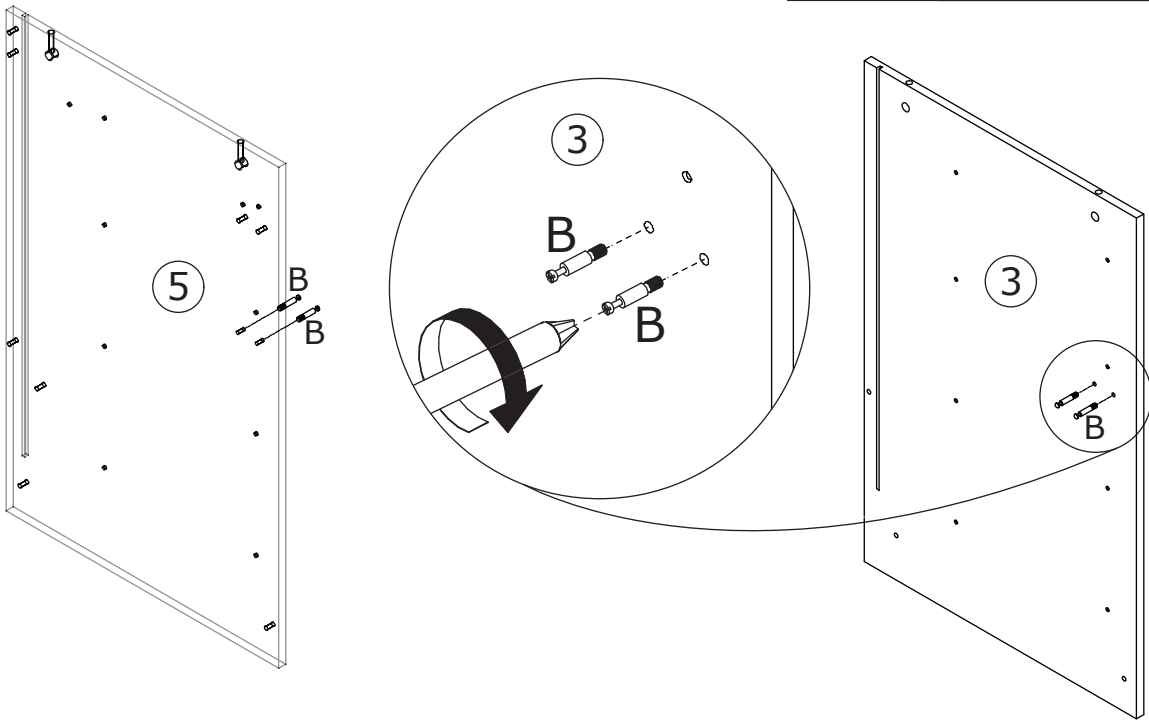
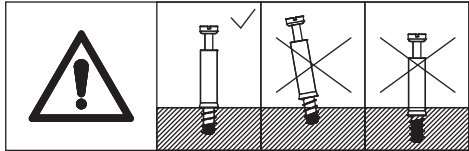
Connect board 2 and 4 with board 11 and 12, fix using screw(C) as shown.



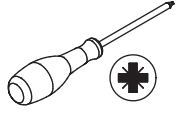
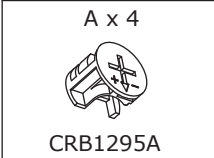
4



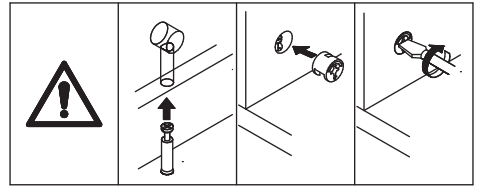
Insert quickfit screw(B) into board 3 and 5 with a screwdriver as shown.



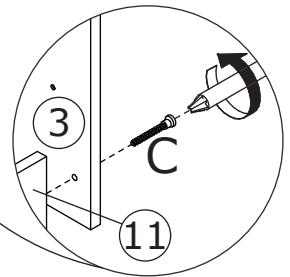
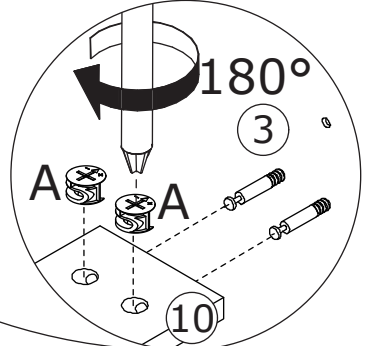
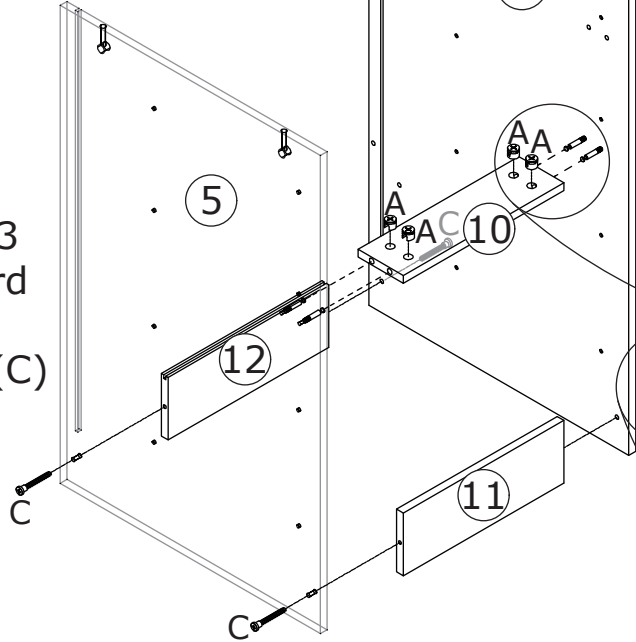
5



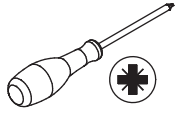
Connect board 3 and 5 with board 10 at first, add cam lock(A) into board 10 and turn clockwise to tighten as shown.



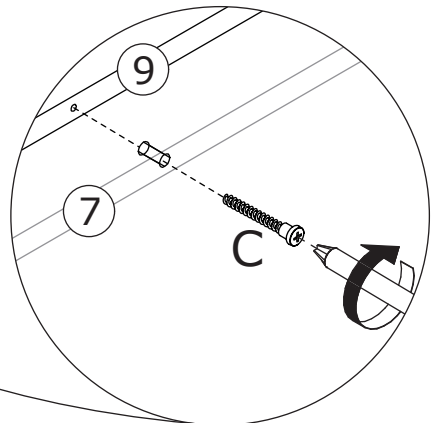
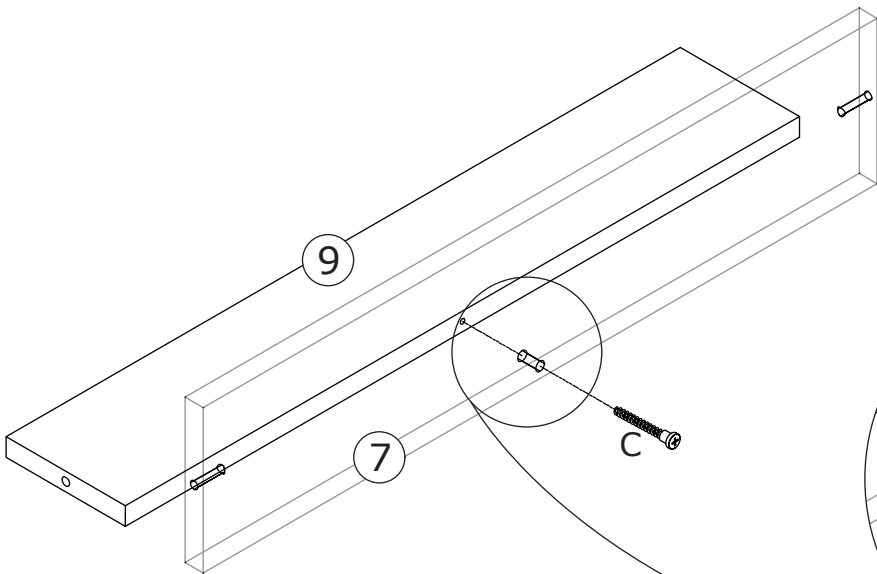
Connect board 3 and 5 with board 11 and 12, fix using screw(C) as shown.



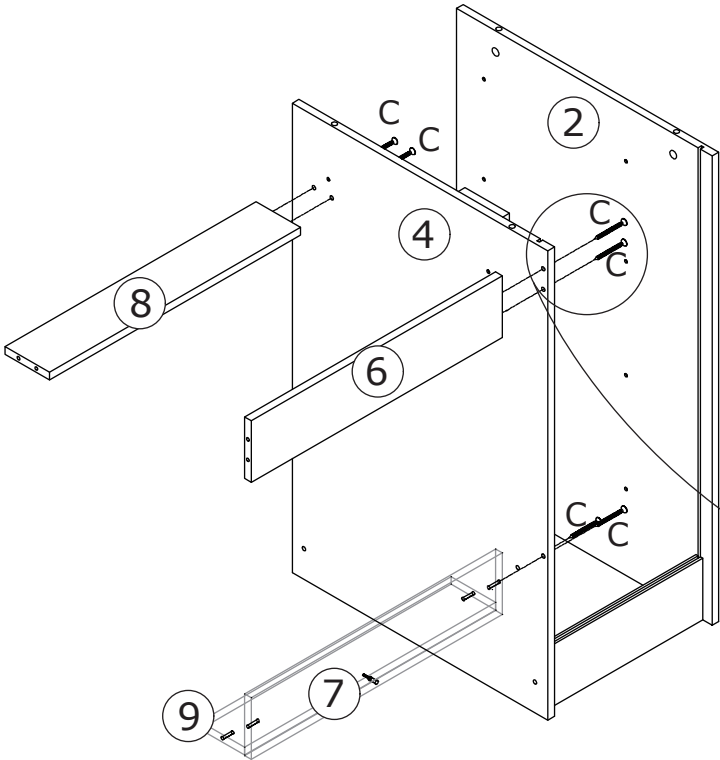
6



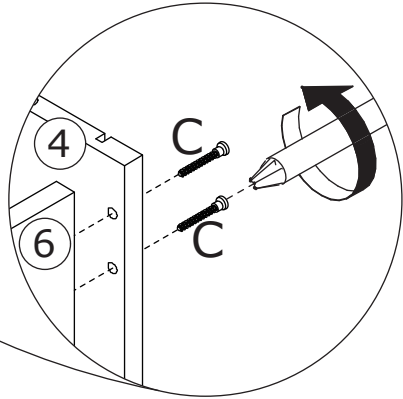
Fix board 7 to board 9 with screw(C) as shown.



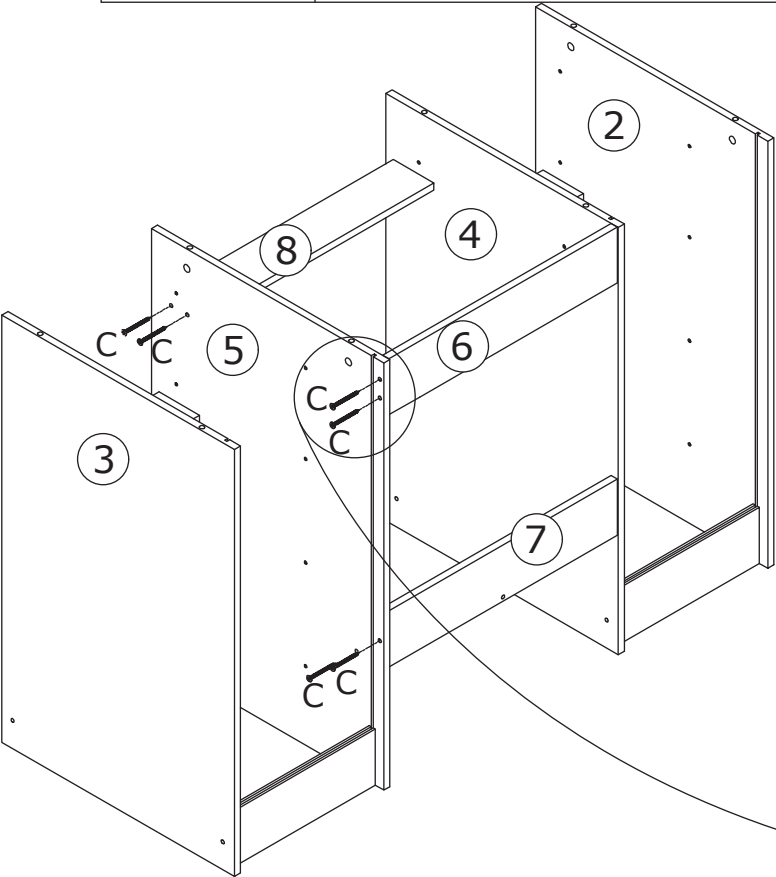
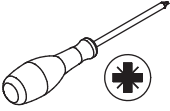
7



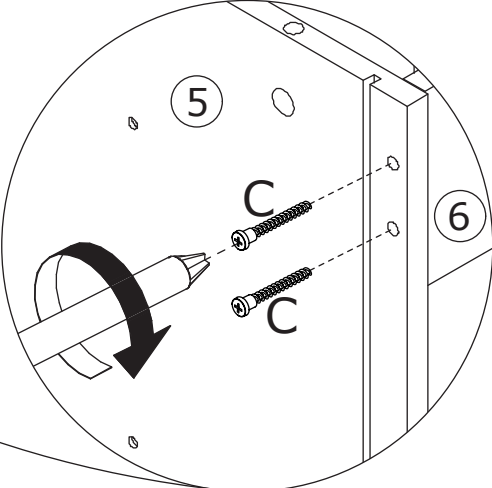
Connect board 6, 8, 7 and 9 with board 4, fix using screw(C) as shown.



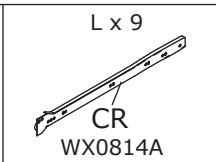
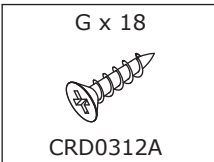
8



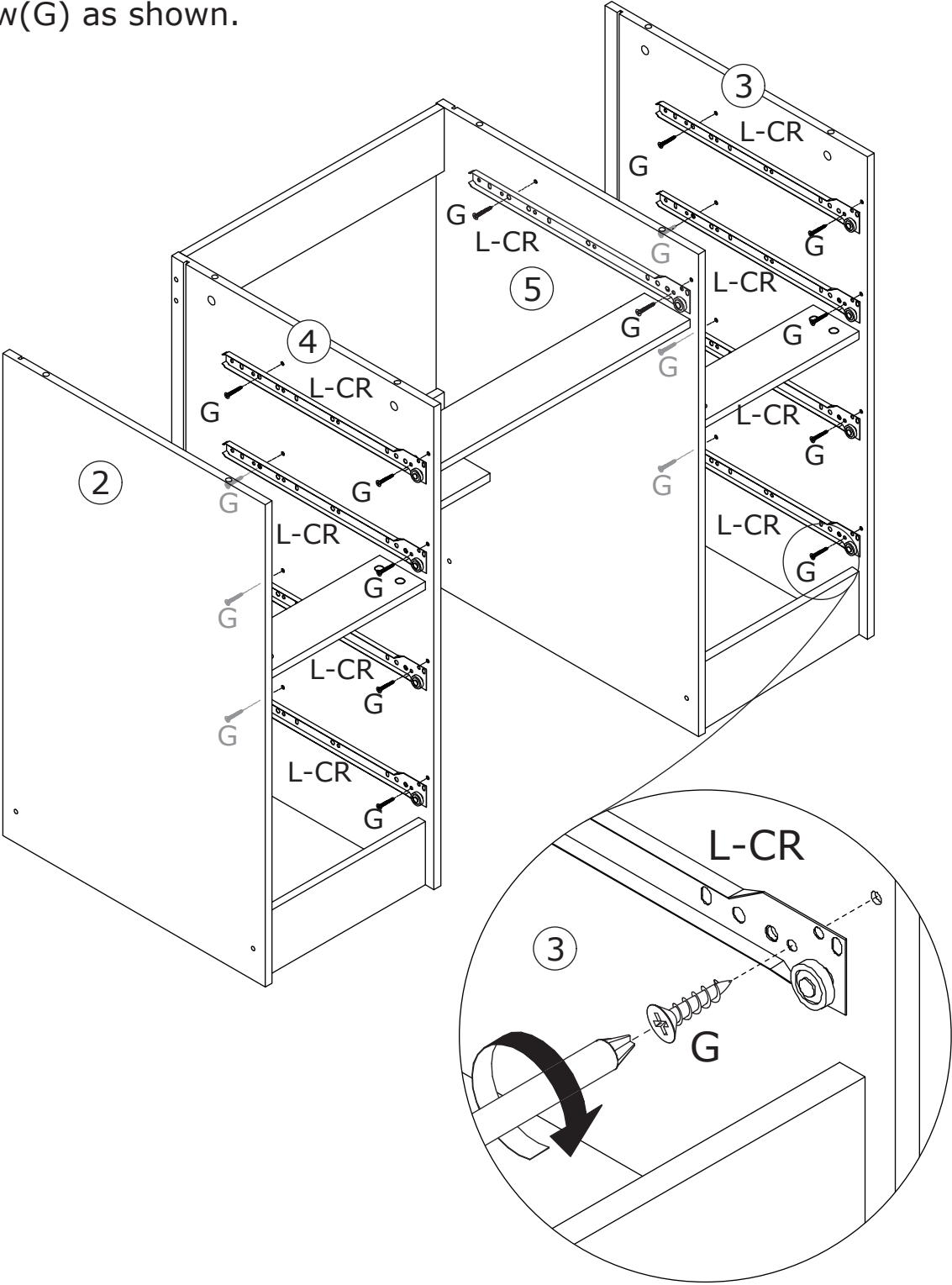
Connect board 6, 8, 7 and 9 with board 5, fix using screw(C) as shown.



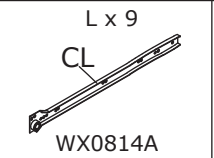
9



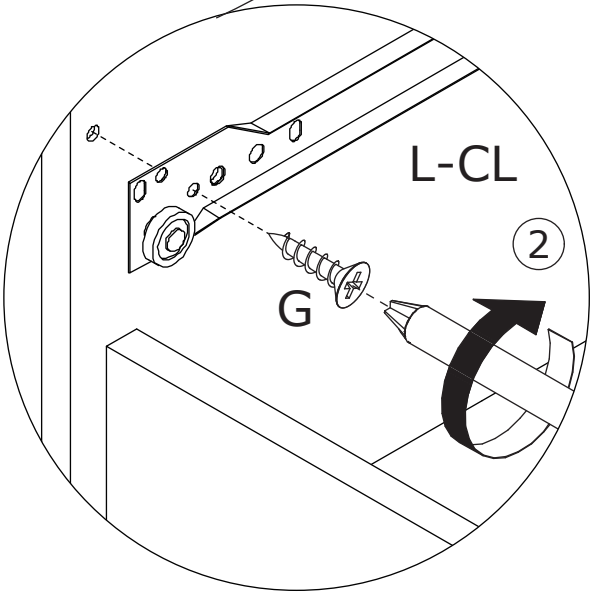
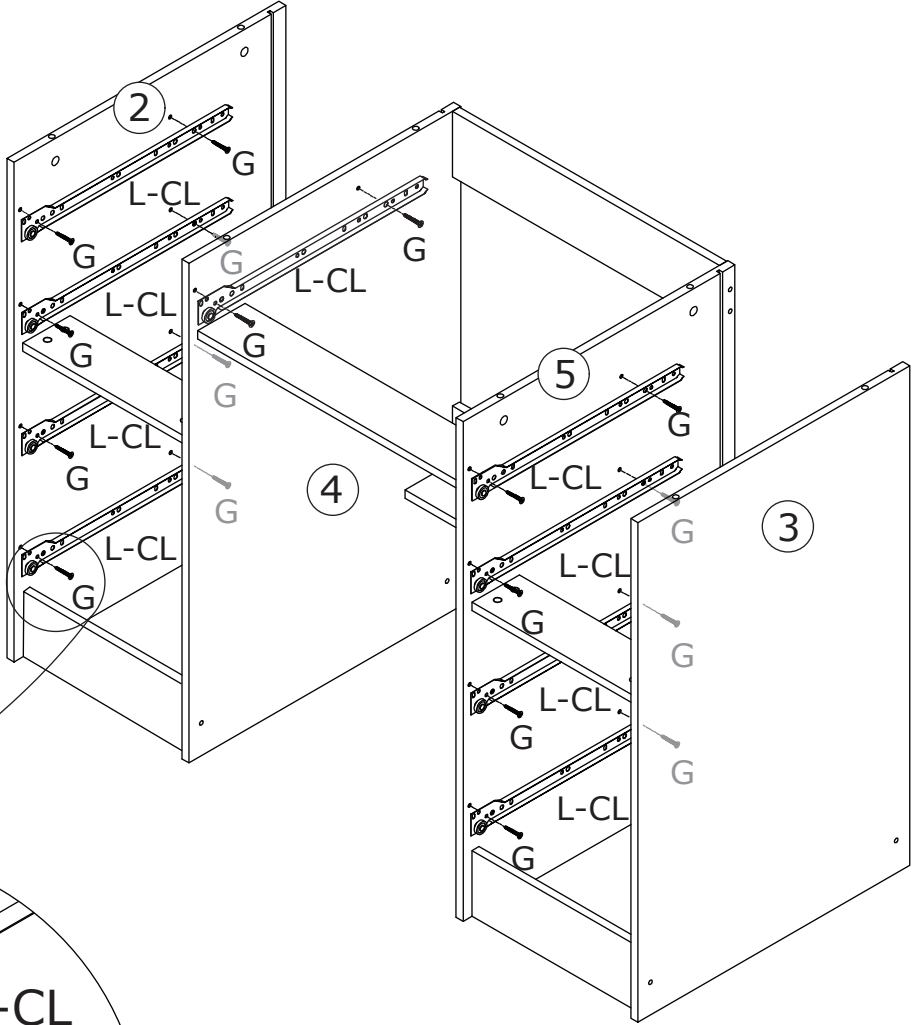
Fix slide rail(L-CR) to board 3 and 4 and 5 with screw(G) as shown.



10

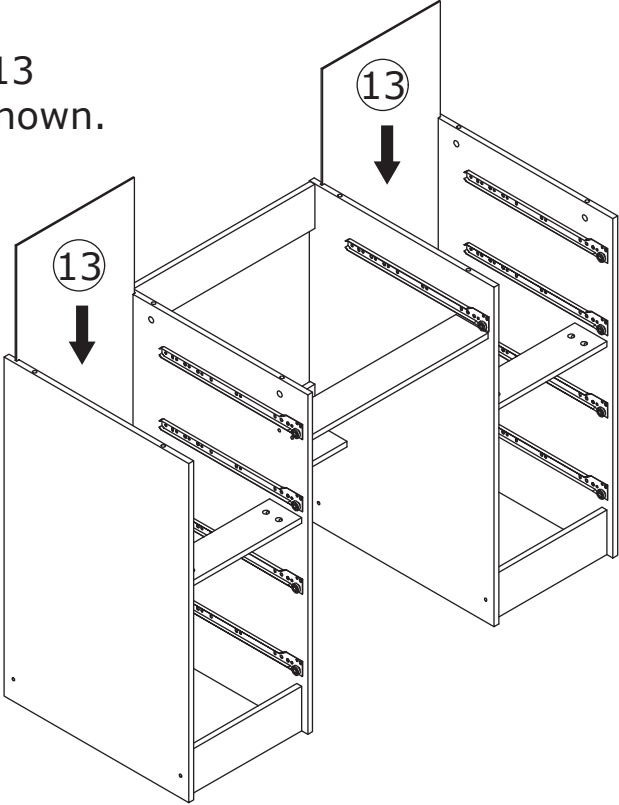


Fix slide rail(L-CL) to board 2 and 4 and 5 with screw(G) as shown.



11

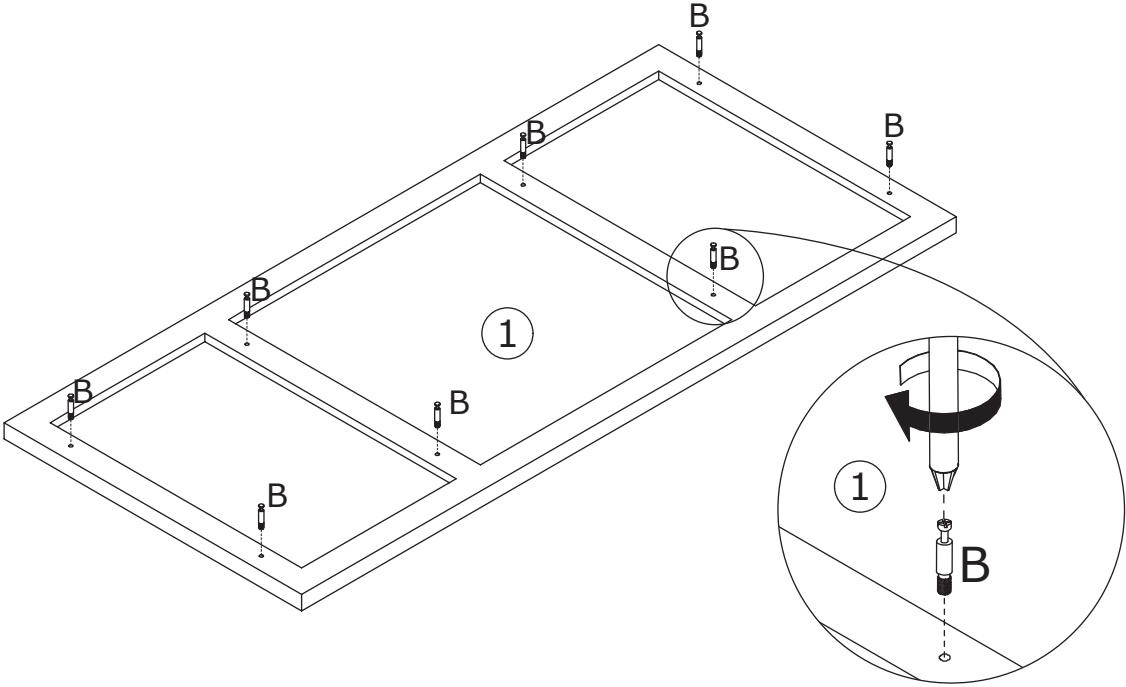
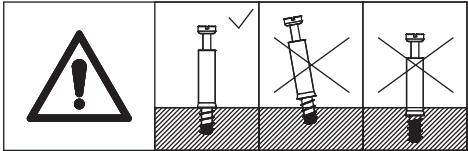
Insert back board 13 along grooves as shown.



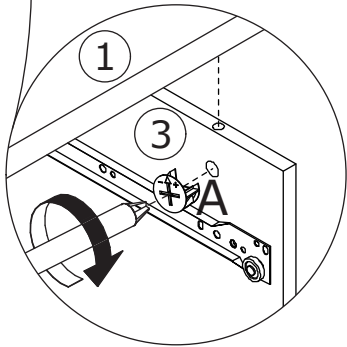
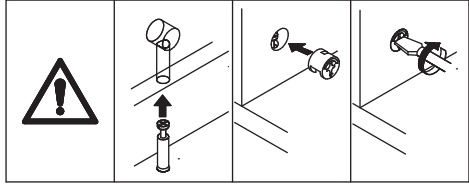
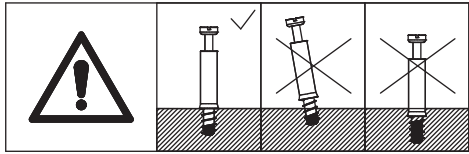
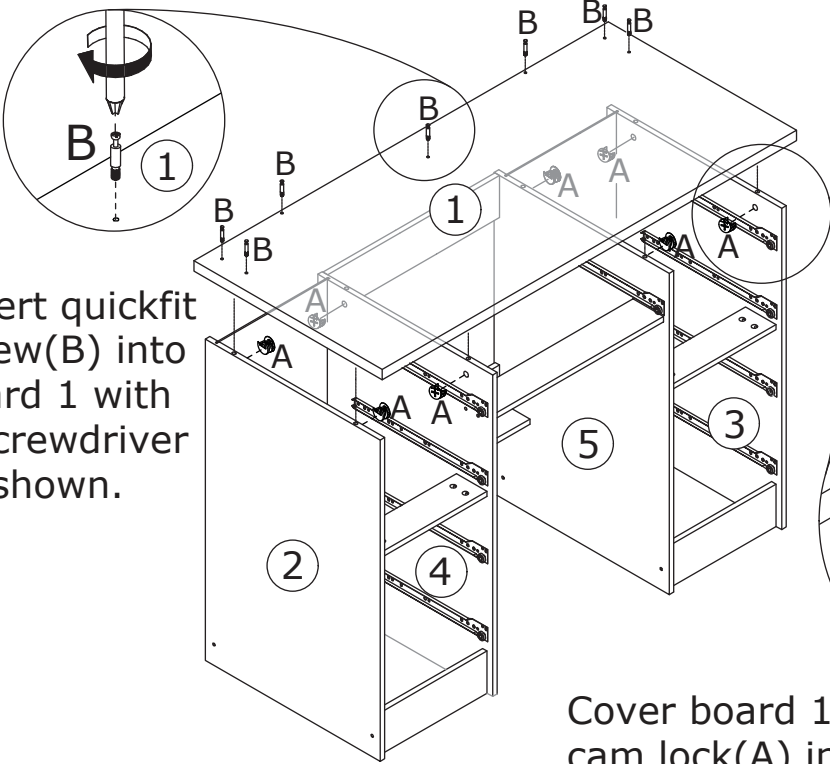
12



Insert quickfit screw (B) into board 1 with a screwdriver as shown.



13



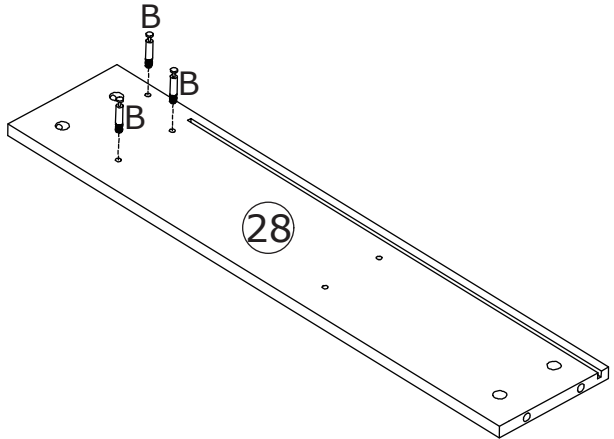
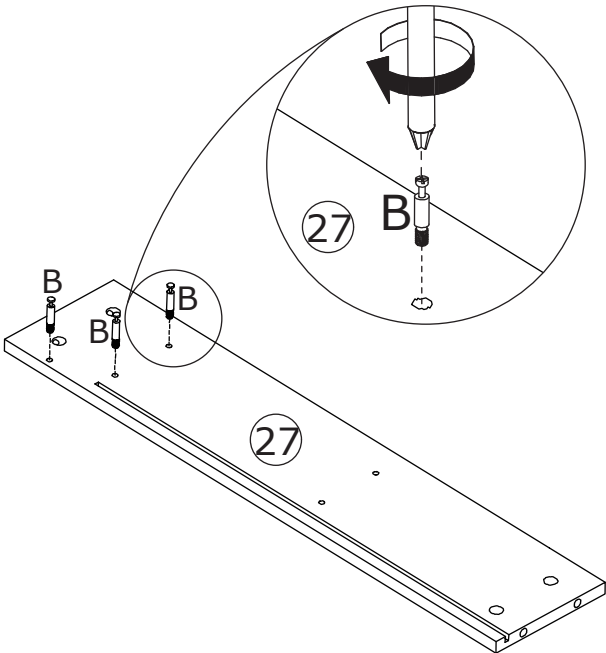
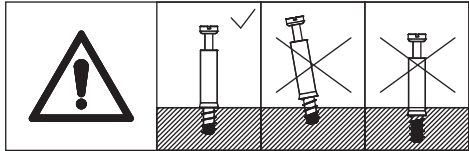
Insert quickfit screw(B) into board 1 with a screwdriver as shown.

Cover board 1 to the component, add cam lock(A) into board 2,4,5,3 and turn clockwise to tighten as shown.

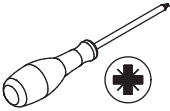
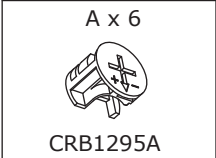
14



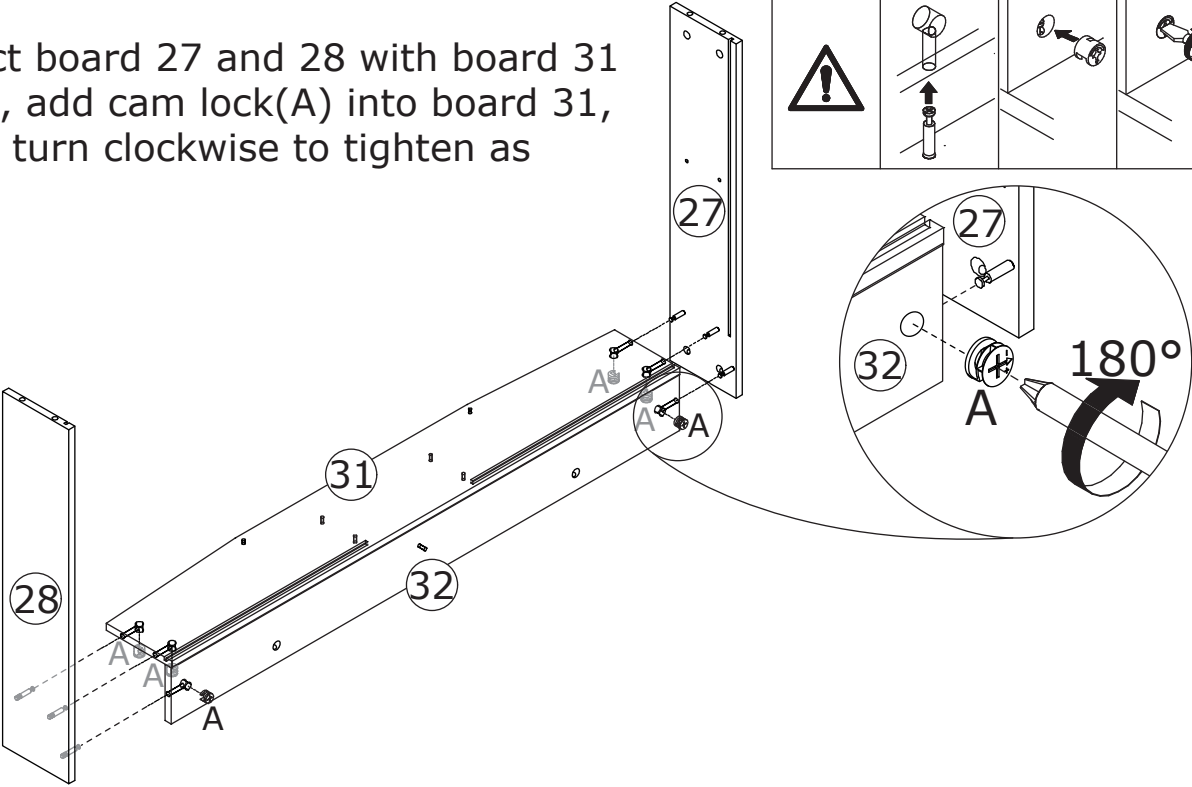
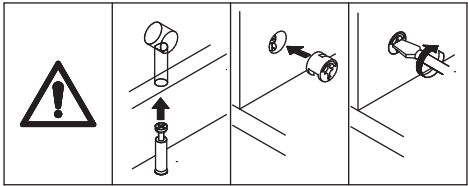
Insert quickfit screw(B) into board 27 and 28 with a screwdriver as shown.



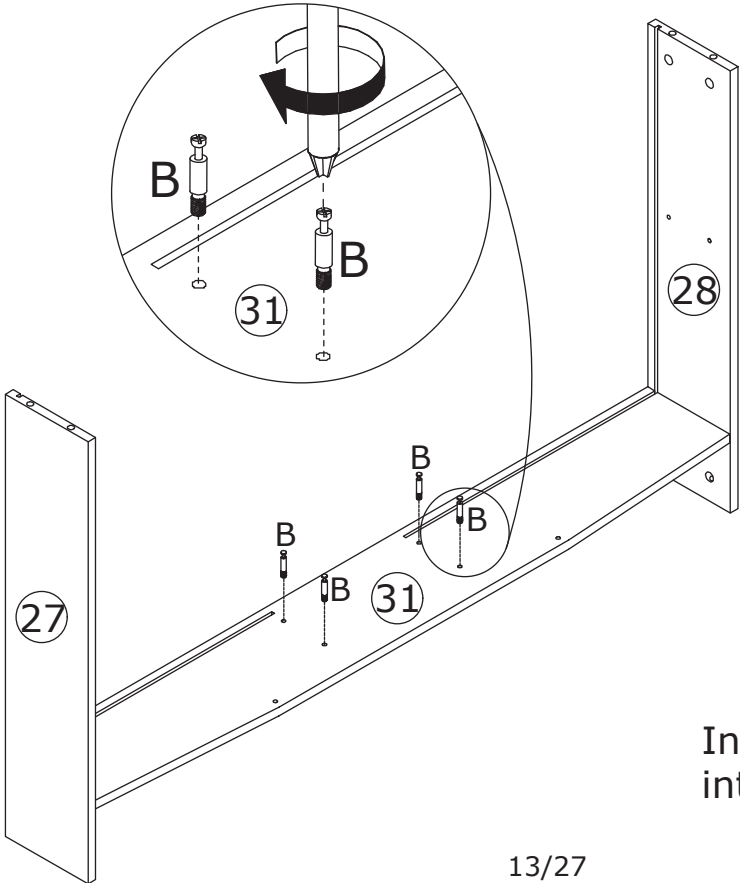
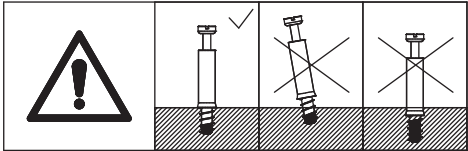
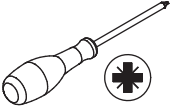
15



Connect board 27 and 28 with board 31 and 32, add cam lock(A) into board 31, 32 and turn clockwise to tighten as shown.



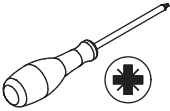
16



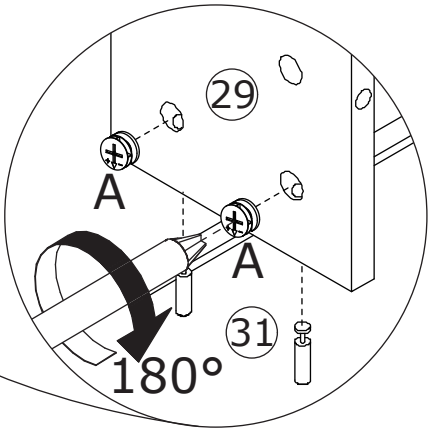
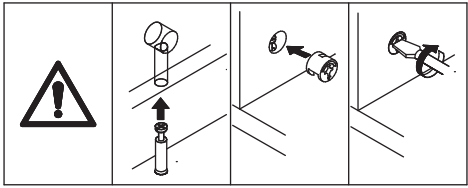
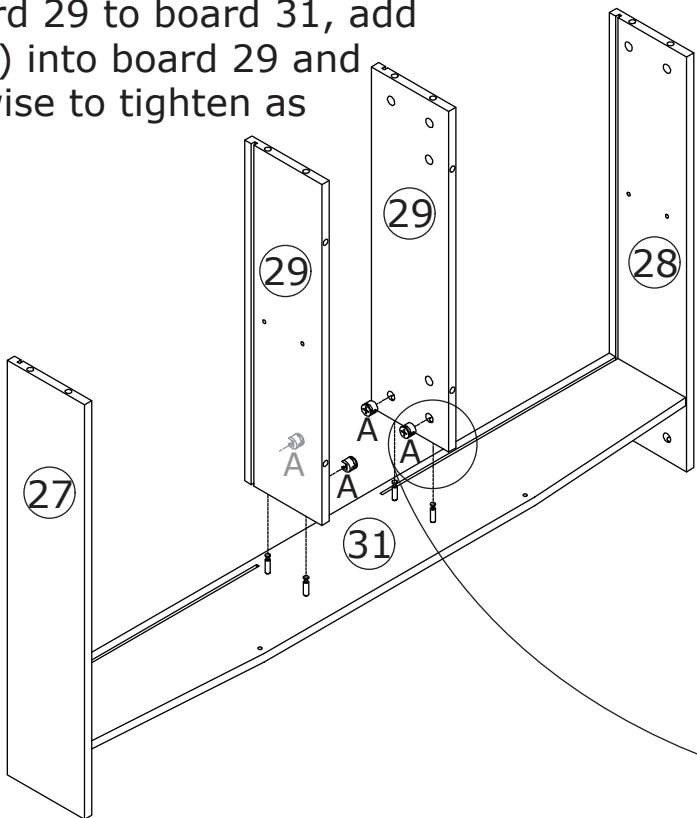
Insert quickfit screw(B) into board 31 as shown.

17

A x 4
CRB1295A

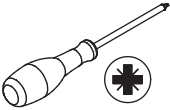


Attach board 29 to board 31, add cam lock(A) into board 29 and turn clockwise to tighten as shown.

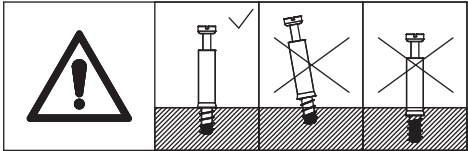
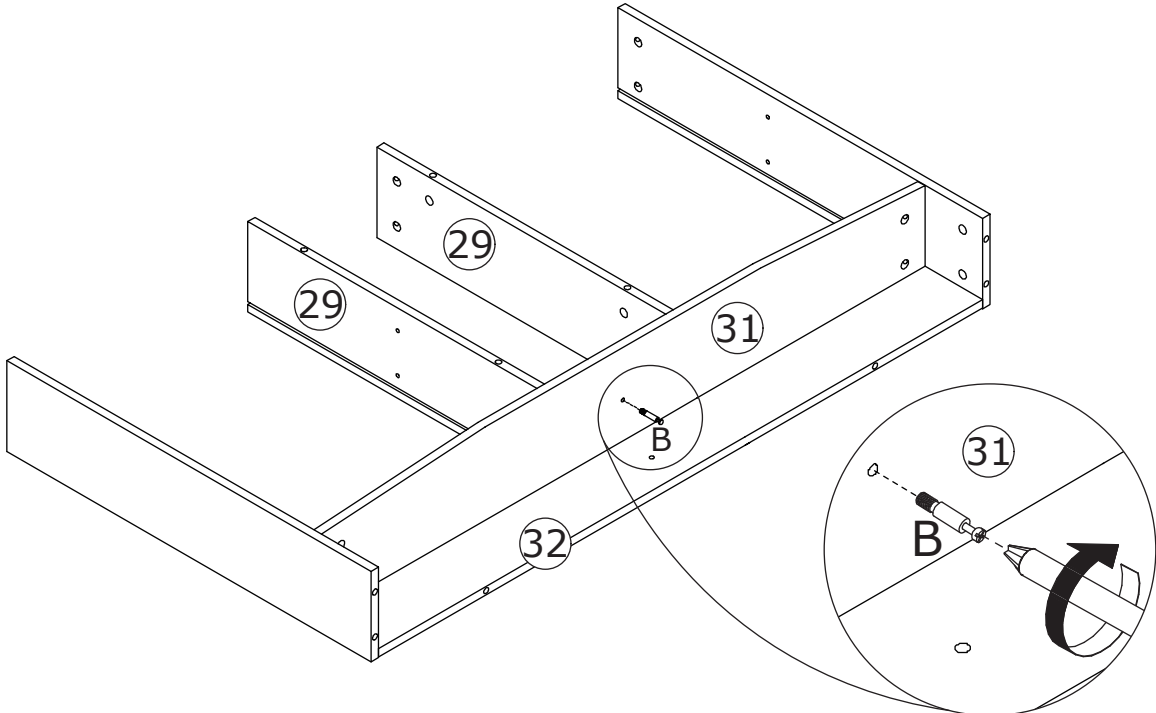


18

B x 1
CRA0635A



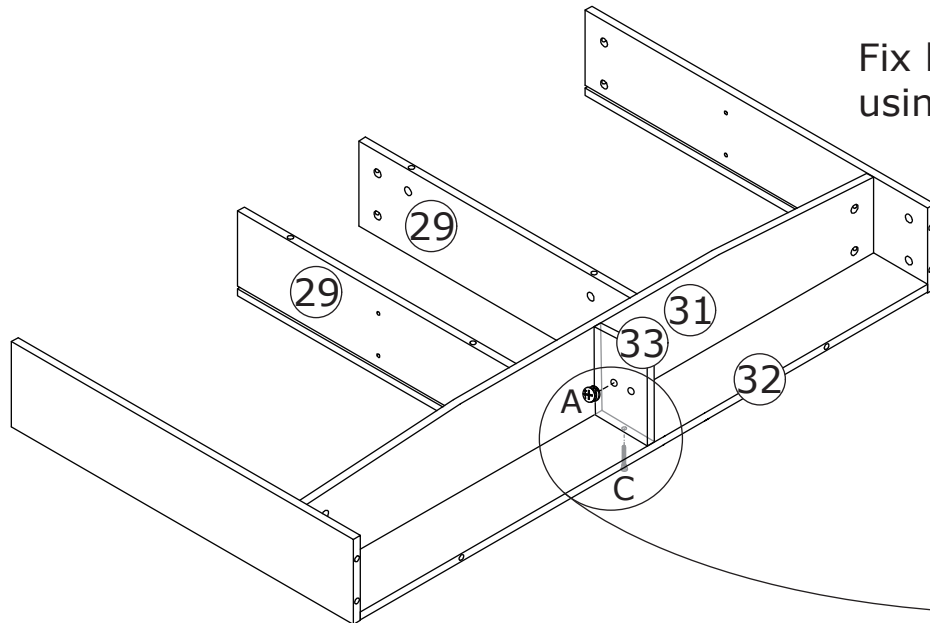
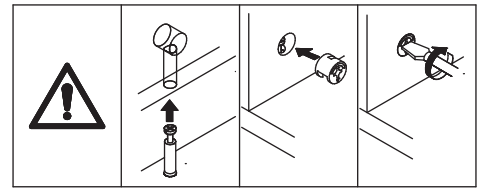
Insert quickfit screw(B) into board 31 as shown.



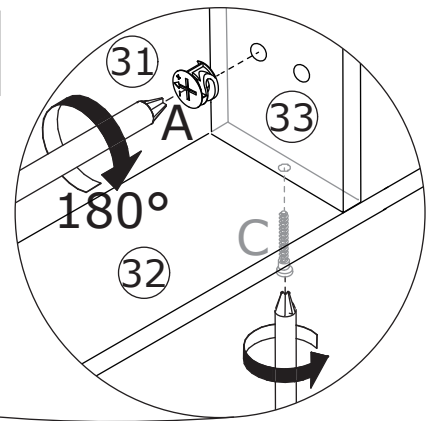
19



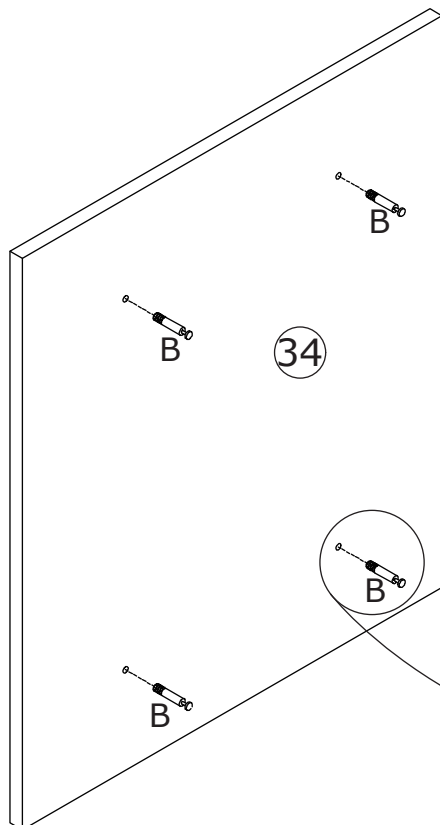
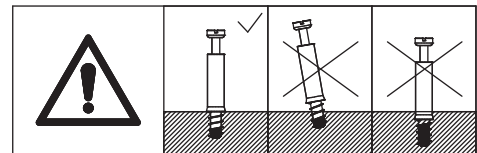
Attach board 33 to board 31, add cam lock(A) and turn clockwise to tighten as shown.



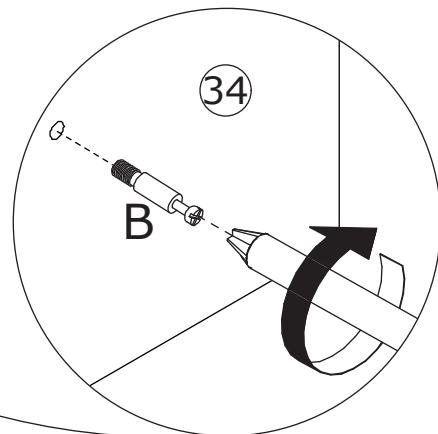
Fix board 33 with board 32 using screw(C) as shown.



20

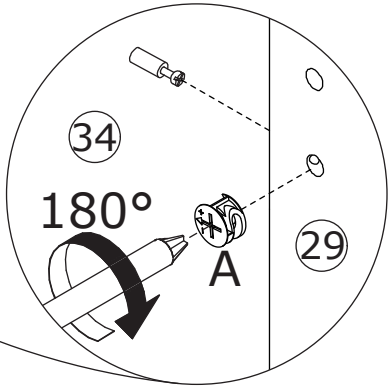
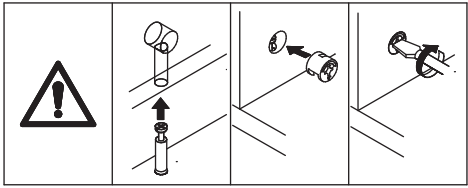
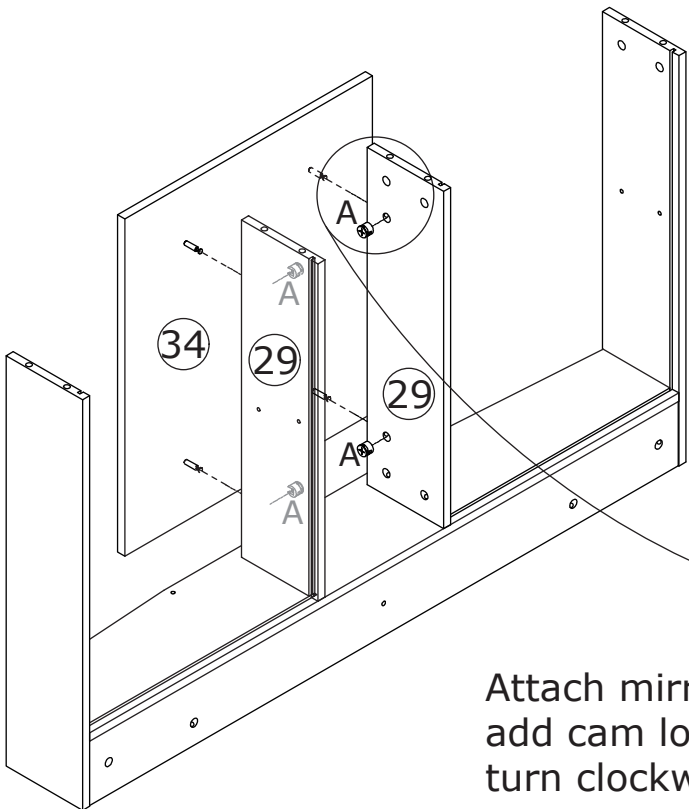
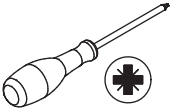


Insert quickfit screw(B) into board 34 as shown.



21

A x 4
CRB1295A



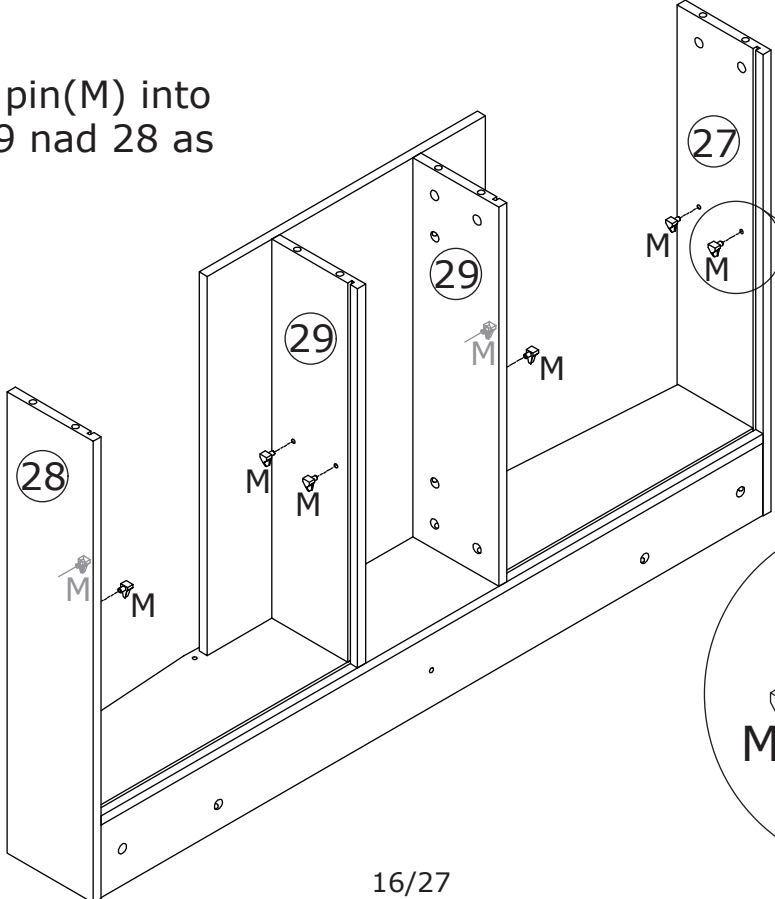
Attach mirror board 34 to board 29, add cam lock(A) into board 29 and turn clockwise to tighten as shown.

22

M x 8

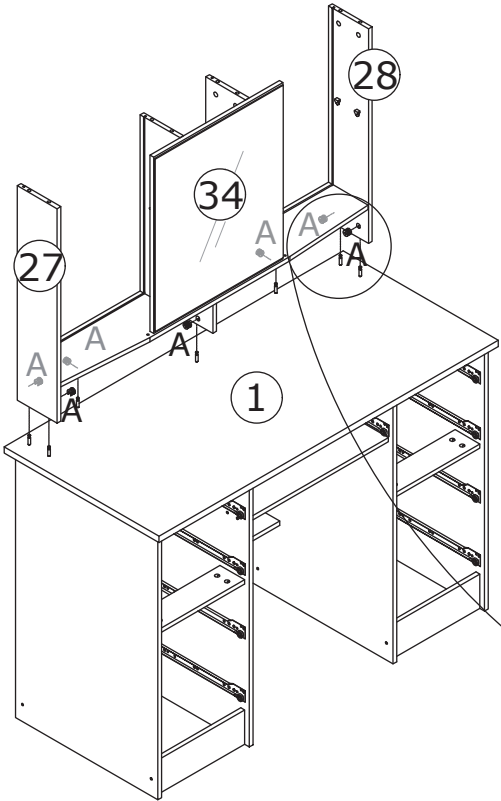
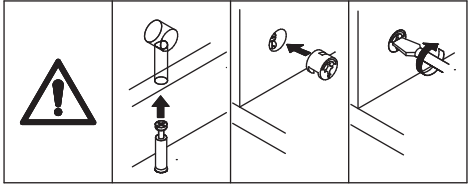
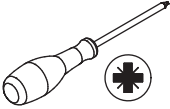


Insert layer pin(M) into board 27, 29 nad 28 as shown.

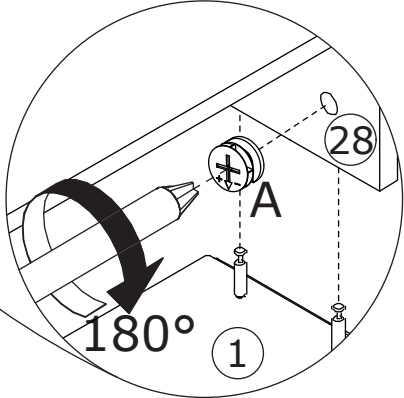


23

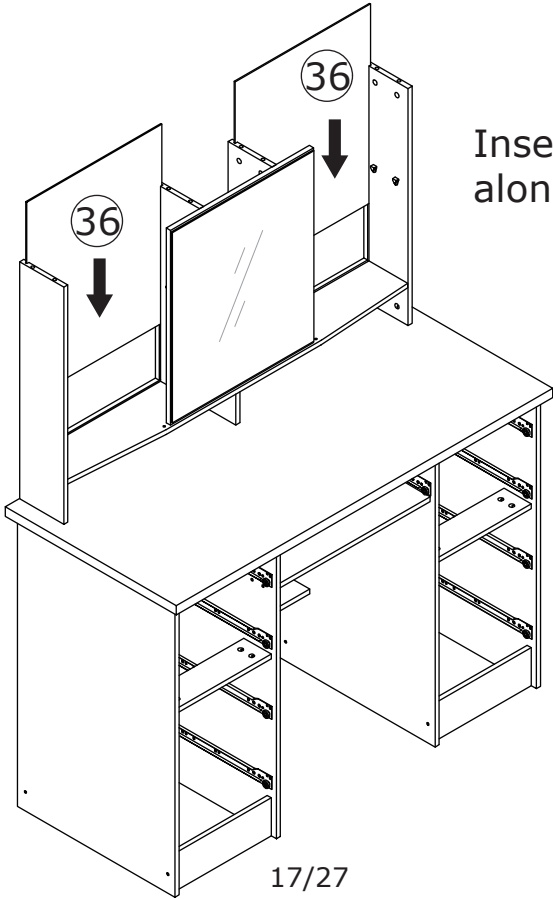
A x 7
CRB1295A



Attach the component to board 1, add cam lock(A) and turn clockwise to tighten as shown.

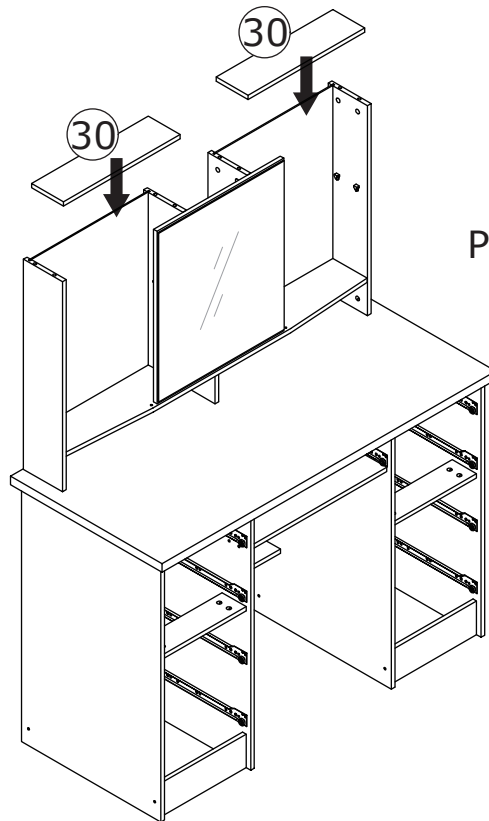


24



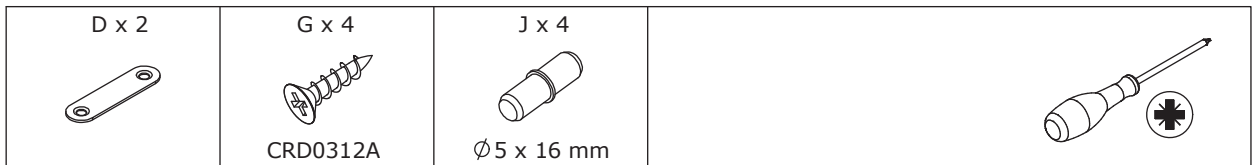
Insert back board 36 along grooves as shown.

25

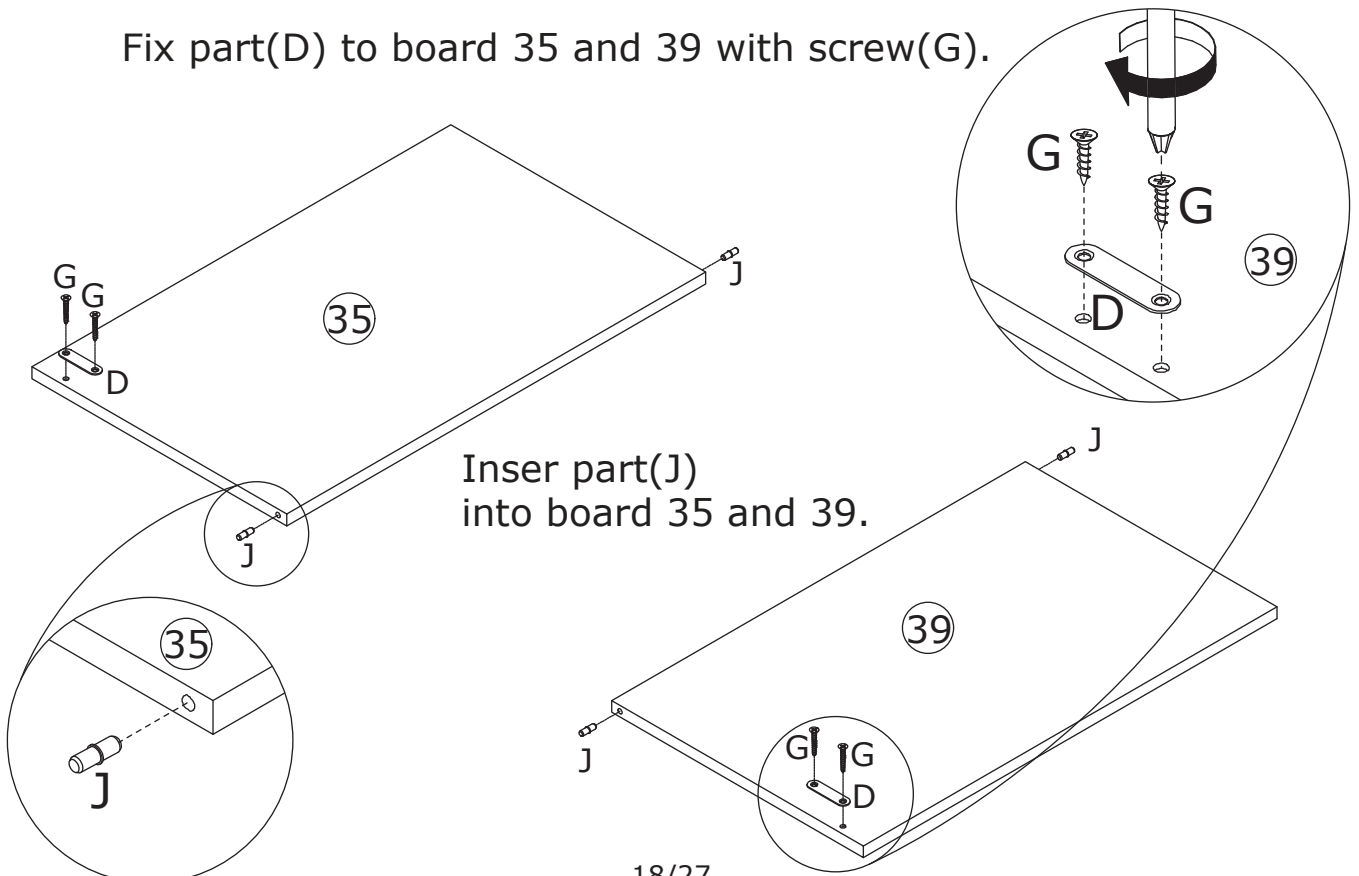


Place shelf 30 in as shown.

26

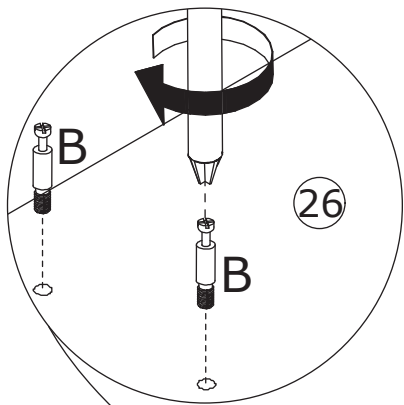
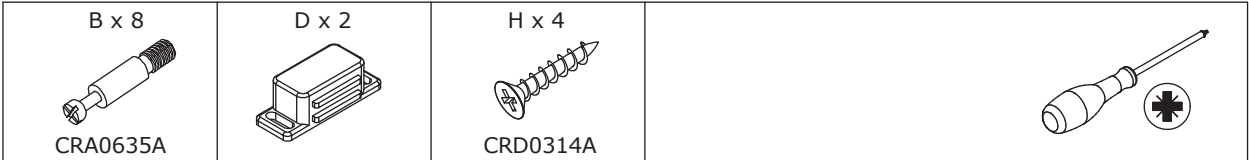


Fix part(D) to board 35 and 39 with screw(G).

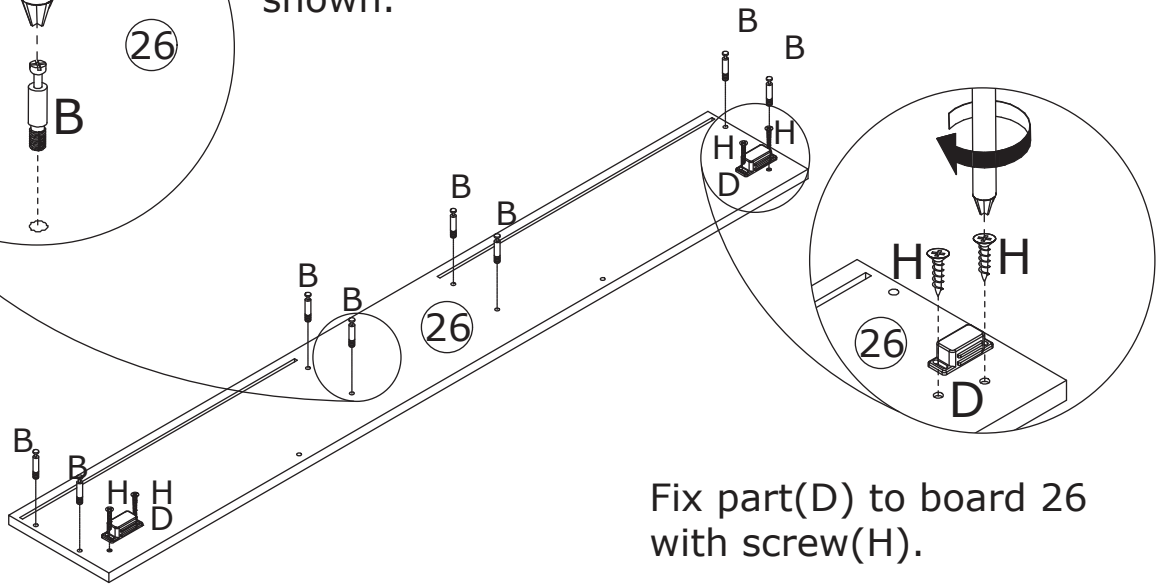
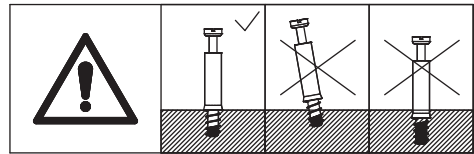


Insert part(J)
into board 35 and 39.

27

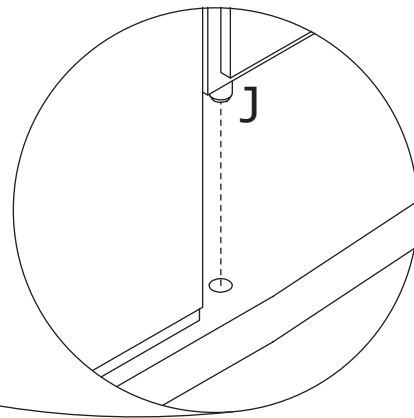
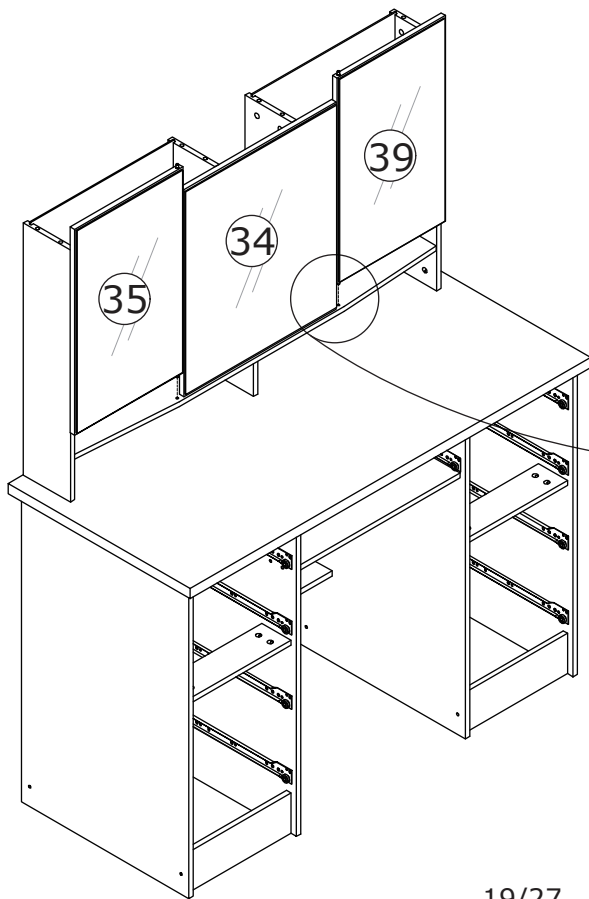


Insert quickfit screw (B) into board 26 as shown.



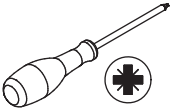
Fix part(D) to board 26 with screw(H).

28

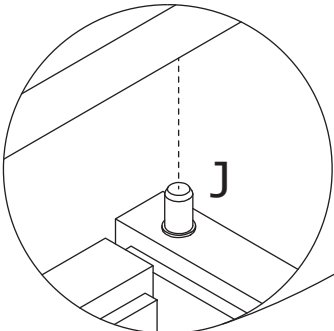
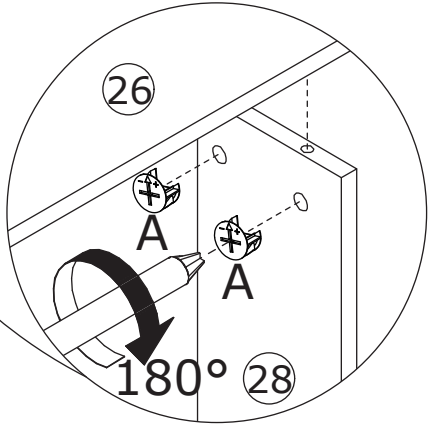
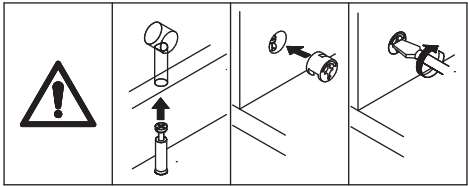
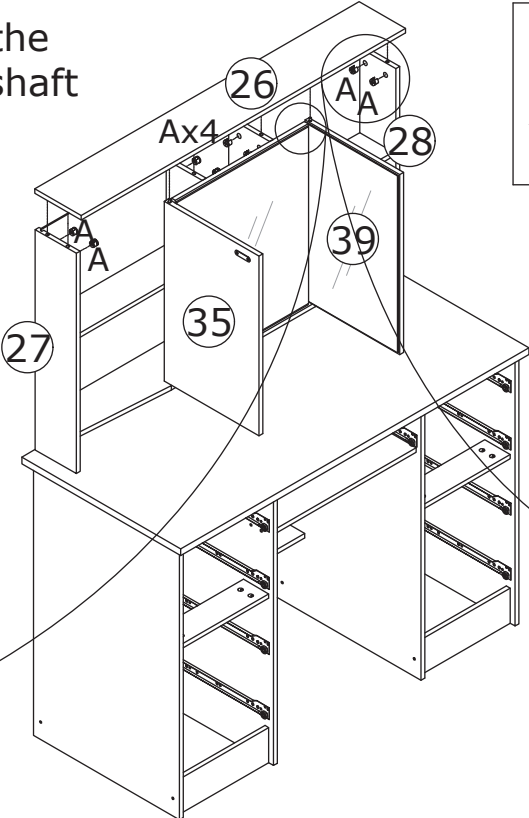


Align the door shaft hole, assemble board 35 and 39 as shown.

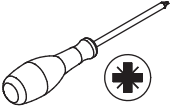
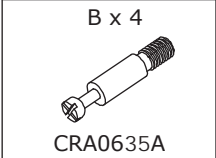
29



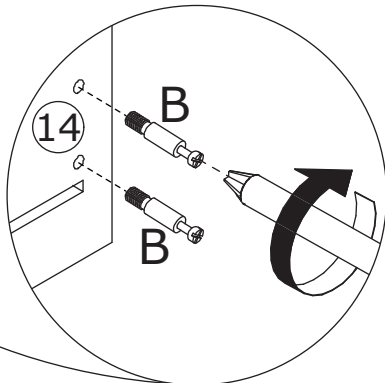
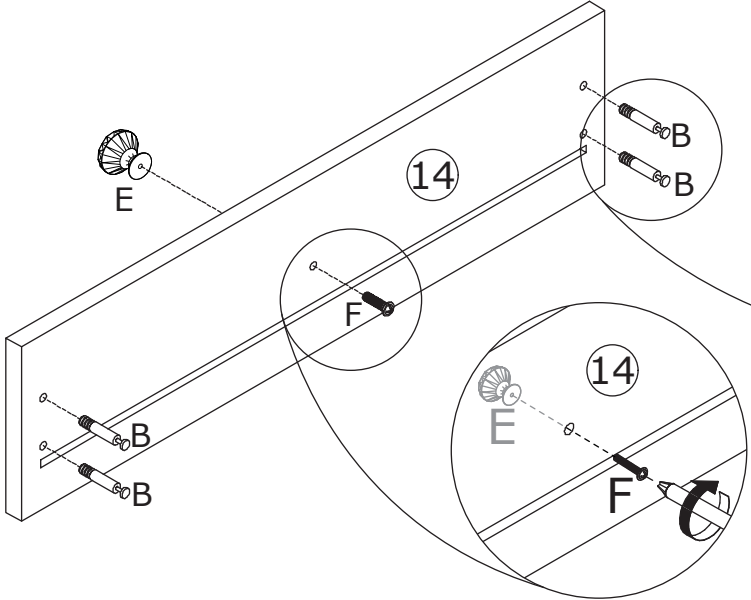
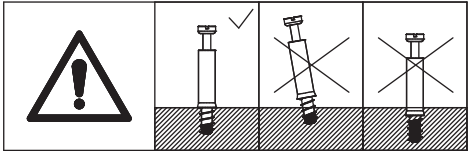
Attach board 26 to the top, align the door shaft hole to assemble. Add cam lock(A) and turn clockwise to tighten as shown.



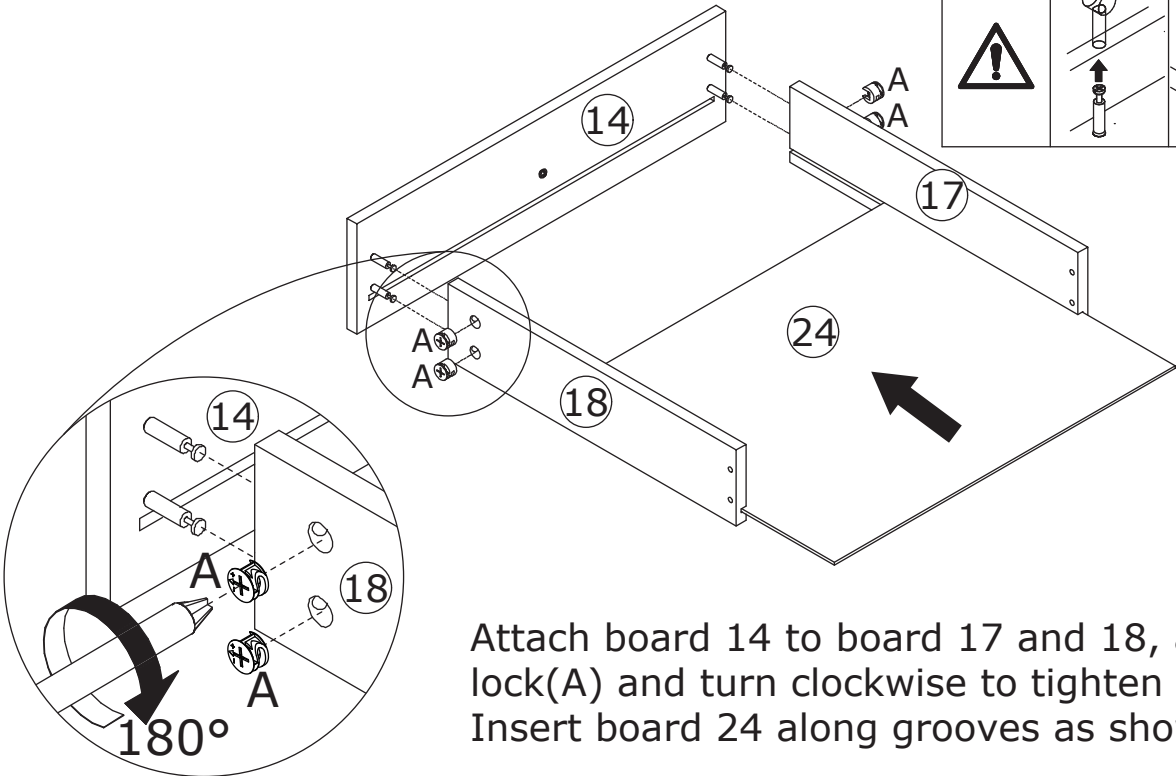
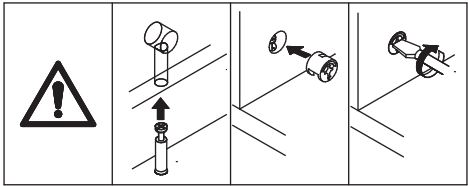
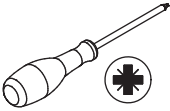
30



Insert quickfit screw(B) into board 14 as shown. Fix knob(E) with screw(F).

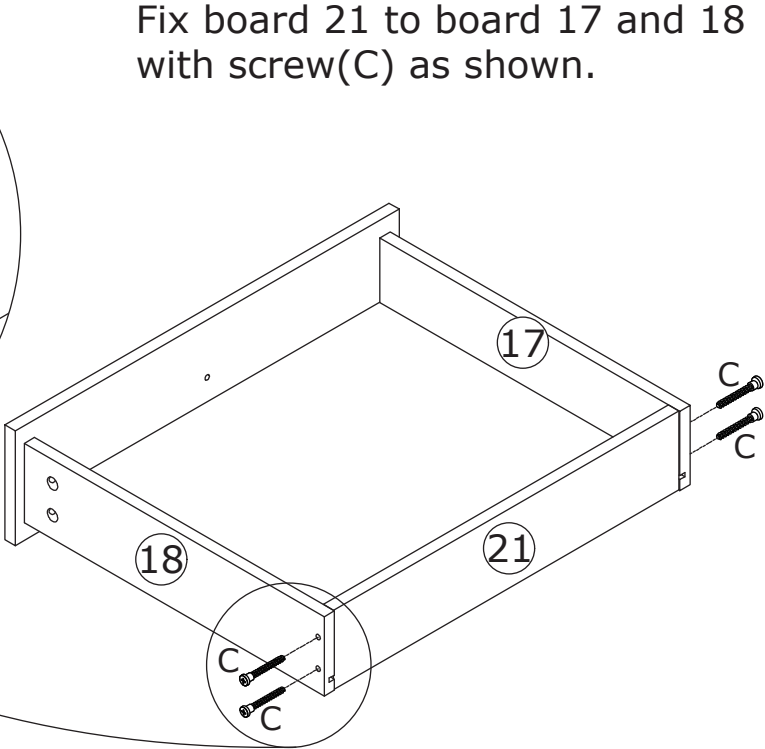
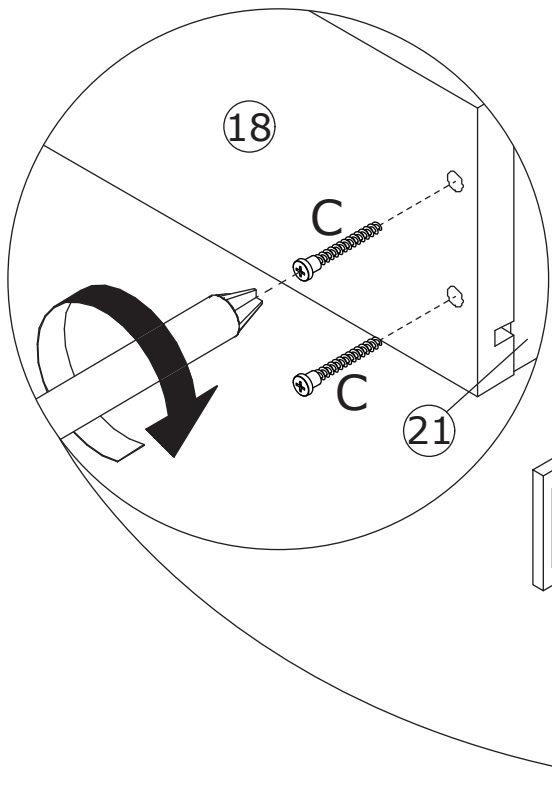
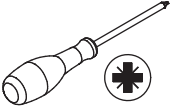


31



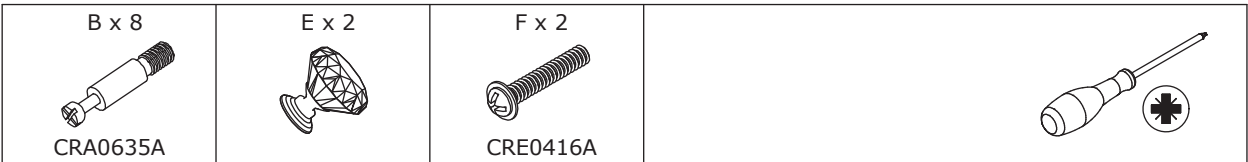
Attach board 14 to board 17 and 18, add cam lock(A) and turn clockwise to tighten as shown. Insert board 24 along grooves as shown.

32

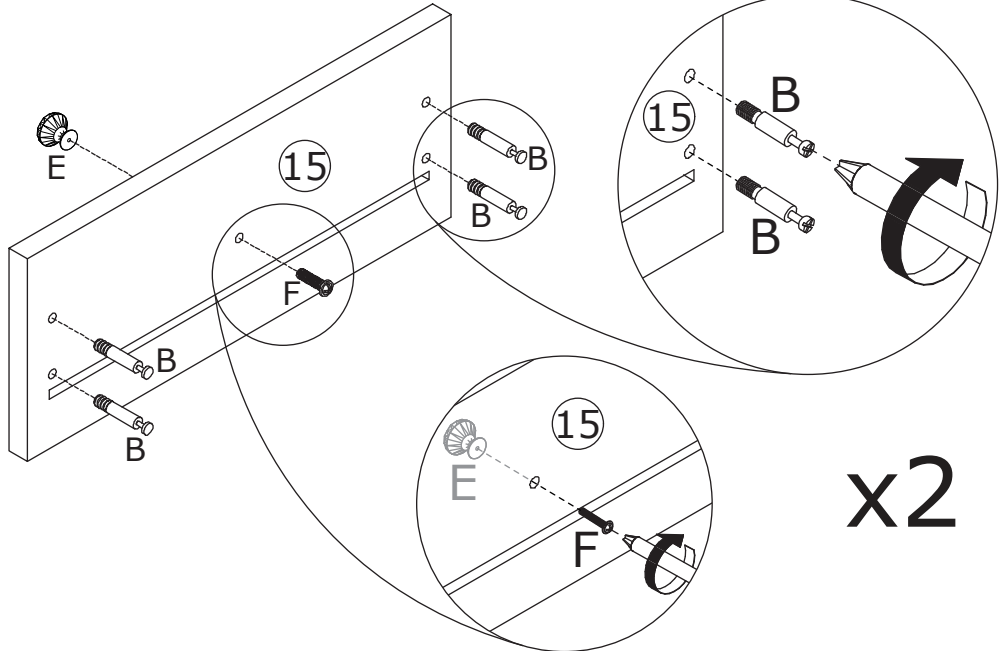
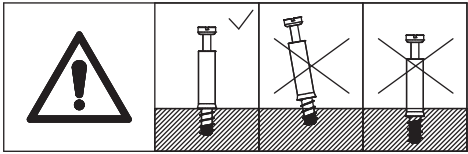


Fix board 21 to board 17 and 18 with screw(C) as shown.

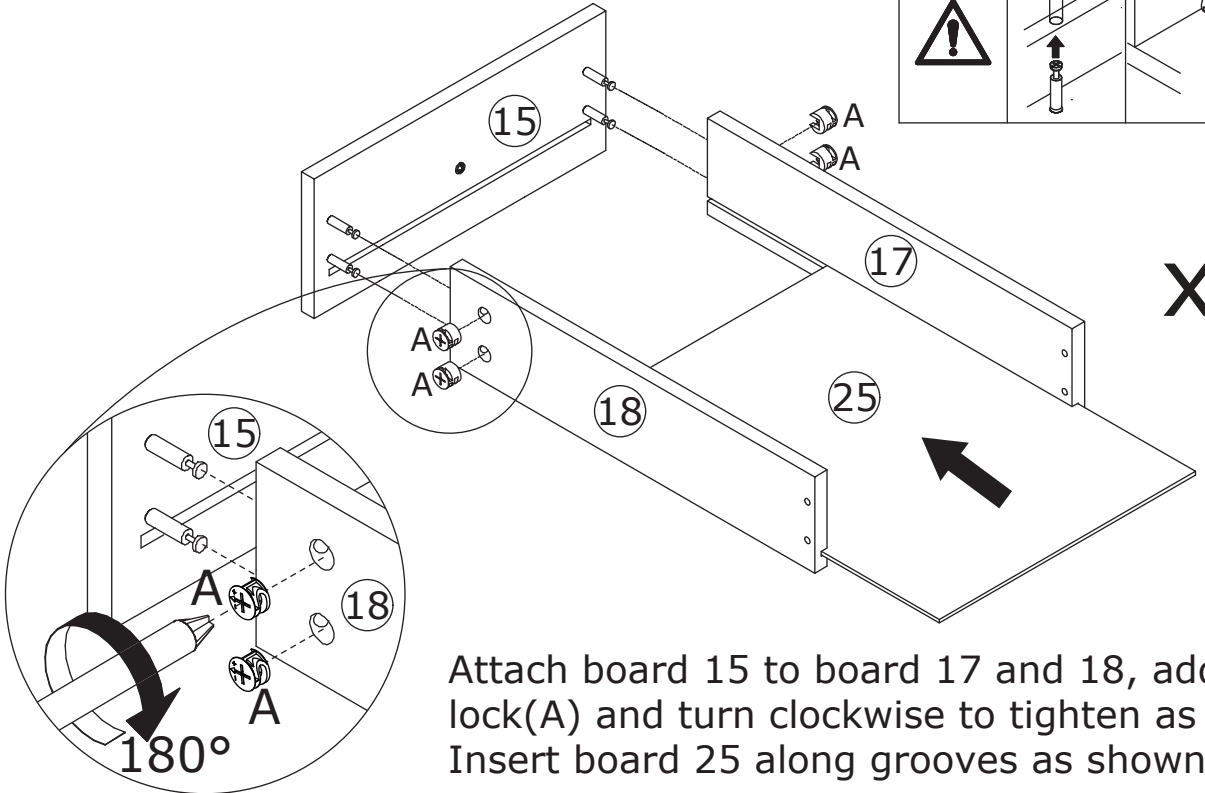
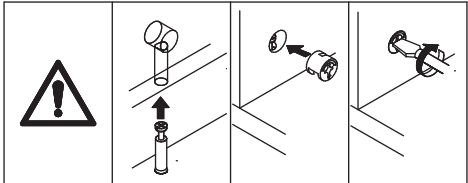
33



Insert quickfit screw(B) into board 15 as shown.
Fix knob(E) with screw(F).

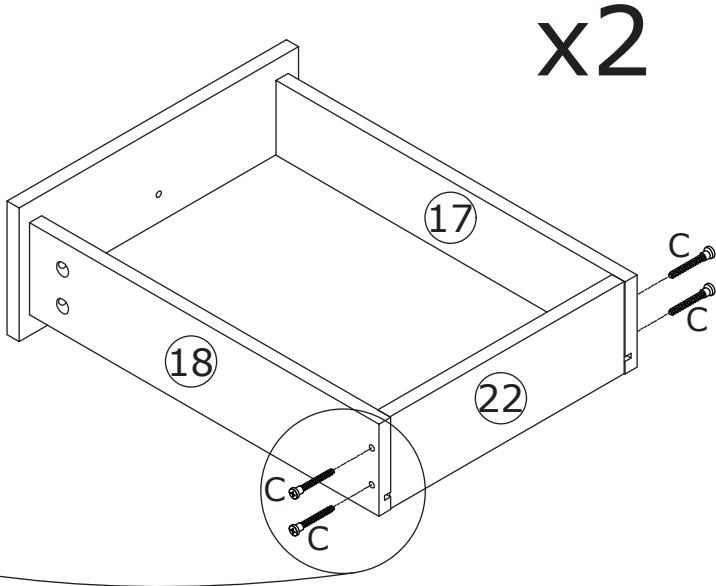
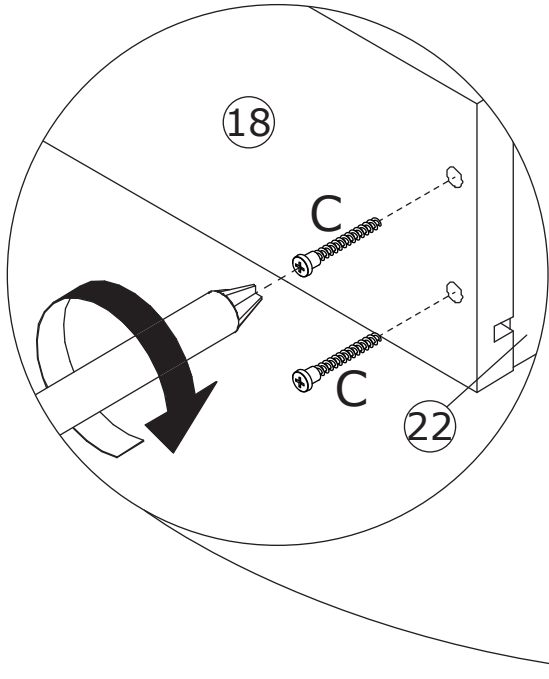
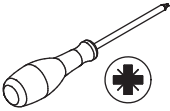


34



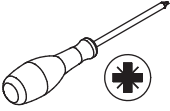
Attach board 15 to board 17 and 18, add cam lock(A) and turn clockwise to tighten as shown.
Insert board 25 along grooves as shown.

35

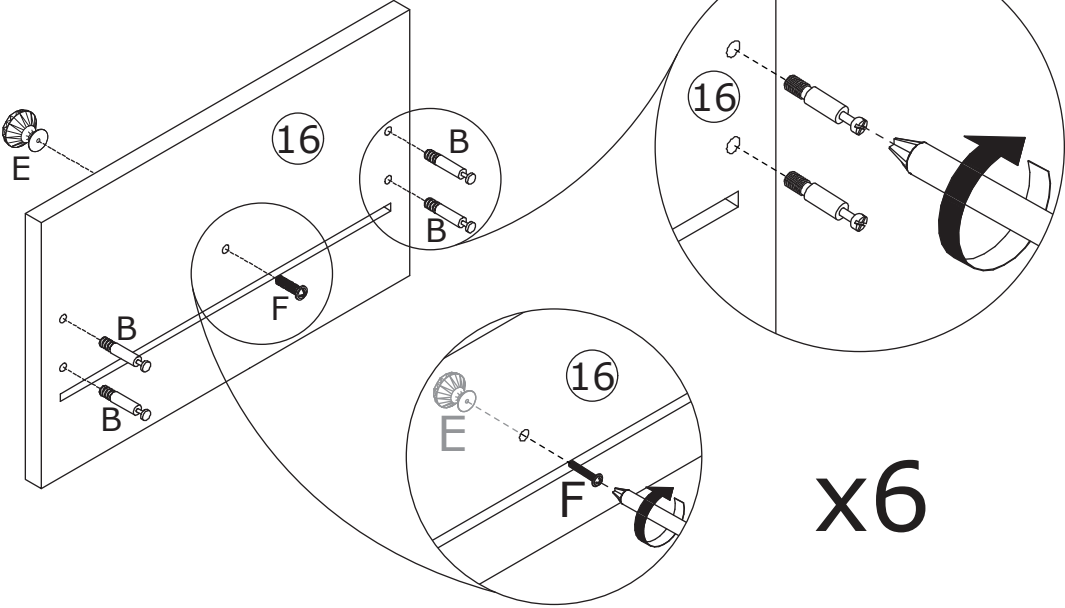
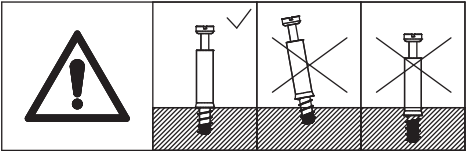


Fix board 22 to board 17 and 18 with screw(C) as shown.

36

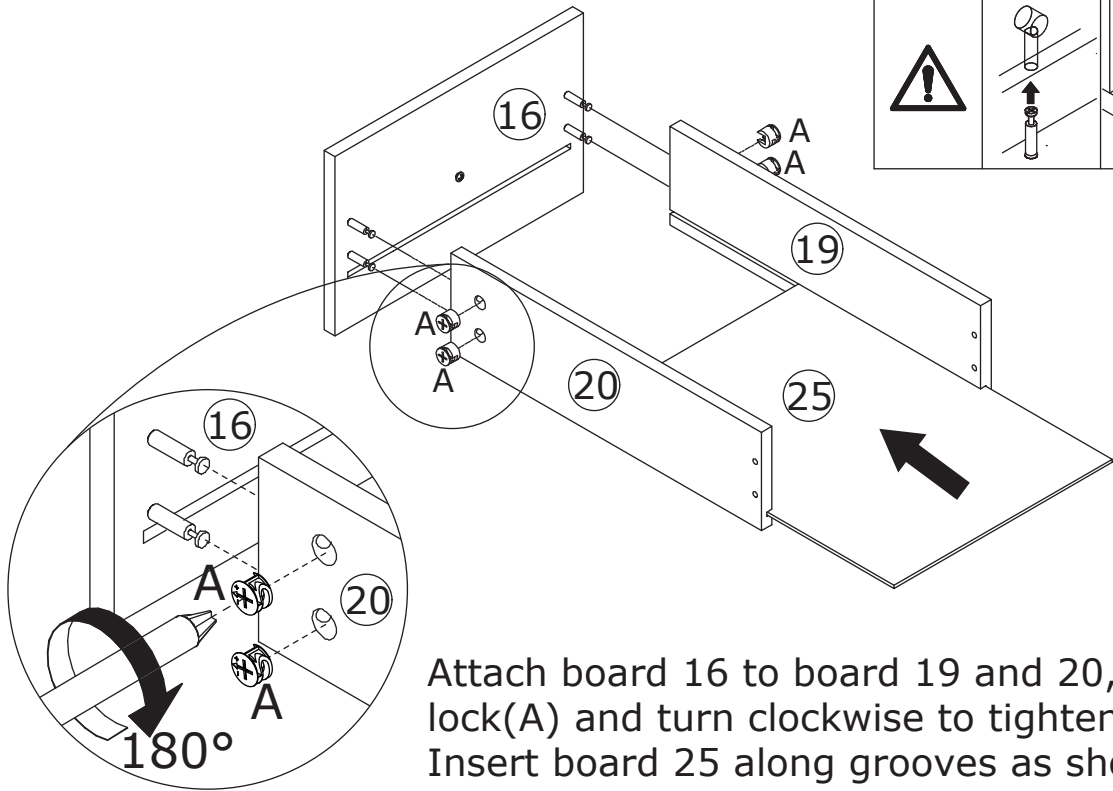
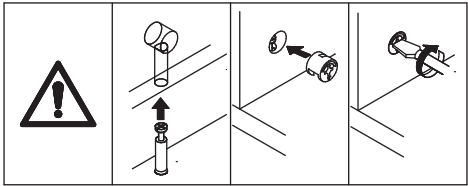
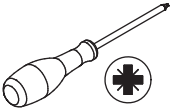


Insert quickfit screw(B)
into board 16 as shown.
Fix knob(E) with screw(F).



37

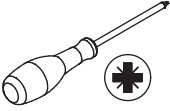
A x 24
CRB1295A



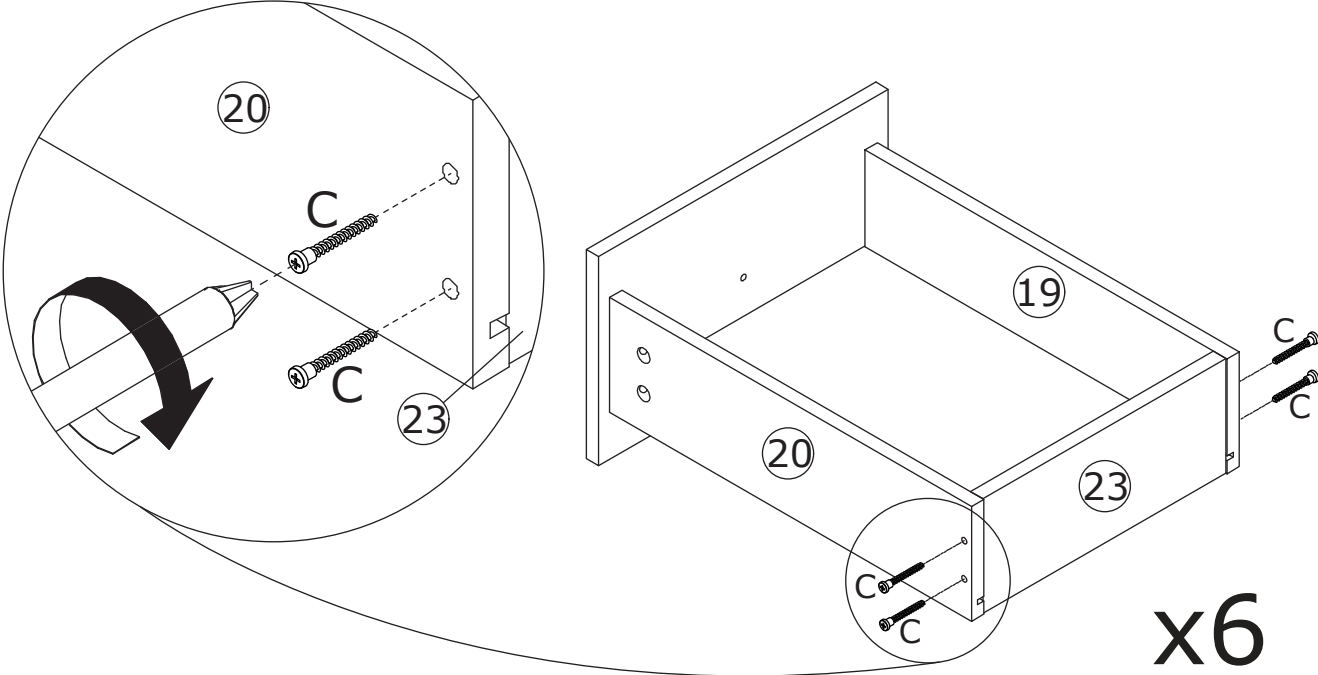
Attach board 16 to board 19 and 20, add cam lock(A) and turn clockwise to tighten as shown. Insert board 25 along grooves as shown.

38

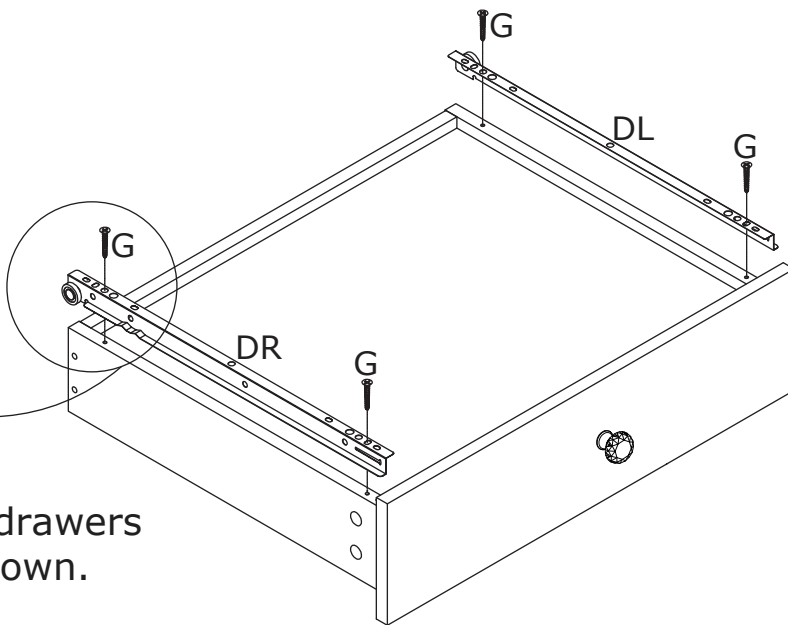
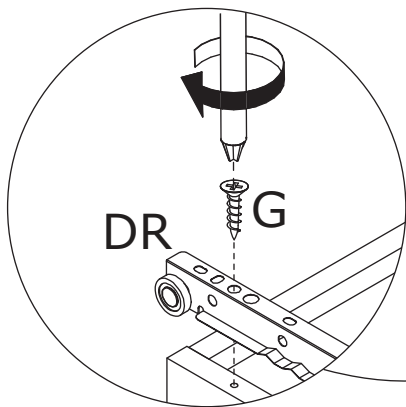
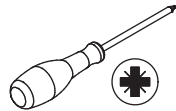
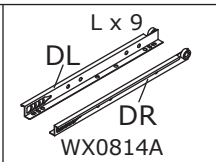
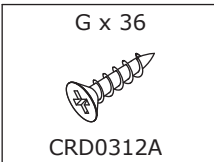
C x 24
CRC0540A



Fix board 23 to board 19 and 20 with screw(C) as shown.



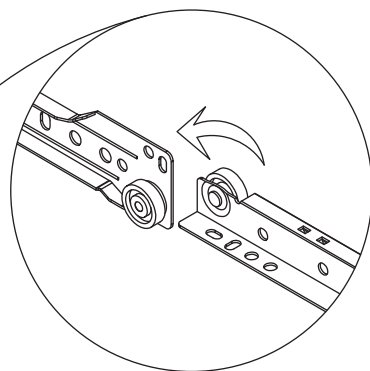
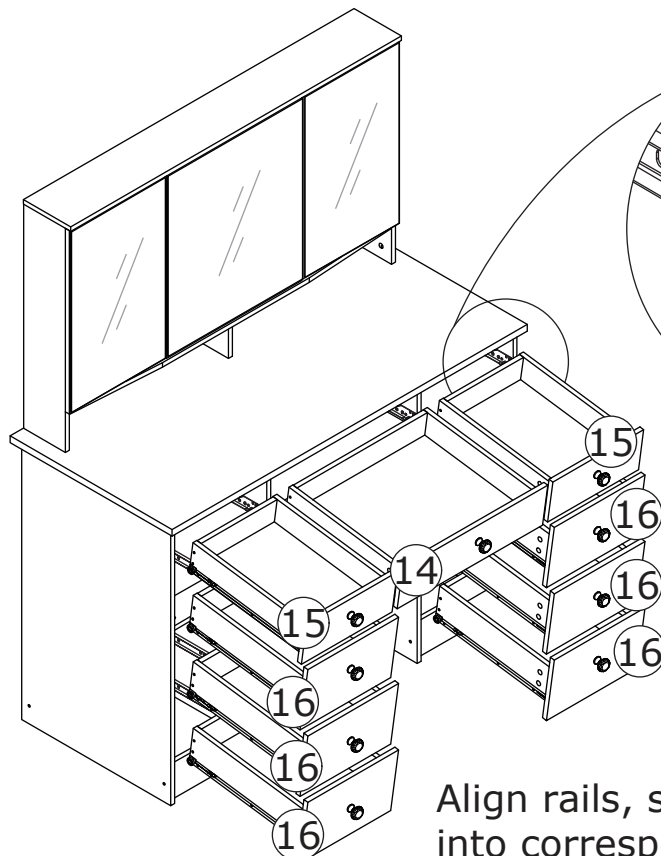
39



Fix runner(L) to all drawers with screw(G) as shown.

x9

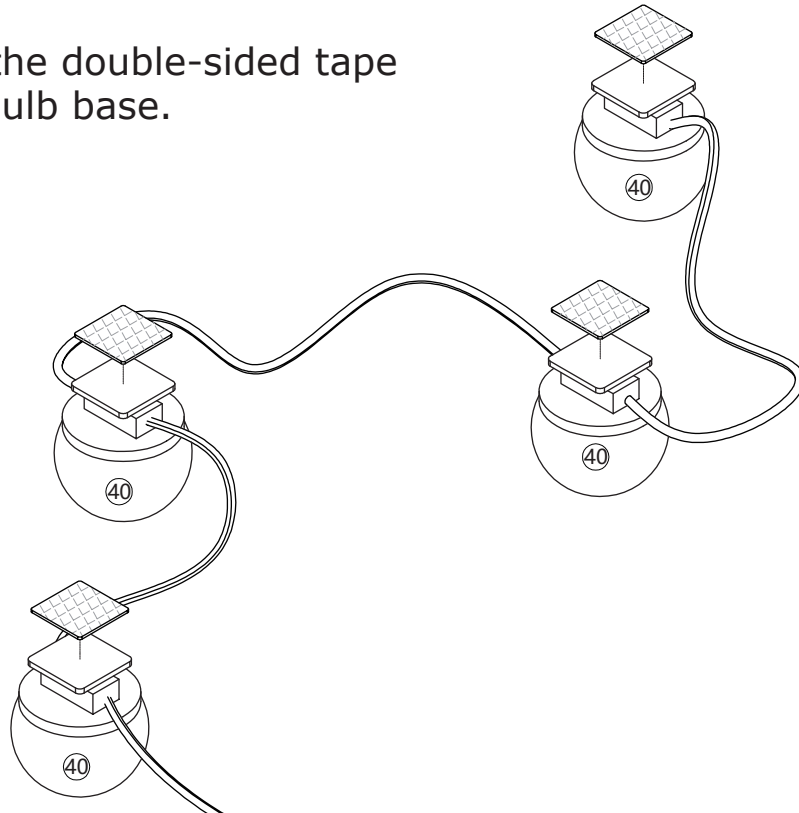
40



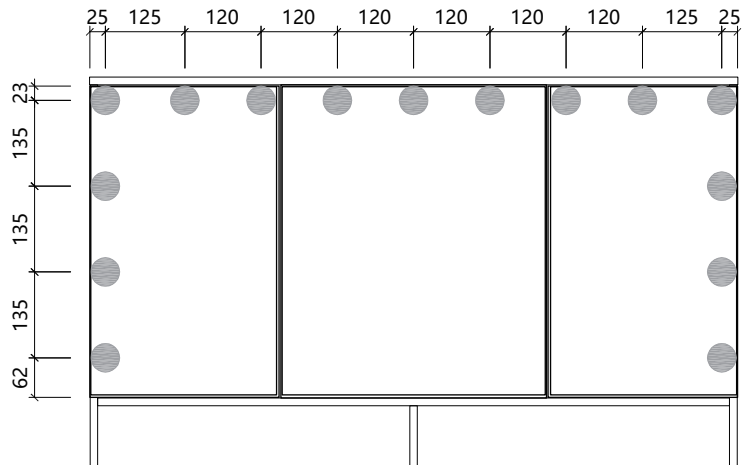
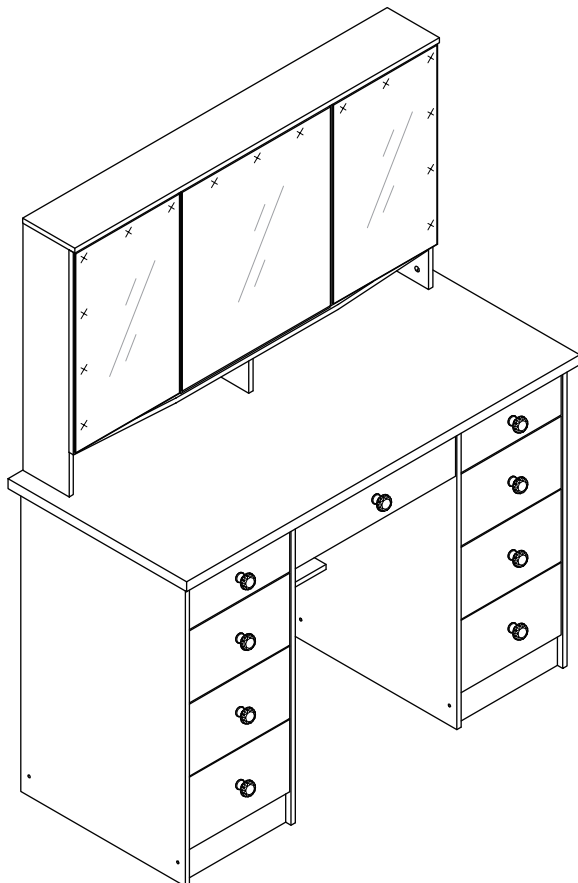
Align rails, slide all drawers into corresponding positions.

41

Attach the double-sided tape to the bulb base.



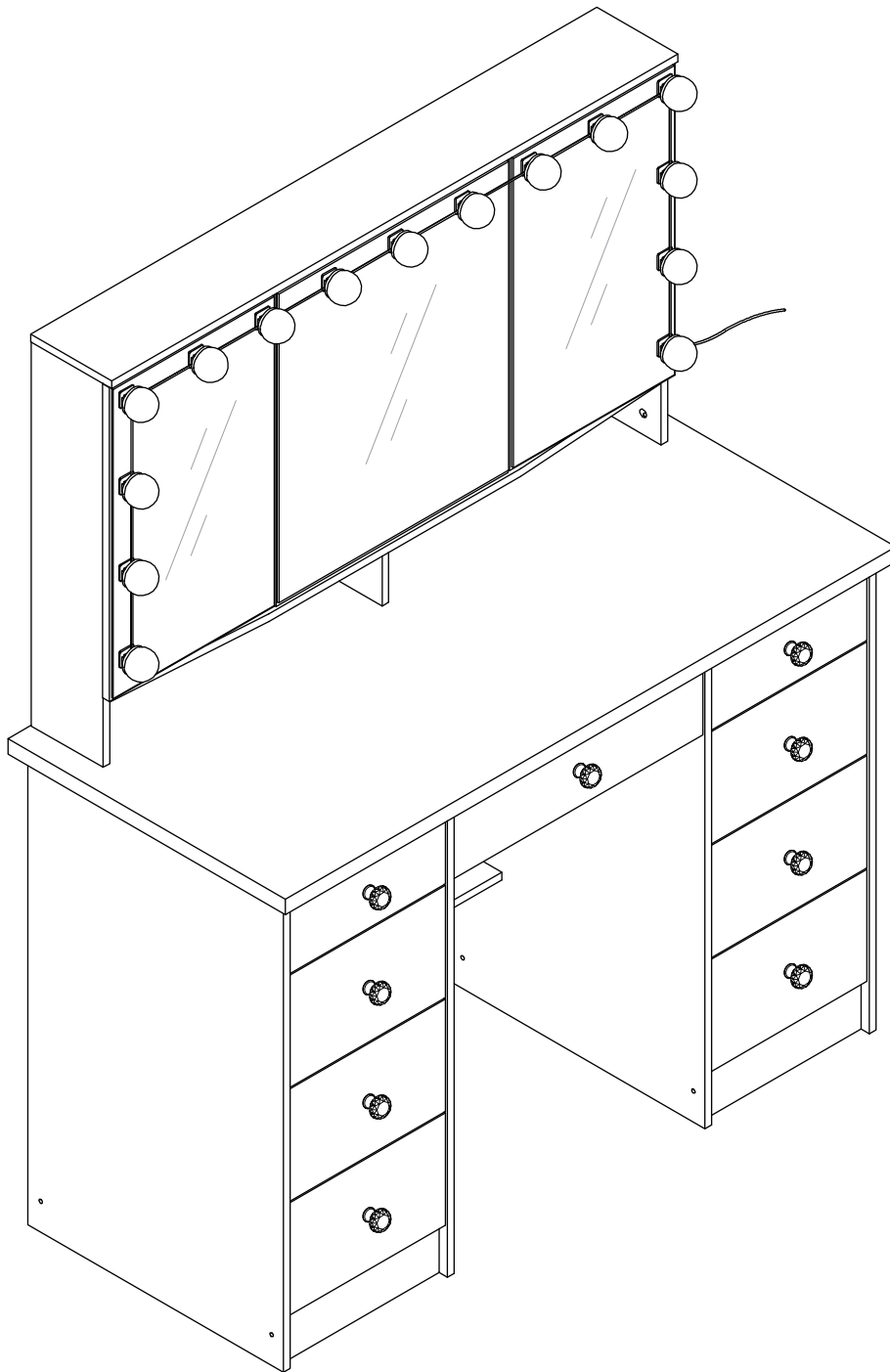
42



Mark the position of the bulb on the mirror plate according to the size in the picture.

43

Stick bulb to corresponding positions on mirror plate.



WARRANTY

WARRANTY CLAIMS

- There is a 30-day warranty for broken furniture or any other problems that do not work properly. The warranty will start from the date of purchase which must be verified by proof of purchase.
- Before making a claim, we may be able to answer your query, simply call us. Please leave your purchase order number, along with some details of the problem, if you want a replacement part. We will arrange within 48 hours. If there is out of stock, we will reply with a shipping date.
- The product must be used in accordance with the instructions provided. For health reasons.
- For other reasons, if the furniture needs to be returned, it must be cleaned and dried and operated within 30 days of receipt.

Type of Warranty Claim

- Failure to follow the furniture instructions will invalidate the warranty. Attention please.
- Does not include damage during installation, but includes damage during transportation.

Scope of responsibility

- Shall not bear any responsibility for misuse or user damage and / or loss of parts during the installation of furniture.
- After using, the damage and scratches of the furniture are not covered by the warranty.

The Warranty Relates to All Bought in The Us and Covers The Following Areas

- Sheet parts: 1 month from the date of purchase.
- Electrical parts: 1 month from the date of purchase.