

Model : Henry Queen Bed

Thank you for purchasing our product!

Before you start , here is some helpful advice :

1. We suggest you spend a short time reading through this leaflet and then follow the simple step by step instructions.
2. Owing to the size and weight of the product, we recommend that it is assembled by two adults, on a carpeted or padded area, in the room that it is intended for . Approximate assembly time: 30 minutes.
3. Please do not use any tools other than those provided or recommend in these instruction.
4. Please do not throw away any of the packaging or instructions until you have checked all the components and hardware and the furniture is fully assembled.
5. Assemble all components loosely until advised to tighten. Depending on use it may be necessary to tighten the components from time to time, so please save the tools that have been provided.
6. Please keep all pieces out of reach of small children.

ASSEMBLY COMPLETED



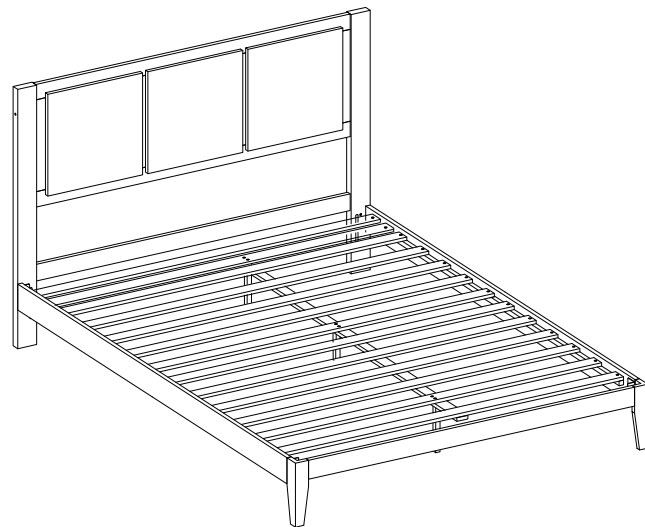
Please ensure the furniture rests on an even and flat surface. If the product wobbles or feels loose, double check all bolts and/or screws are properly tightened and seated.

Keep this handy!

Please retain this instruction manual and any order-related information for future reference.

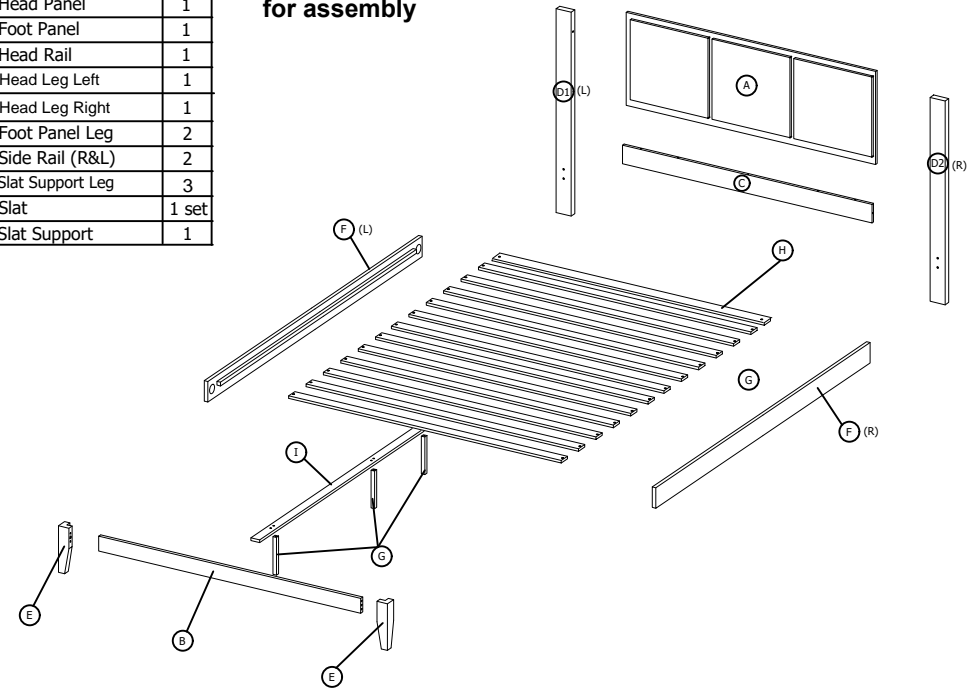


2 - Persons Recommended

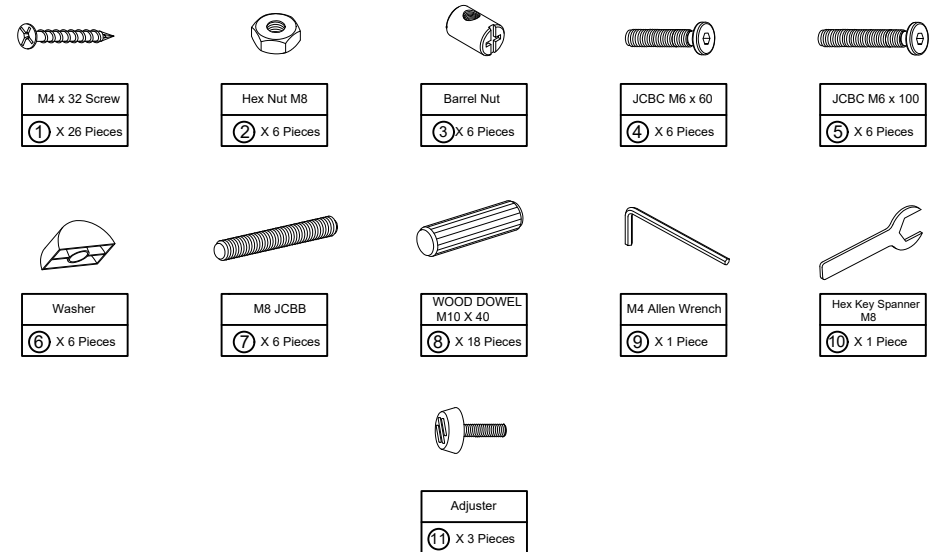


| Part NO: | Description | Qty |
|----------|------------------|-------|
| (A) | Head Panel | 1 |
| (B) | Foot Panel | 1 |
| (C) | Head Rail | 1 |
| (D1) | Head Leg Left | 1 |
| (D2) | Head Leg Right | 1 |
| (E) | Foot Panel Leg | 2 |
| (F) | Side Rail (R&L) | 2 |
| (G) | Slat Support Leg | 3 |
| (H) | Slat | 1 set |
| (I) | Slat Support | 1 |

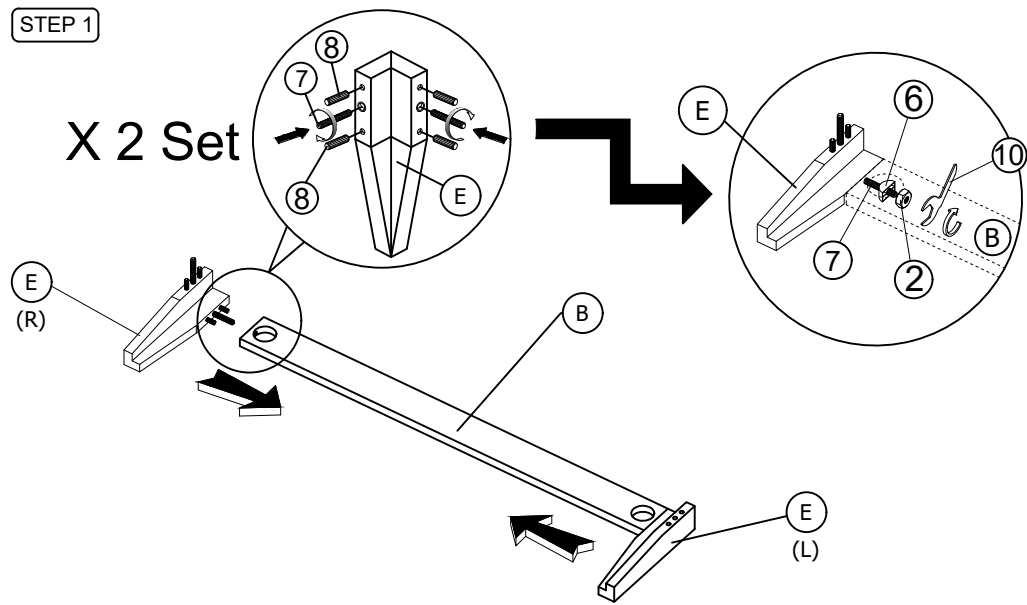
Parts supplied for assembly



Hardware supplied for assembly

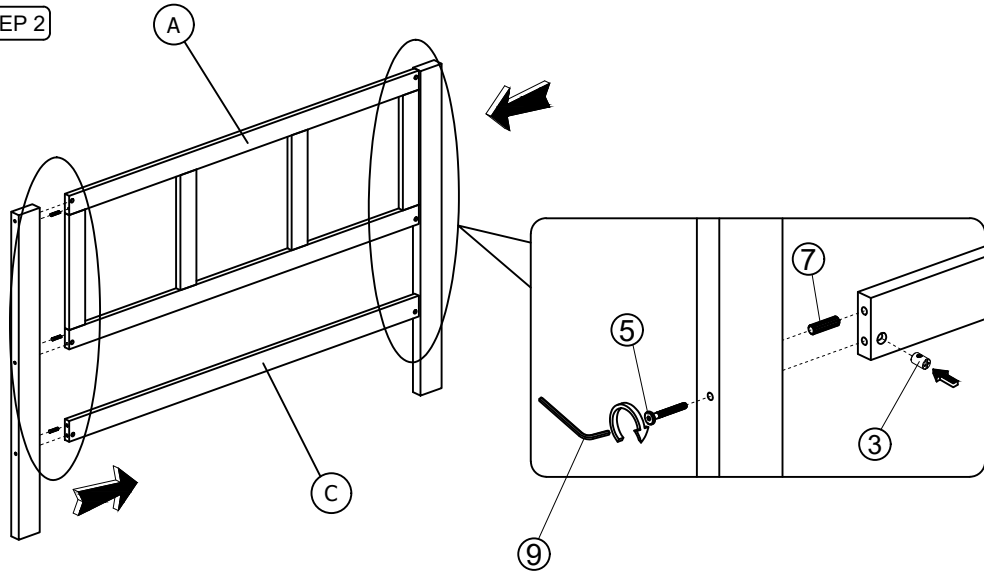


STEP 1



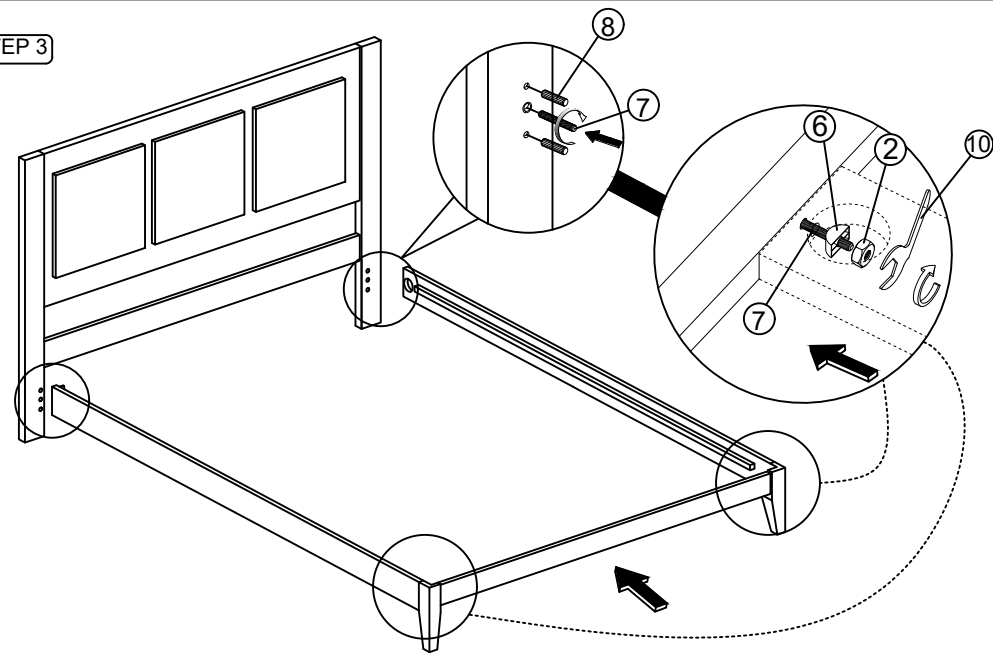
| | | | | |
|--------------|--------------|--------------|--------------|--------------|
| | | | | |
| 7 X 4 Pieces | 2 X 2 Pieces | 6 X 2 Pieces | 10 X 1 Piece | 8 X 8 Pieces |

STEP 2



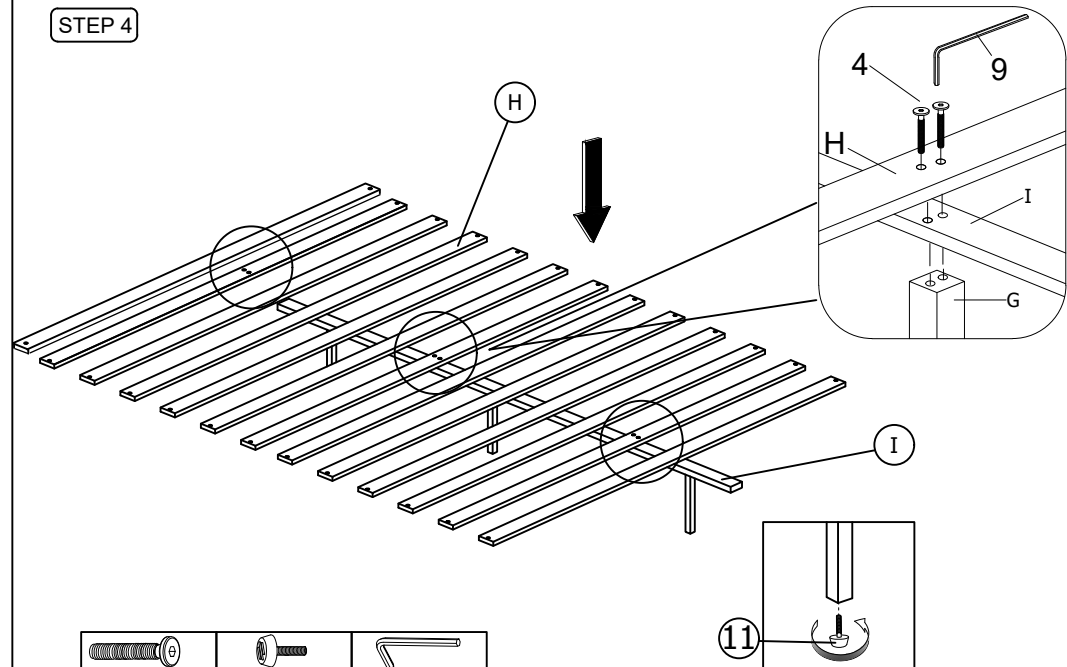
| | | | |
|--------------|--------------|--------------|-------------|
| | | | |
| 8 X 6 Pieces | 3 X 6 Pieces | 5 X 6 Pieces | 9 X 1 Piece |

STEP 3



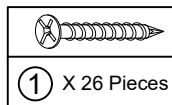
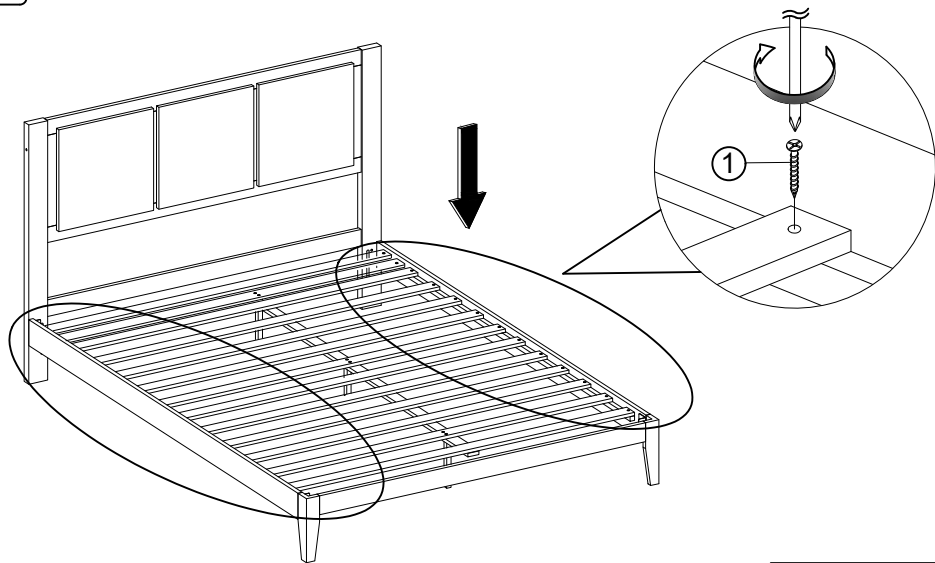
| | | | | |
|--------------|--------------|--------------|--------------|--------------|
| | | | | |
| 7 X 2 Pieces | 2 X 4 Pieces | 6 X 4 Pieces | 10 X 1 Piece | 8 X 4 Pieces |

STEP 4



| | | |
|--------------|---------------|-------------|
| | | |
| 4 X 6 Pieces | 11 X 3 Pieces | 9 X 1 Piece |

STEP 5



STEP 6

