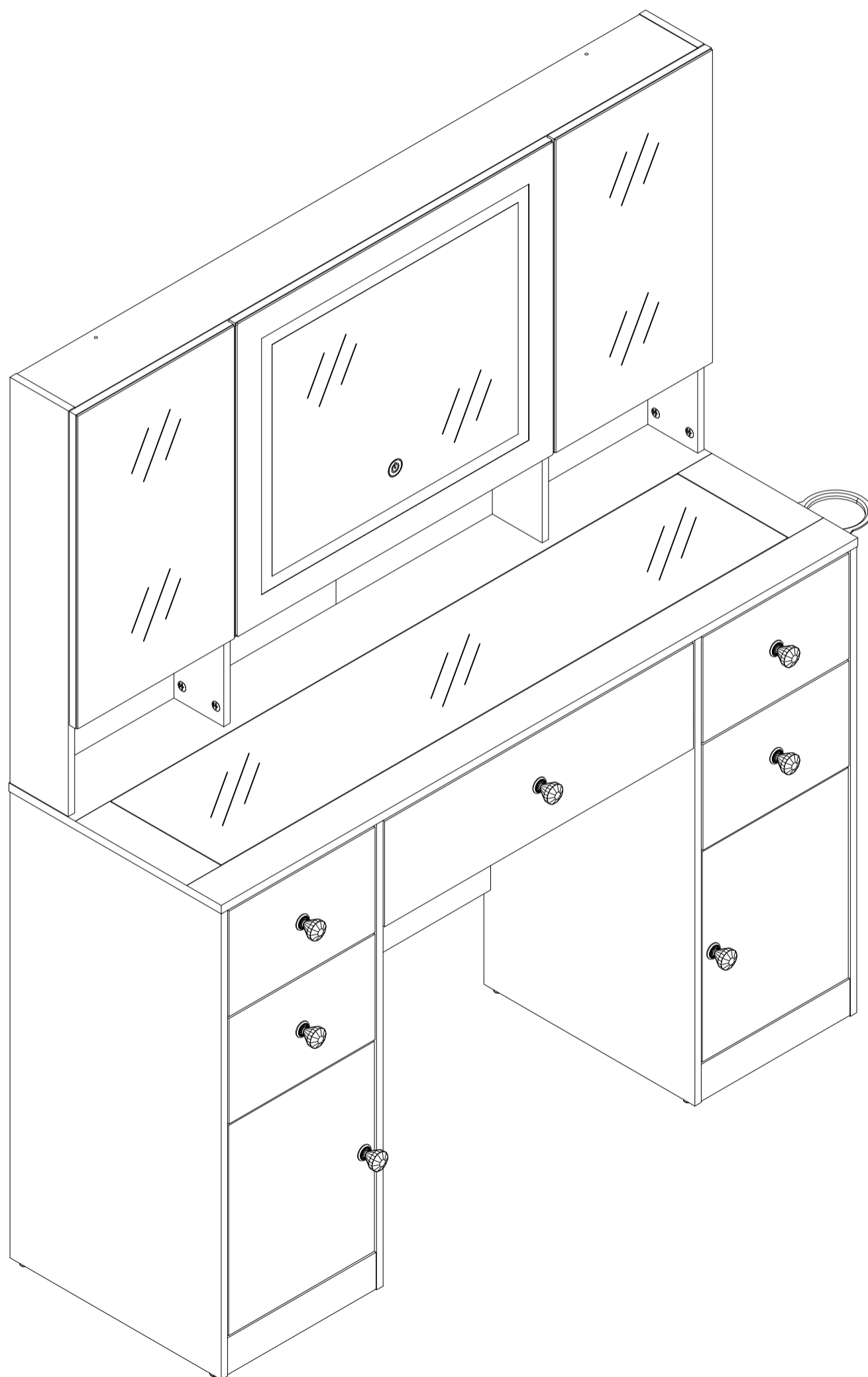
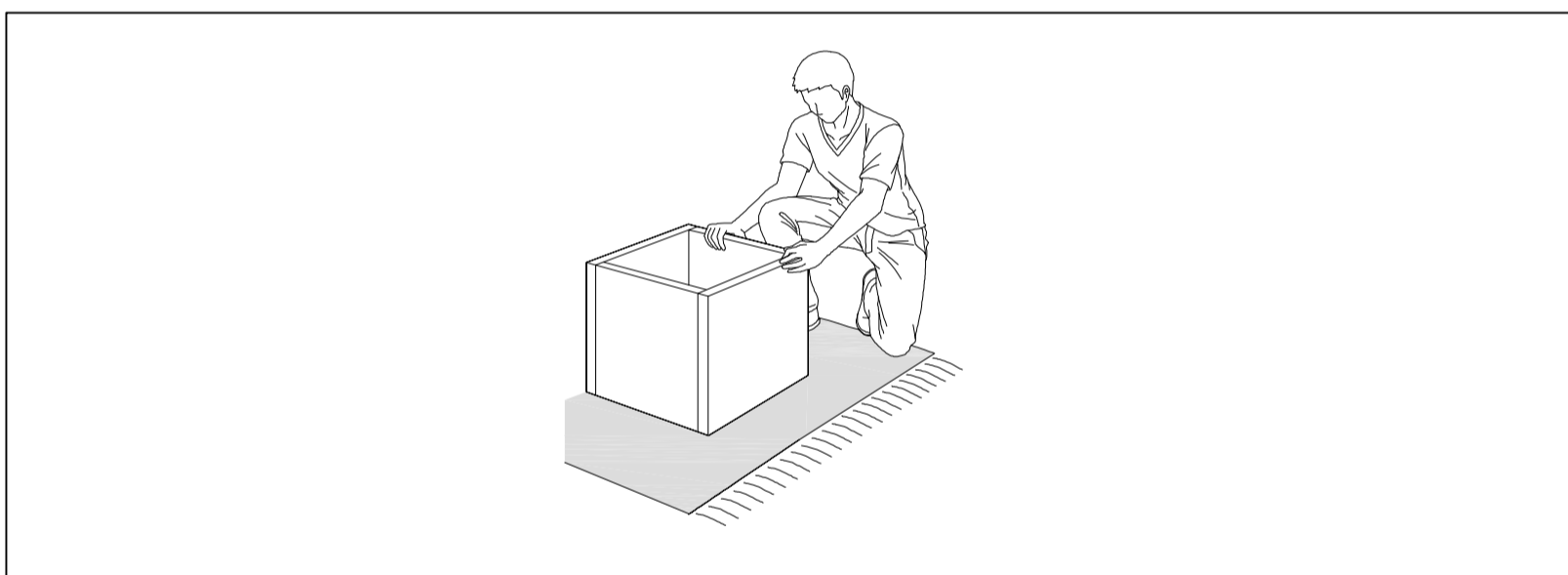
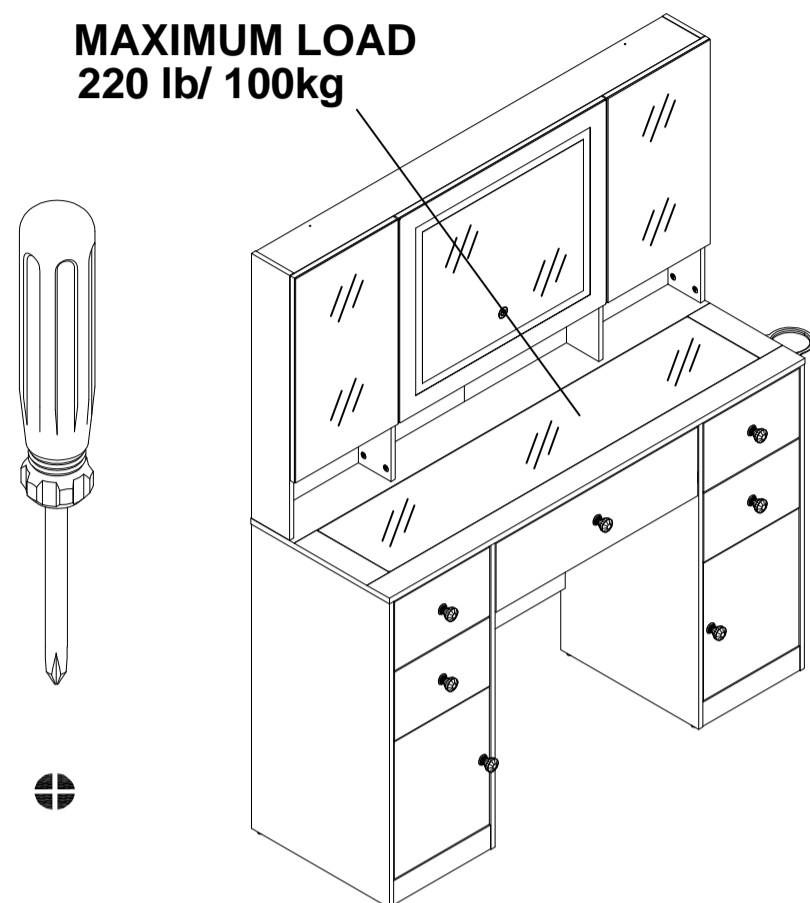


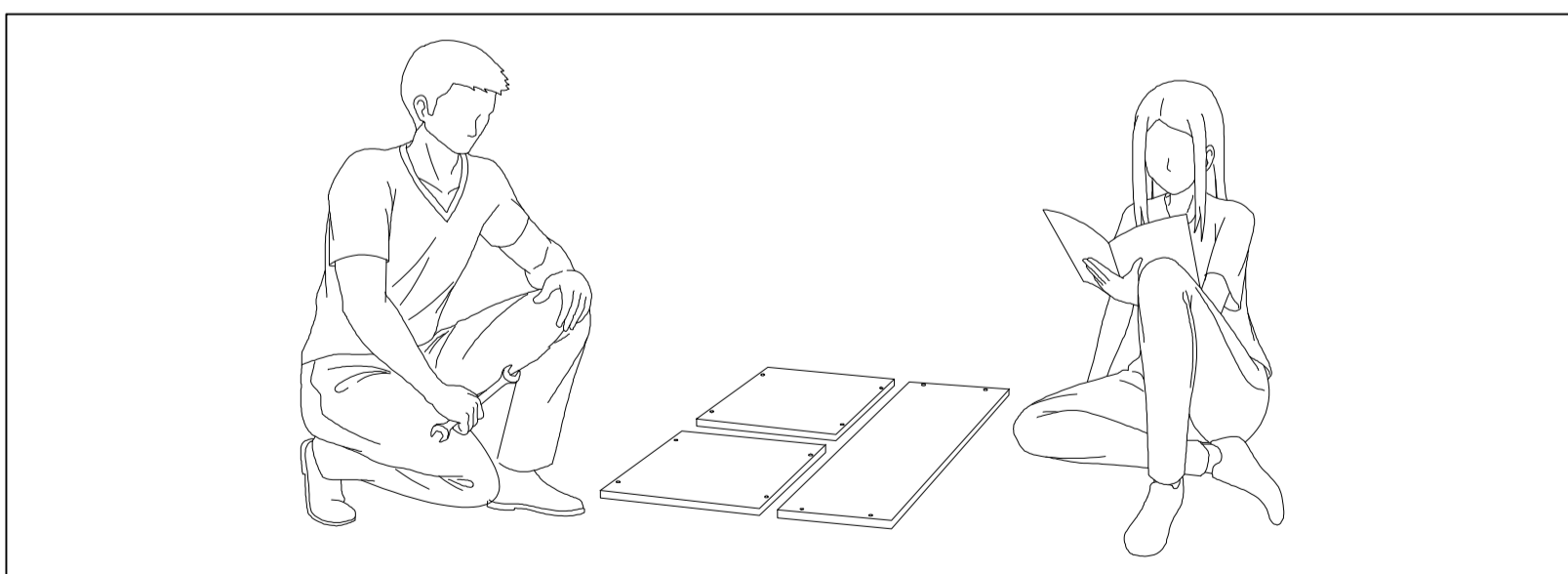
ASSEMBLY INSTRUCTIONS



WARNING !



Assembly the furniture on empty carton, carpet, or rug to prevent scratches or damage.

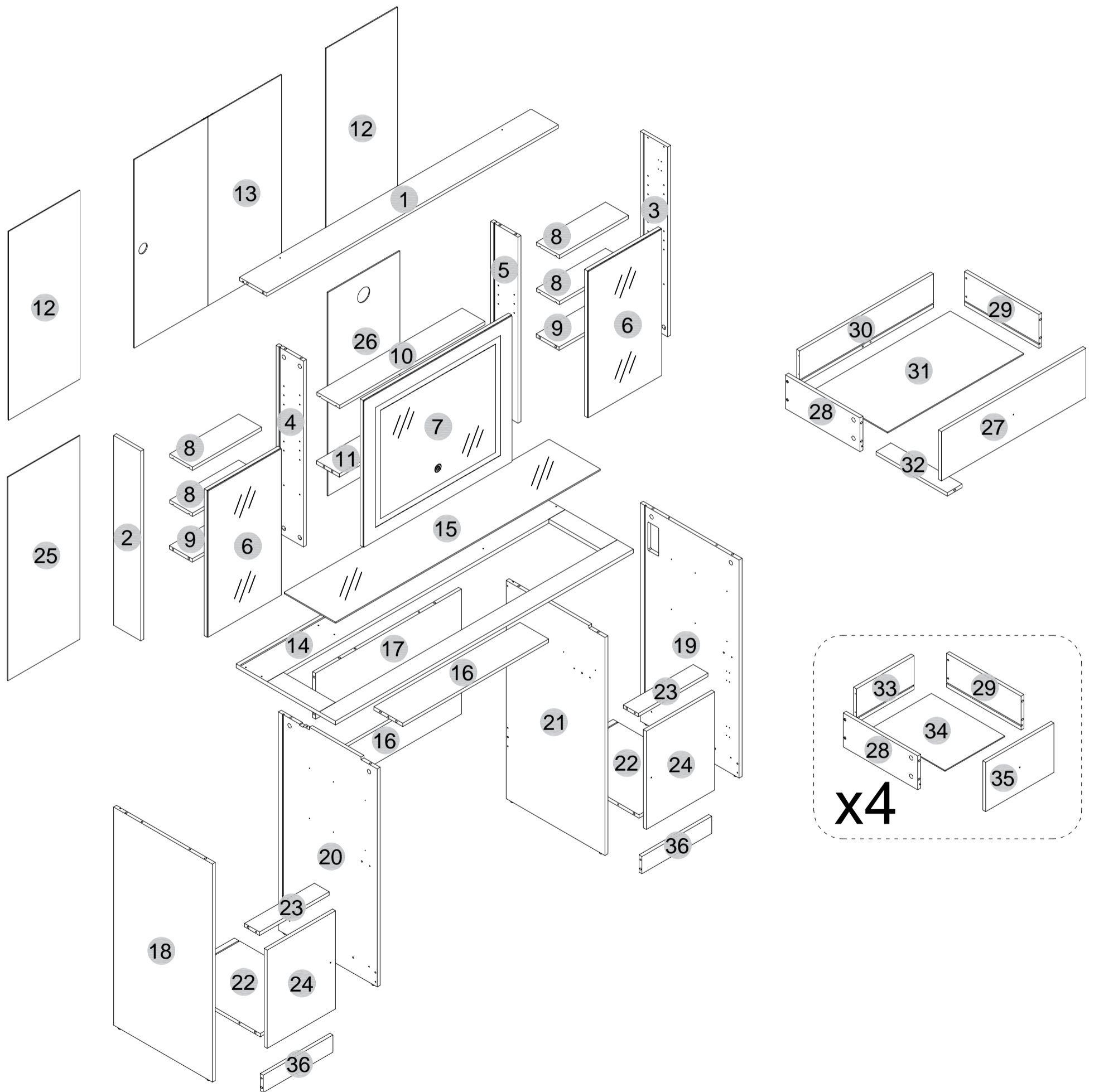


This furniture requires 2 people to assembly.

Make sure no parts are missing or damaged before assembly.

Board Identification

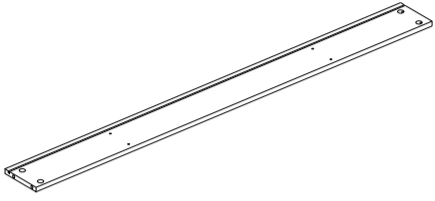
Not actual size



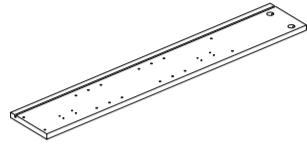
BOARD IDENTIFICATION



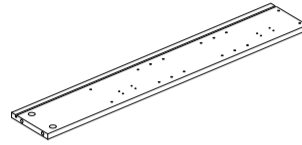
Not actual size



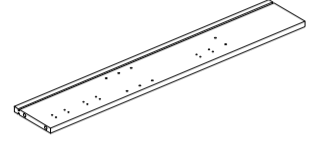
1 x1



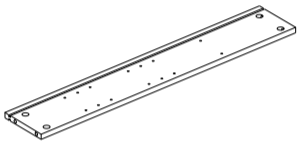
2 x1



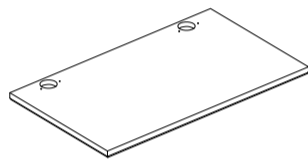
3 x1



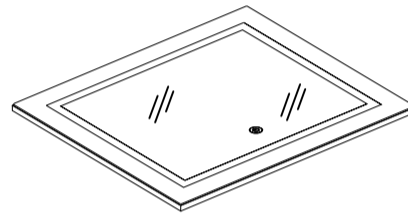
4 x1



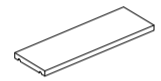
5 x1



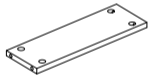
6 x2



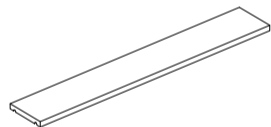
7 x1



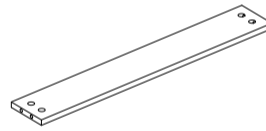
8 x4



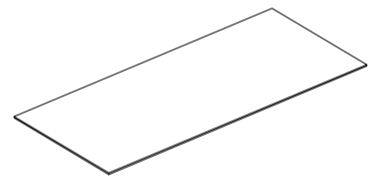
9 x2



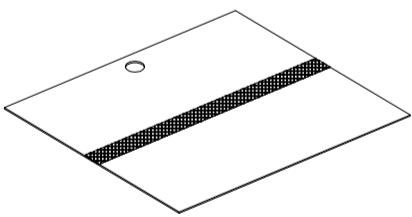
10 x1



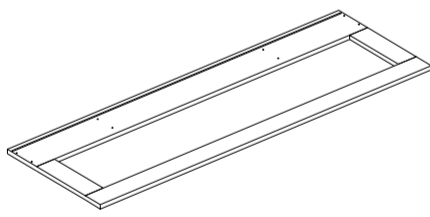
11 x1



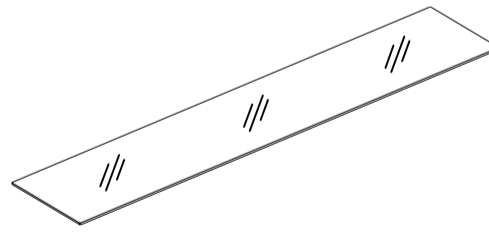
12 x2



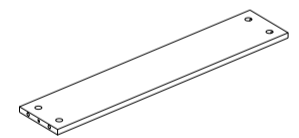
13 x1



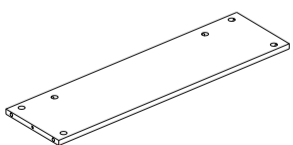
14 x1



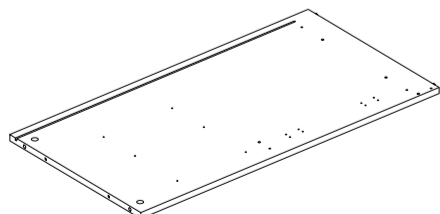
15 x1



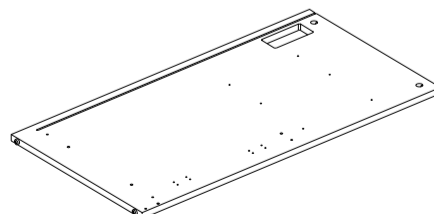
16 x2



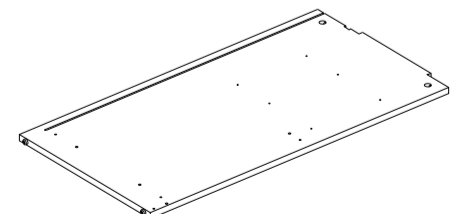
17 x1



18 x1



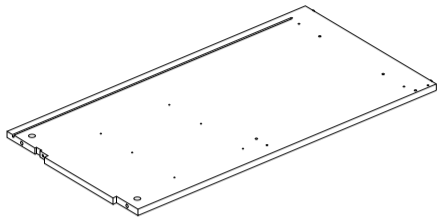
19 x1



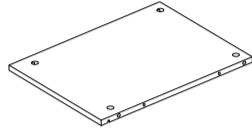
20 x1

BOARD IDENTIFICATION

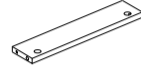
Not actual size



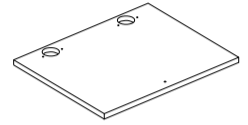
21 x1



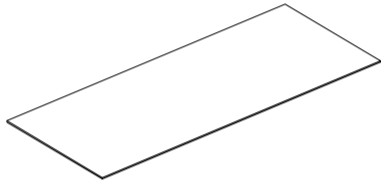
22 x2



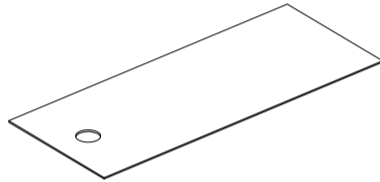
23 x2



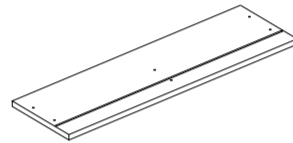
24 x2



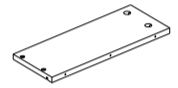
25 x1



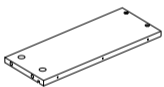
26 x1



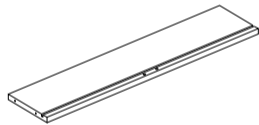
27 x1



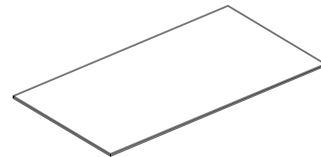
28 x5



29 x5



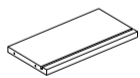
30 x1



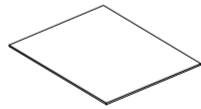
31 x1



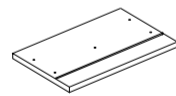
32 x1



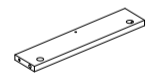
33 x4



34 x4

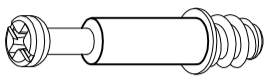
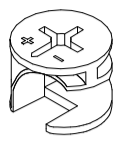
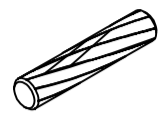
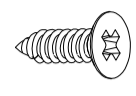
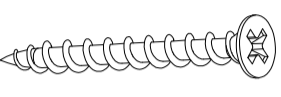
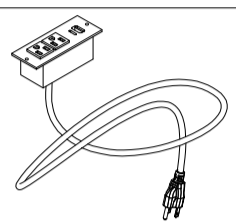
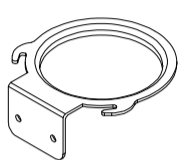
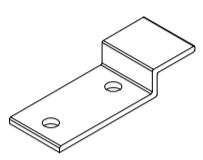
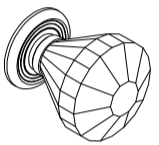
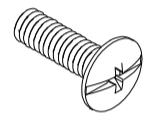
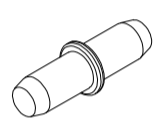
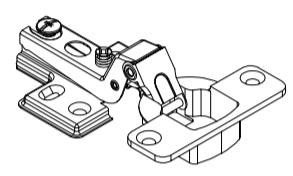
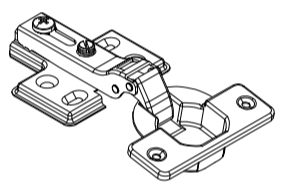
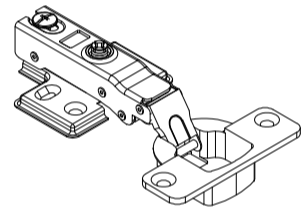
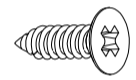
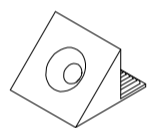
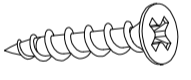
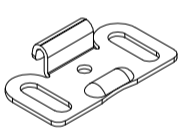
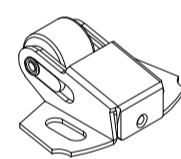
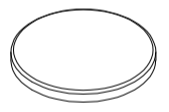
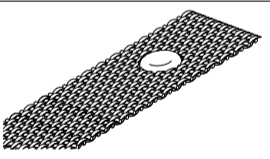

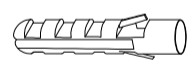



35 x4



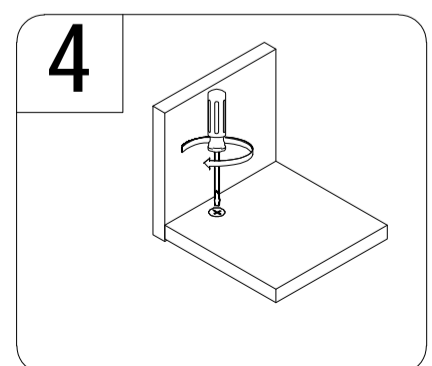
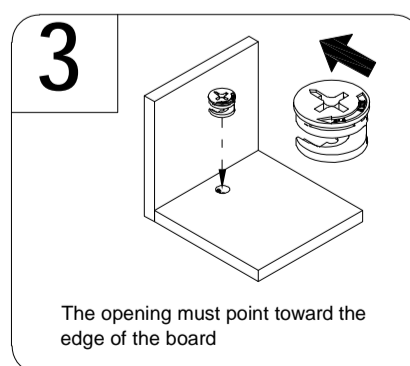
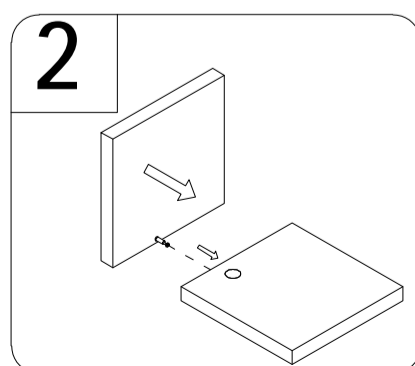
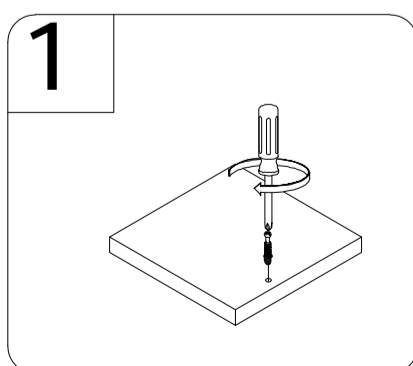
36 x2

HARDWARE LIST

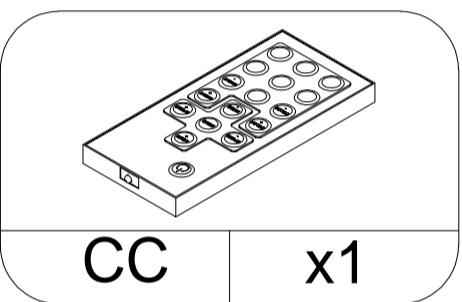
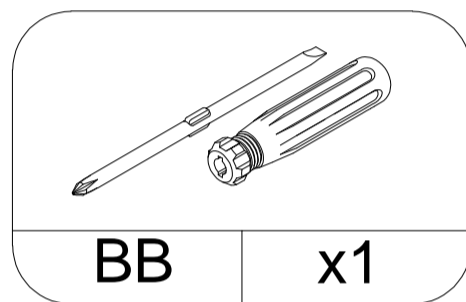
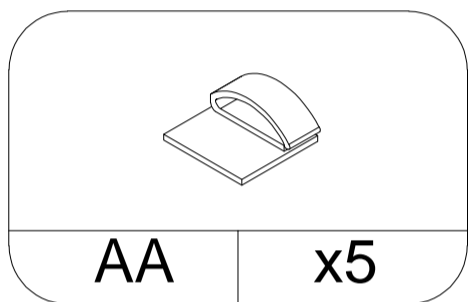
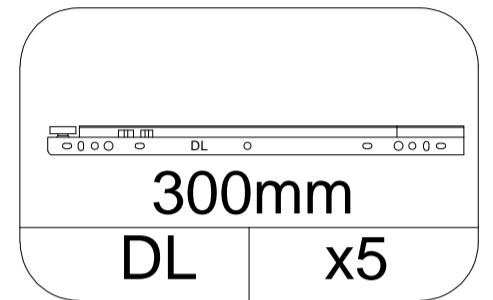
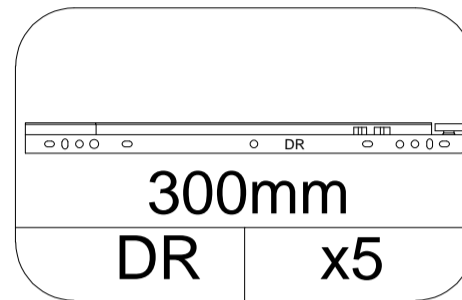
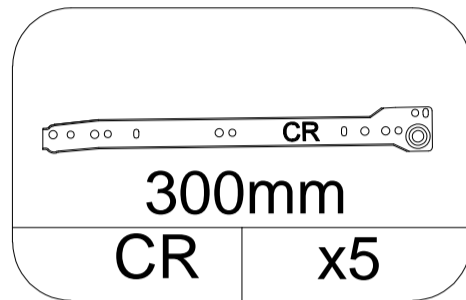
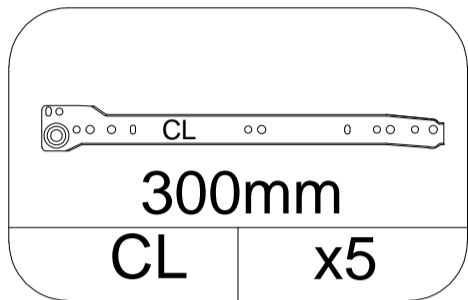
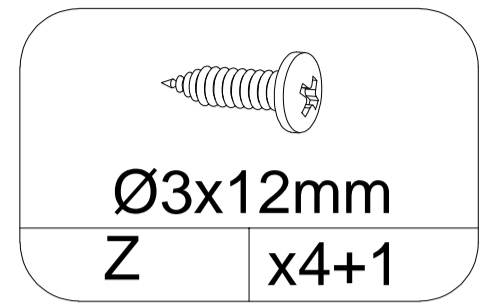
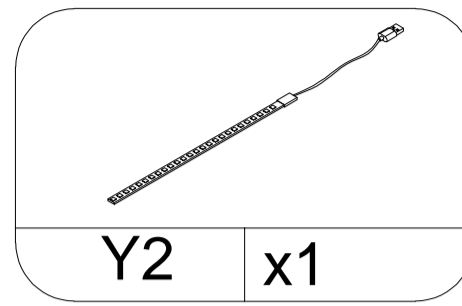
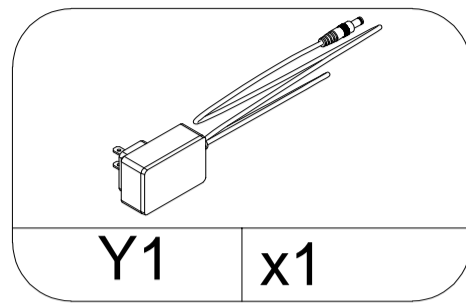
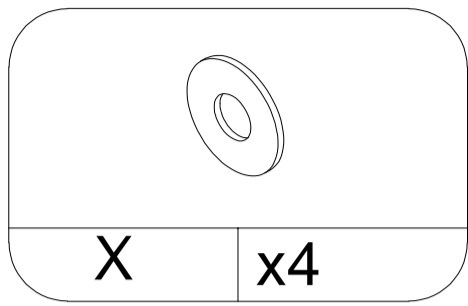
| | | | | | | | |
|--|------------------|---|-------------------|---|--------------------|--|--------------------|
|  A | x89+3 |  B | Ø15x9mm x89+3 |  C | Ø6x30mm x30+2 |  D | Ø3.5x12mm x72+3 |
|  E | Ø4x38mm x22+2 |  F | x1 |  G | x1 |  H | x4 |
|  I | x7 |  J | 5/32x16mm x7+1 |  K | x20+2 |  L | x4 |
|  M | x3 |  N | x4 |  O | Ø3.5x12mm x66+3 |  P | x34+2 |
|  Q | Ø3x17mm x34+2 |  R1 | x1 |  R2 | x1 |  S | x12+1 |
|  T | 25x150mm x2 |  U | Ø4x30mm x2 |  V | 8x30mm x2 |  W | Ø4x12mm x2 |

Cam Lock Fastening System

Insert the cam bolt into the hole first, then insert the cam lock and lock it.

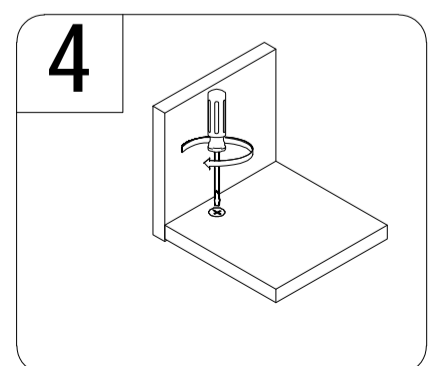
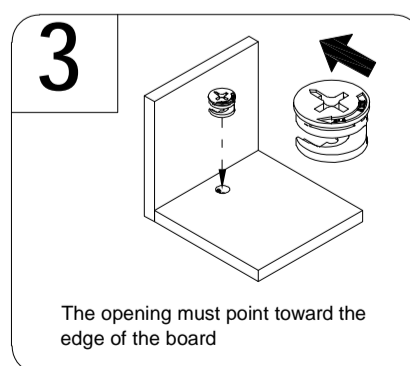
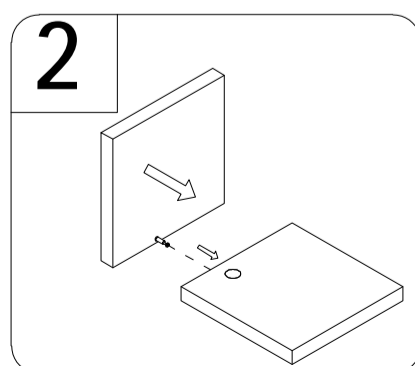
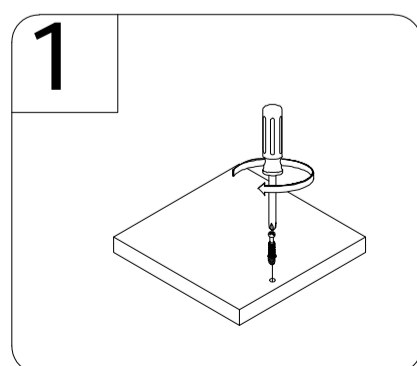


HARDWARE LIST

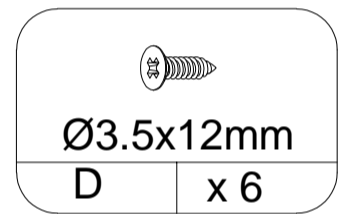
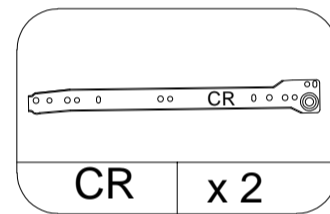
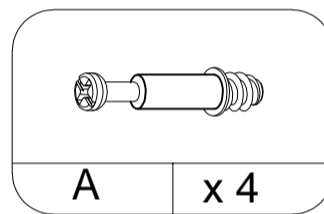
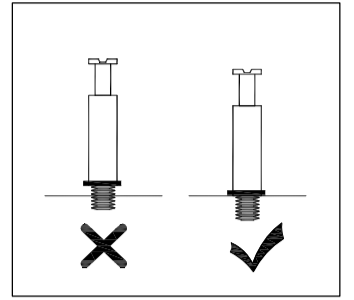
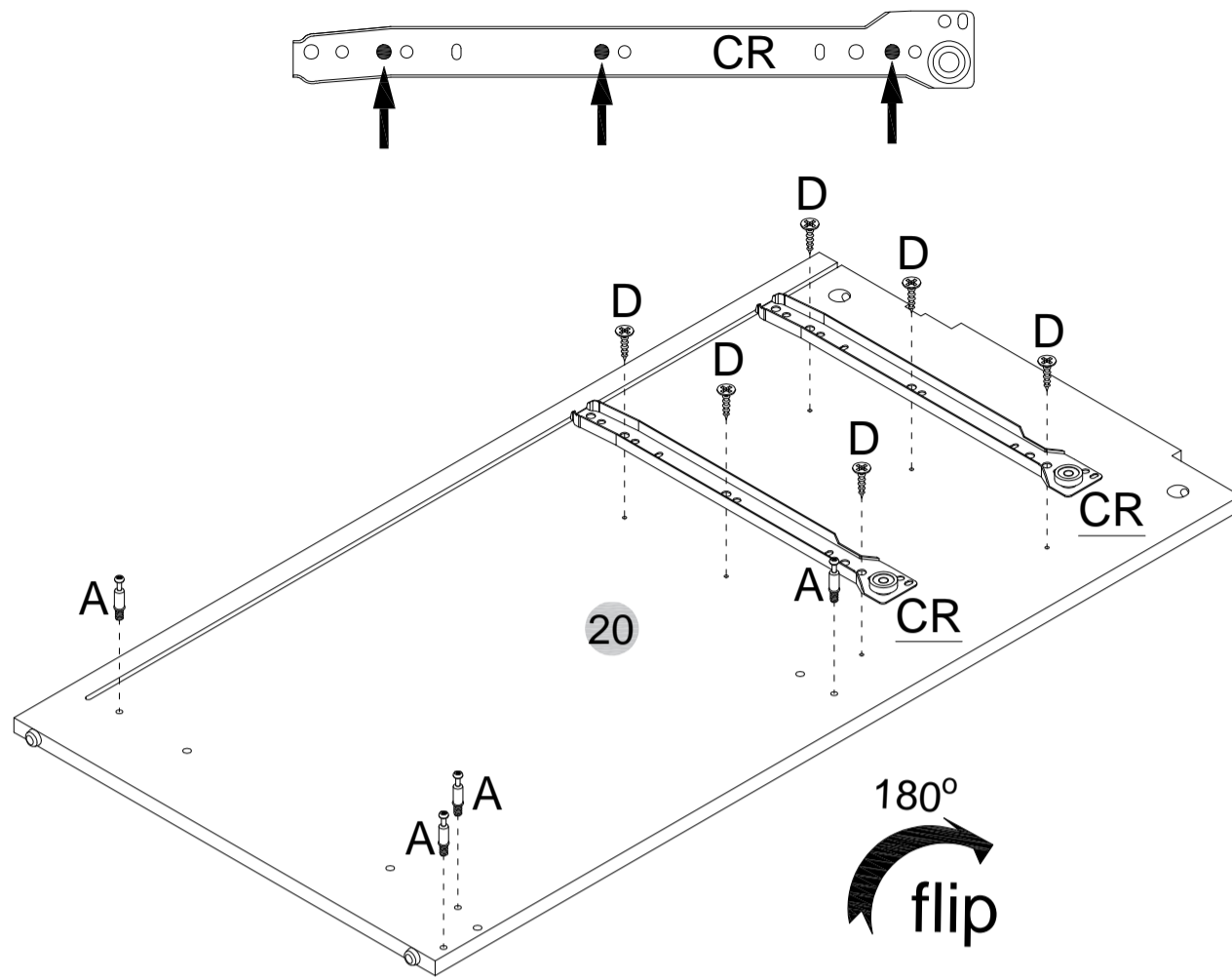


Cam Lock Fastening System

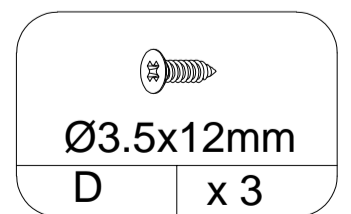
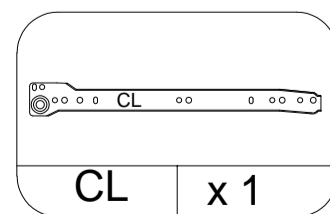
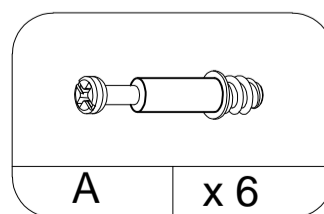
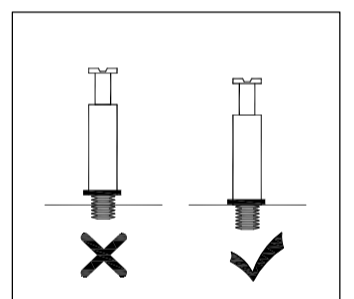
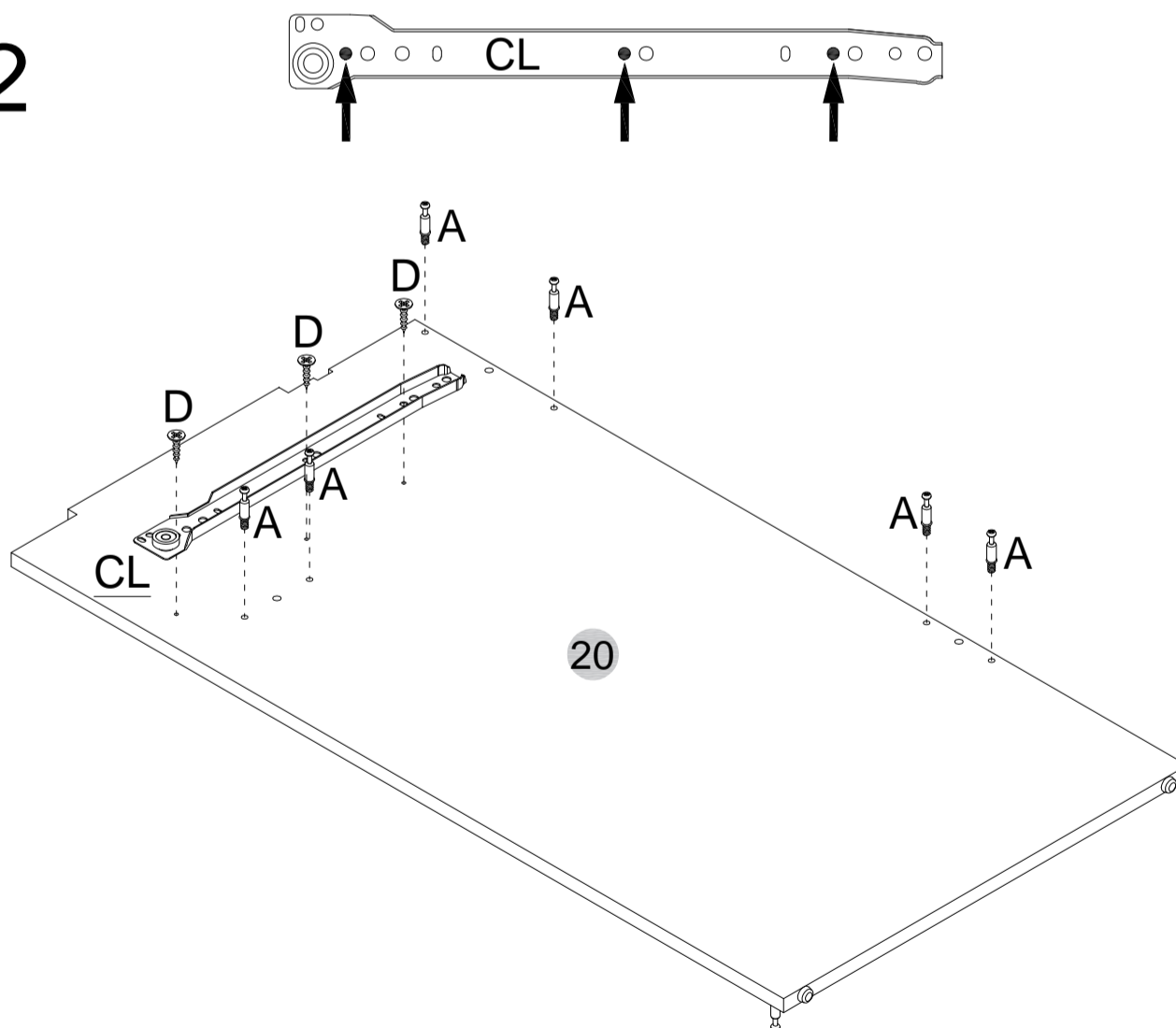
Insert the cam bolt into the hole first, then insert the cam lock and lock it.



STEP 1

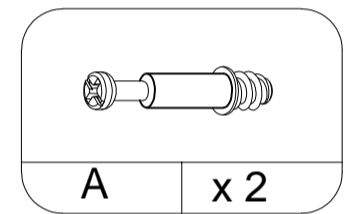
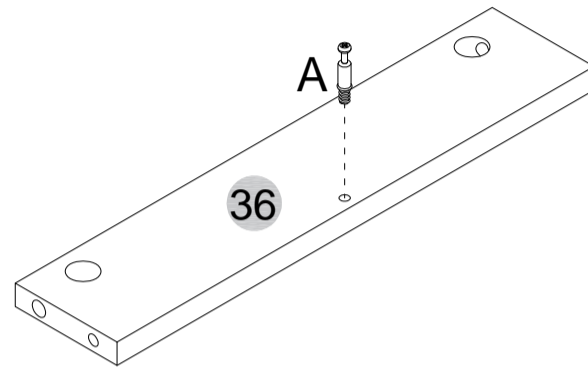
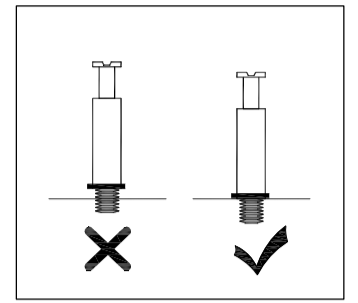


STEP 2



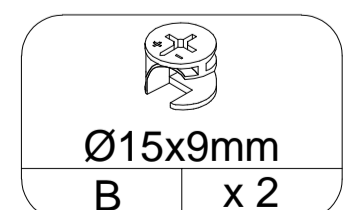
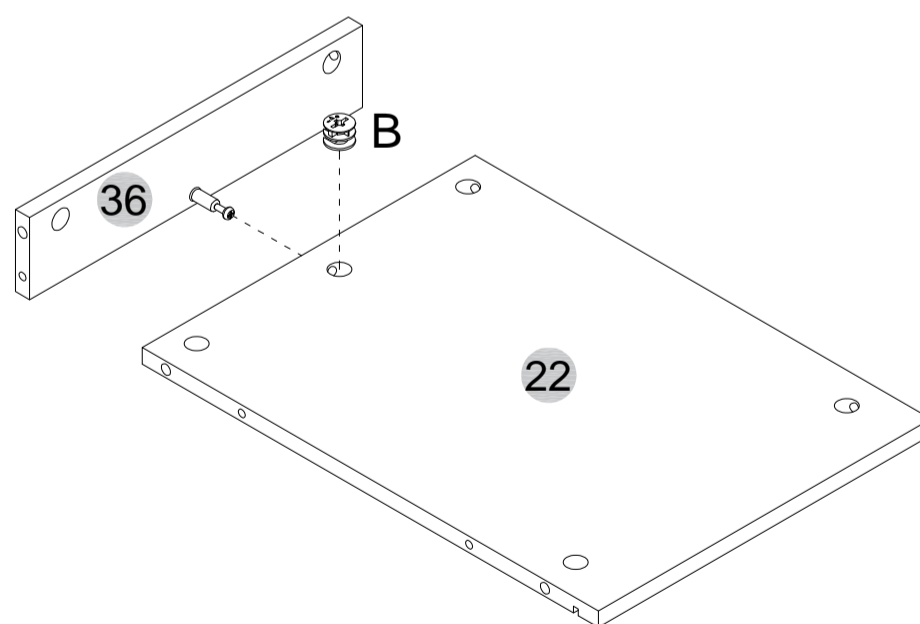
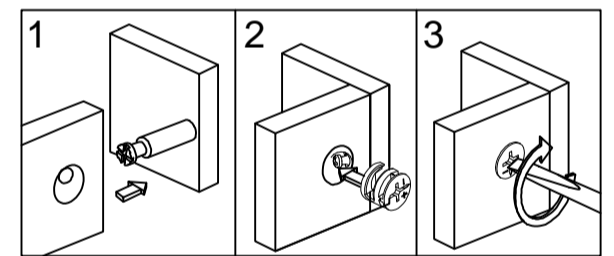
STEP 3

X2

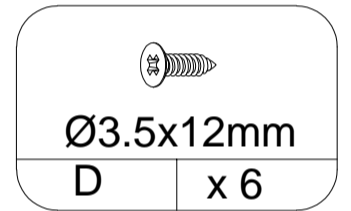
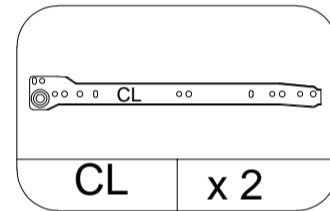
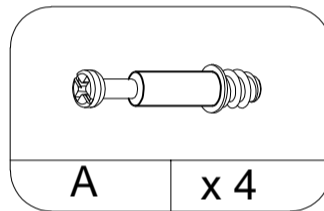
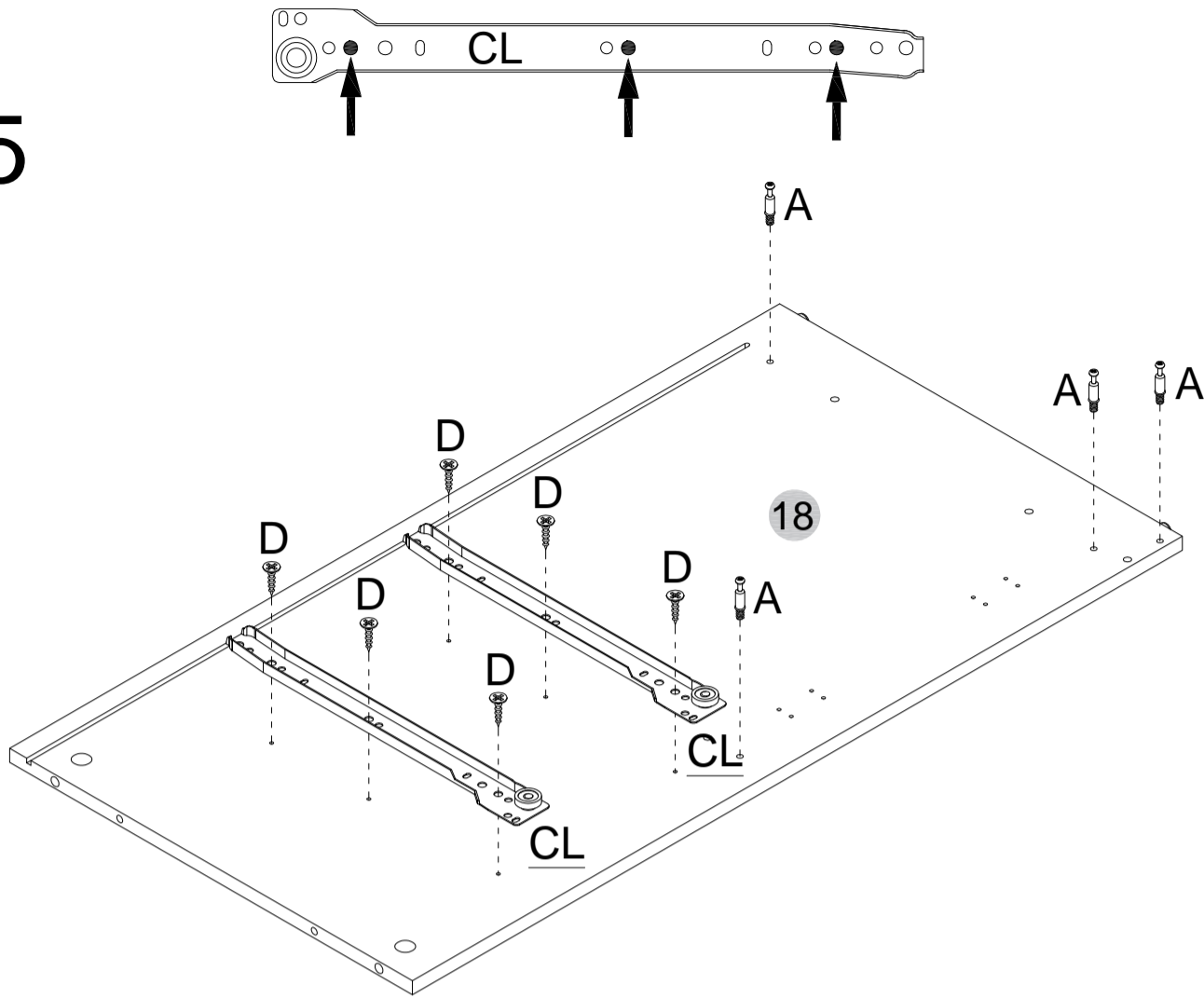


STEP 4

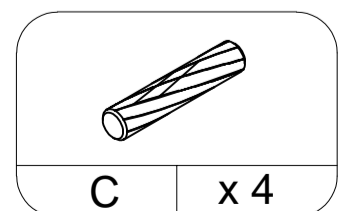
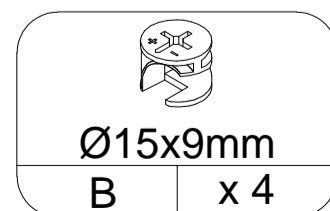
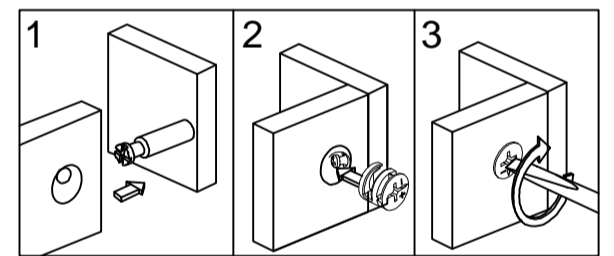
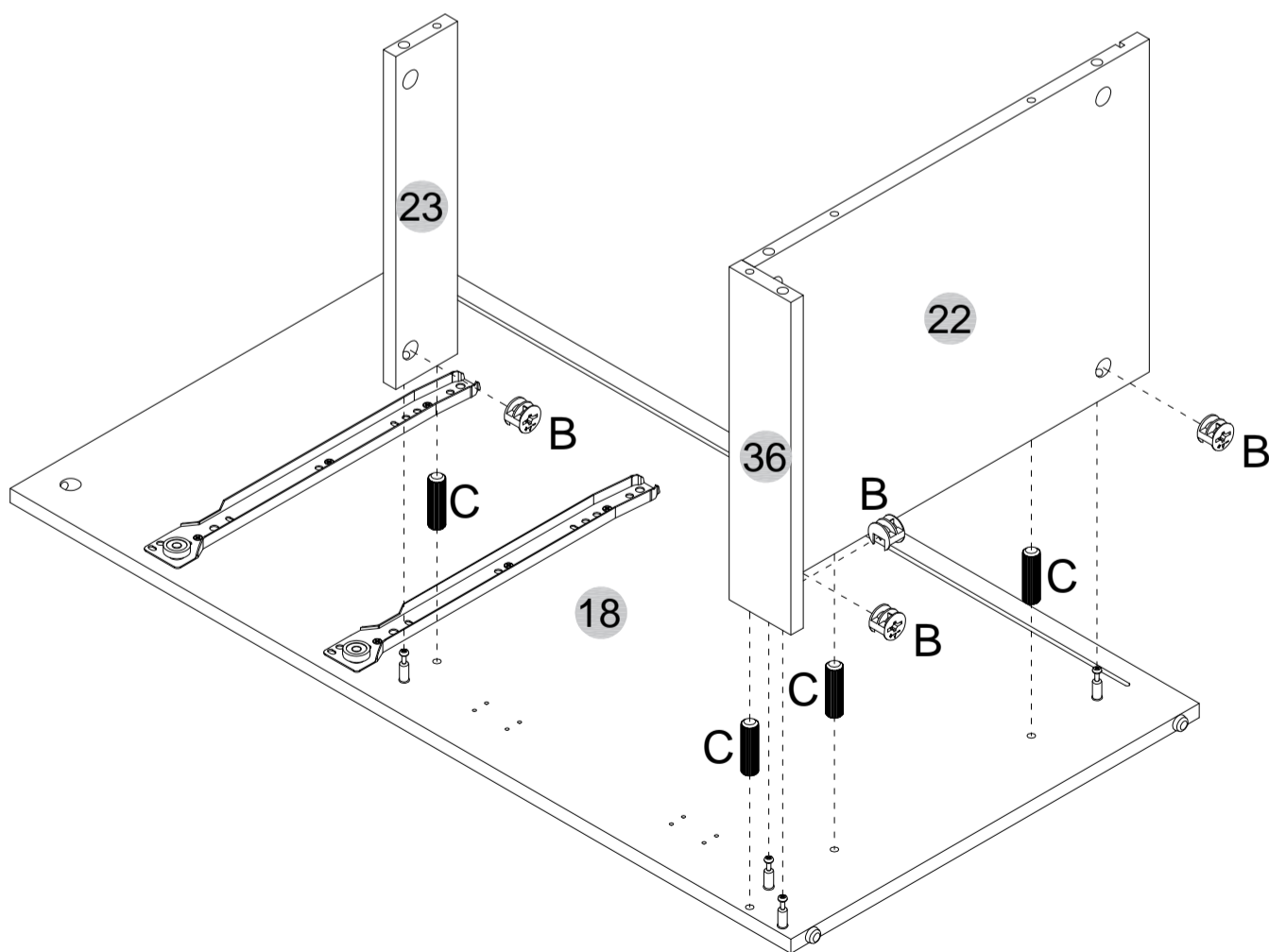
X2



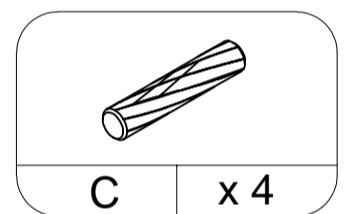
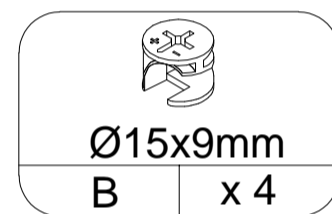
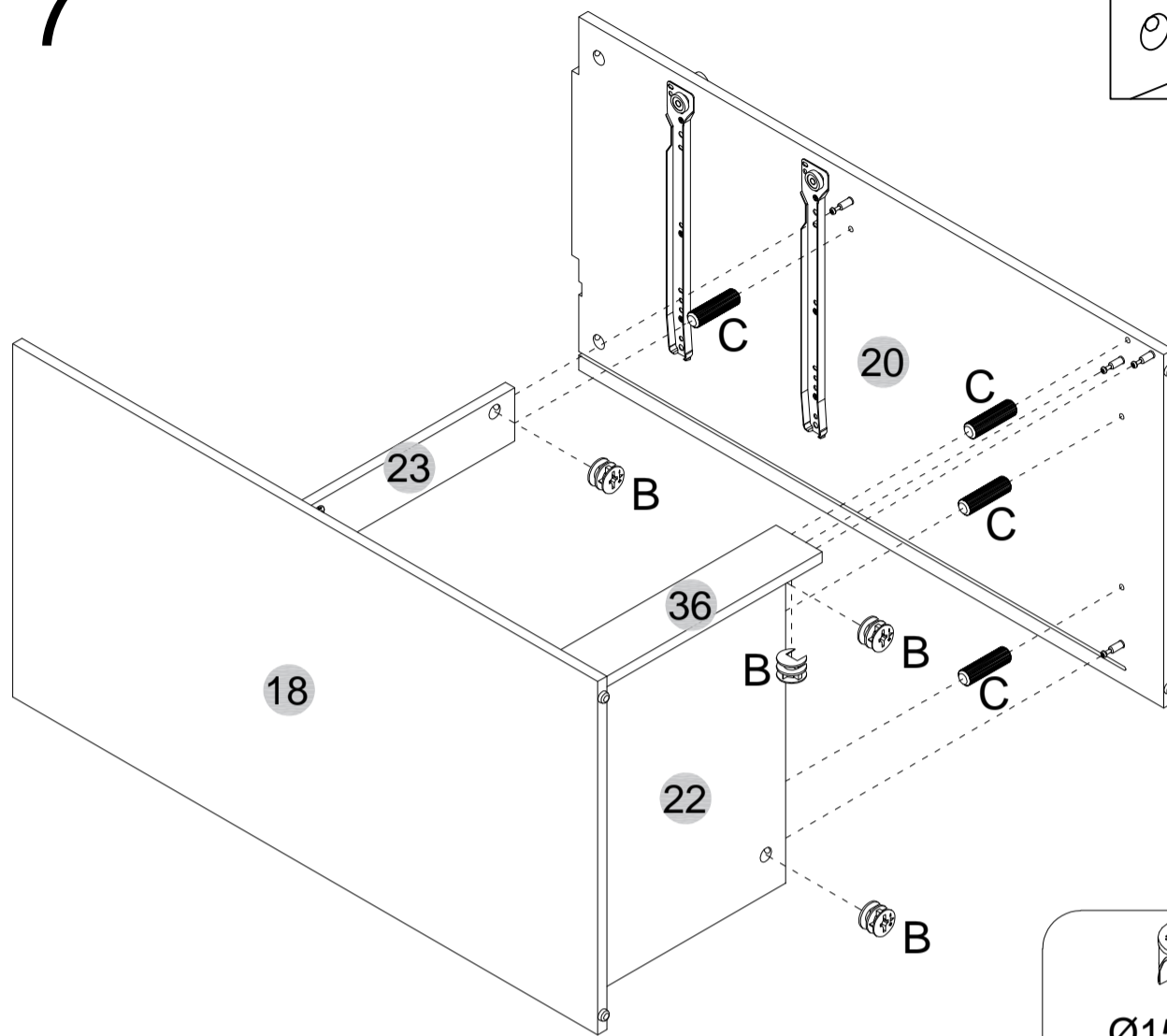
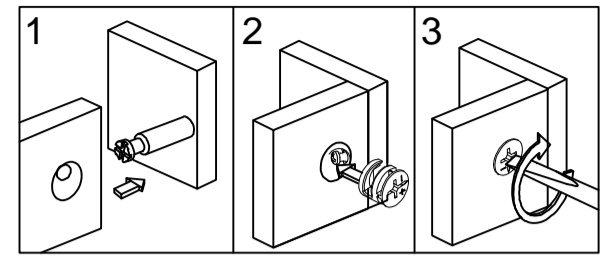
STEP 5



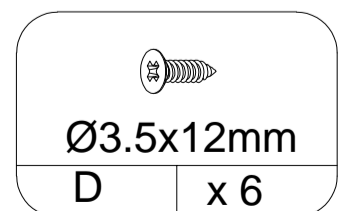
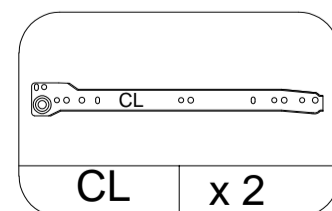
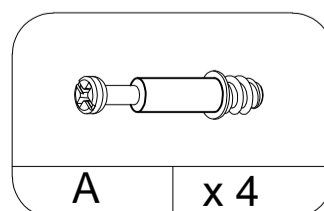
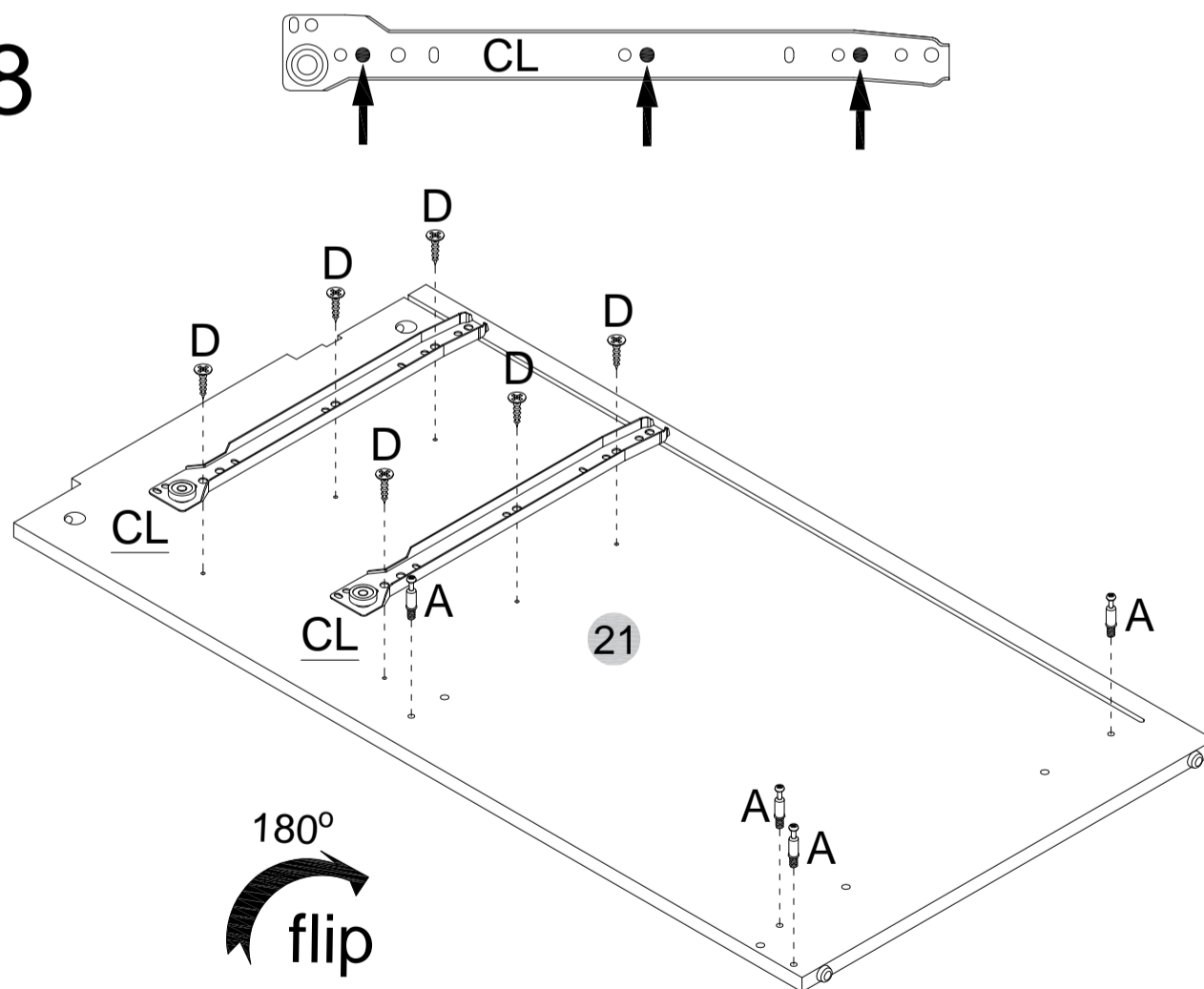
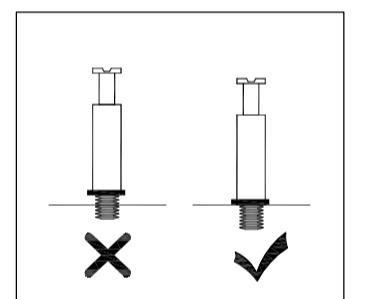
STEP 6



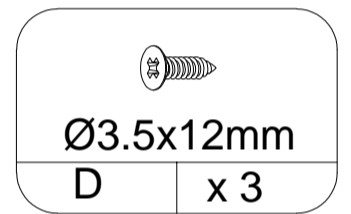
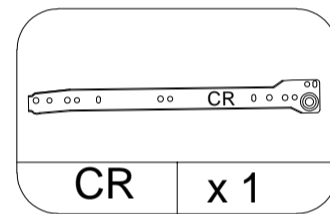
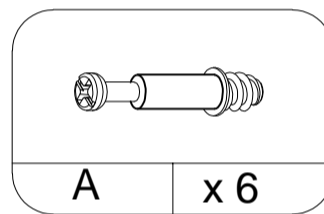
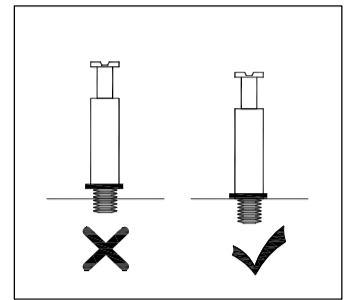
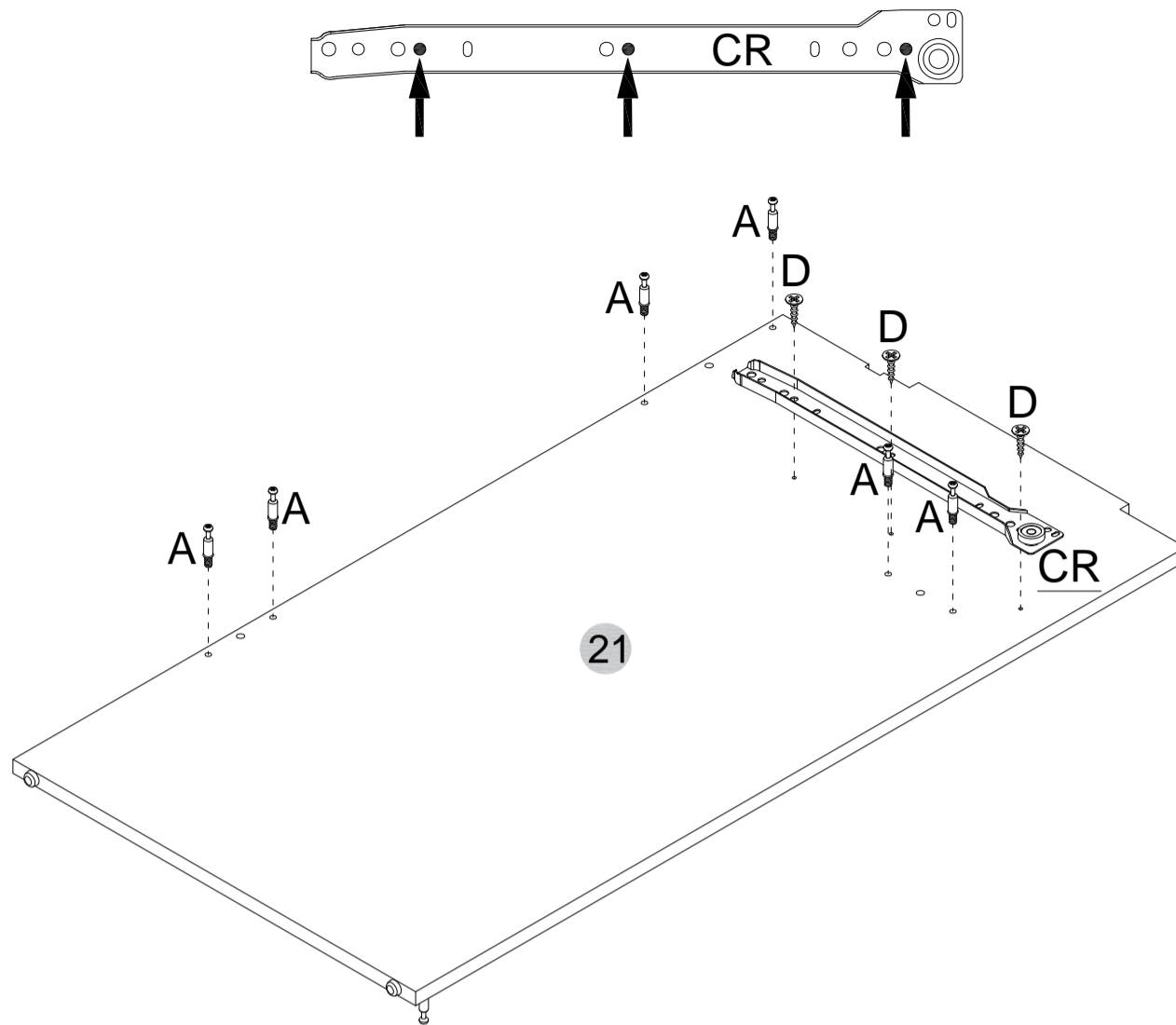
STEP 7



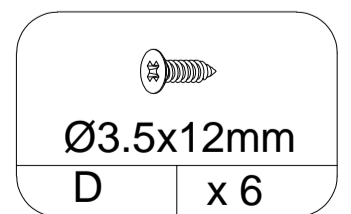
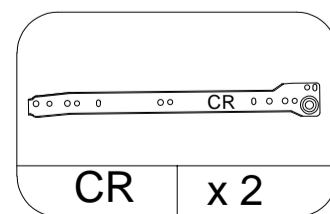
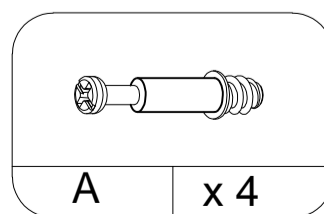
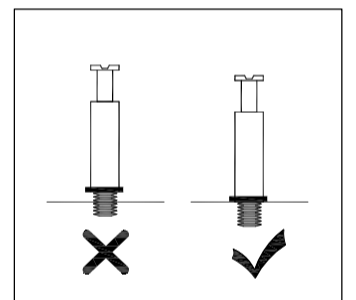
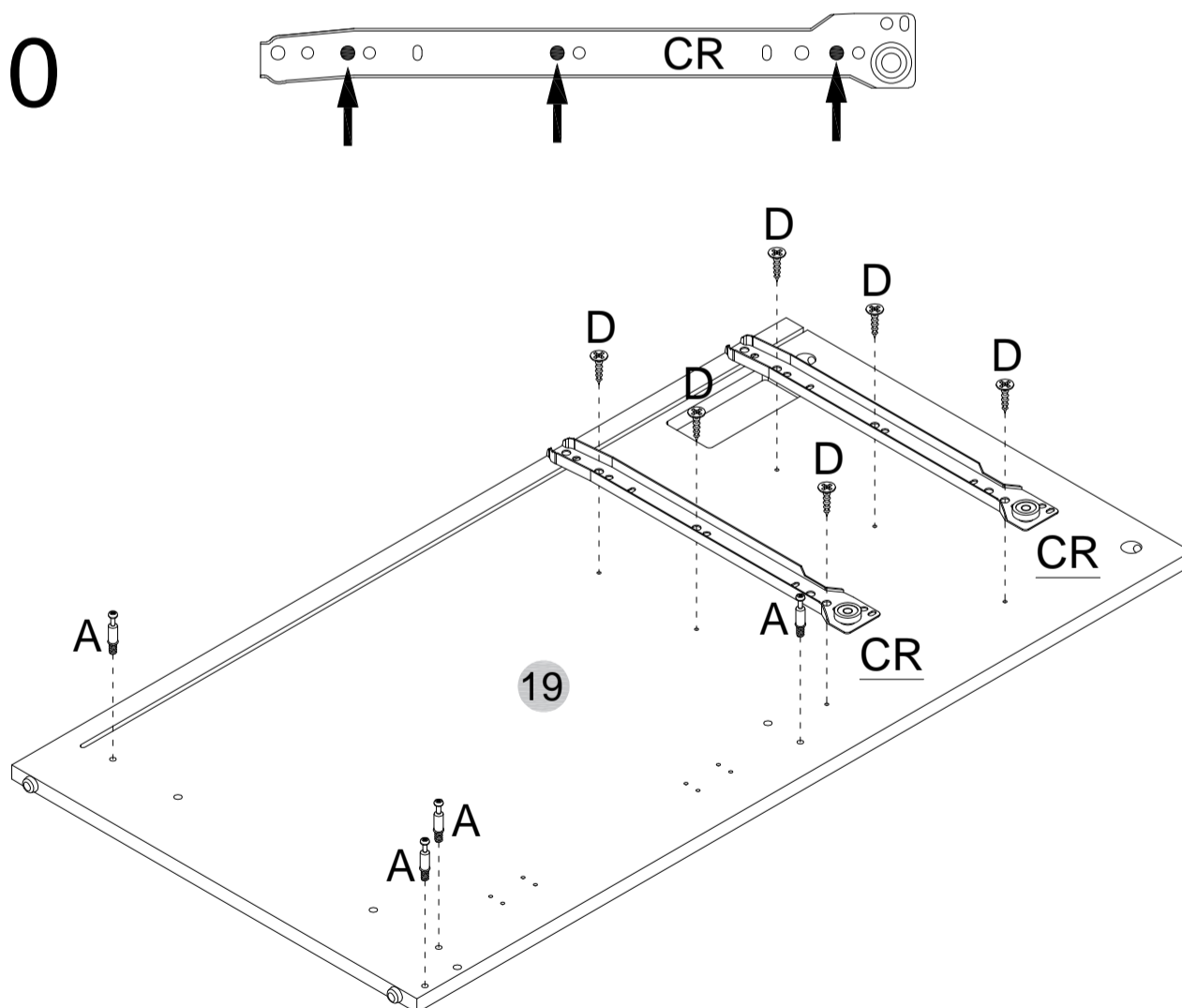
STEP 8



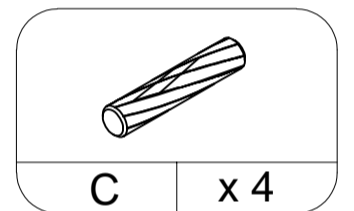
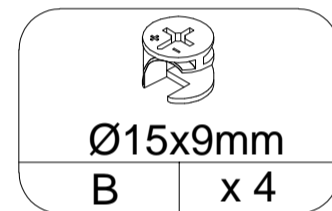
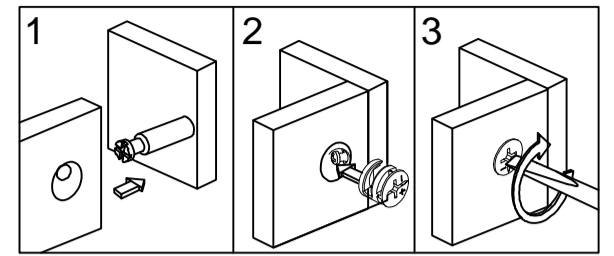
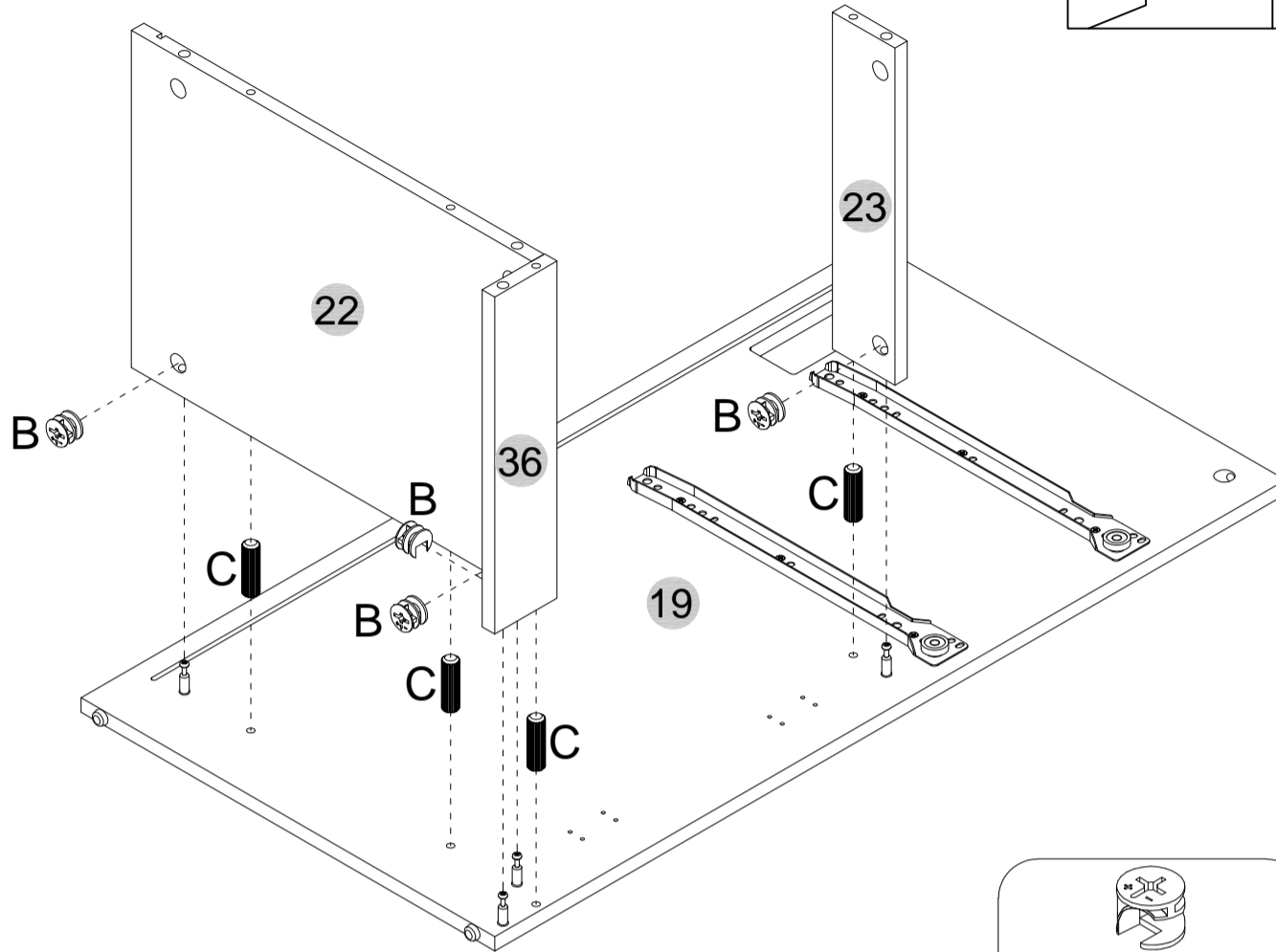
STEP 9



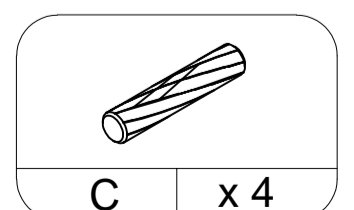
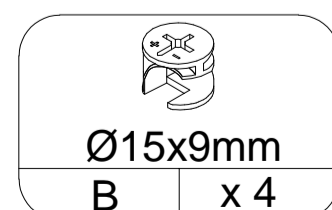
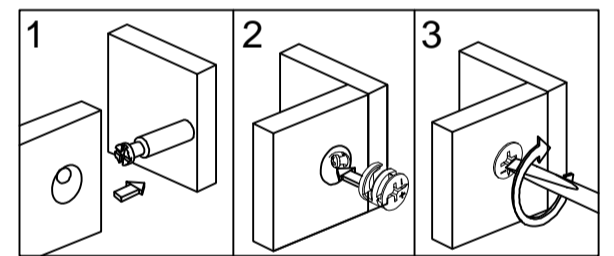
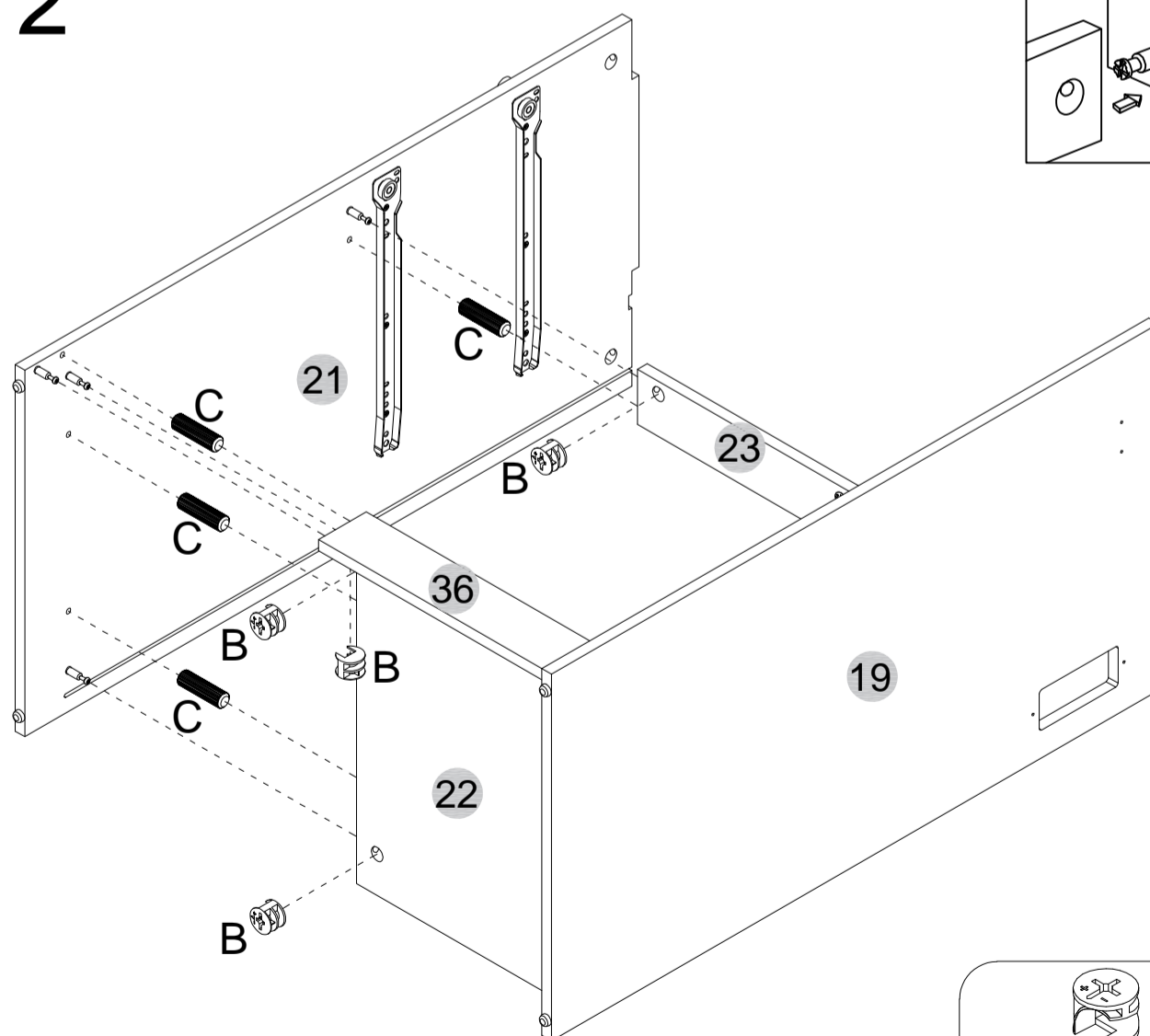
STEP 10



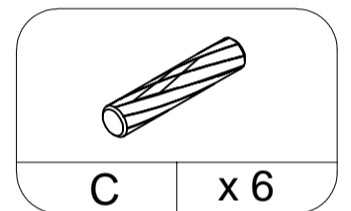
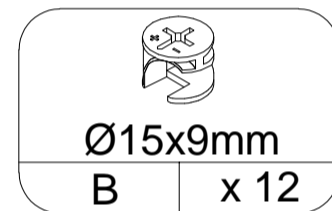
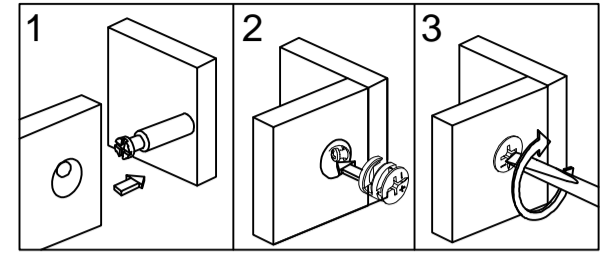
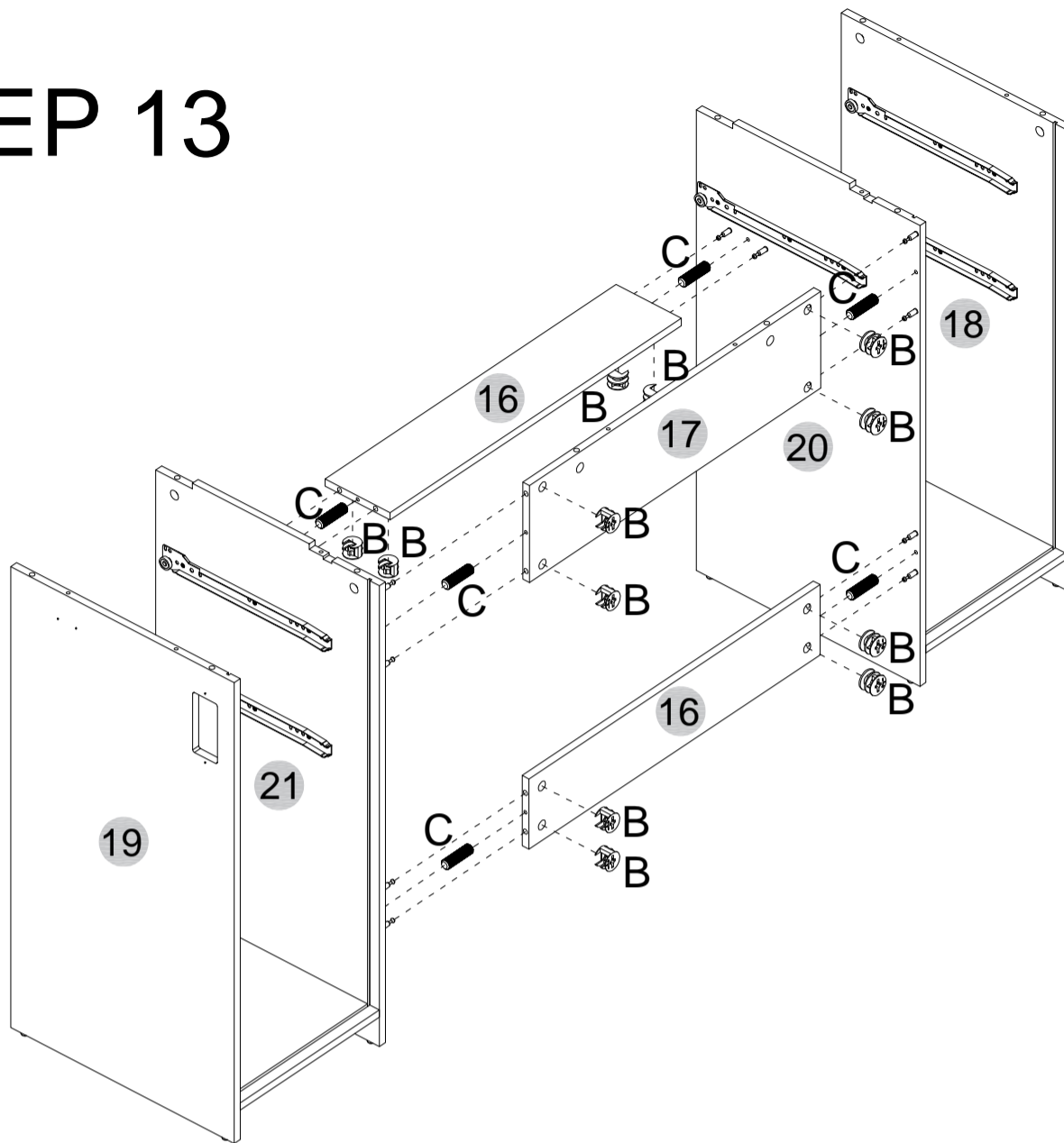
STEP 11



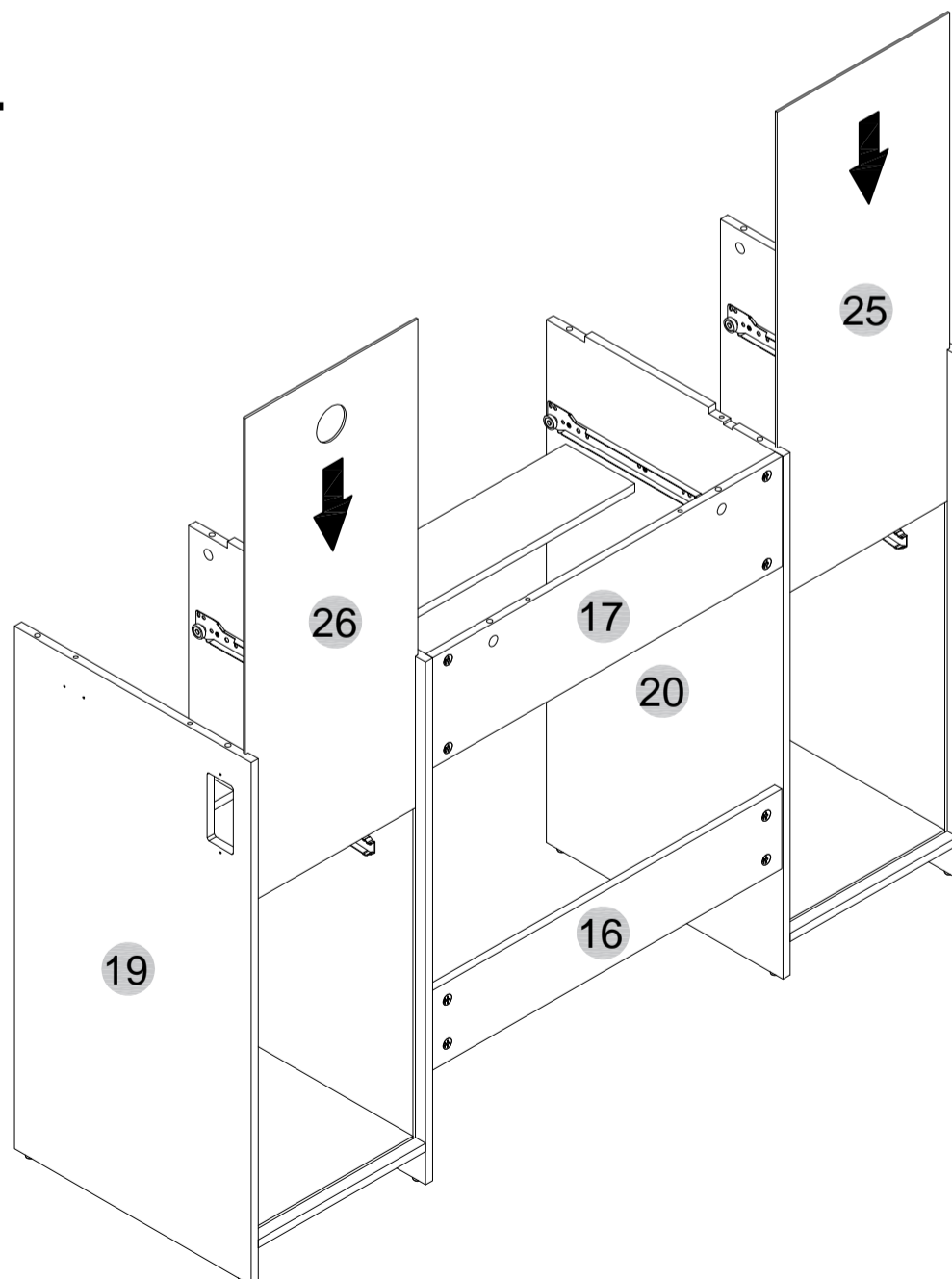
STEP 12



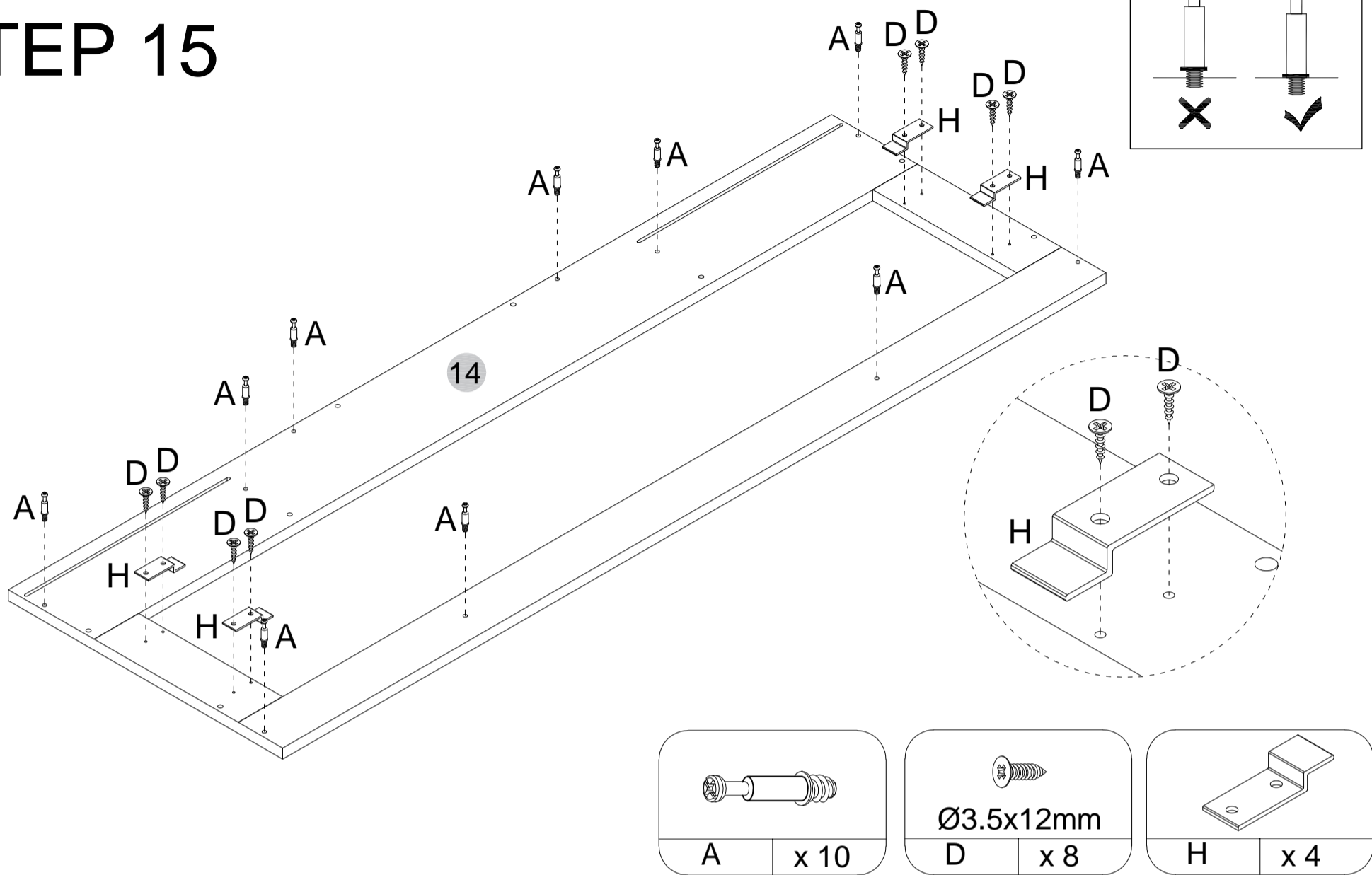
STEP 13



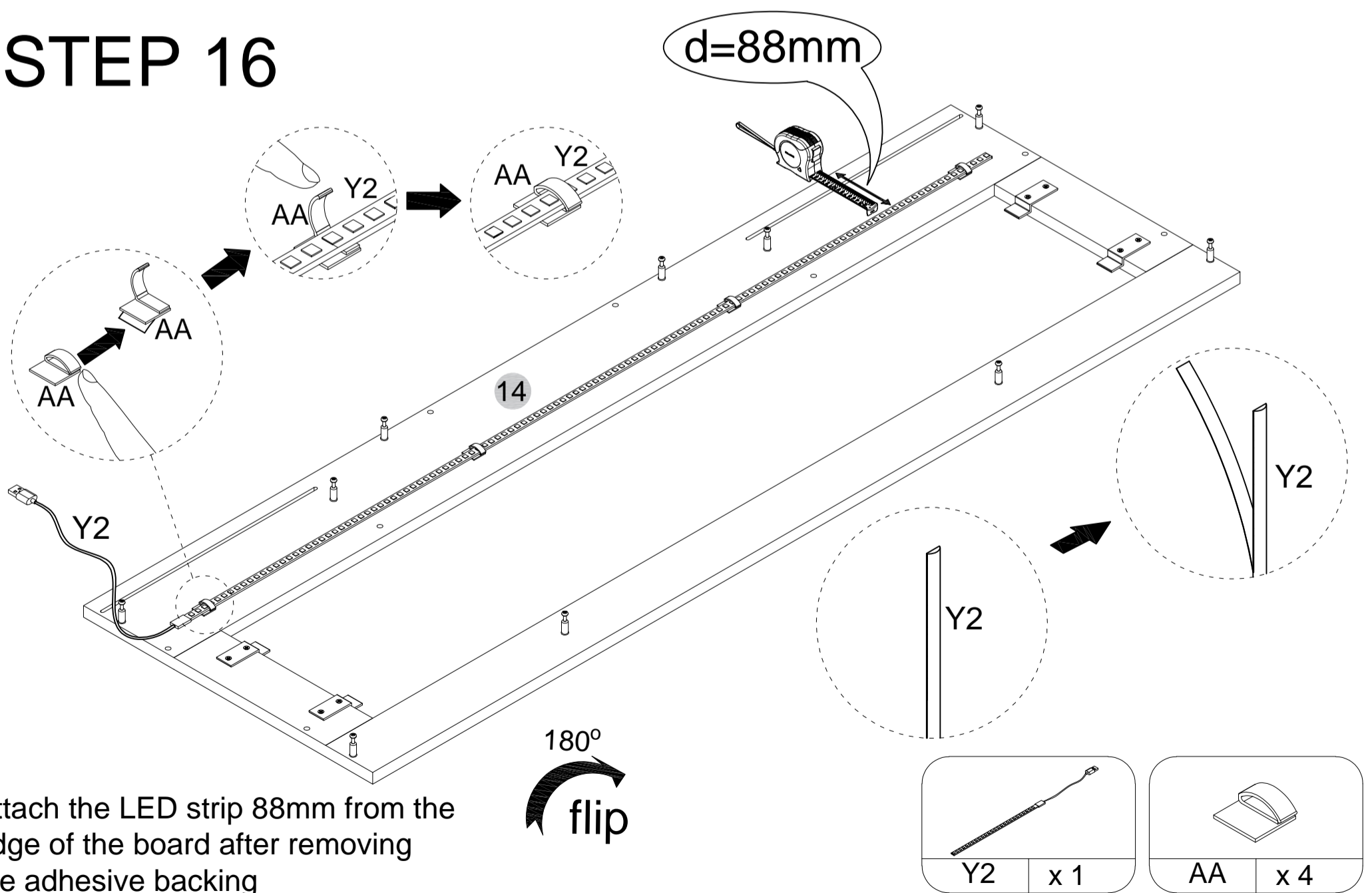
STEP 14



STEP 15

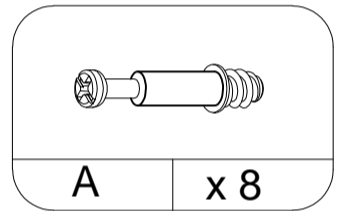
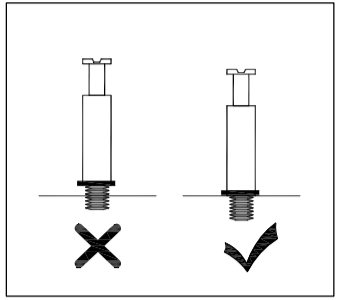
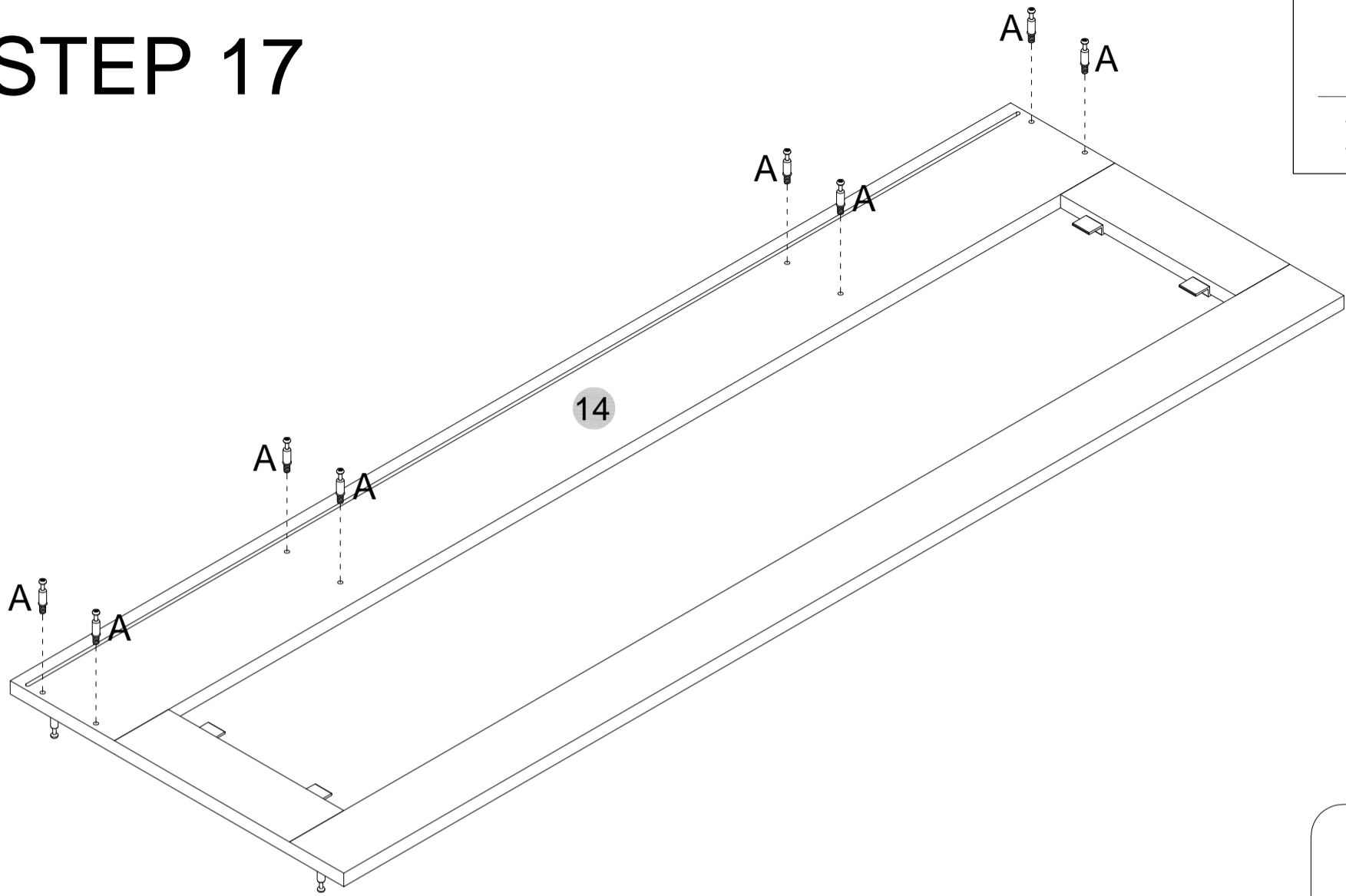


STEP 16

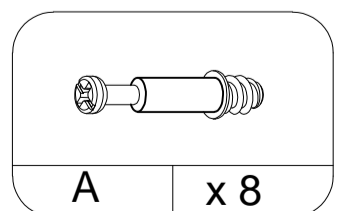
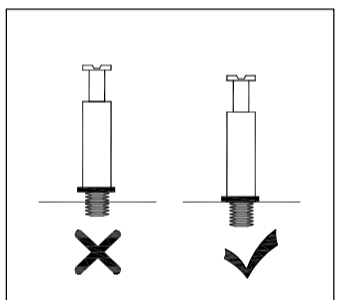
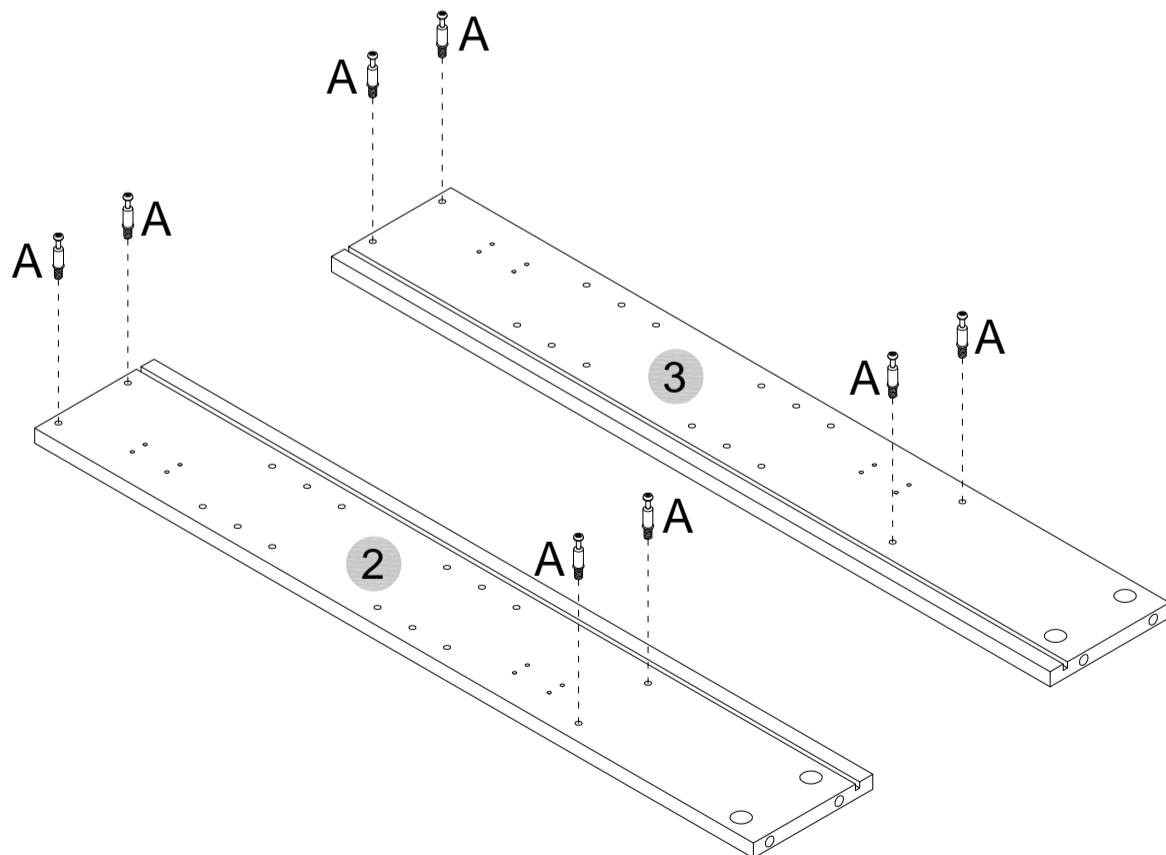


Attach the LED strip 88mm from the edge of the board after removing the adhesive backing

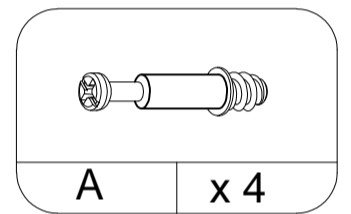
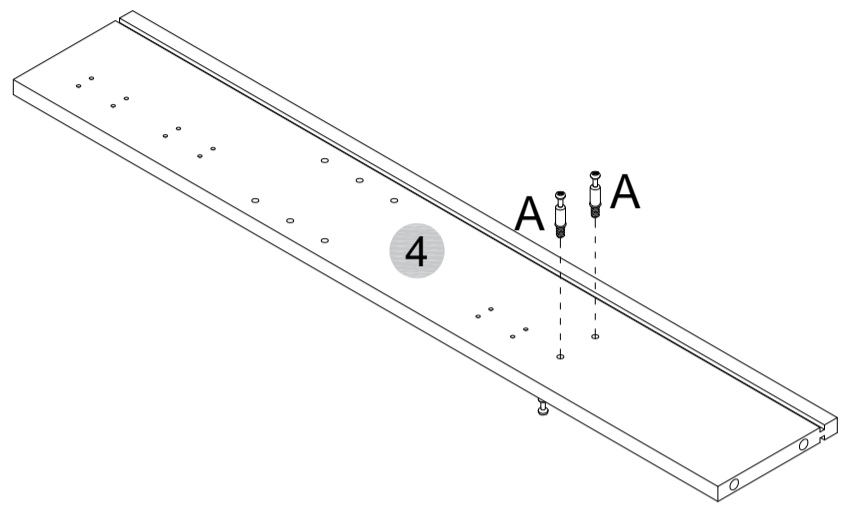
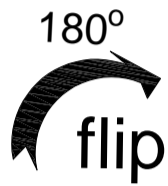
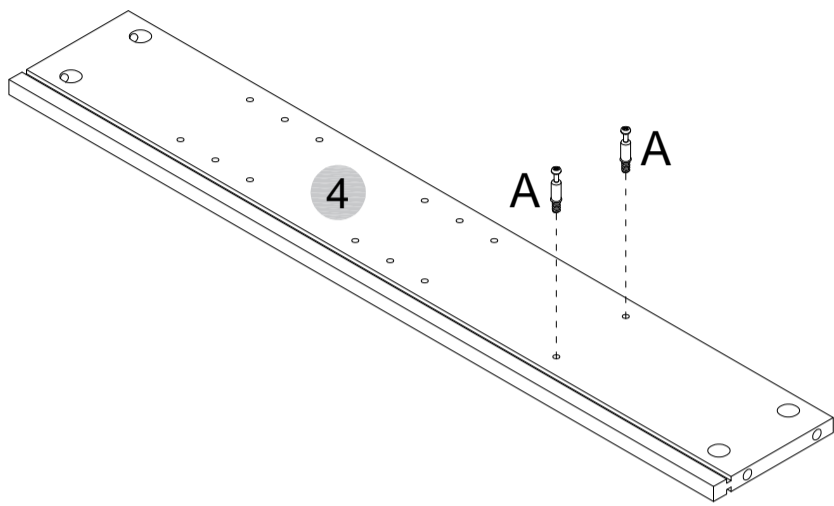
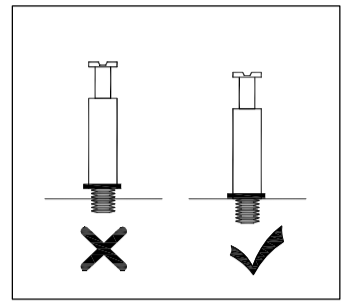
STEP 17



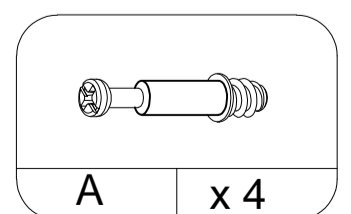
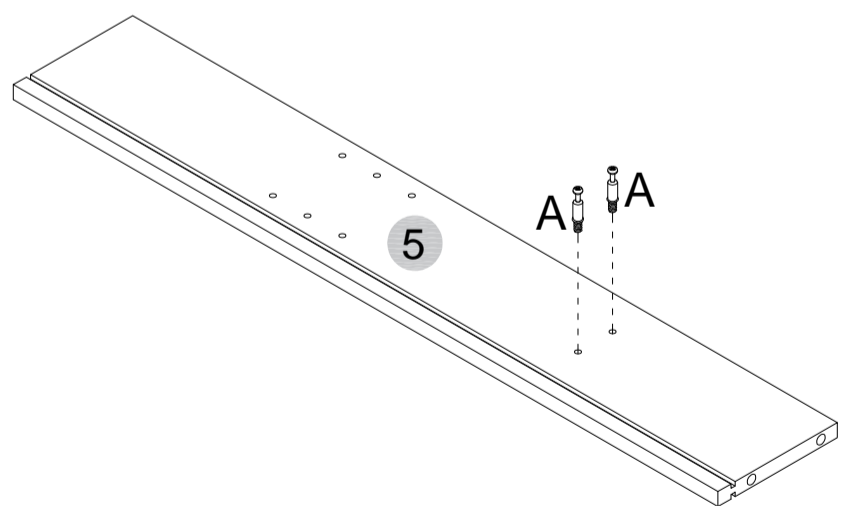
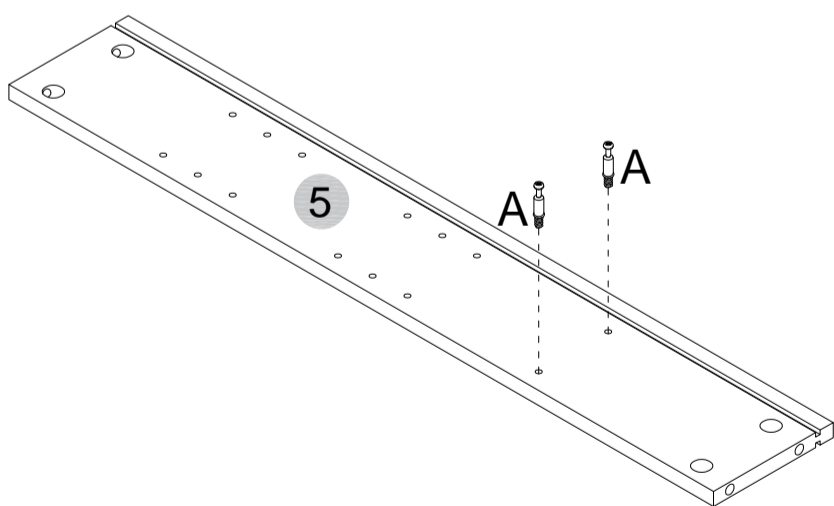
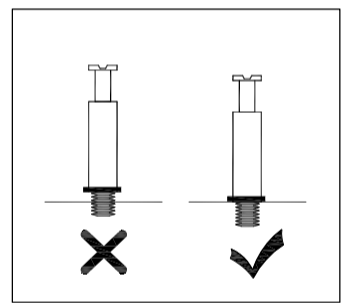
STEP 18



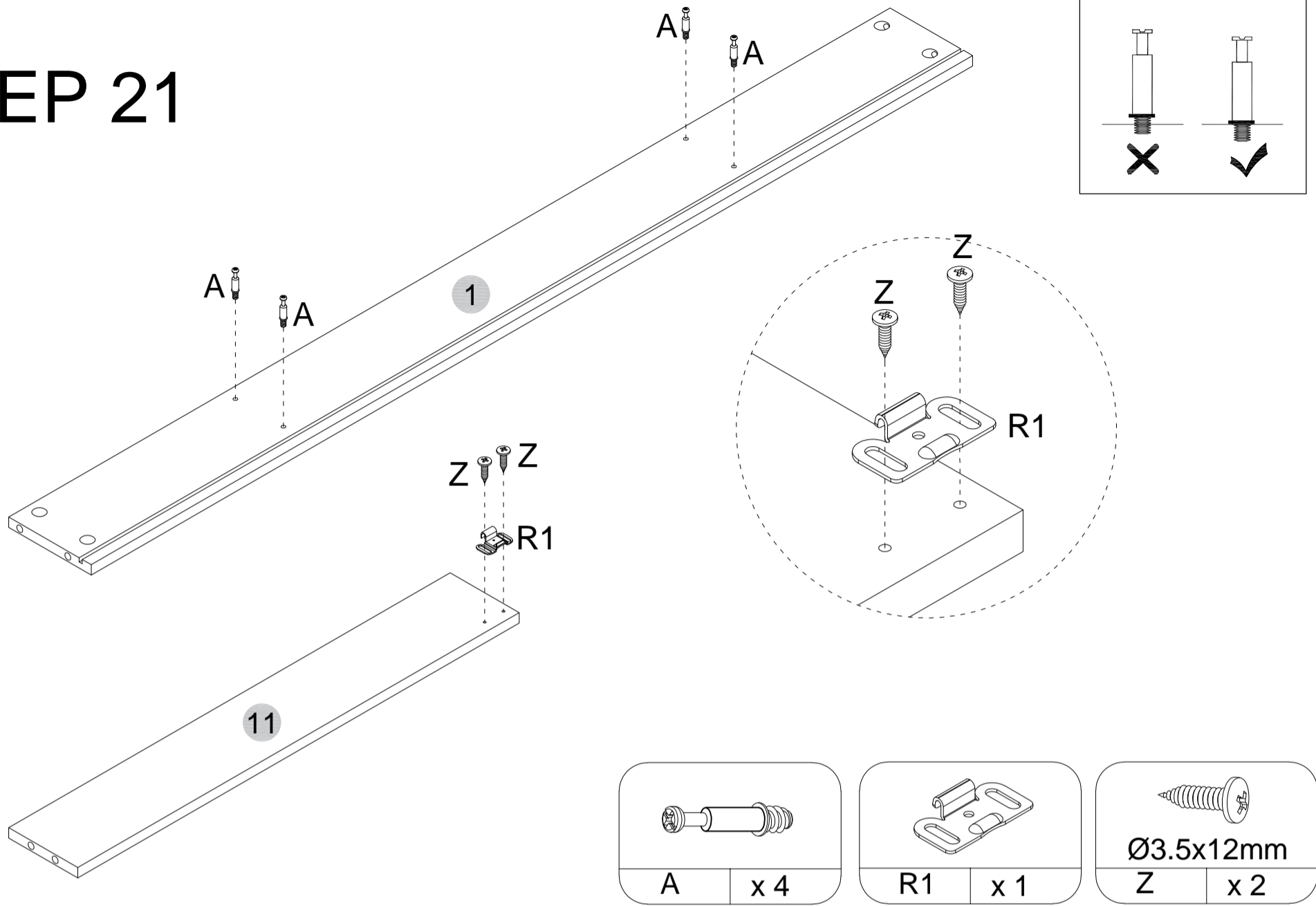
STEP 19



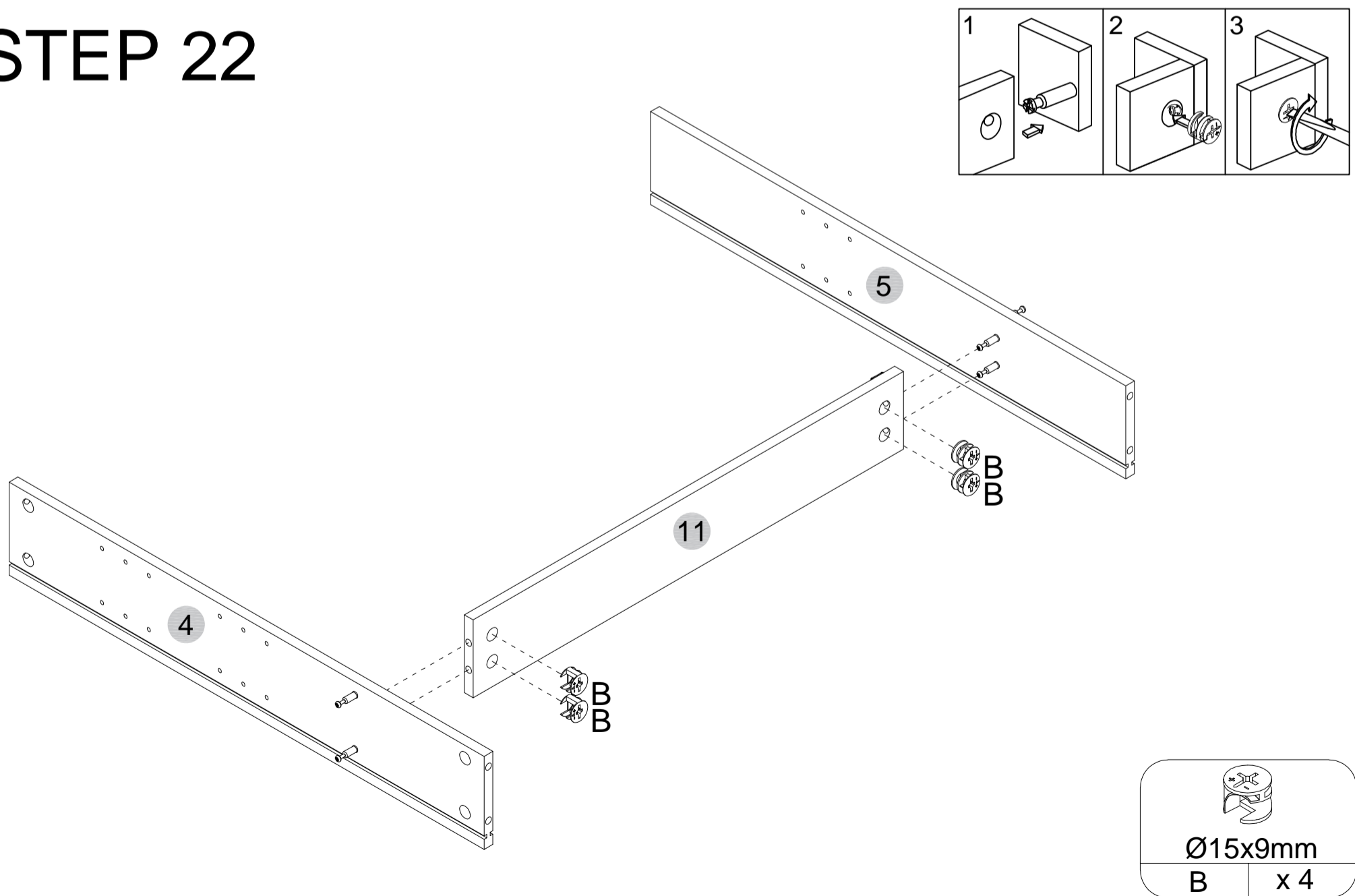
STEP 20



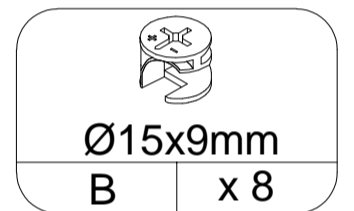
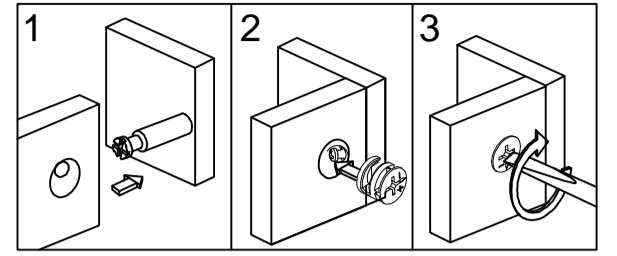
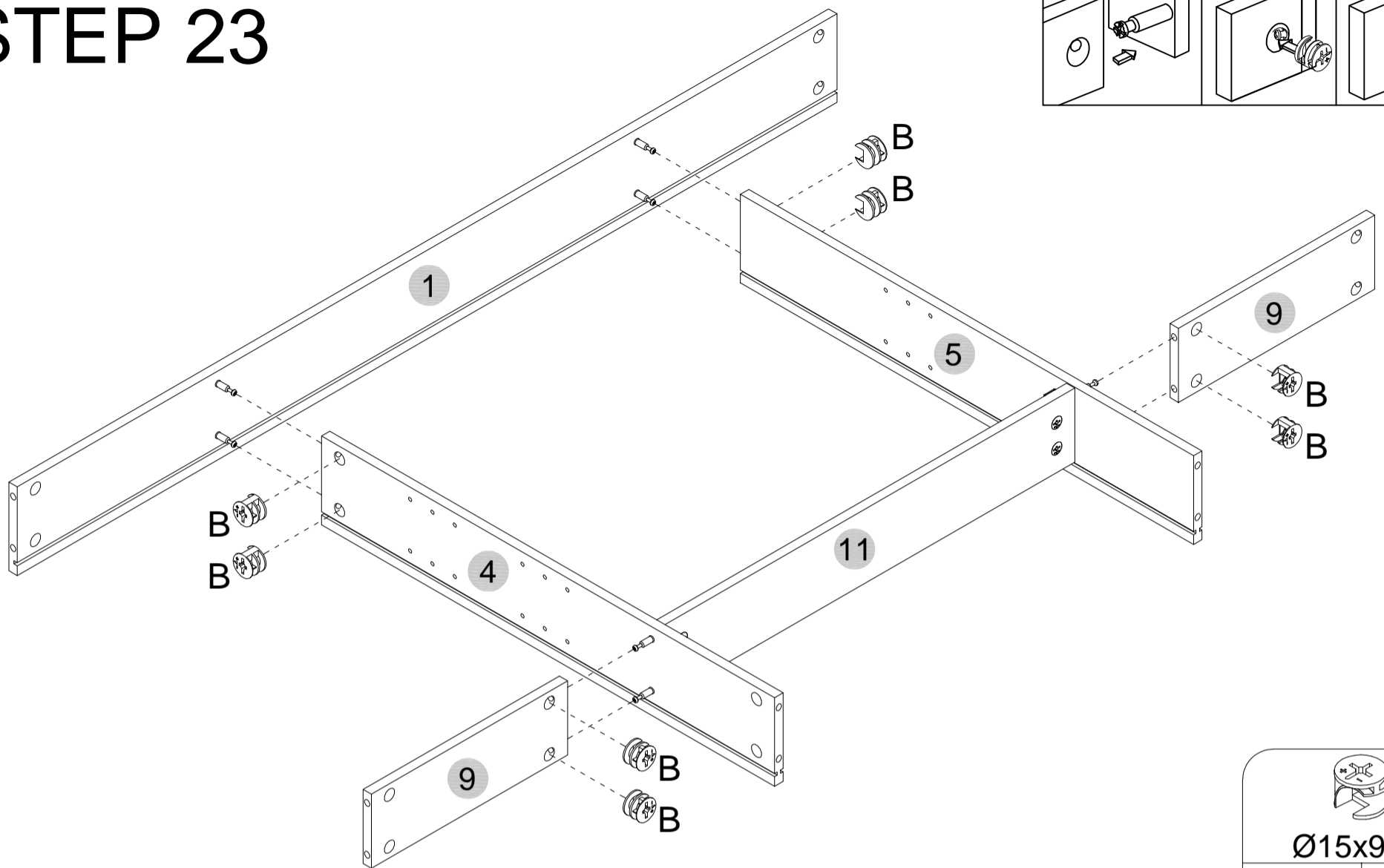
STEP 21



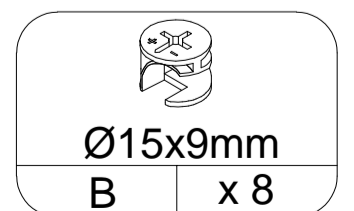
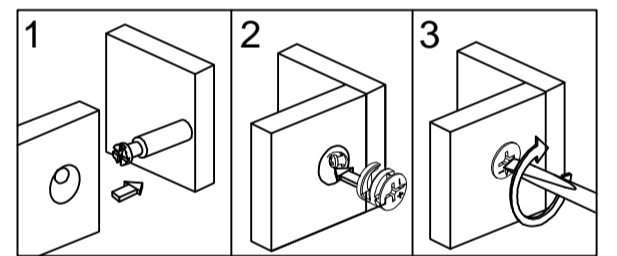
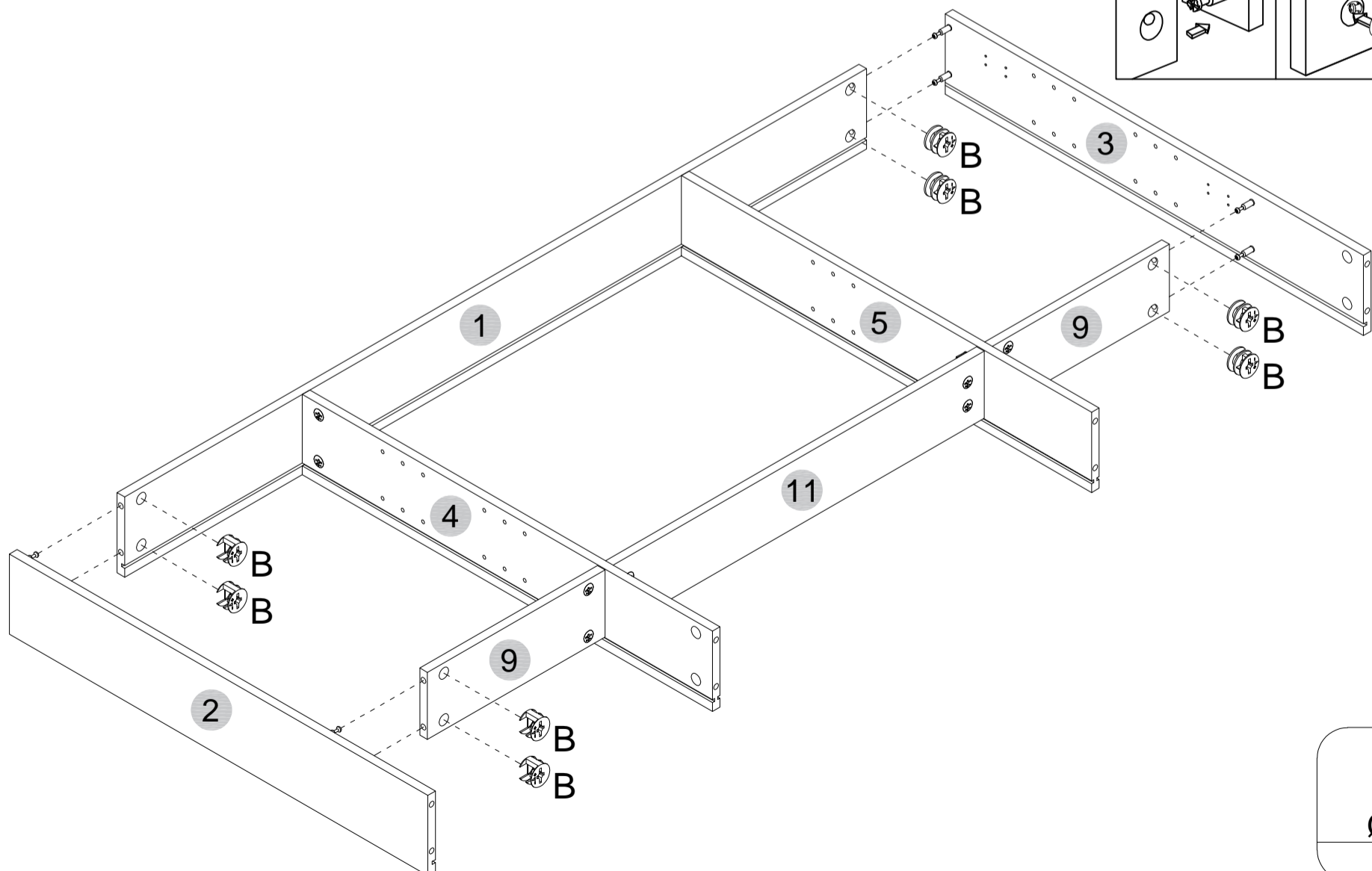
STEP 22



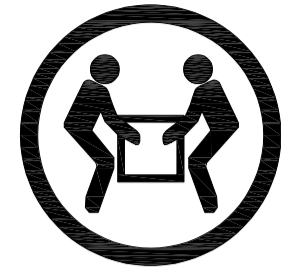
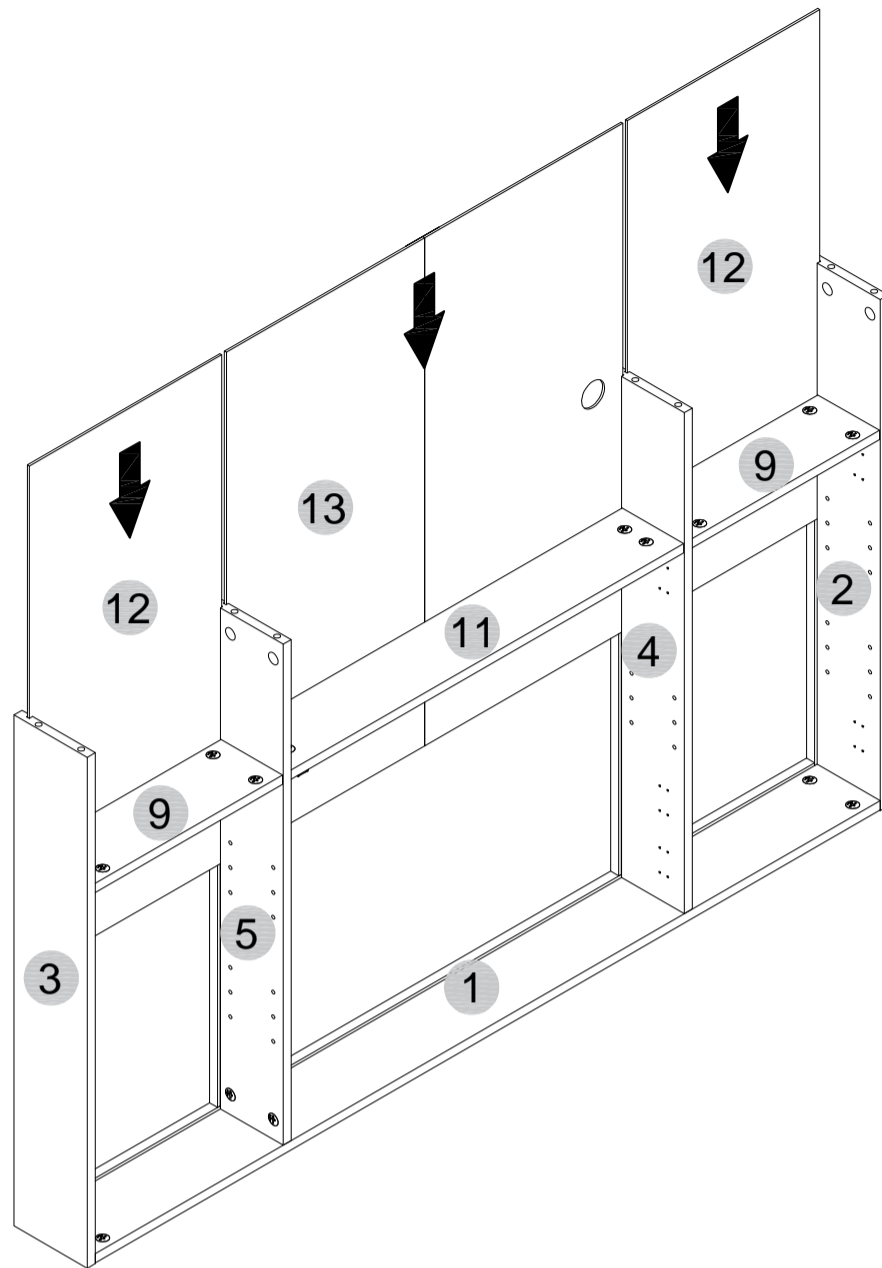
STEP 23



STEP 24

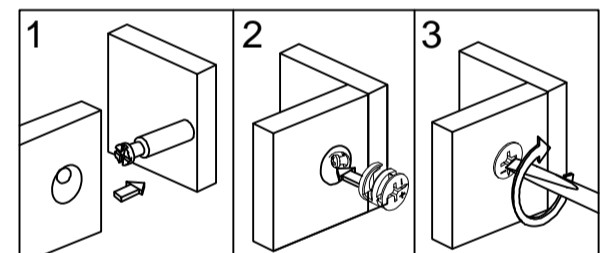
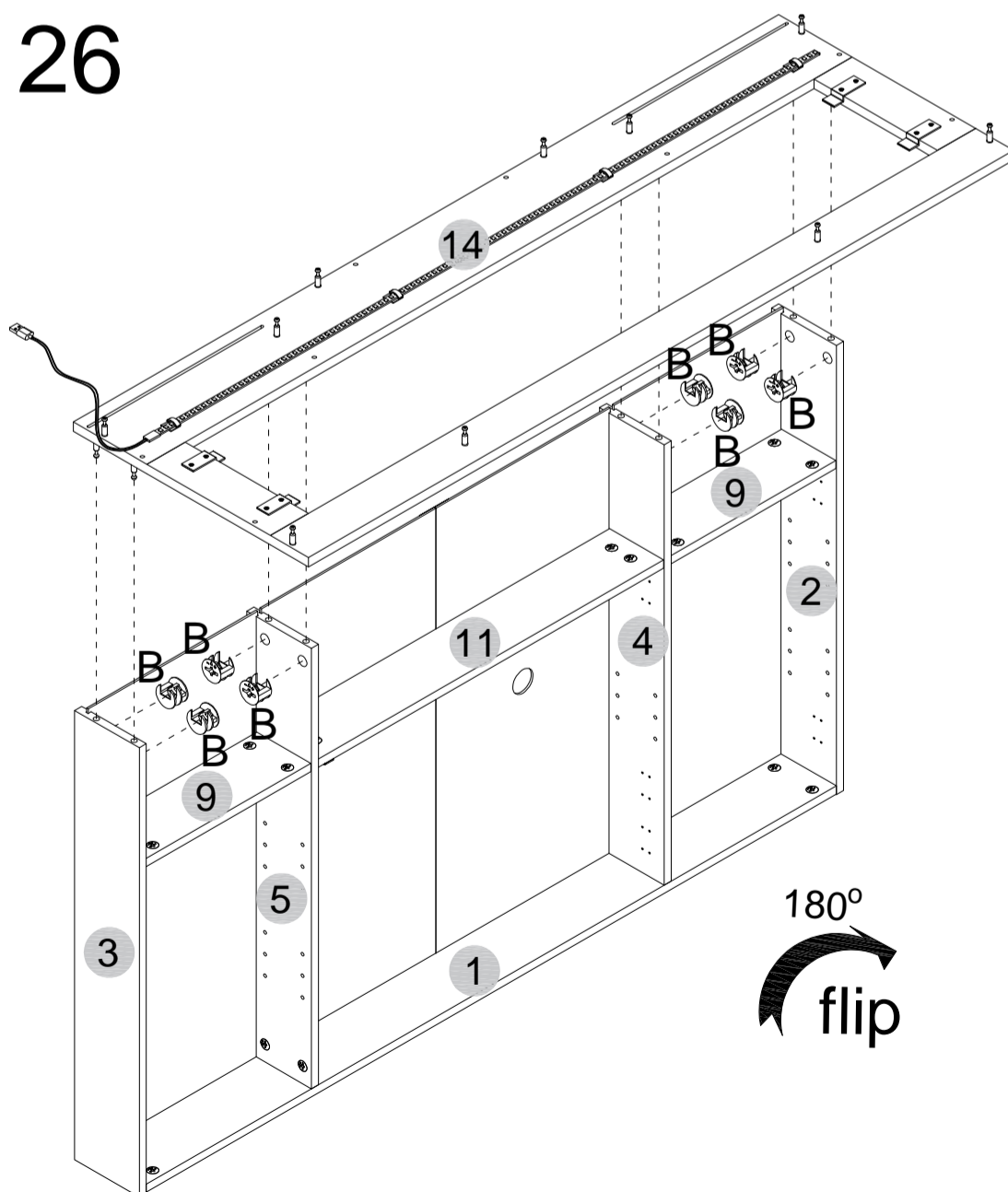


STEP 25

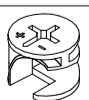


CAUTION: Heavy! You may need assistance with this step.

STEP 26

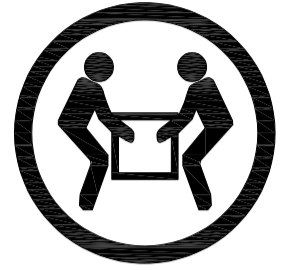
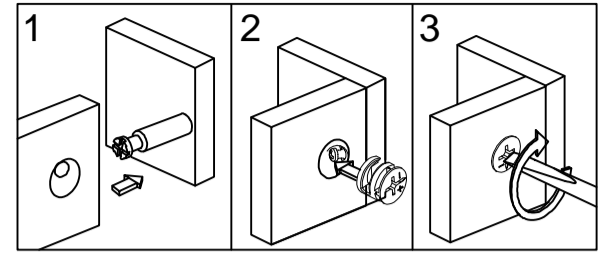
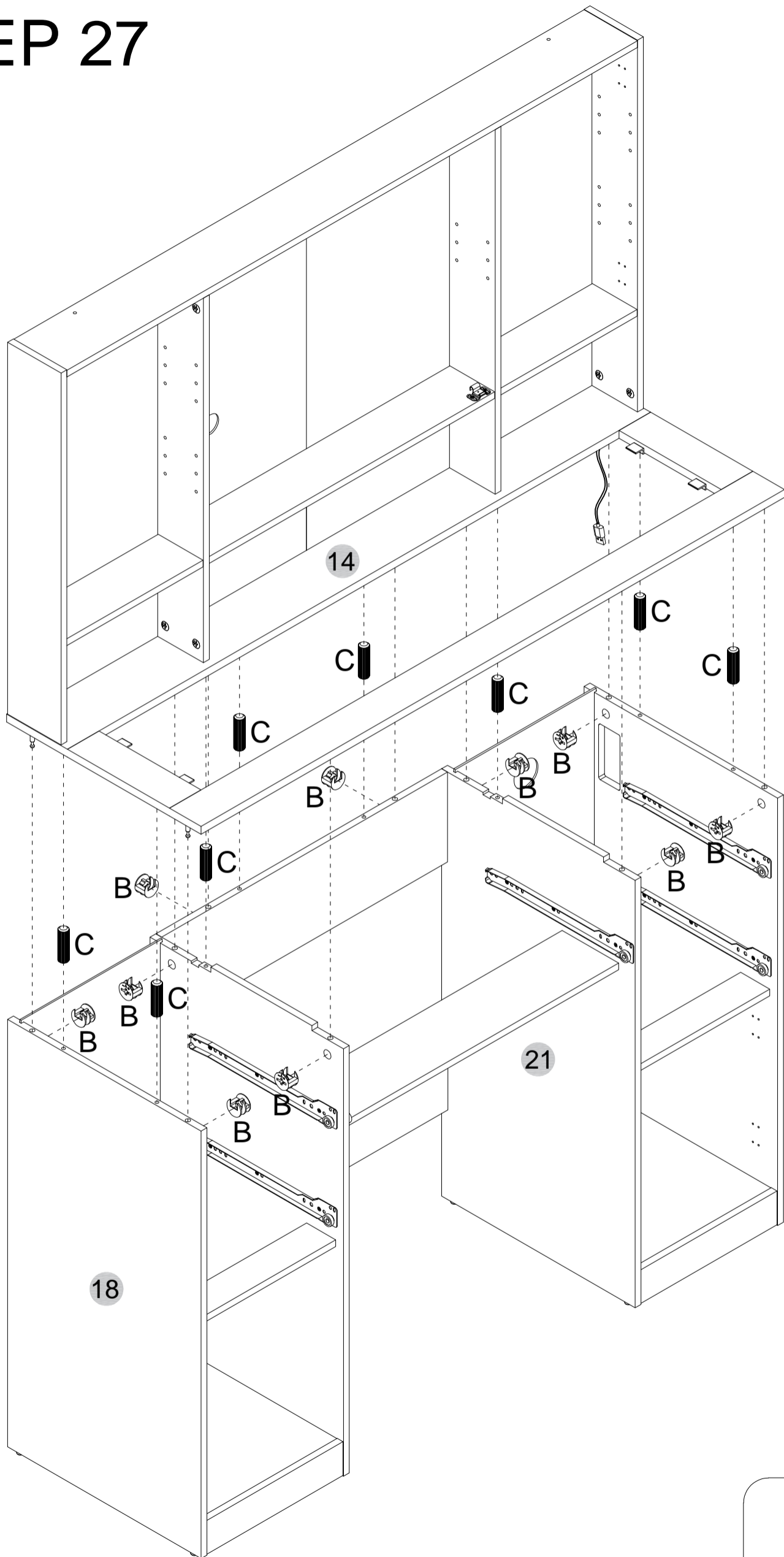


CAUTION: Heavy! You may need assistance with this step.

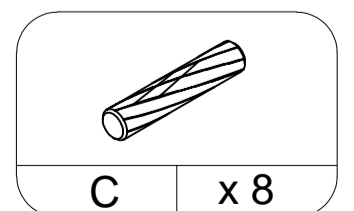
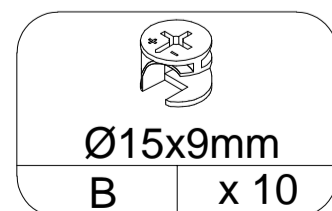


Ø15x9mm
B x 8

STEP 27

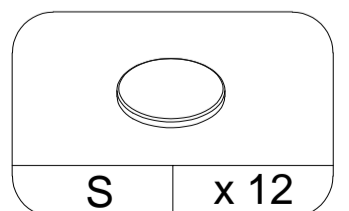
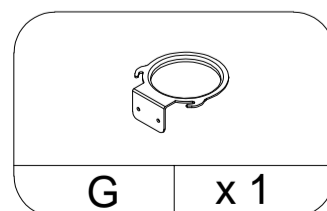
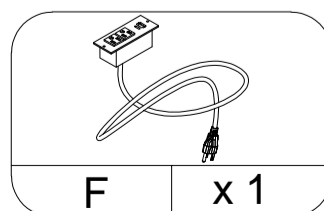
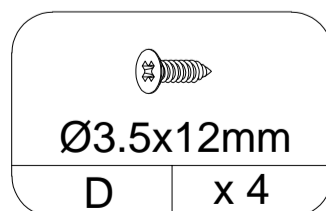
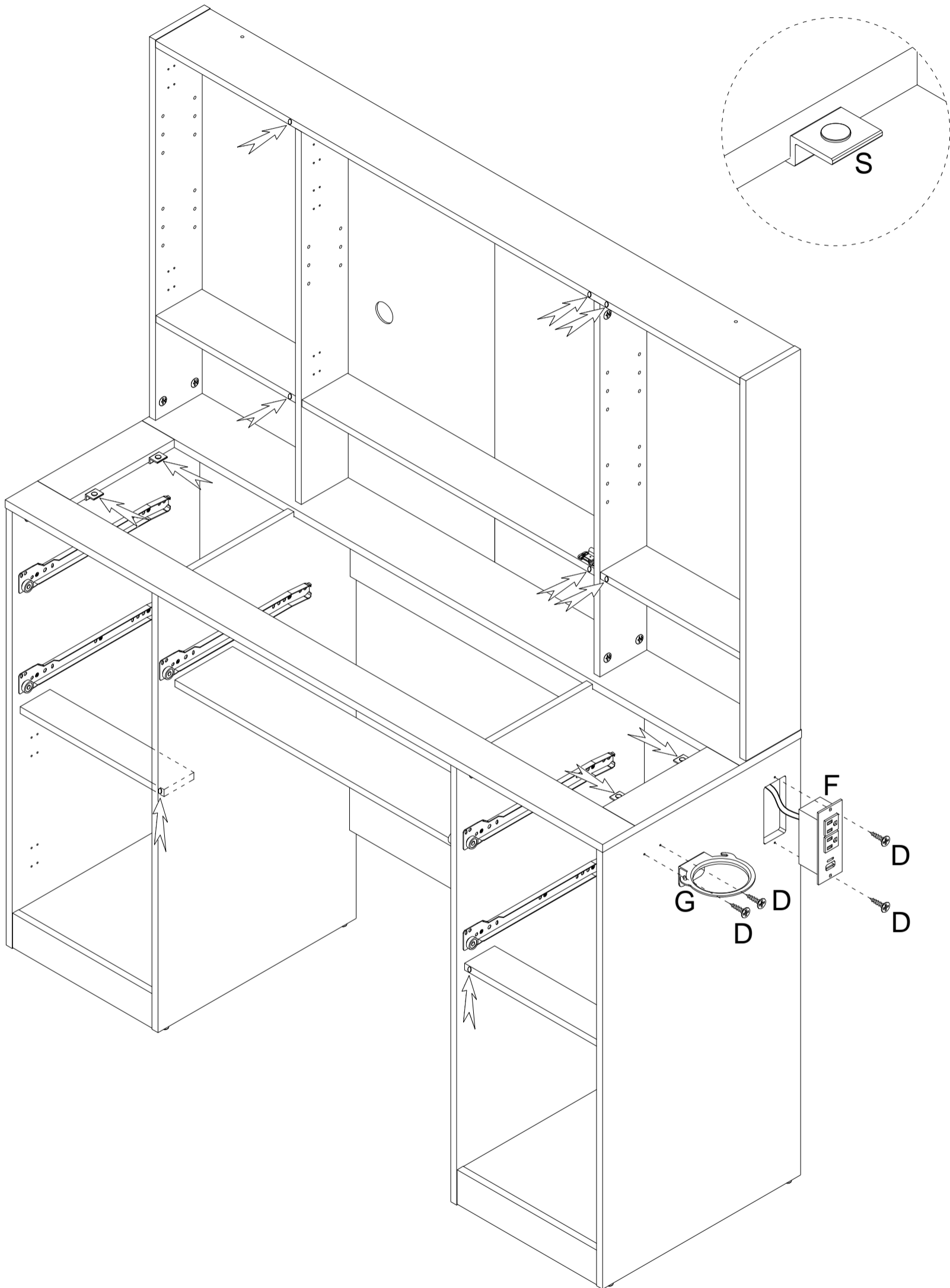


CAUTION: Heavy! You may need assistance with this step.

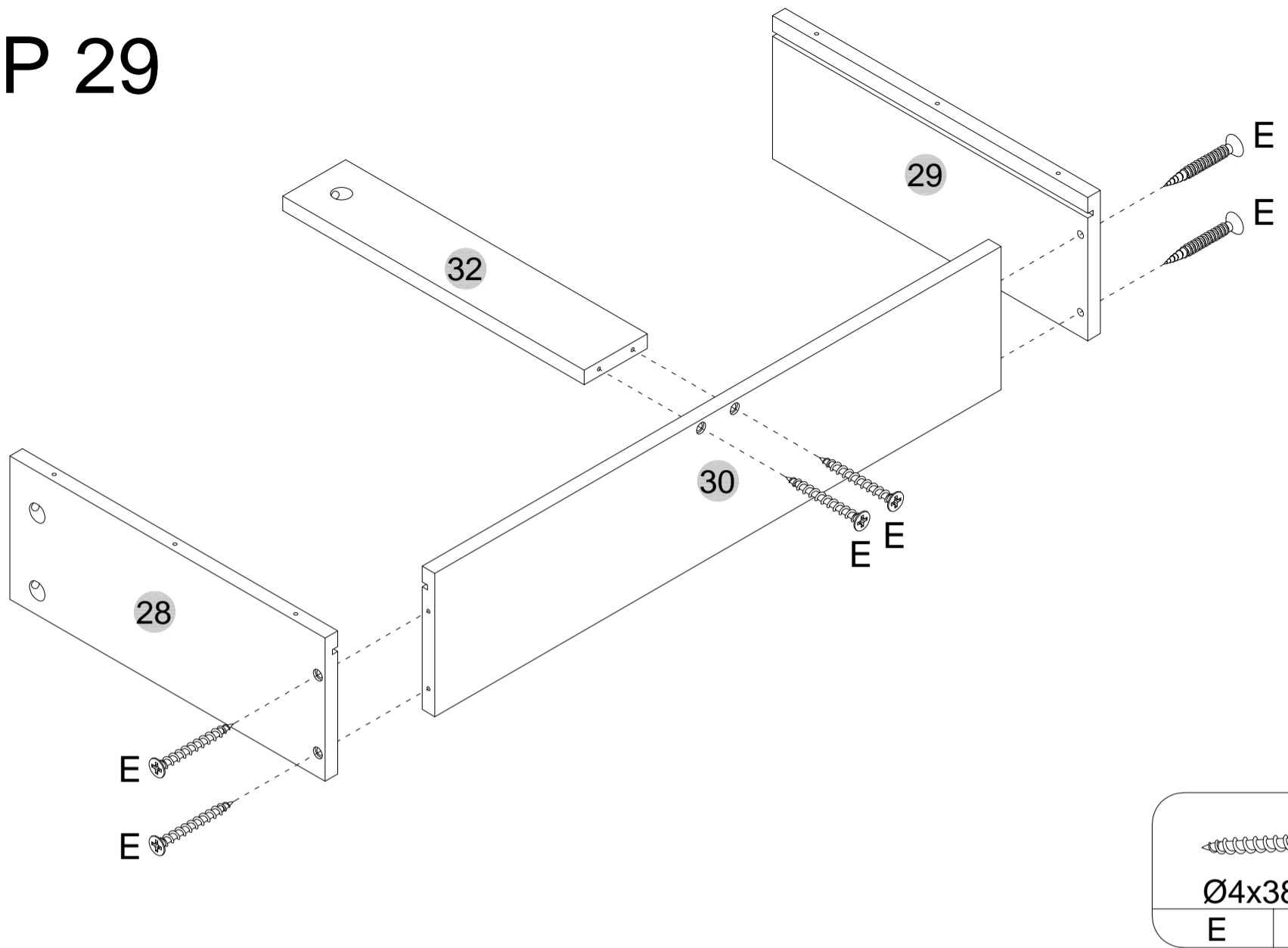


STEP 28

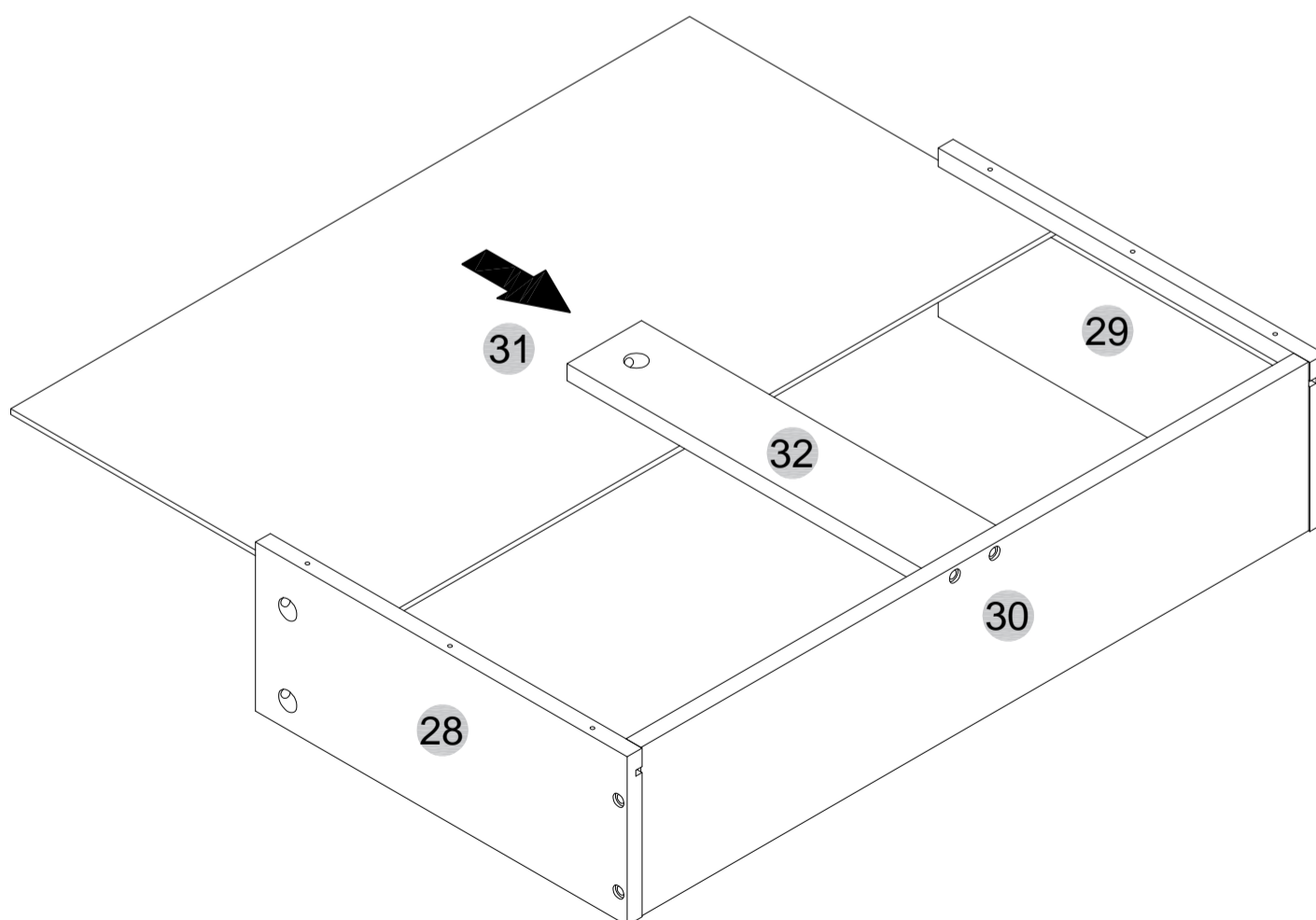
Attach the silicone door bumpers (S) to the marked positions



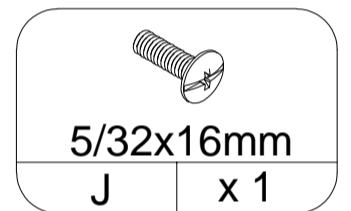
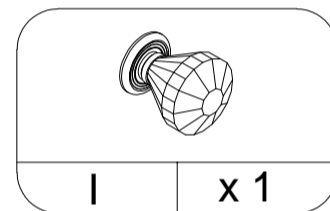
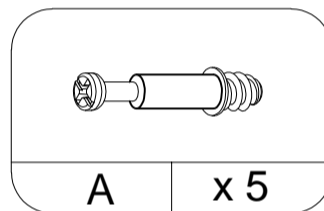
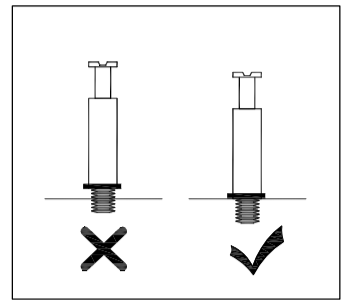
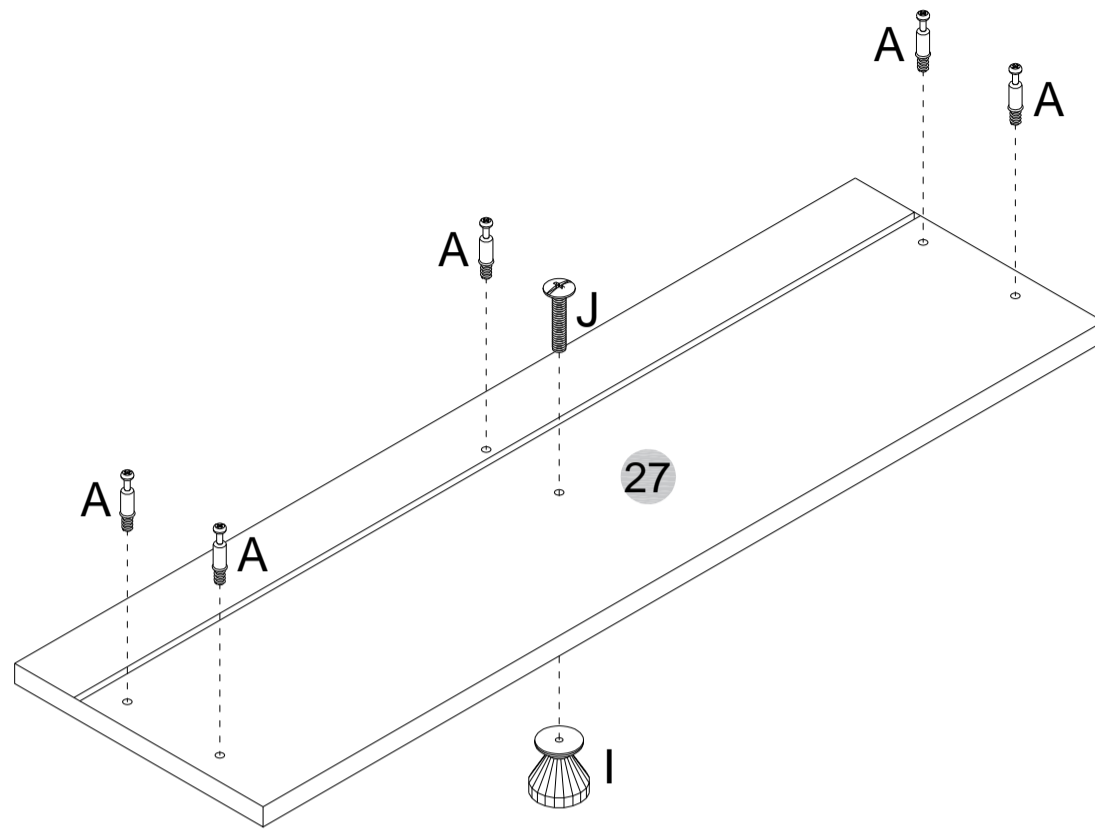
STEP 29



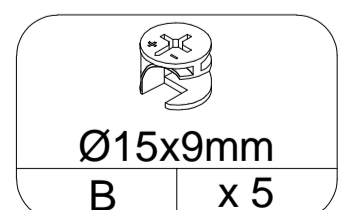
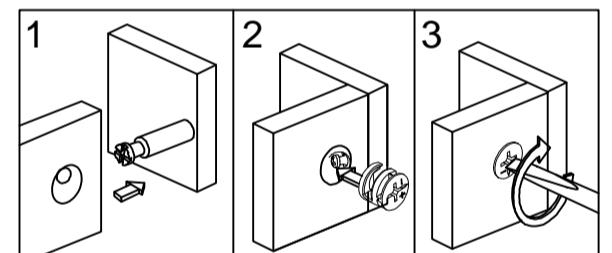
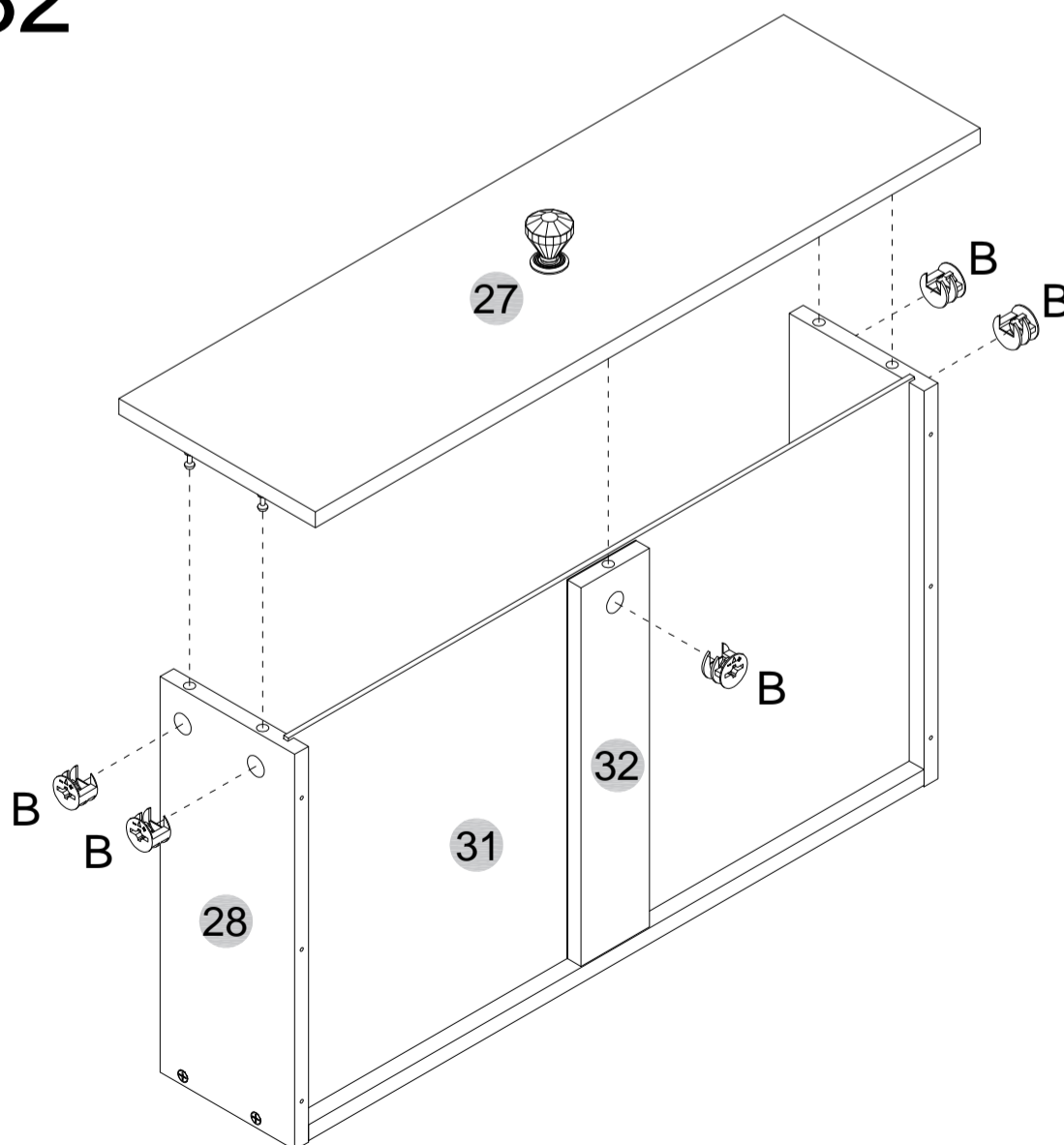
STEP 30



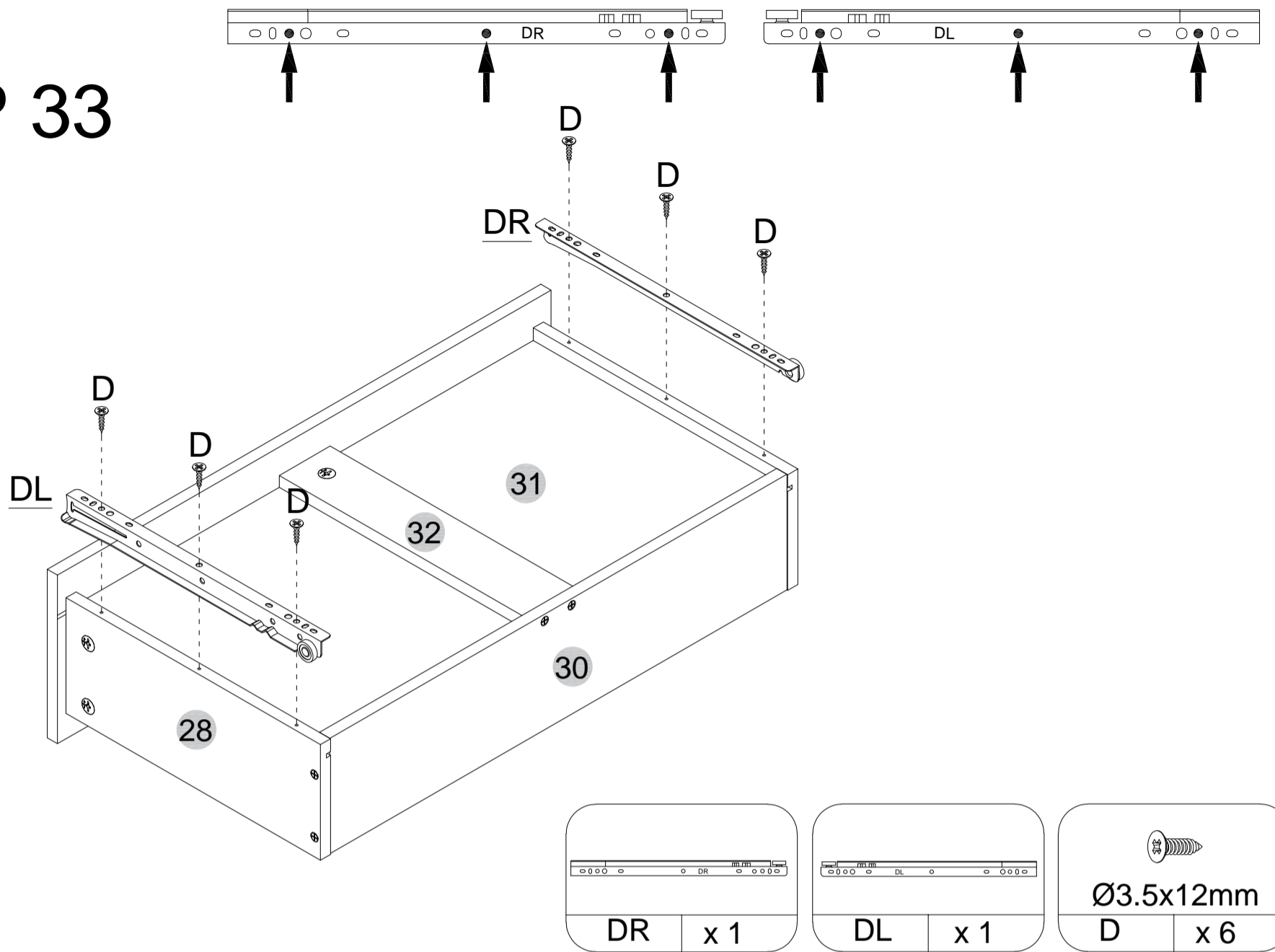
STEP 31



STEP 32

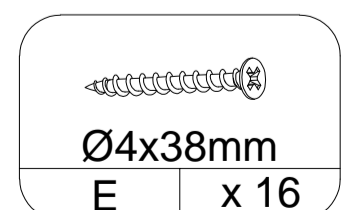
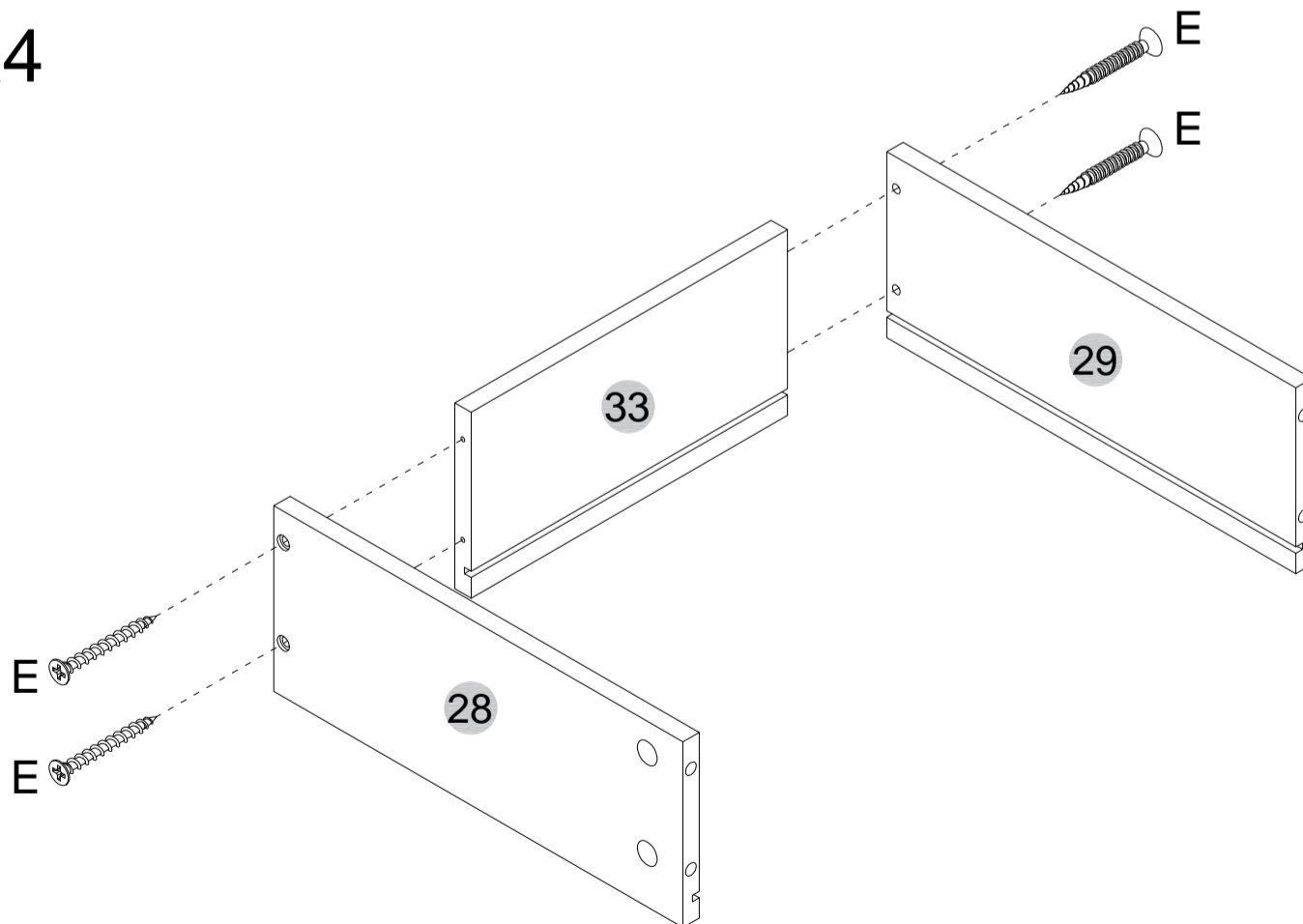


STEP 33



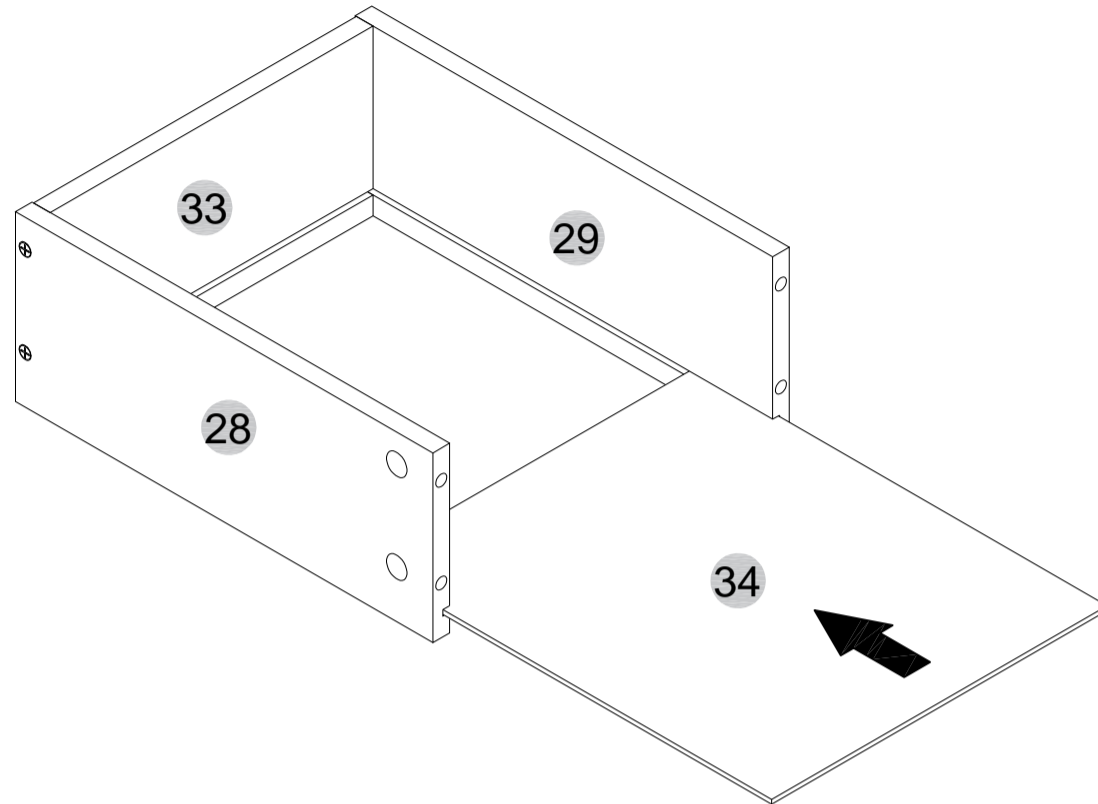
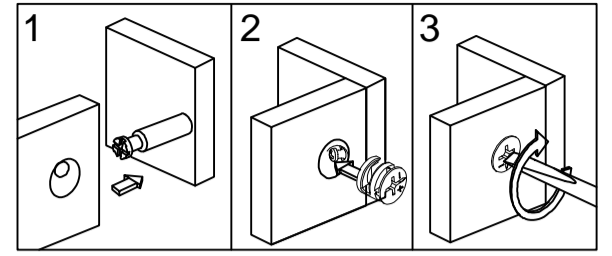
STEP 34

X4



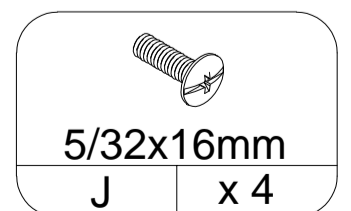
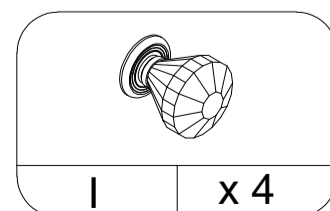
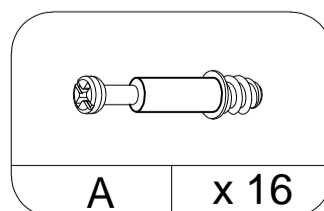
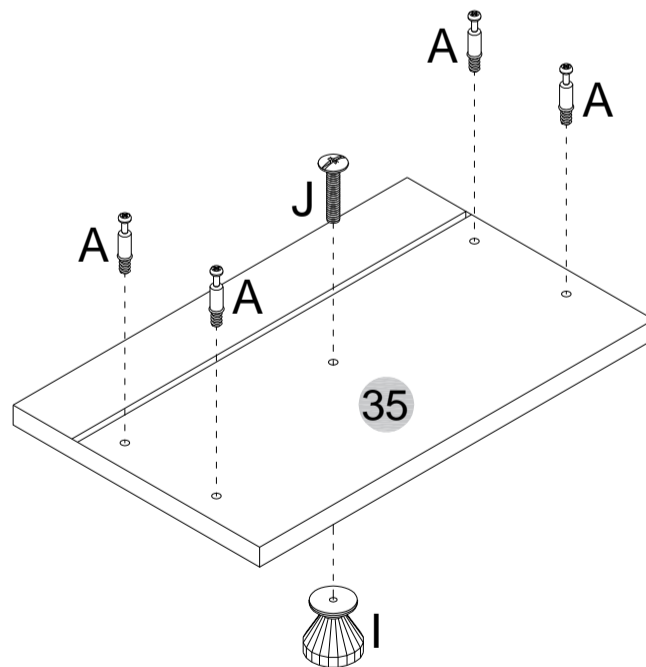
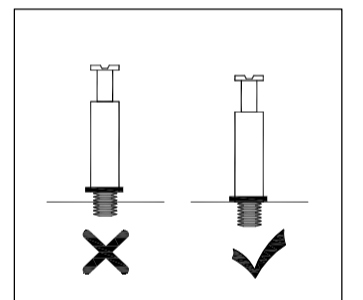
STEP 35

X4



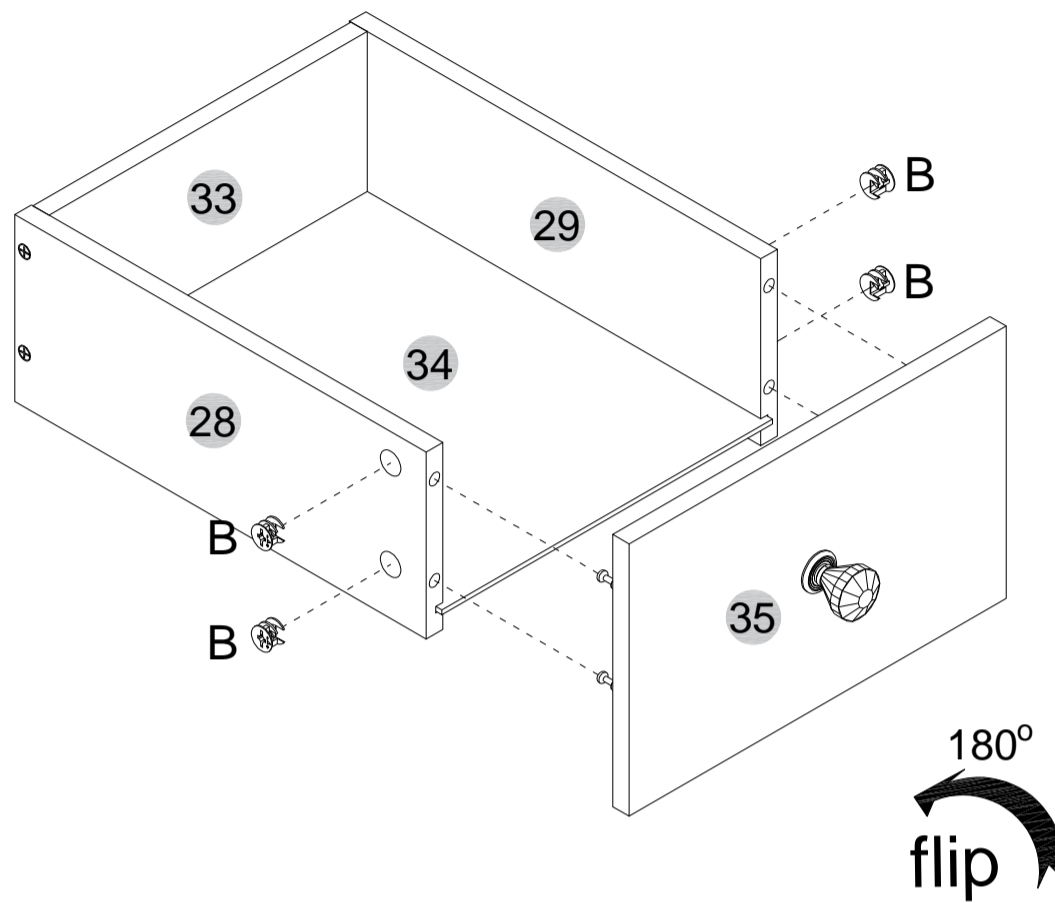
STEP 36


X4



STEP 37

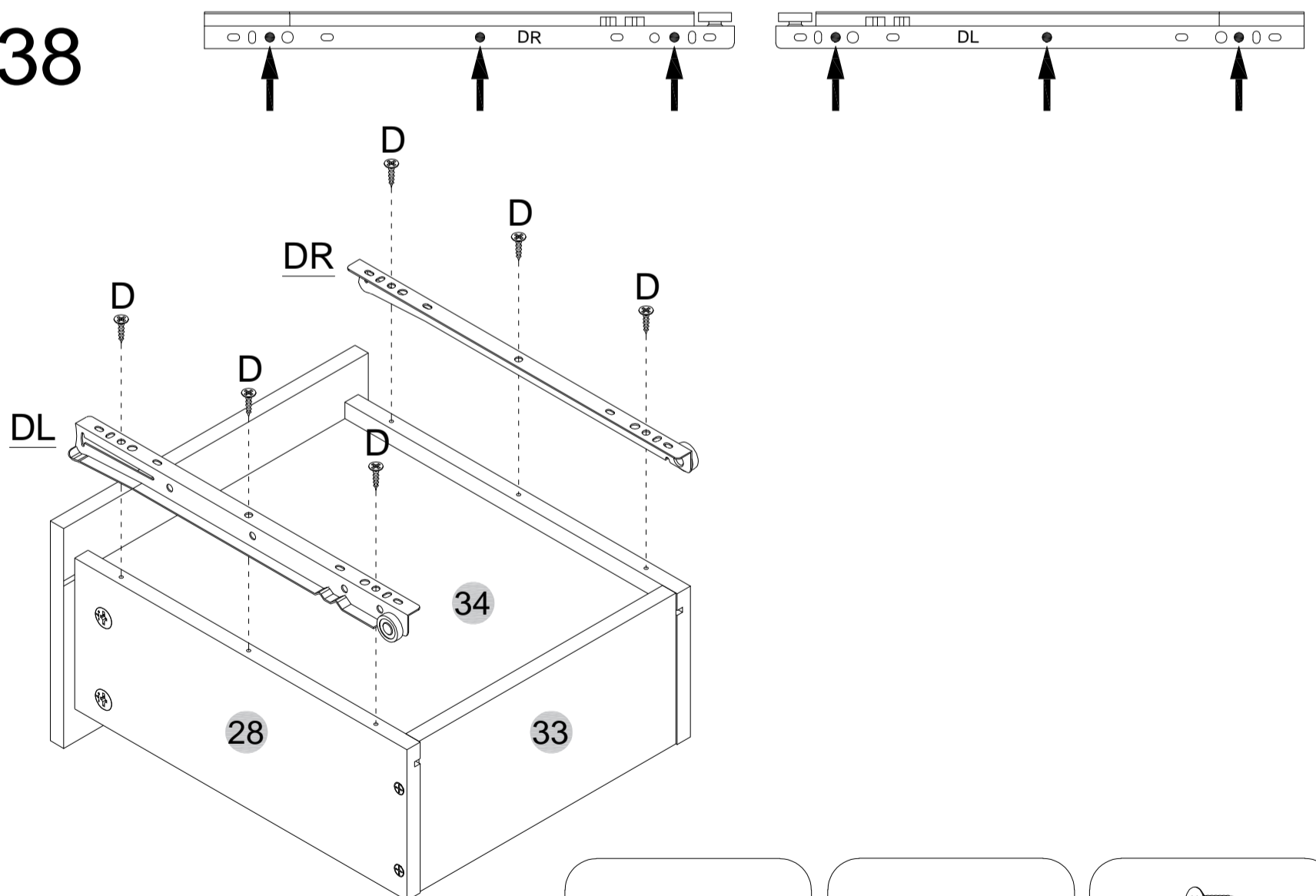
X4



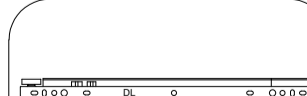
| | |
|---|------|
|  | |
| Ø15x9mm | |
| B | x 16 |

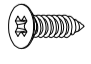
STEP 38

X4

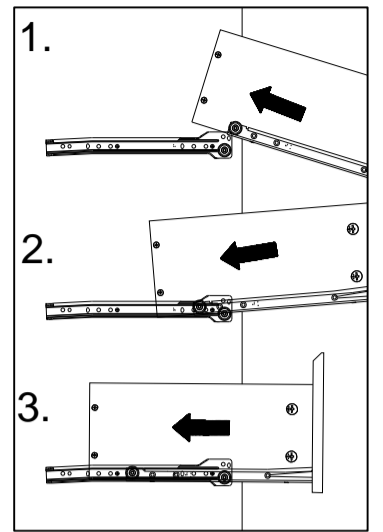
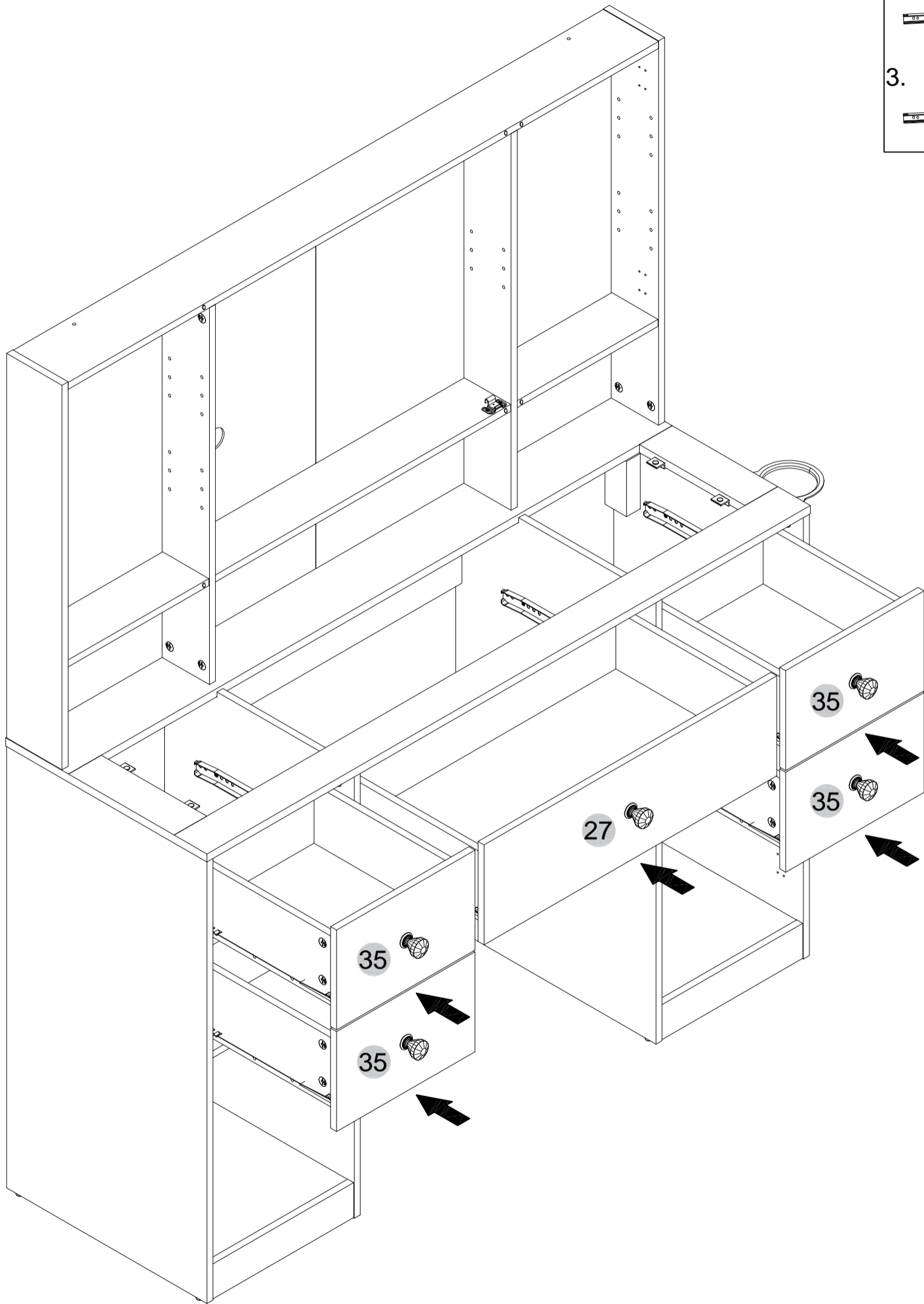


| | |
|---|-----|
|  | |
| DR | x 4 |

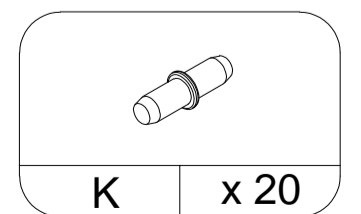
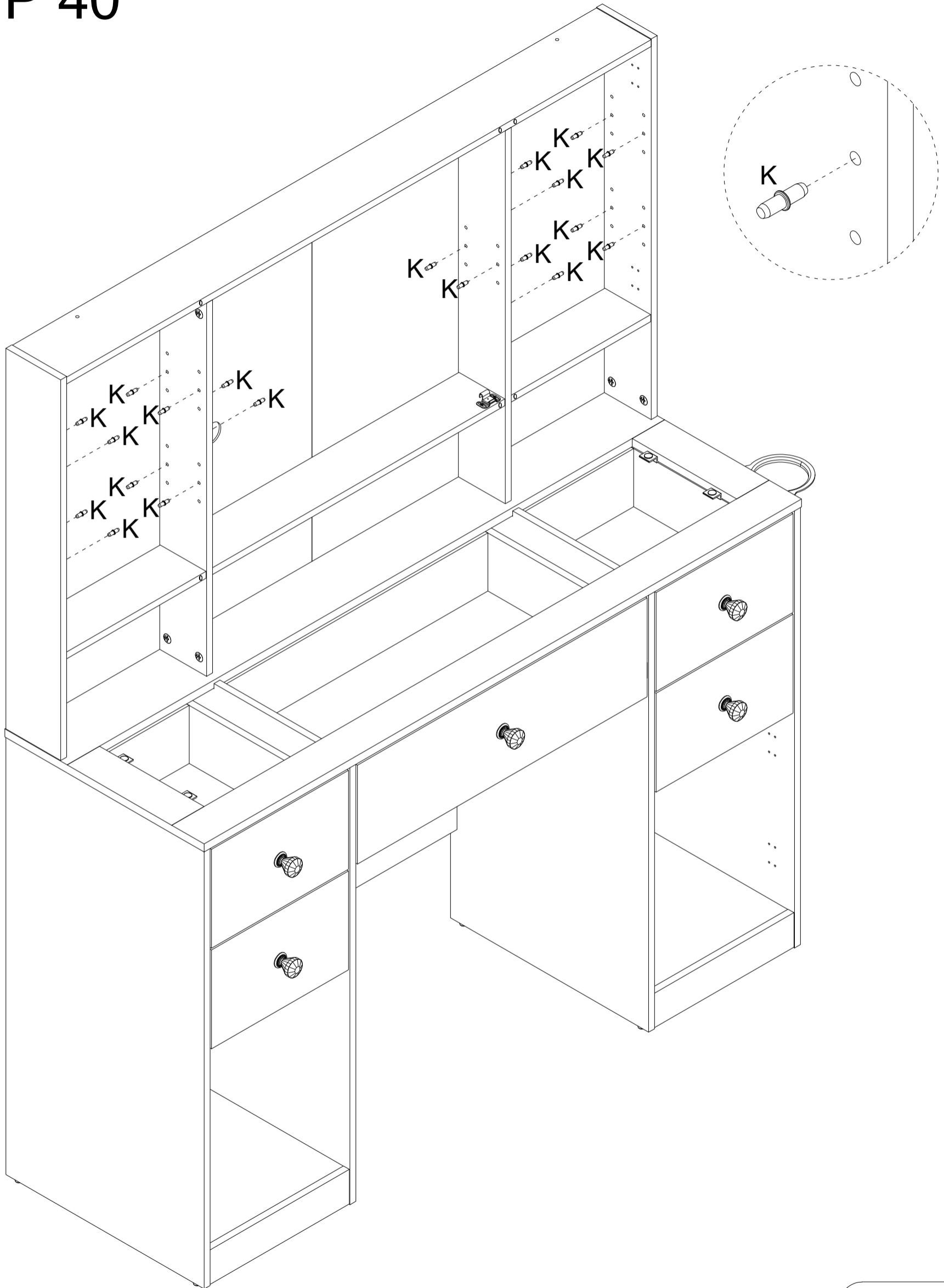
| | |
|---|-----|
|  | |
| DL | x 4 |

| | |
|---|------|
|  | |
| Ø3.5x12mm | |
| D | x 24 |

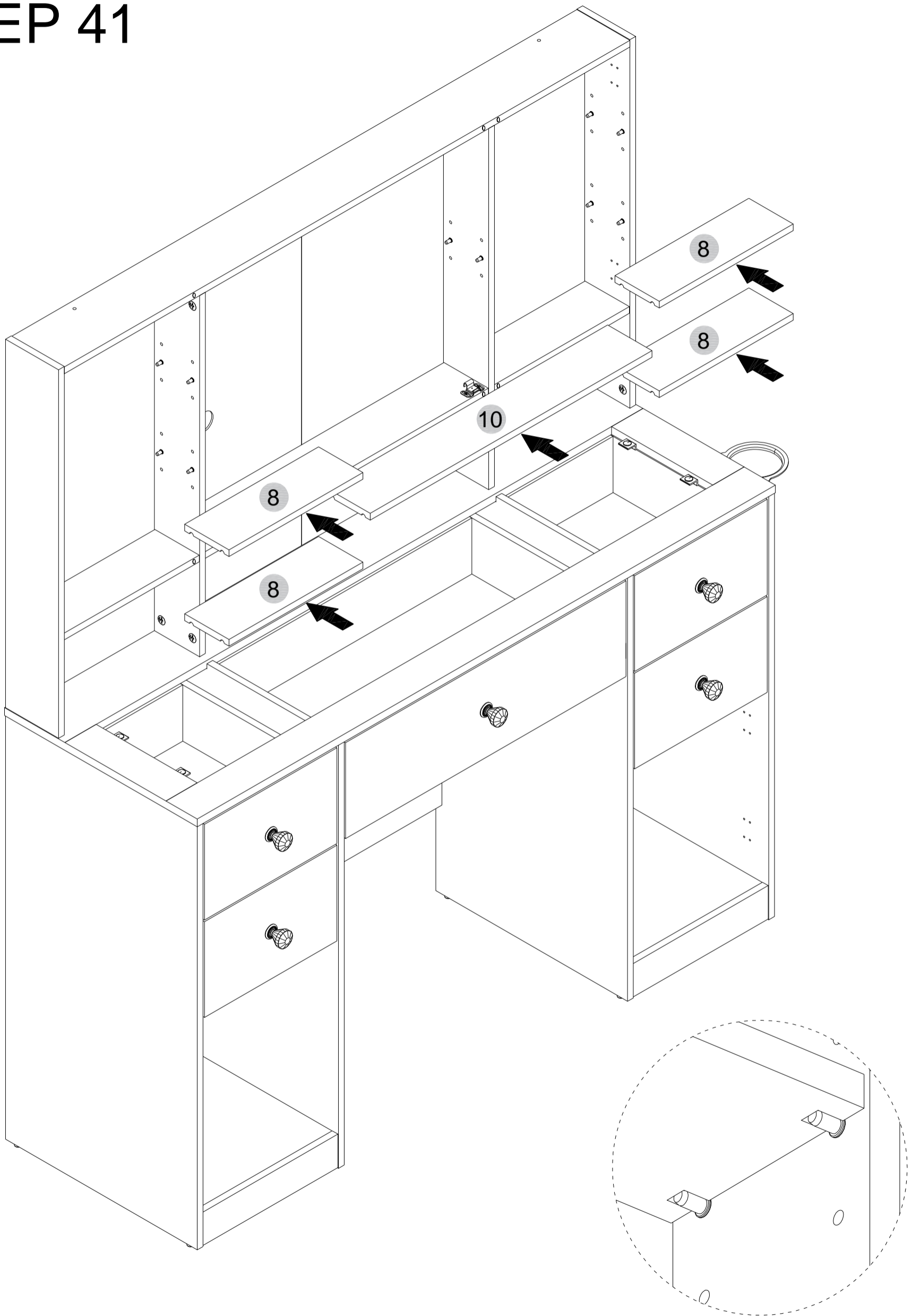
STEP 39



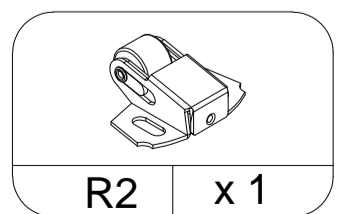
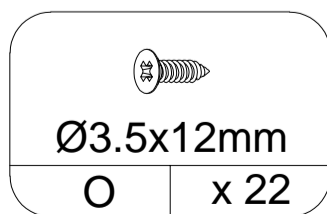
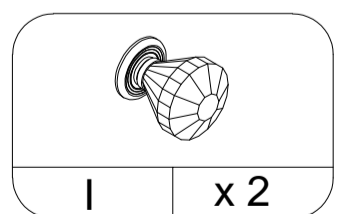
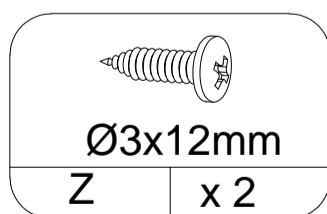
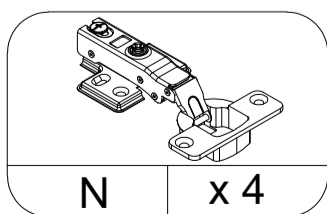
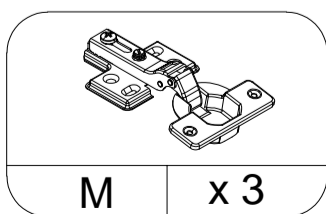
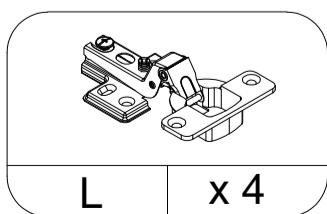
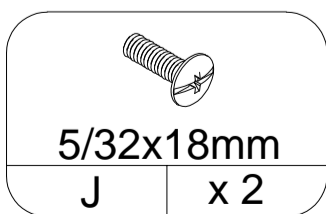
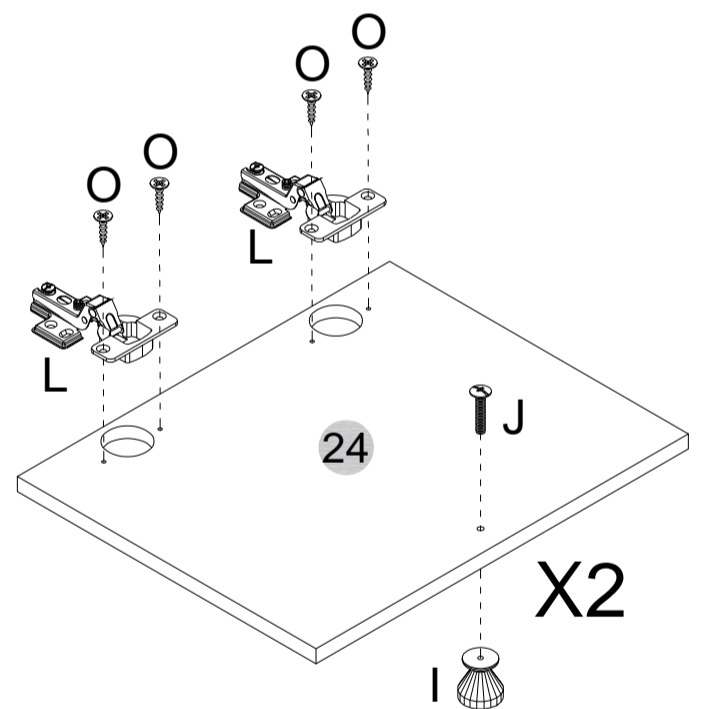
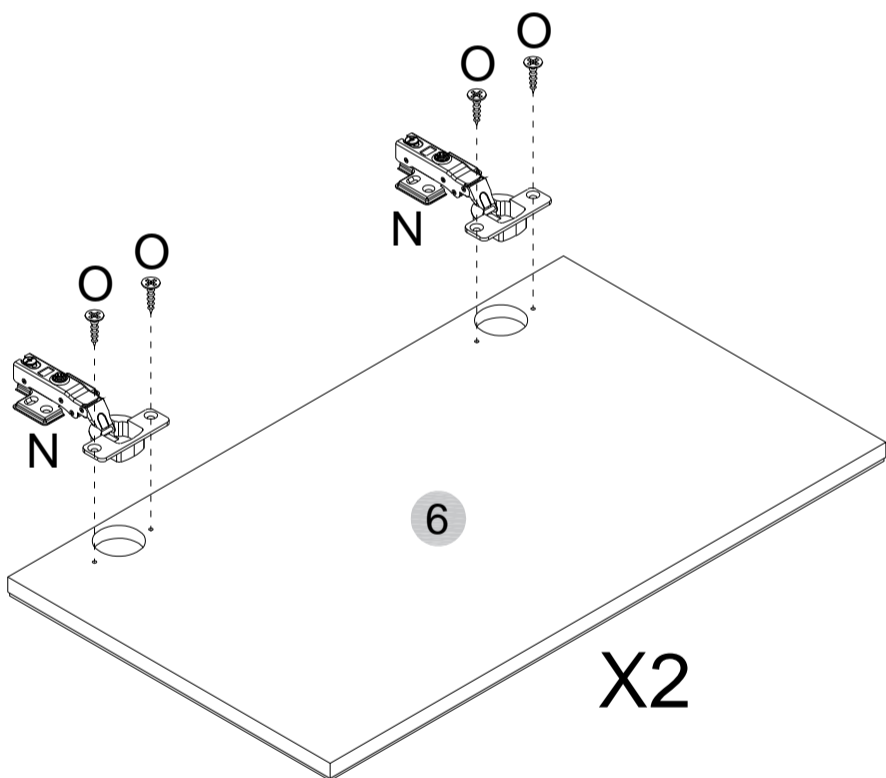
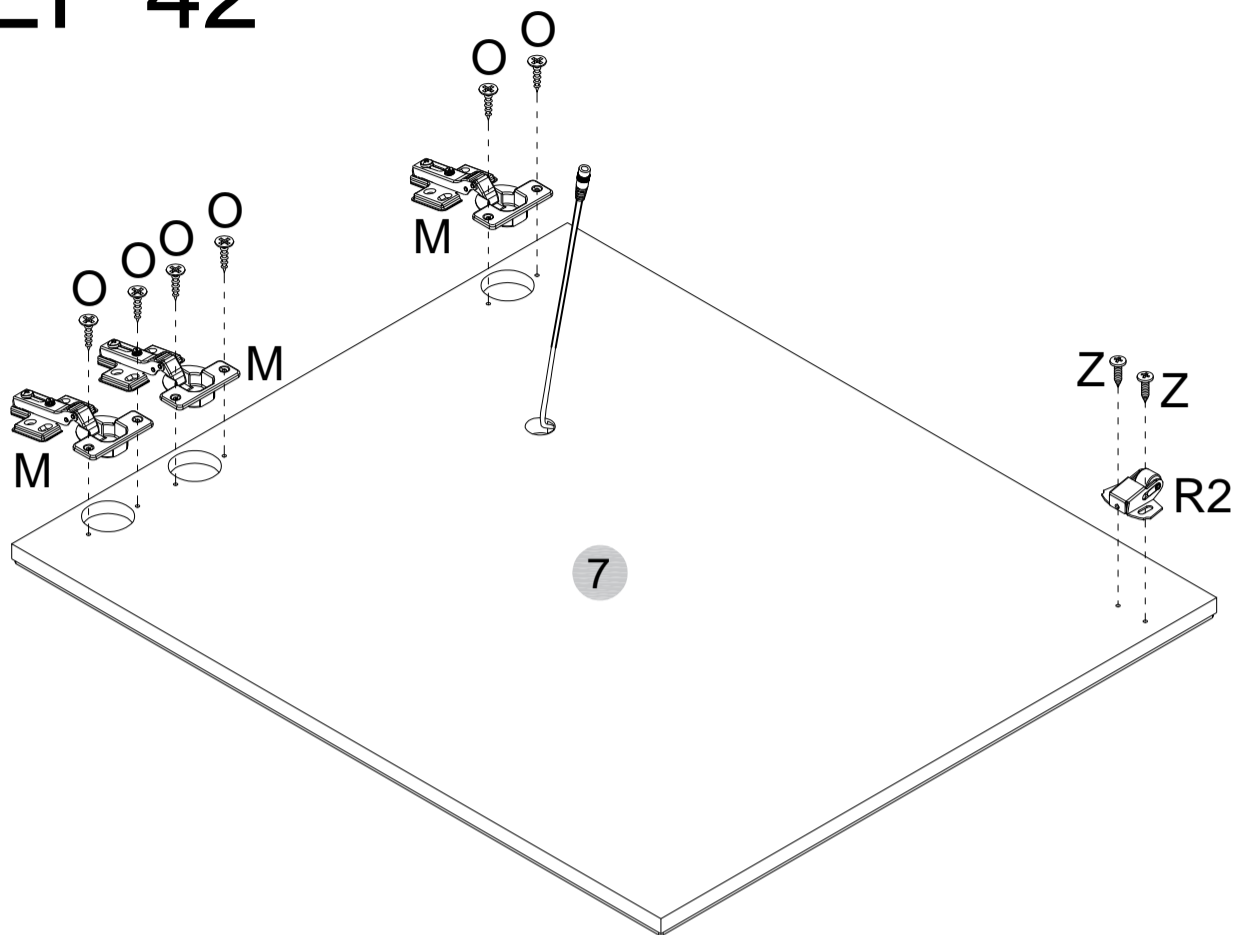
STEP 40



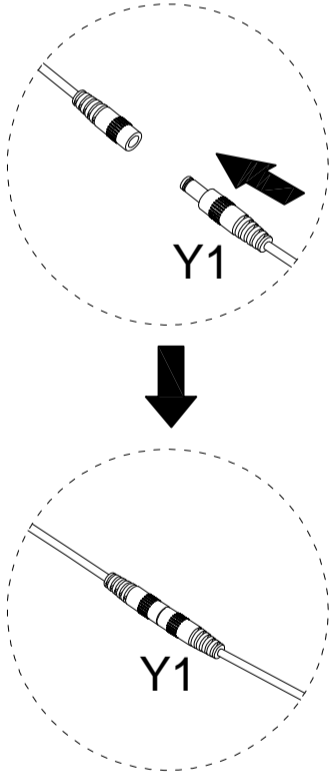
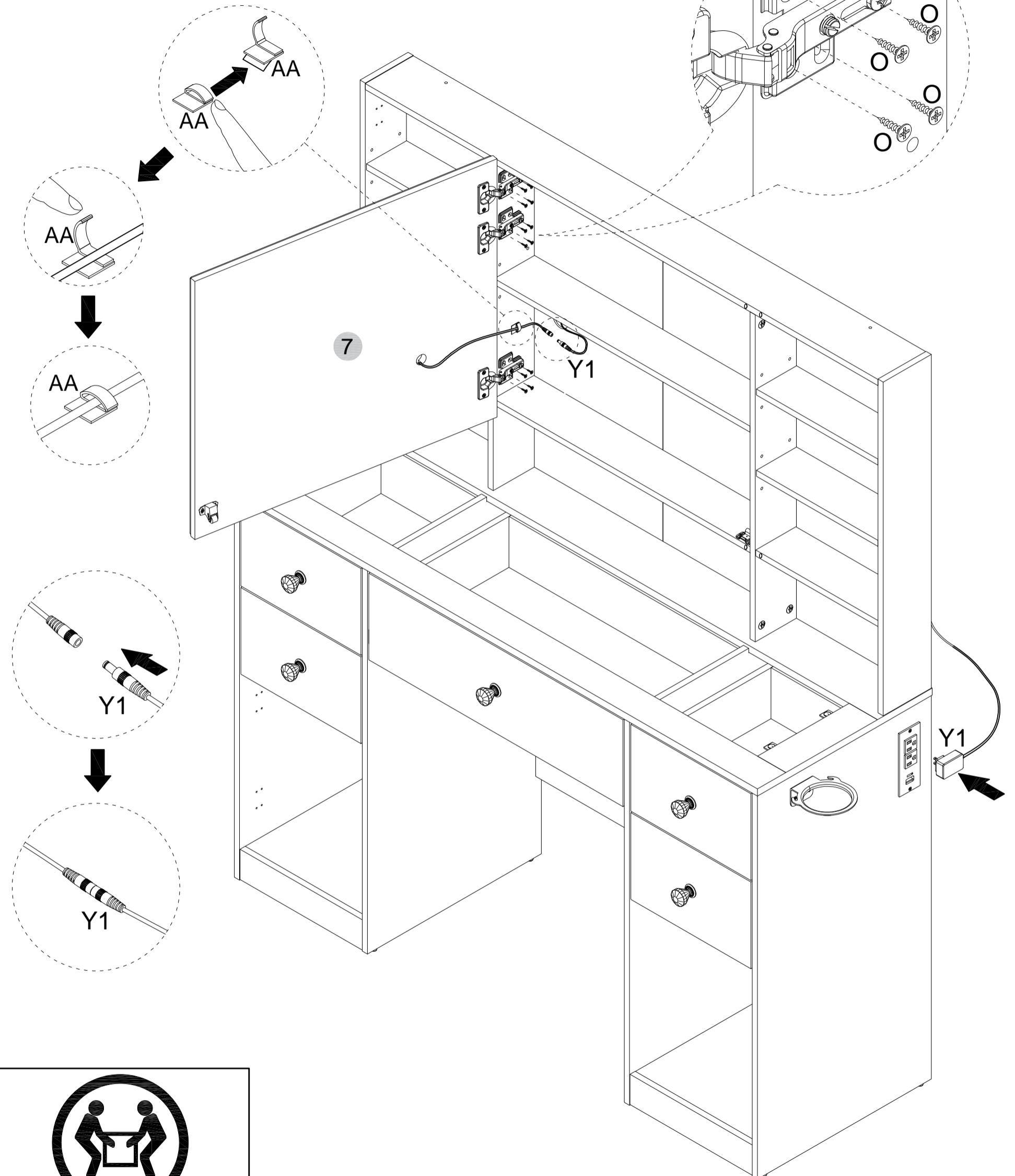
STEP 41



STEP 42




STEP 43



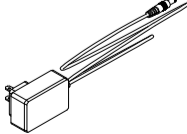


CAUTION: Heavy! You may need assistance with this step.

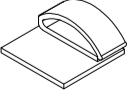


Ø3.5x12mm

| | |
|---|------|
| O | x 12 |
|---|------|

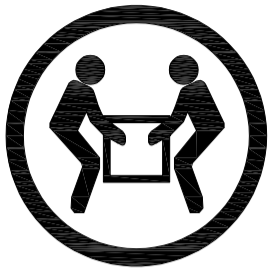


| | |
|----|-----|
| Y1 | x 1 |
|----|-----|

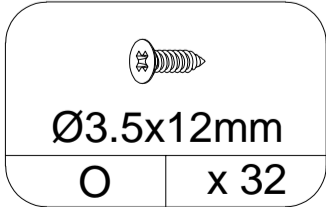
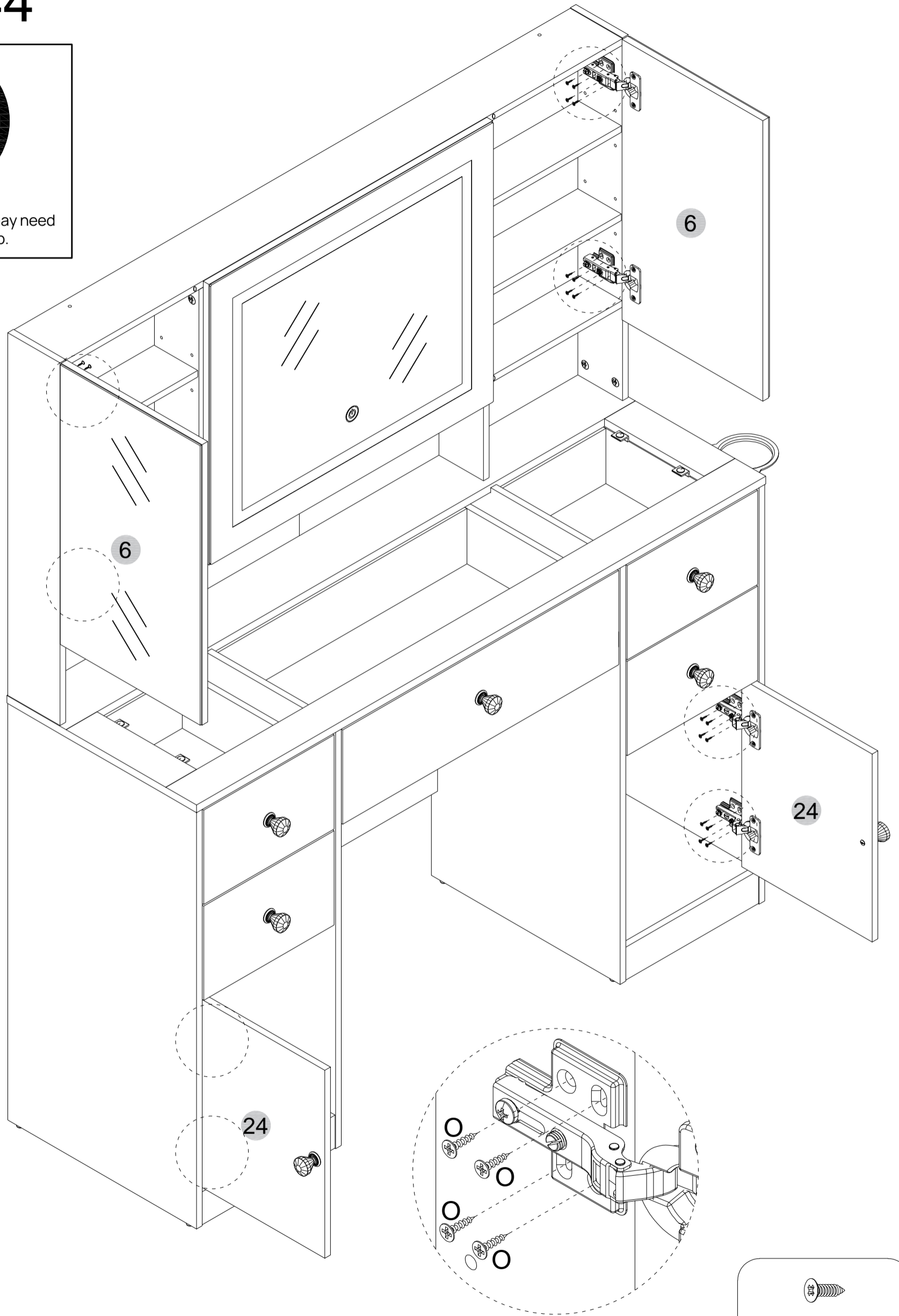


| | |
|----|-----|
| AA | x 1 |
|----|-----|

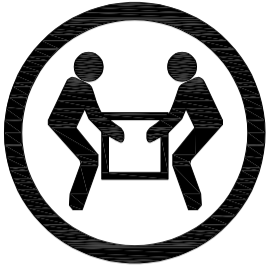
STEP 44



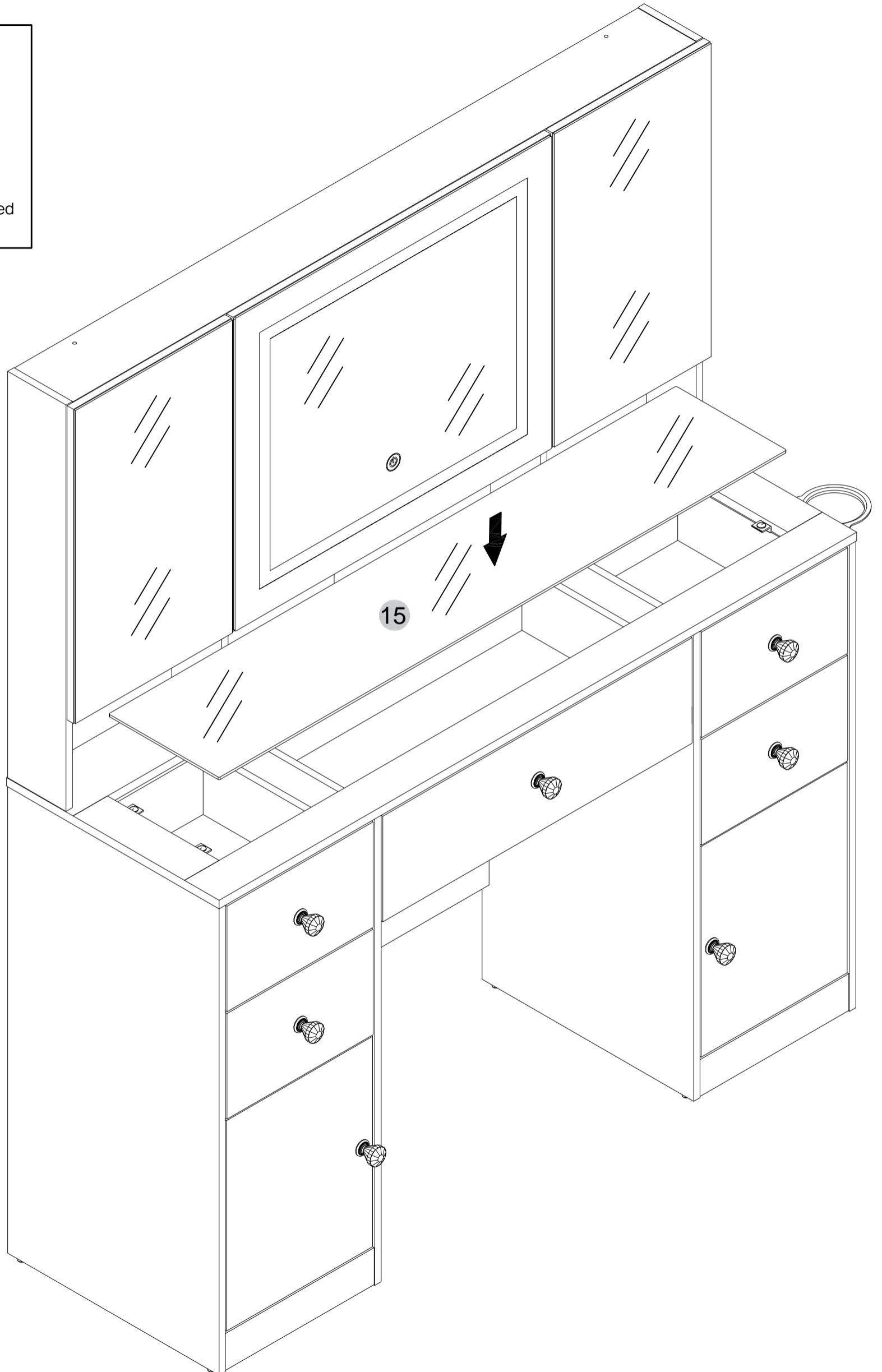
CAUTION: Heavy! You may need assistance with this step.



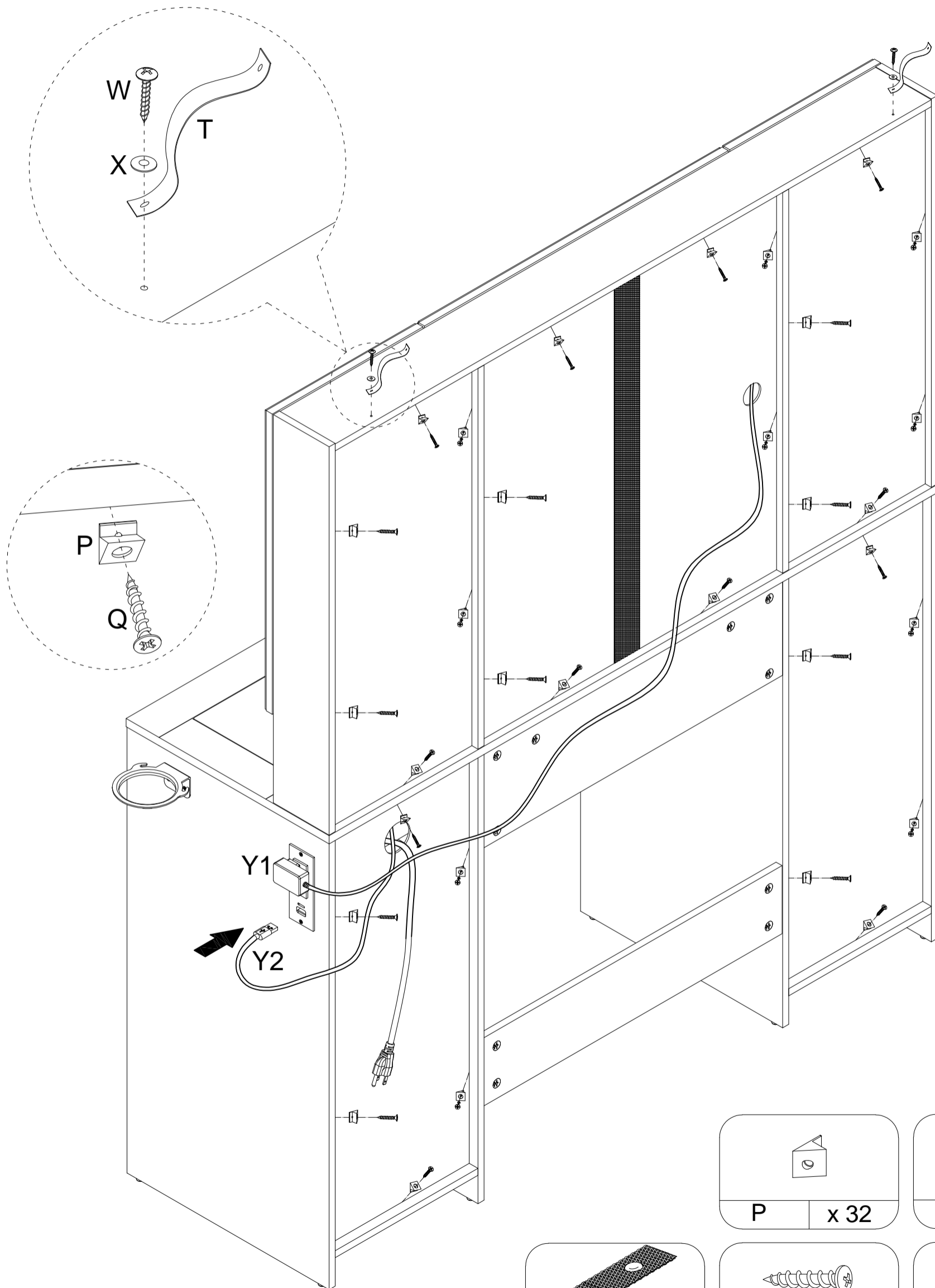
STEP 45

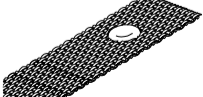



CAUTION: Heavy! You may need assistance with this step.





STEP 46




| | |
|---|-----|
|  | |
| 25x150mm | |
| T | x 2 |

| | |
|---|------|
|  | |
| P | x 32 |

| | |
|---|------|
|  | |
| Ø3x17mm | |
| Q | x 32 |

| | |
|---|-----|
|  | |
| Ø4x12mm | |
| W | x 2 |

| | |
|---|-----|
|  | |
| X | x 2 |

STEP 47

WALL

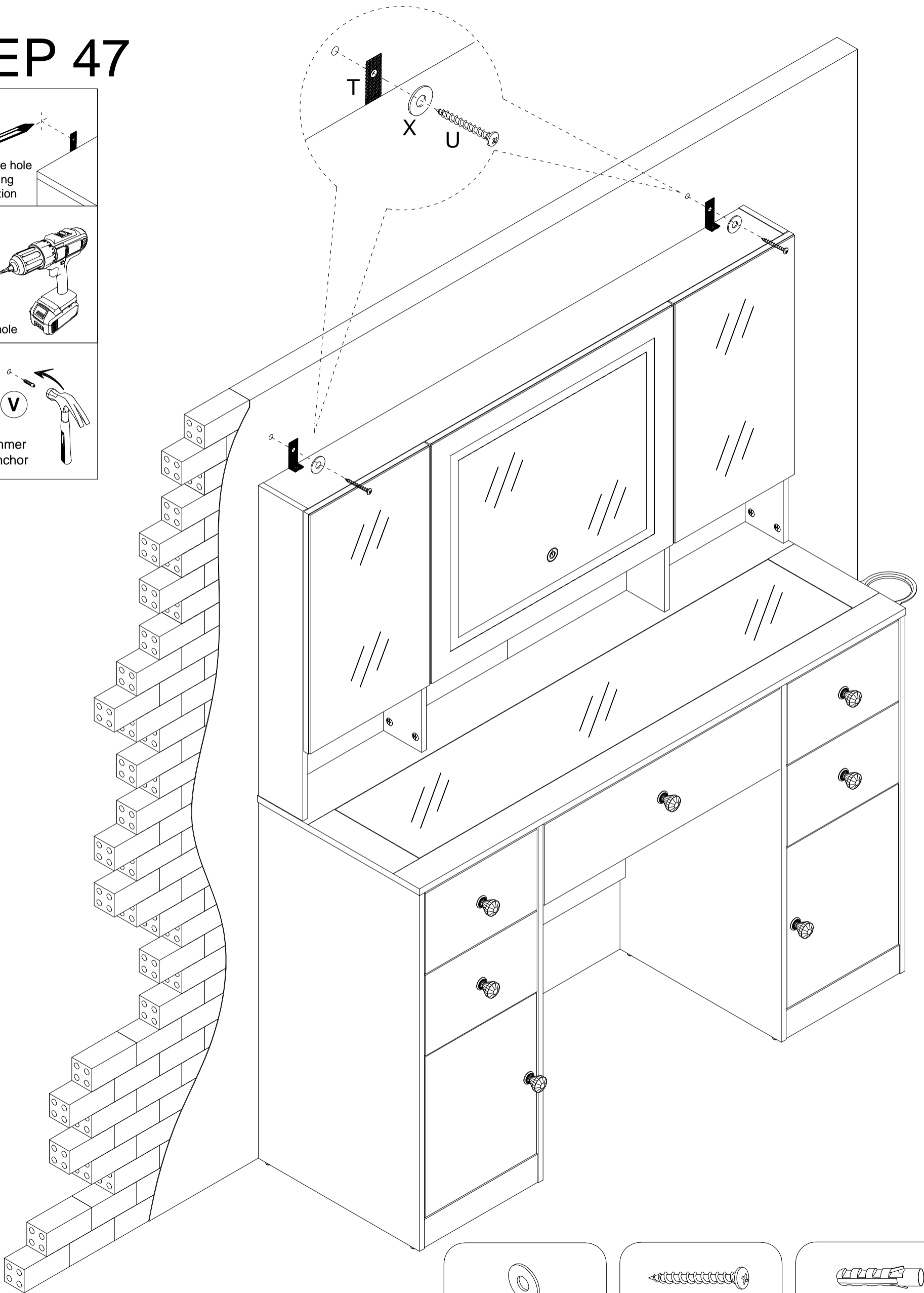
I Mark the hole drilling location


WALL


II Drill a hole

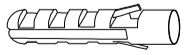
WALL

V Use a hammer to close anchor

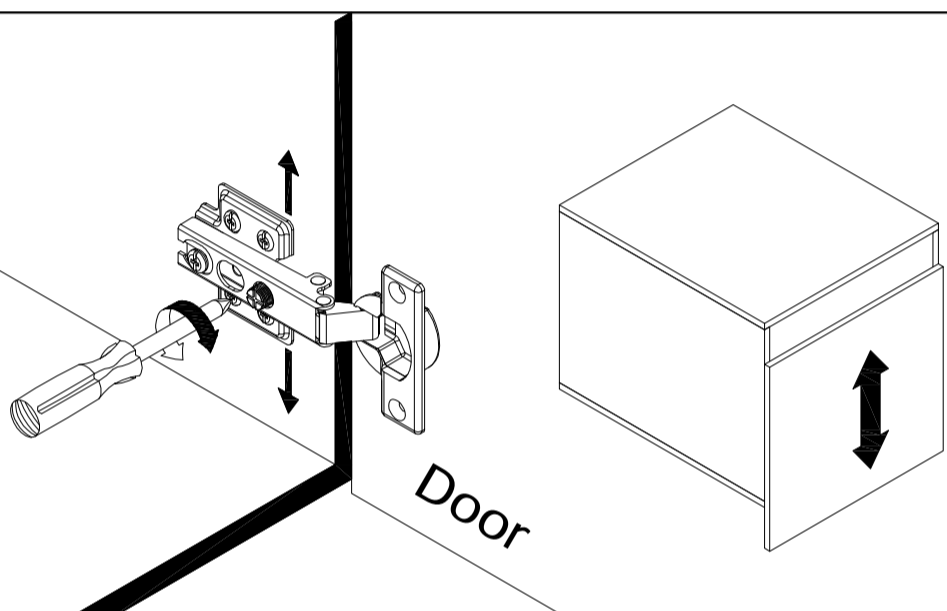
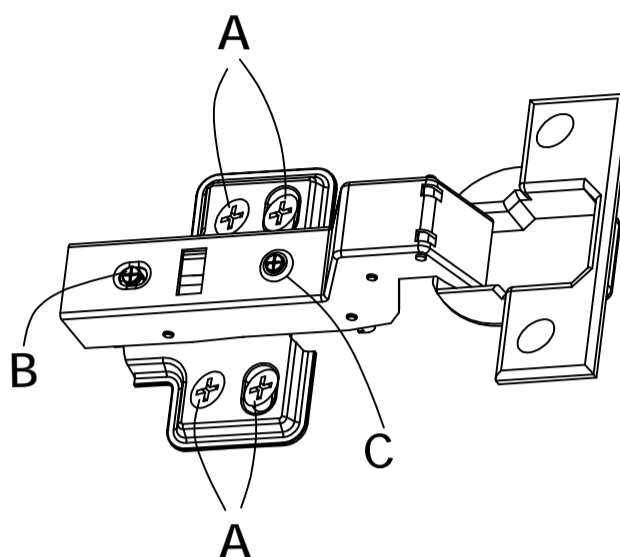


| | |
|---|-----|
|  | |
| X | x 2 |

| | |
|---|-----|
|  | |
| Ø4x30mm | |
| U | x 2 |

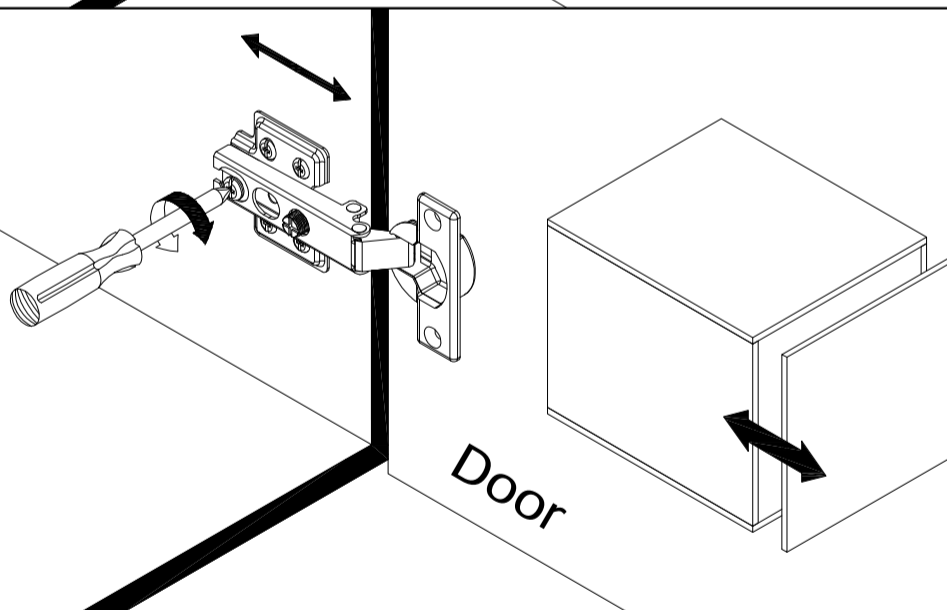
| | |
|---|-----|
|  | |
| 8x30mm | |
| V | x 2 |

STEP 48



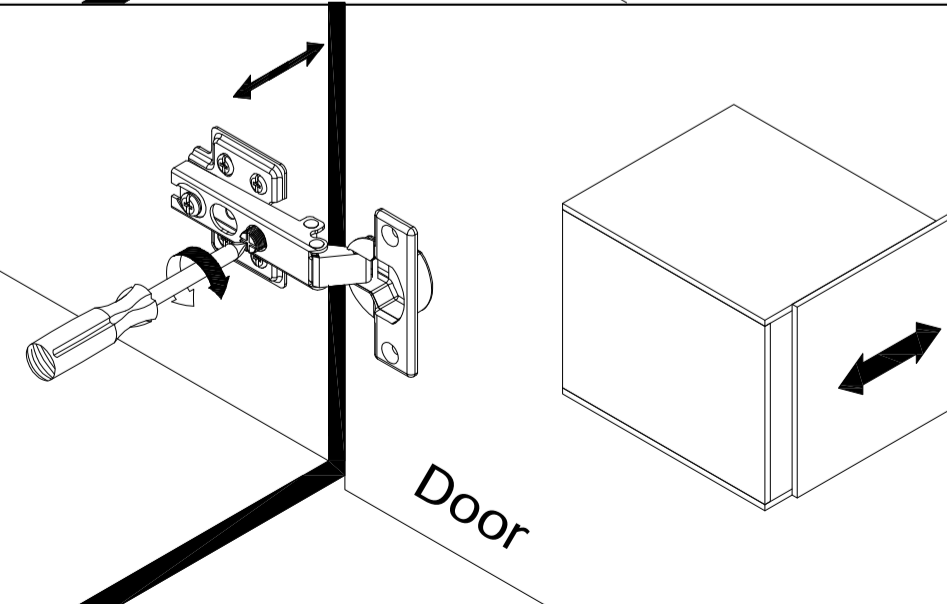
- To adjust the vertical height.

Loosen the four screws "A" on both hinges. Two of them are usually in slotted holes which mean and you can adjust up or down by a few mm. Then tighten back up.



- To adjust depth.

Loosen screw "B" and adjust door, if the door can not be adjusted, please loosen screw "C", then try again. Tighten screw "B" and "C".



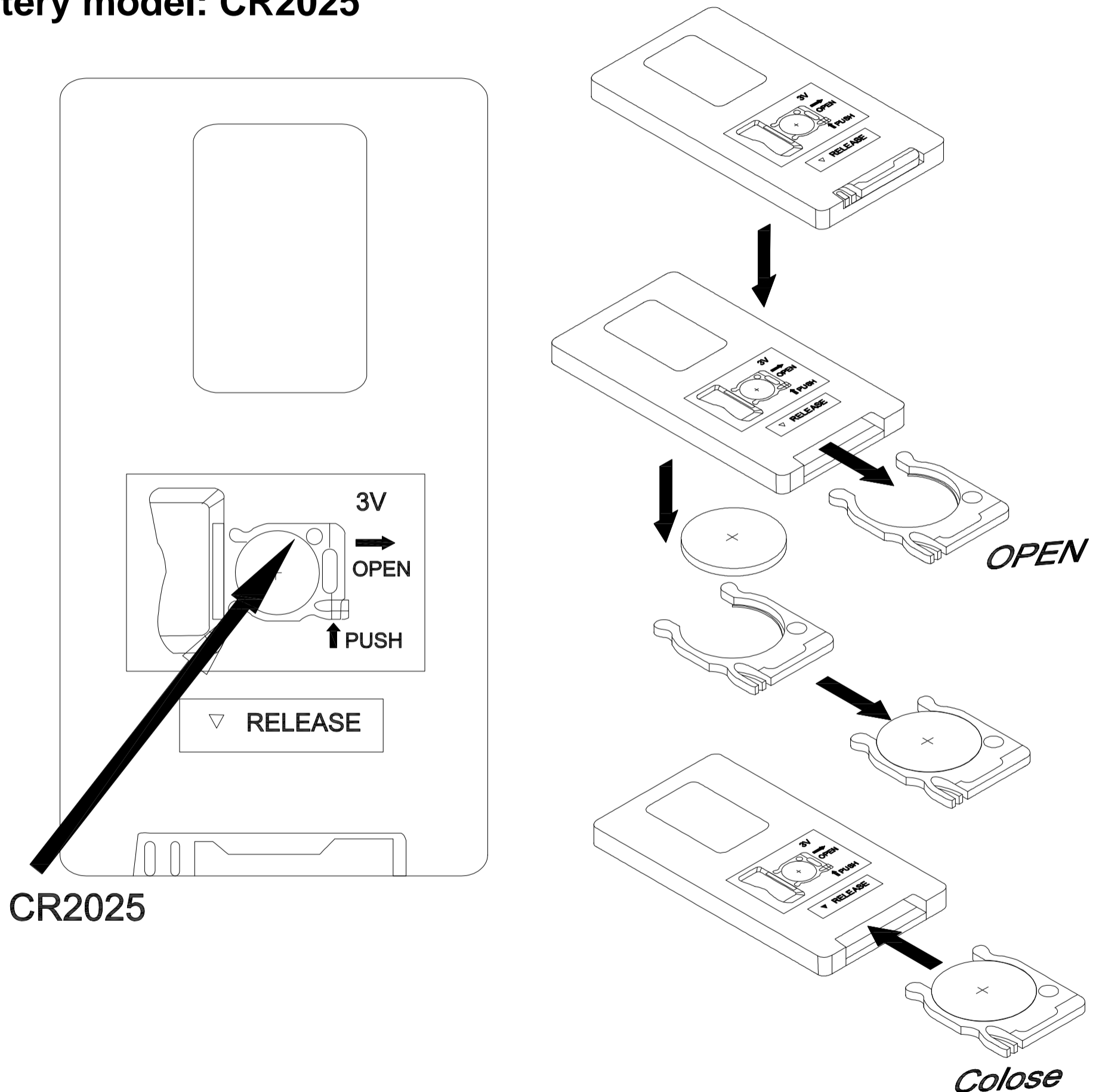
- To adjust side ways.

Turning the screw "C" on BOTH hinges on each door.

STEP 49

LED light

You need to install the battery before using the remote control
Please purchase the appropriate battery model yourself.
Battery model: CR2025



If the lights are not working properly, please check the following:
1. Please check the remote control sensor cover,
2. Don't use the remote too far from the receiver, may sure you have a clear line of sight.

FURNITURE CARE AND MAINTENANCE

Medium - Density Fiberboard and PB

Thank you for your purchase. We want your item to last as long as possible. To ensure the product gives you years of service, please refer to this care and maintenance guide.

MAINTENANCE



- Tighten all bolts and screws again within the first 2 weeks of assembly
- Check the tightness of all bolts every 2 months, tighten them if necessary

CLEANING



- Clean the surface of the MDF (medium - density fiberboard) or PB with a lightly dampened cloth.
- Small amount of mild soap can be used if necessary
- Dry the surface immediately after cleaning.

⚠ DO NOT use bleach or alcohol detergent to clean the surface.

⚠ DO NOT apply wood treatment on parts made with MDF and PB.

Medium - density fiberboard and PB will swell and distort when suffer from water damage.

Make sure to dry the furniture immediately after cleaning