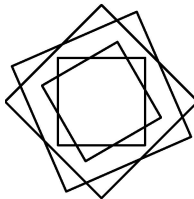
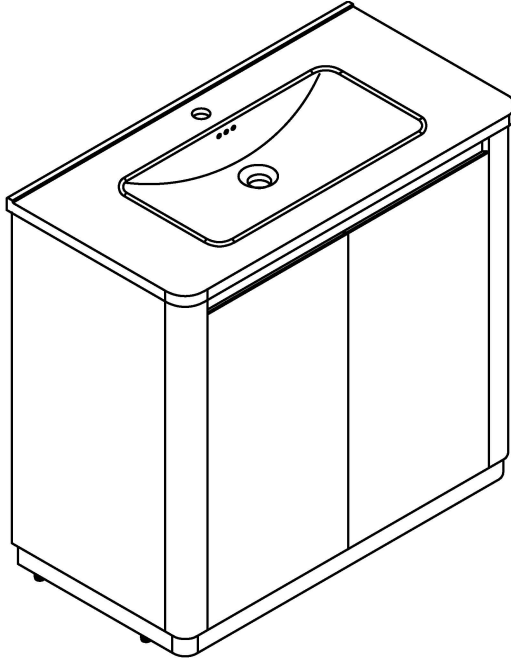




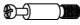


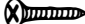







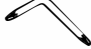
Installation Manual



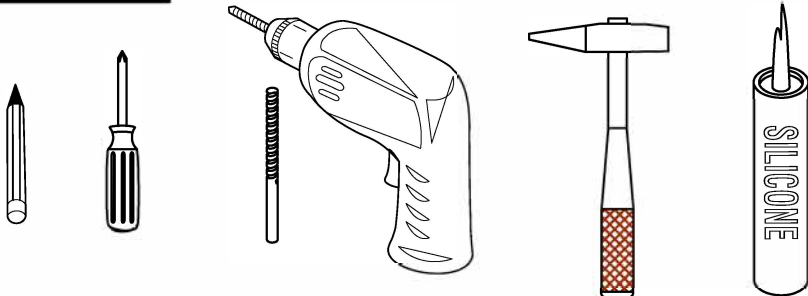
Thank you for shopping with us!

We encourage you to take a few minutes to go through this booklet. It contains important information on installation and care tips to keep your furniture looking as good as new.

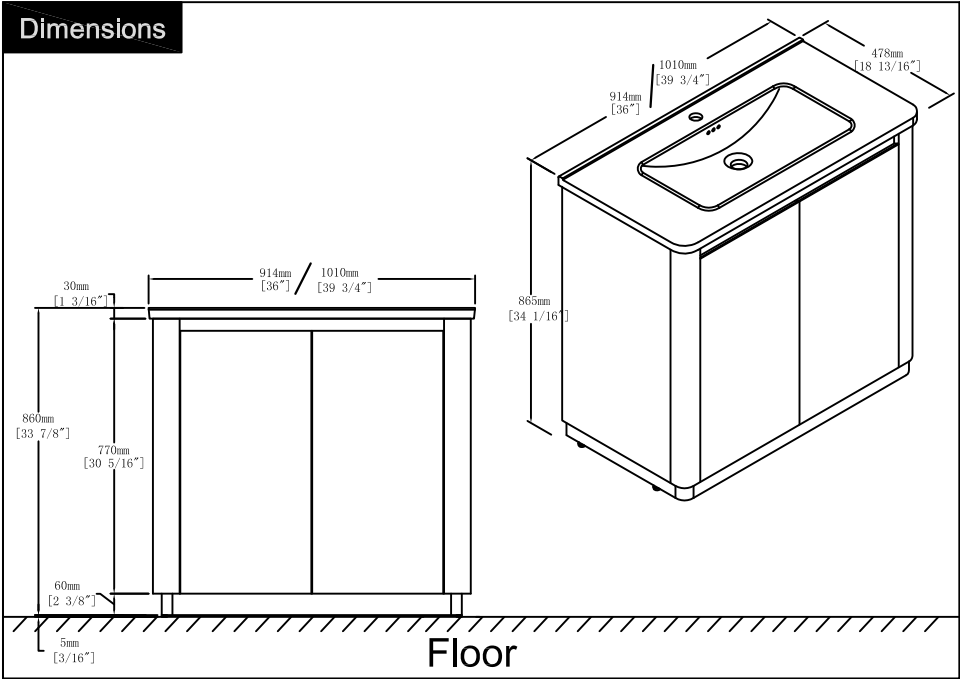
Hardware

NO.	Draw	QTY	NO.	Draw	QTY
A	 Screws Ø4x14mm	44	H	 Bracket (19x19x35mm)	2
B	 Two-in-one connector	29	I	 Hinges(Internal hiding)	4
C	 Two-in-one connector	29	J	 Screws Ø4x25mm	6
D	 Wood plug	8	K	 Adjustable feet	4
E	 Plastic anchor(Ø10mm)	2	L	 Movable laminate support	4
F	 Screws for fix on the wall	2	M	 Anti-collision gasket	4
G	 Bracket (53x70x44mm)	2	N	 Screwdriver	1

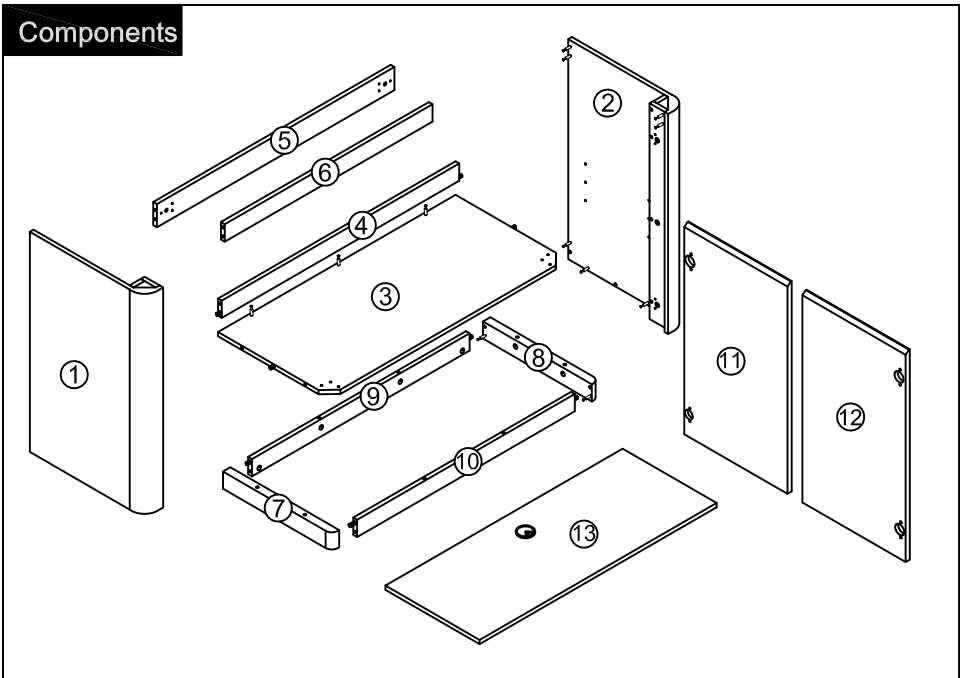
Recommended tools



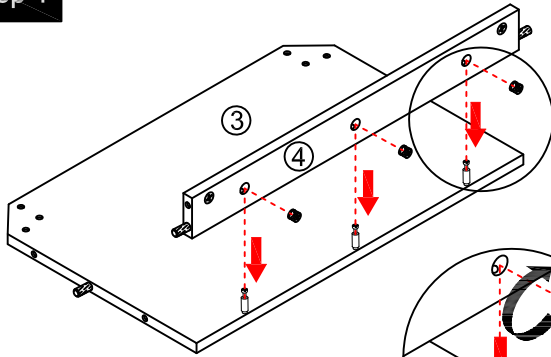
Dimensions

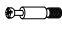




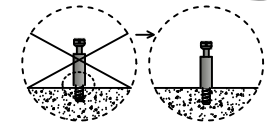
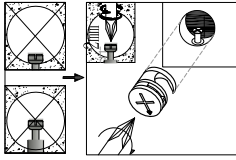
Components



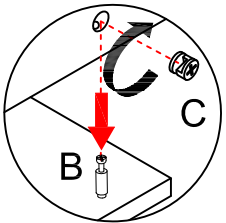
Step 1



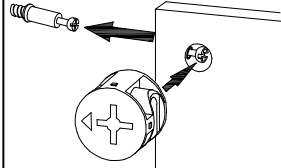
-  x3
- B**
-  x3
- C**
- 
- N**



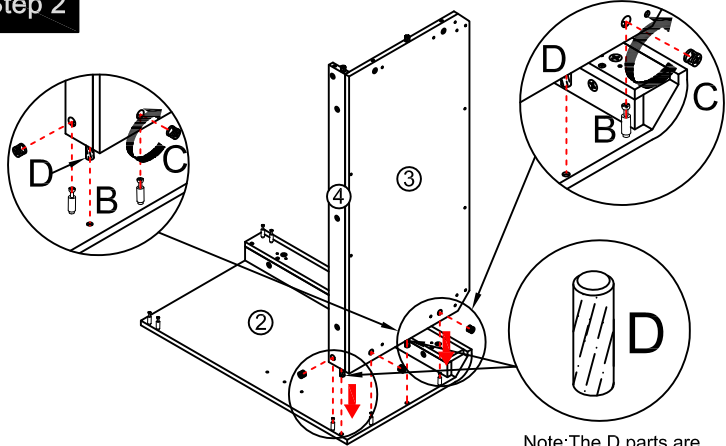
Notes: Screw installation depth as shown

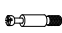


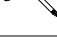


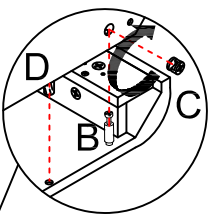
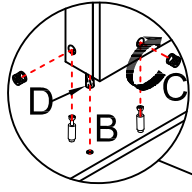
Attention: Cam lock arrow point to the steel rod.



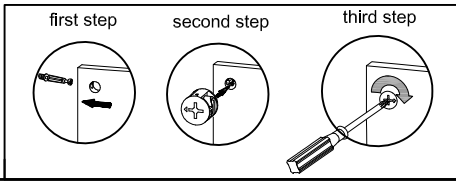
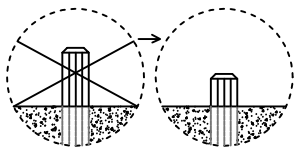
Step 2



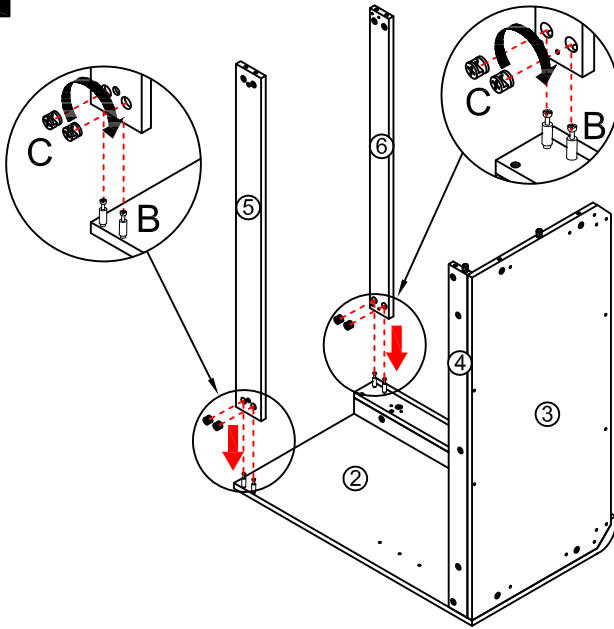
-  x3
- B**
-  x3
- C**
-  x2
- D**
- 
- N**

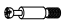

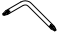


Note: The D parts are used for these two holes

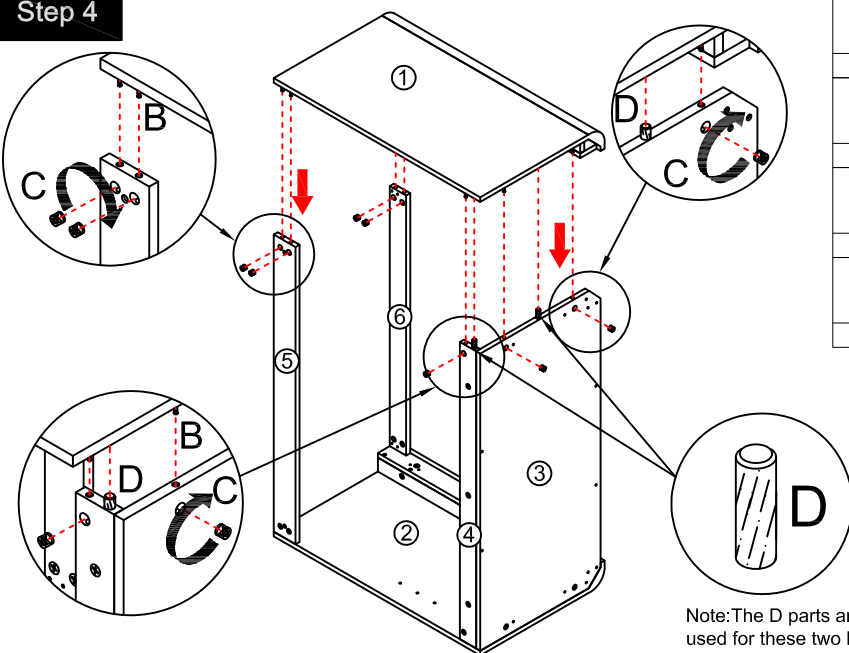


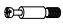



Step 3



-  x4
- B
-  x4
- C
-  N

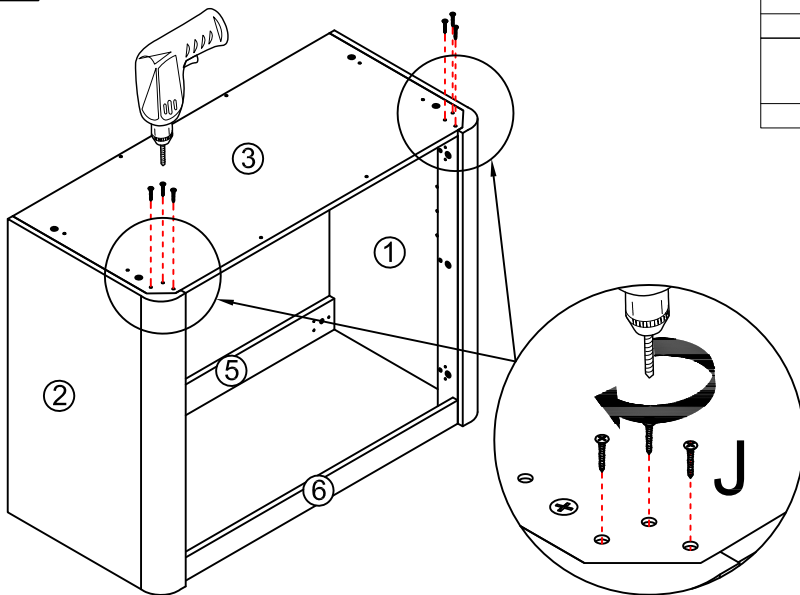
Step 4



-  x7
- B
-  x7
- C
-  x2
- D
-  N

Note: The D parts are used for these two holes

Step 5



($\varnothing 4 \times 25\text{mm}$)

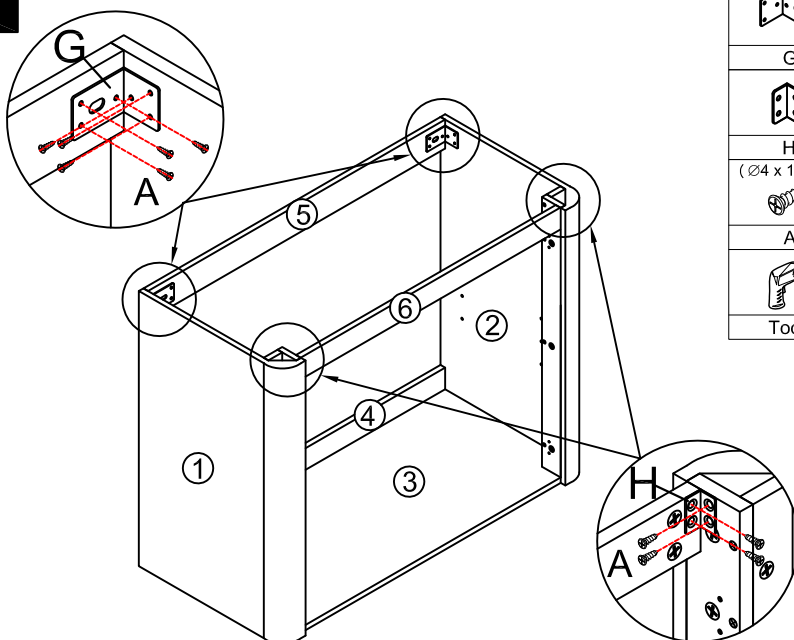
x6

J



Tool

Step 6



x2

G

x2

H

($\varnothing 4 \times 14\text{mm}$)

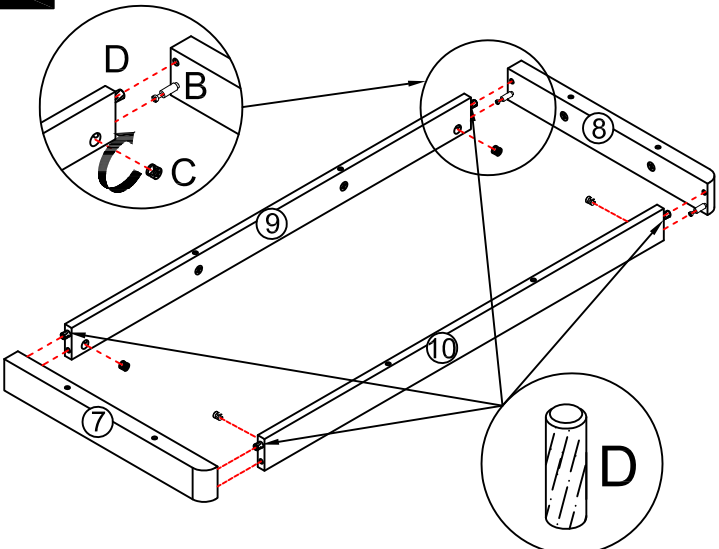
x20

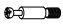



A



Tool

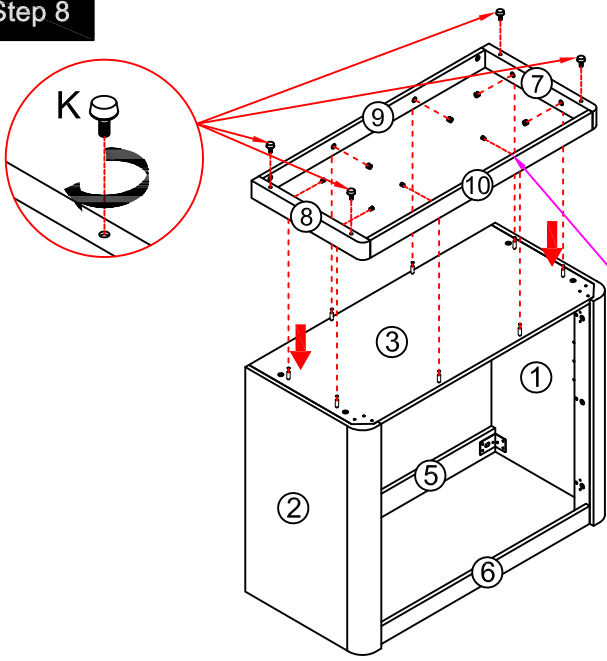
Step 7

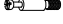


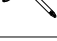


	x4
B	
	x4
C	
	x4
D	
	
N	

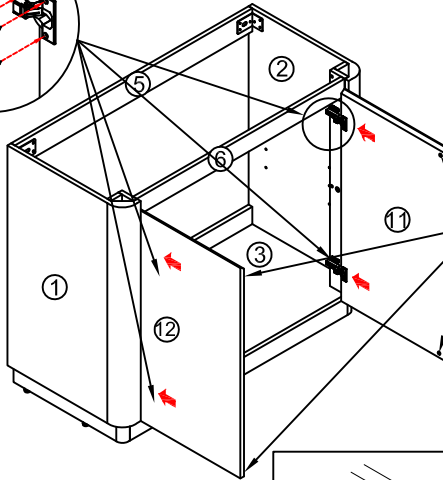
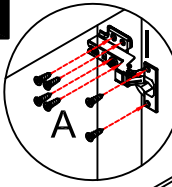
Note: The D parts are used for these four holes





Step 8



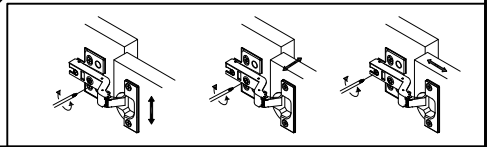
	x8
B	
	x8
C	
	x4
K	
	
N	

Step 9

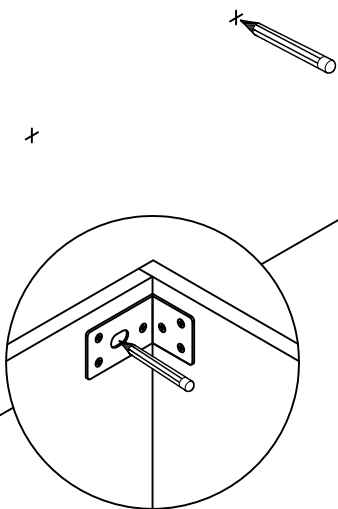


	x4
I	($\varnothing 4 \times 14\text{mm}$)
	x24
A	
	x4
M	
	
Tool	

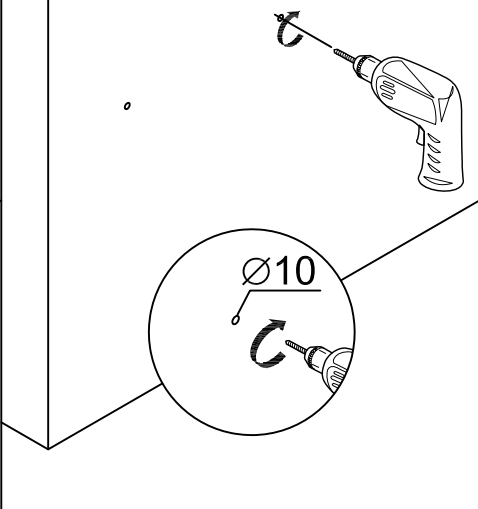
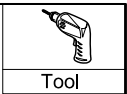
You can adjust the doors by tightening or loosening the screws on the hinge. →





Step 10

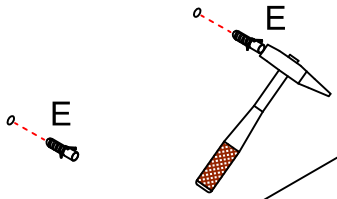


Step 11





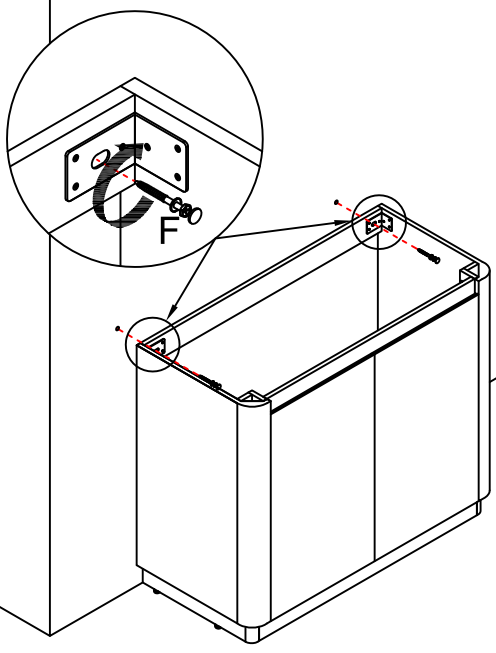
Step 12

	x2
E	
	
Tool	

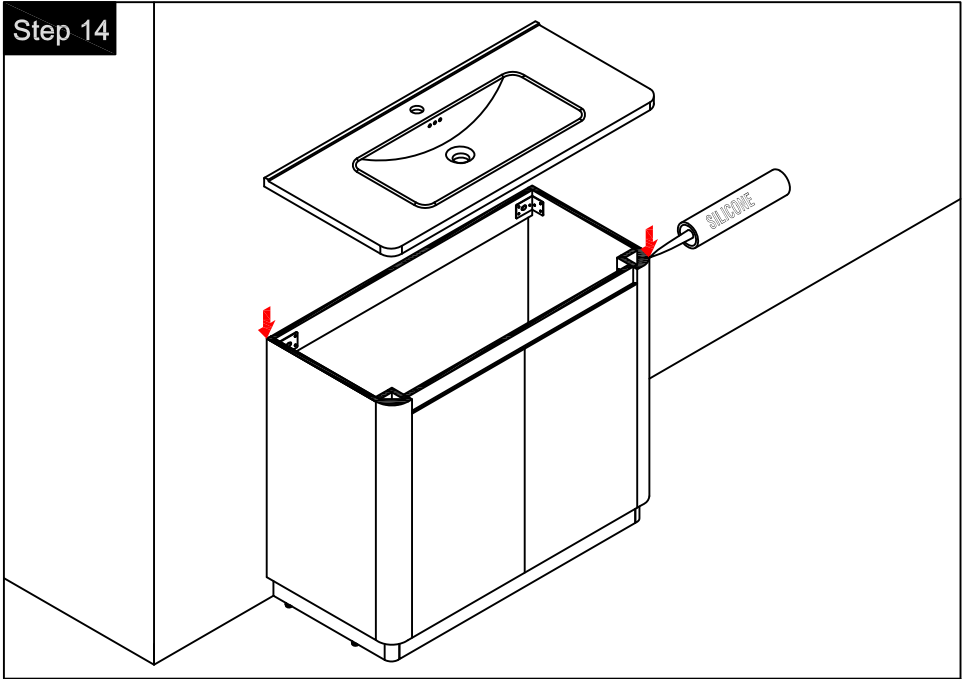


Step 13

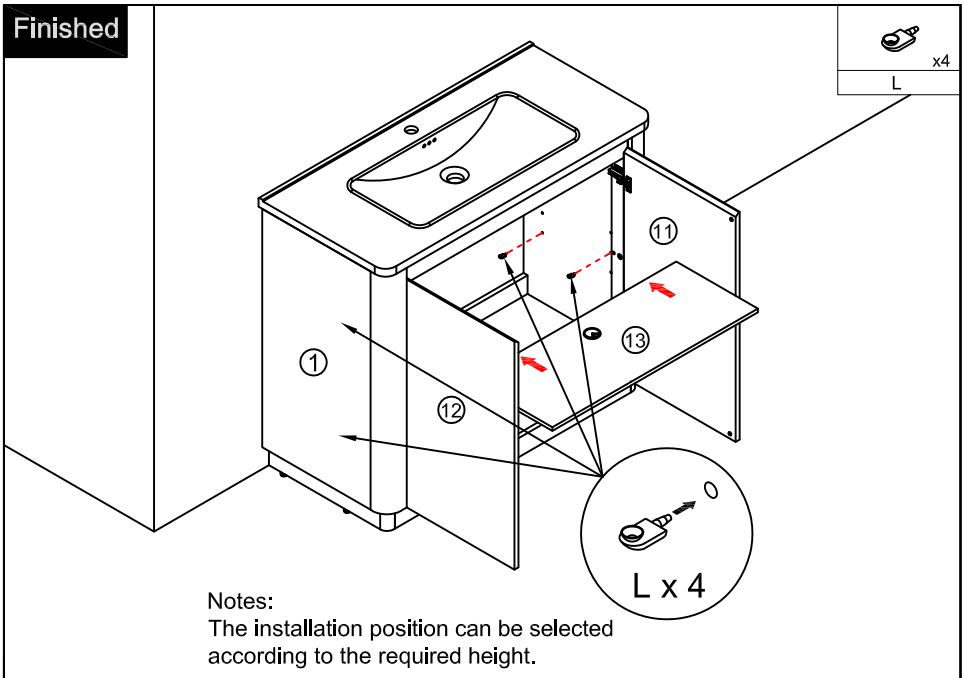
	x2
F	
	
Tool	



Step 14

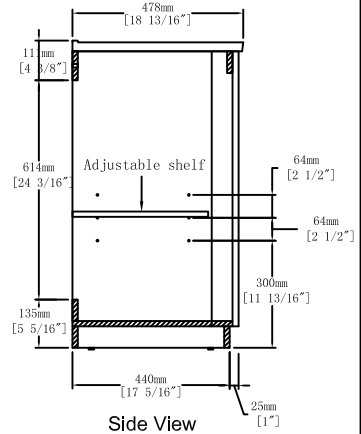
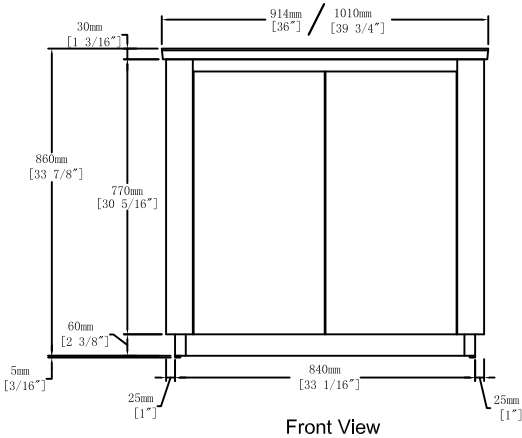
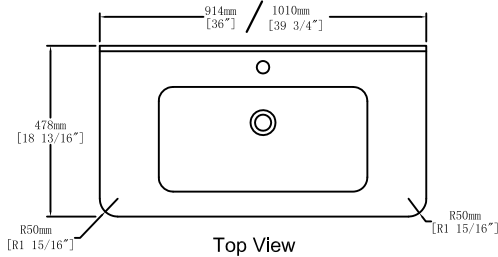


Finished



Notes:
The installation position can be selected according to the required height.

Dimensions



CARE CLEANING AND MAINTENANCE

1. Dust regularly with a soft , dry cloth.
2. Avoid the use of all chemicals household cleaners, abrasives, or cleaners that contain lemon, vinegar, or other acids that may damage the finish.
3. Excessive exposure to sunlight and extreme changes in temperature and moisture can damage wood furniture.
4. The sink is fragile, please pay attention to maintaining its appearance.
5. Do not place hot appliances, such as curling irons and hot hair dryers directly on the countertop. Wipe spills immediately.