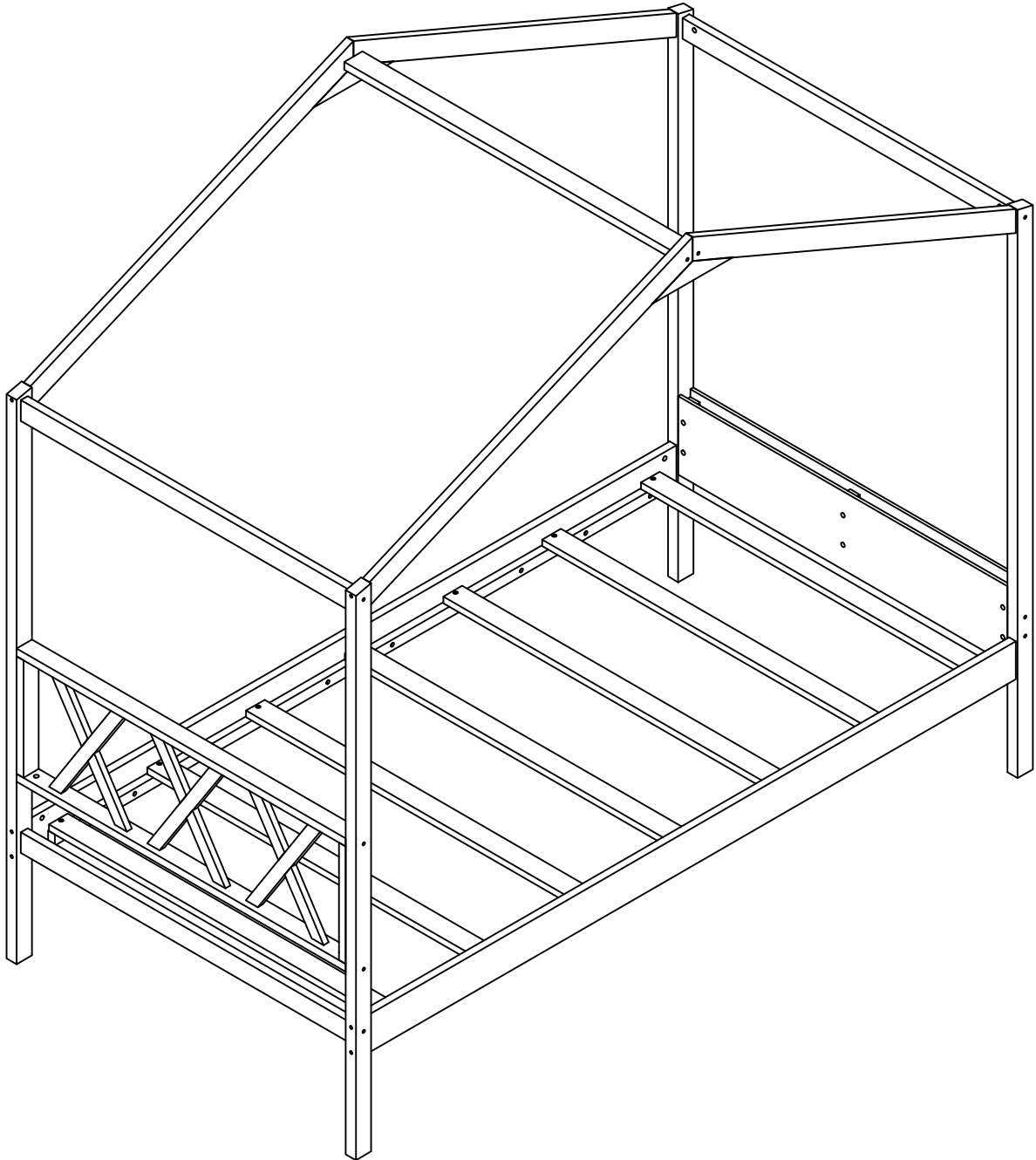
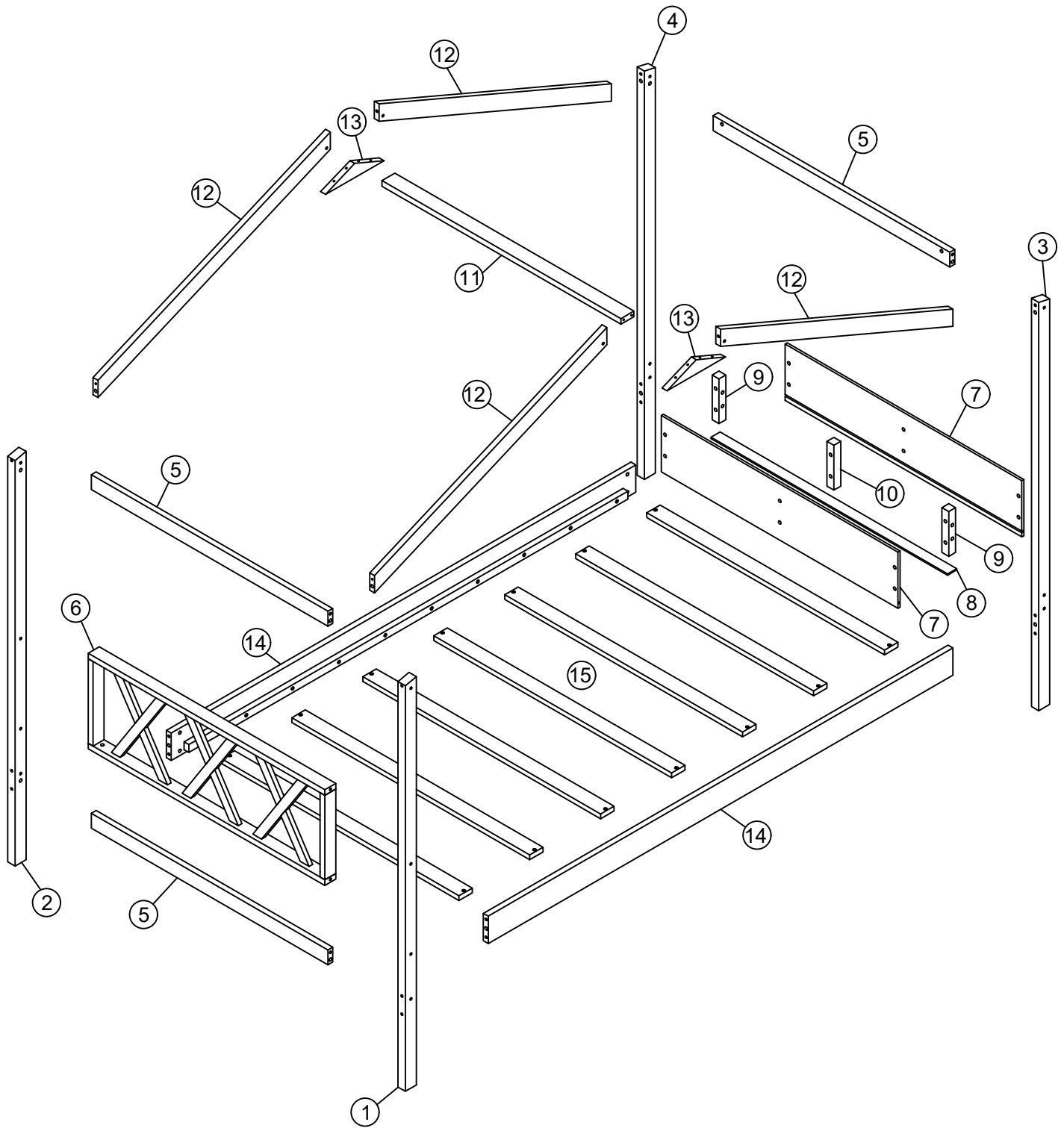


ASSEMBLY INSTRUCTIONS

TWIN SIZE HOUSE BED



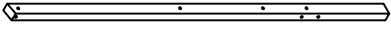
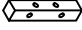
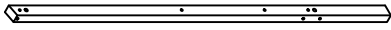
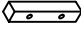
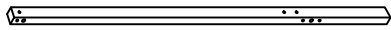
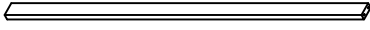
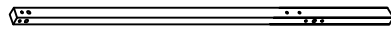
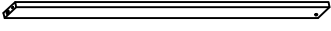
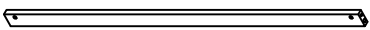

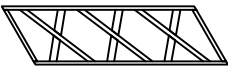

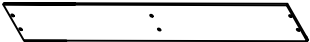
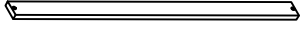
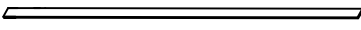
ASSEMBLY INSTRUCTIONS













ASSEMBLY INSTRUCTIONS

PARTS LIST

(Hardware in this SKU)

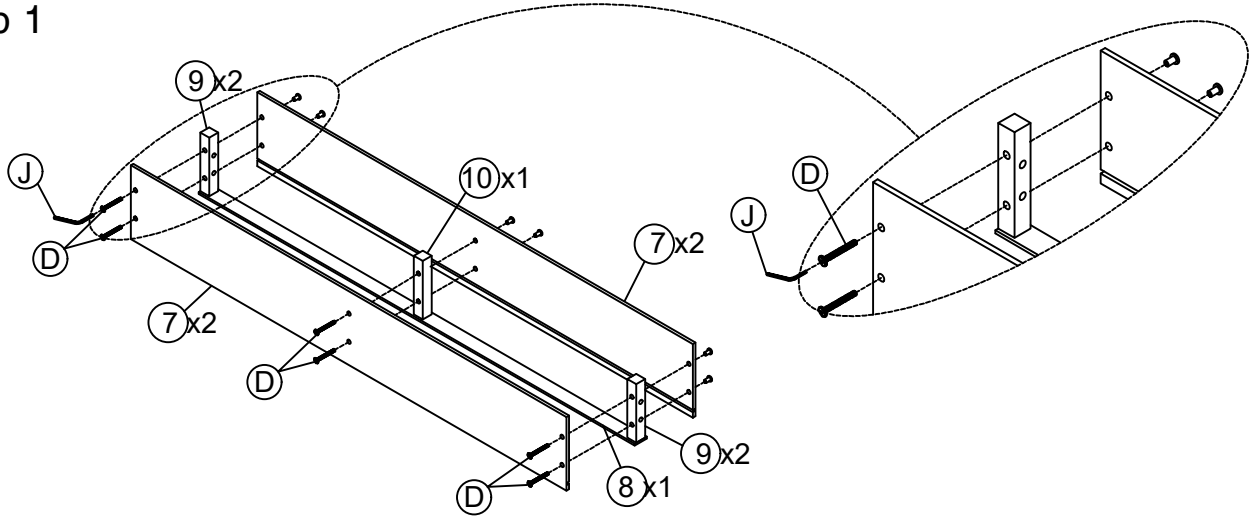
| | | | | | |
|----------|---|------|-----------|--|------|
| 1 |  | 1pc | 9 |  | 2pcs |
| 2 |  | 1pc | 10 |  | 1pc |
| 3 |  | 1pc | 11 |  | 1pc |
| 4 |  | 1pc | 12 |  | 4pcs |
| 5 |  | 3pcs | 13 |  | 2pcs |
| 6 |  | 1pc | 14 |  | 2pcs |
| 7 |  | 2pcs | 15 |  | 7pcs |
| 8 |  | 1pc | | | |

HARDWARE LIST (WF294187)

| | | | | | |
|----------|--|-------|----------|--|-------|
| A | 1/4x75  | 10PCS | F | 6.5x60  | 4PCS |
| B | 1/4x90  | 8PCS | H | Ø10x40  | 14PCS |
| C | 1/4x55  | 4PCS | I | Ø8x30  | 2PCS |
| D | 1/4x40  | 6PCS | M | Ø4x30  | 22PCS |
| E | 6.5x90  | 4PCS | J | 4x58  | 1PC |

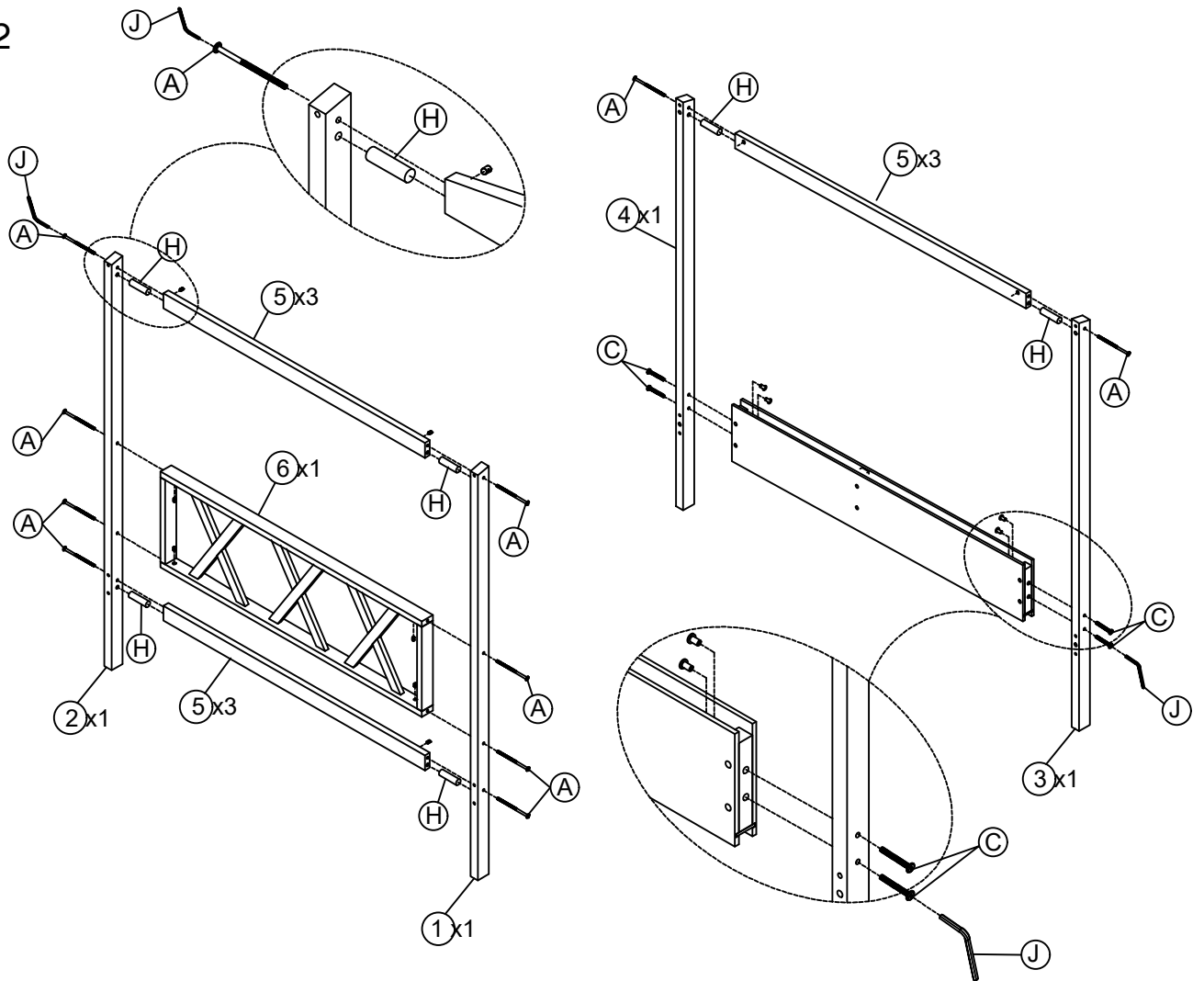
ASSEMBLY INSTRUCTIONS

Step 1



| | | | | | | | |
|----------|--------|--|------|----------|------|--|-----|
| D | 1/4x40 | | 6PCS | J | 4x58 | | 1PC |
|----------|--------|--|------|----------|------|--|-----|

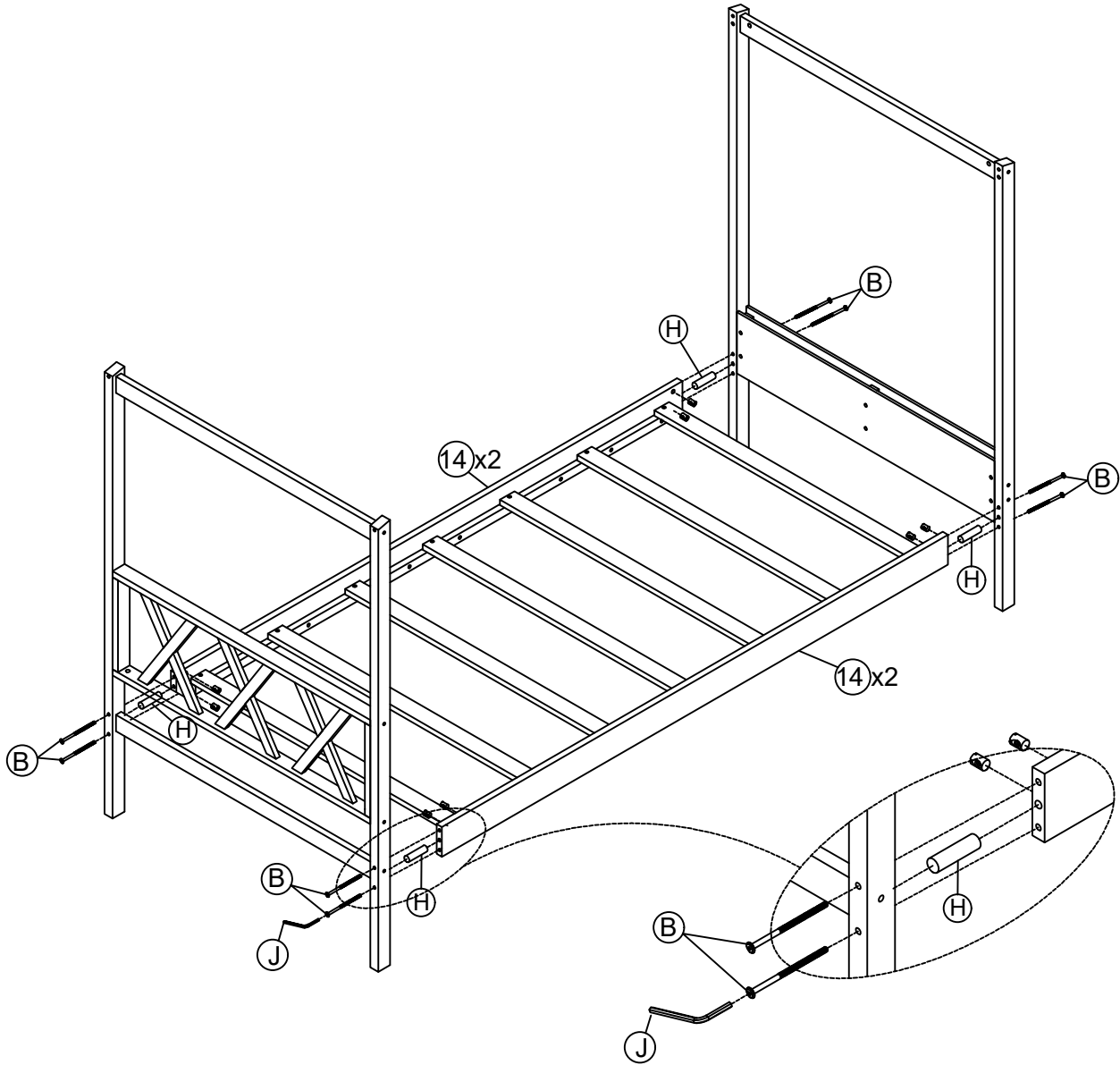
Step 2






| | | | | | | | |
|----------|--------|--|-------|----------|--------|--|------|
| A | 1/4x75 | | 10PCS | C | 1/4x55 | | 4PCS |
| H | Ø10x40 | | 6PCS | J | 4x58 | | 1PC |

ASSEMBLY INSTRUCTIONS

Step 3

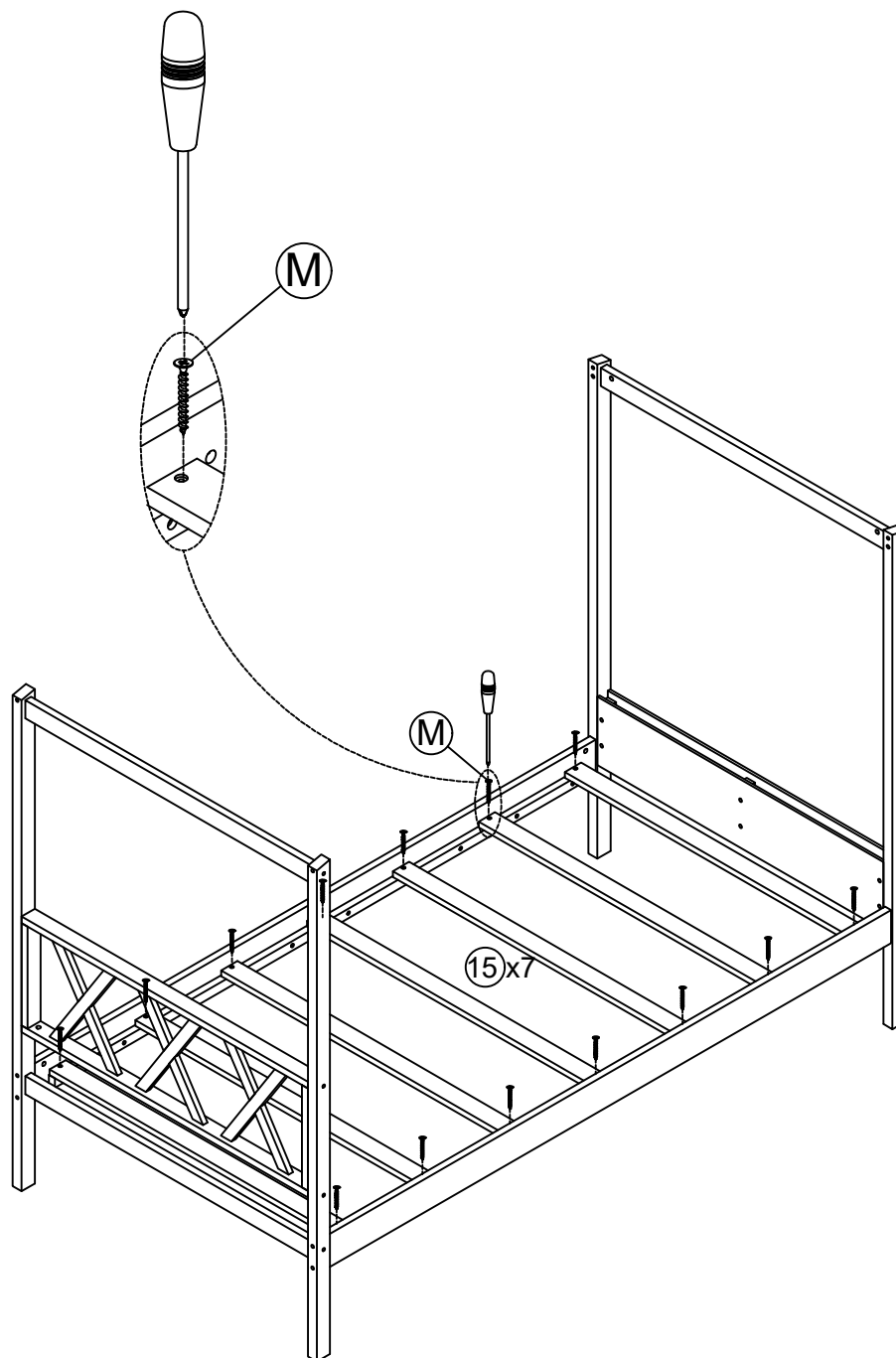


| | | | | | |
|----------|--|------|----------|--|-----|
| B | 1/4x90  | 8PCS | | | |
| H | Ø10x40  | 4PCS | J | 4x58  | 1PC |

ASSEMBLY INSTRUCTIONS

Step 4

First attach 2pcs part 15 to the front and end of the frame between headboard.
Then attach the remaining part 15 equidistantly between headboard



M

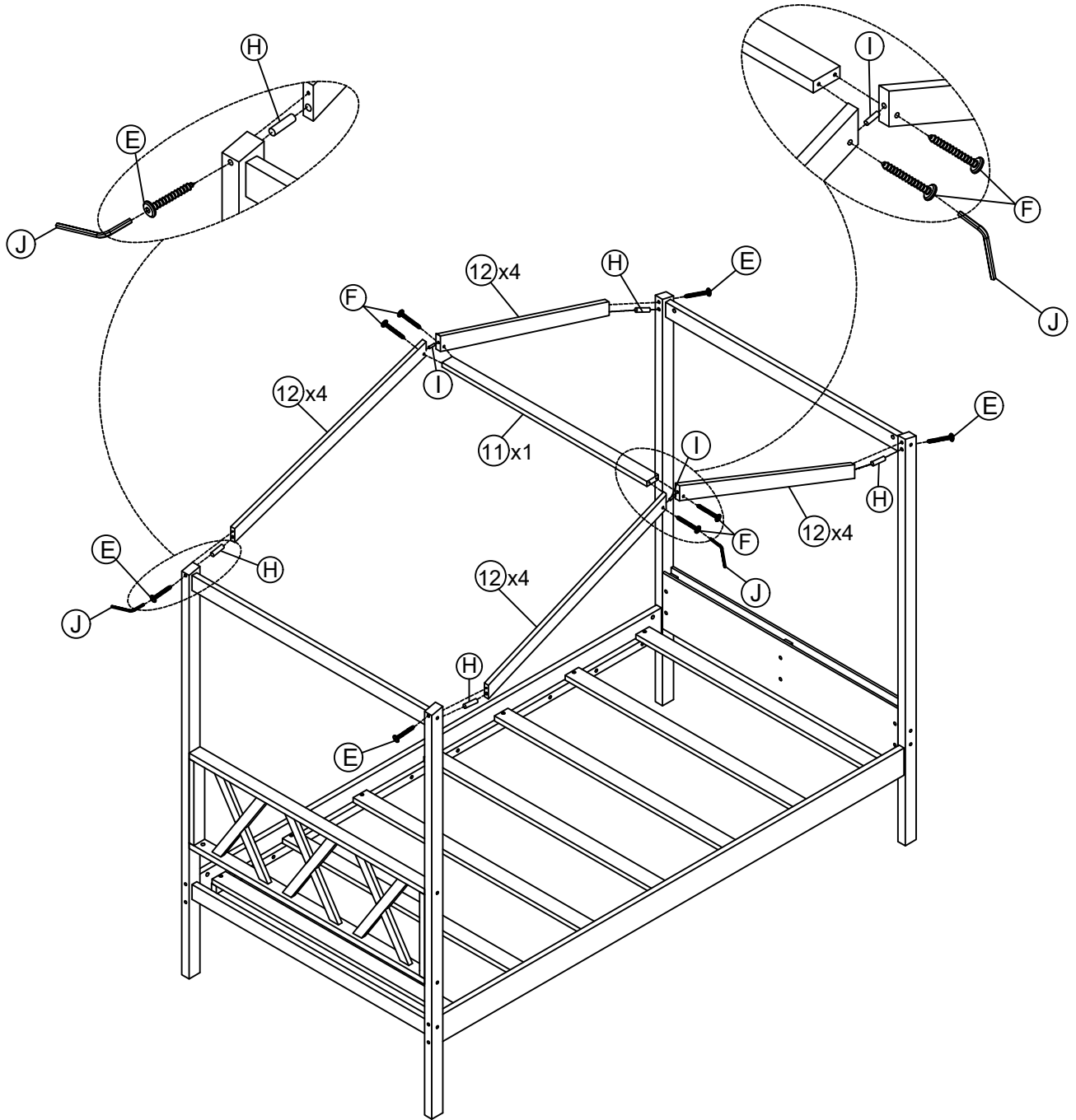
Ø4x30








14PCS

ASSEMBLY INSTRUCTIONS

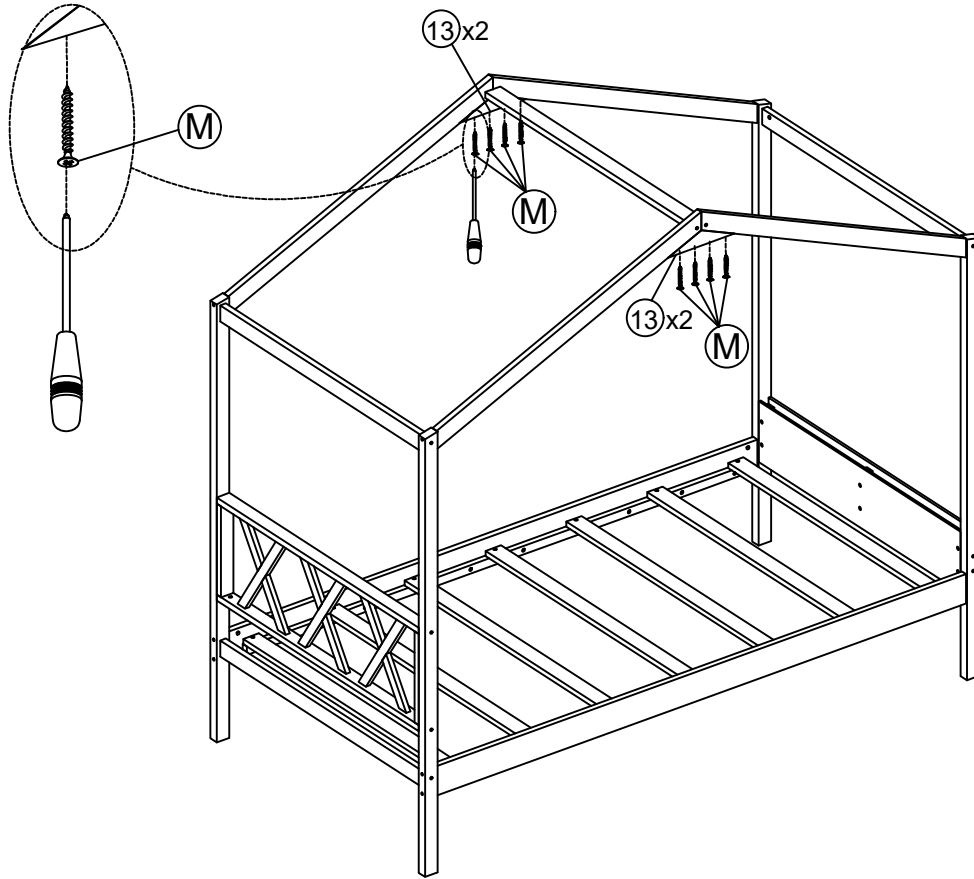
Step 5



| | | | | | | | |
|----------|--------|---|------|----------|--------|---|------|
| | | | | J | 4x58 |  | 1PC |
| H | Ø10x40 |  | 4PCS | I | Ø8x30 |  | 2PCS |
| E | 6.5x90 |  | 4PCS | F | 6.5x60 |  | 4PCS |

ASSEMBLY INSTRUCTIONS

Step 6



M

Ø4x30



8PCS

Step 7

