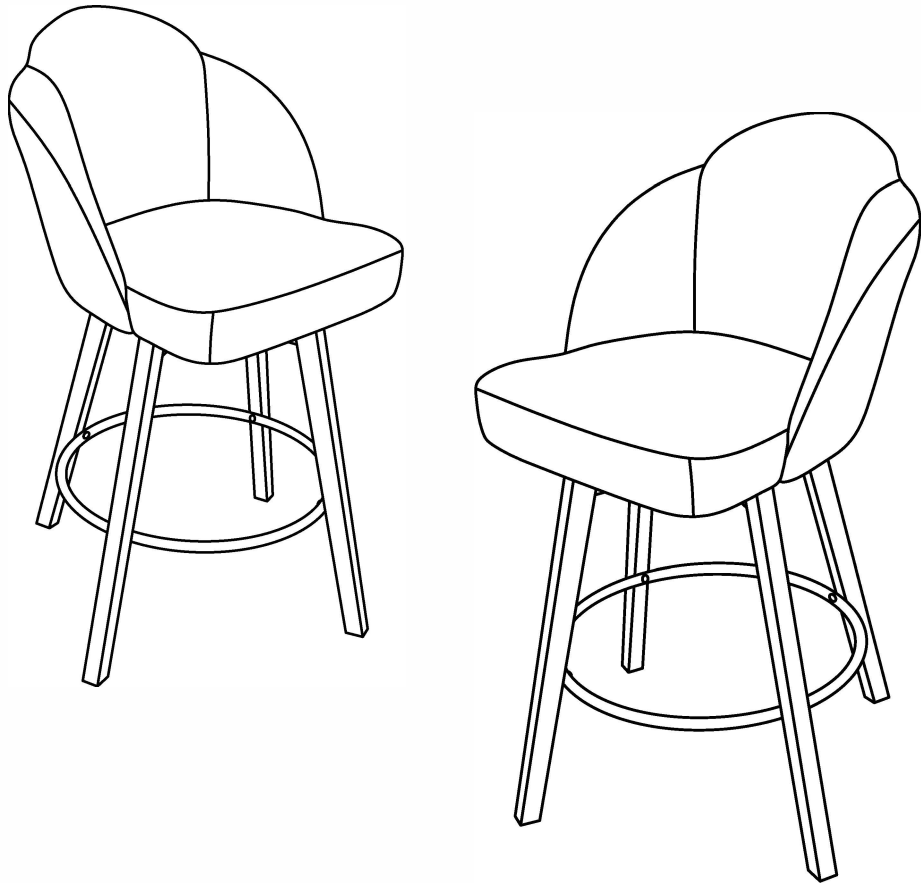


ASSEMBLY INSTRUCTION



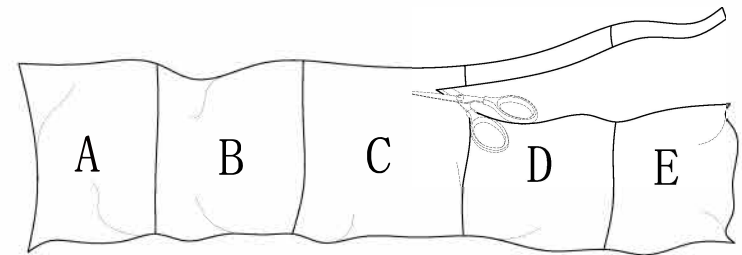
friendly reminder

To ensure a smooth, confusion-free installation, please:

Avoid opening all hardware bags at once, as some screws look alike.

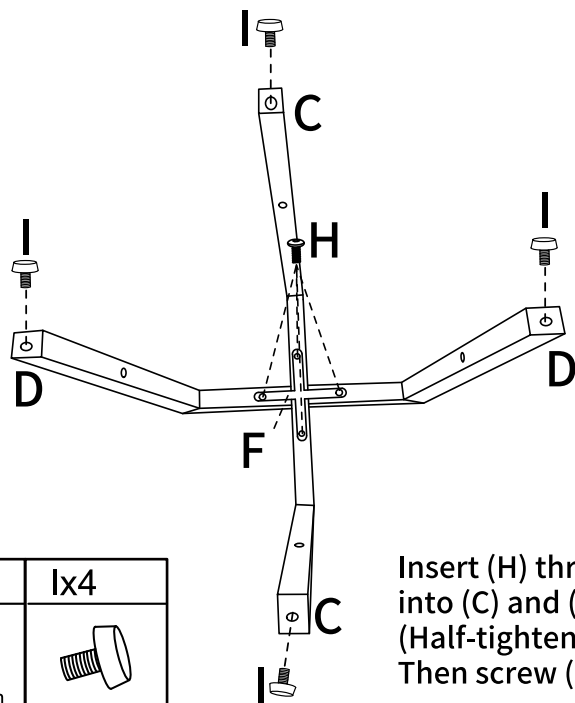
Verify each bag's hardware with the parts list before assembling.

Open bags only when needed for each step.



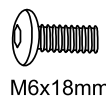
| Ax1 | Bx1 | Cx2 | Dx2 | Ex1 | Fx1 | Gx4+1 | Hx12+1 | Ix4+1 | Jx1 |
|-----|-----|-----|-----|-----|-----|-------|--------|-------|-----|
| | | | | | | | | | |

1



Insert (H) through (F) and screw it into (C) and (D).
(Half-tighten (H) for later adjustment.)
Then screw (I) into (C) and (D).

Hx4

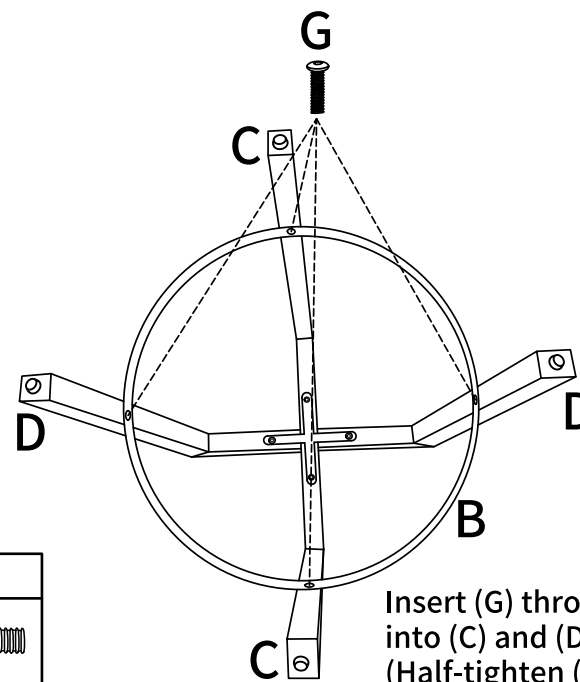


M6x18mm

Ix4

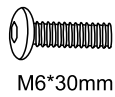


2



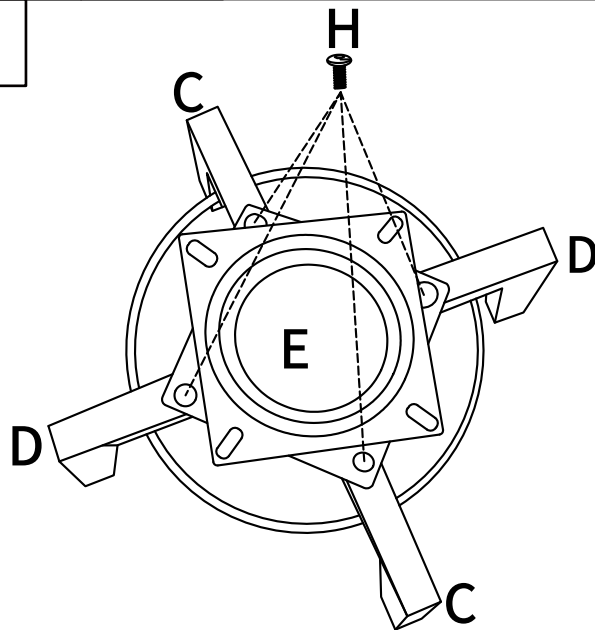
Insert (G) through (B) and screw it into (C) and (D).
(Half-tighten (G) for later adjustment.)

Gx4



M6*30mm

3



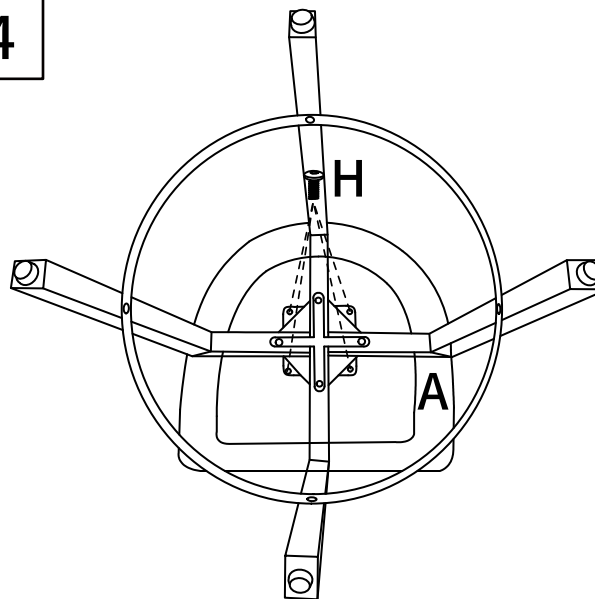
Insert (H) through (E) and screw it into (C) and (D).
(Half-tighten the first three (H) screws, then fully tighten all after the last (H).)

Hx4



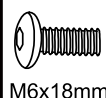
M6x18mm

4

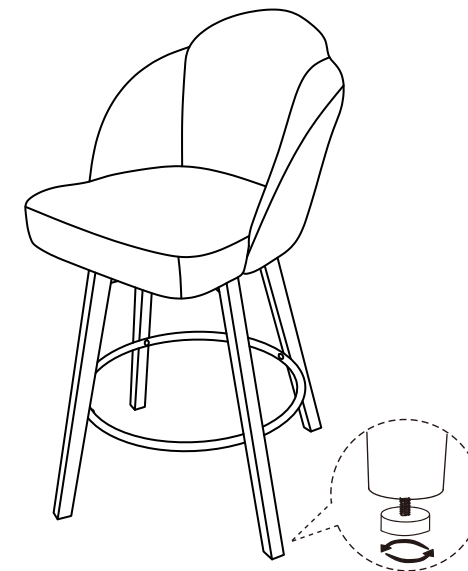


Insert (H) through (E) and screw it into (A).
(Half-tighten the first three (H) screws, then fully tighten all (H) and (G) after the last (H).)

Hx4



M6x18mm



Assembly complete!

If you feel that the chair is leaning to one side due to uneven ground, rotate the foot pads to adjust it.