

Assembly Instructions

Bench

Important safety instructions:

- Thanks for your purchasing this product, please read carefully instruction before assembly.

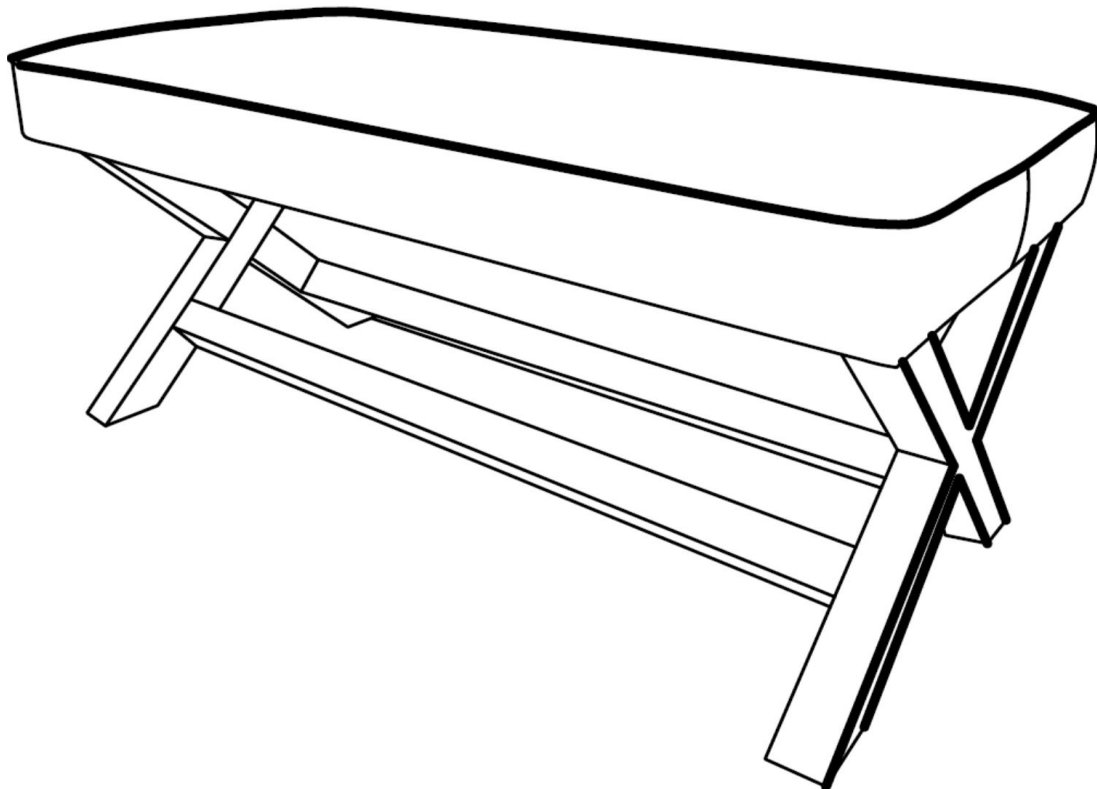
- For your safety and ease, assembly by two or more adults is recommended.

Keep instructions for future use.

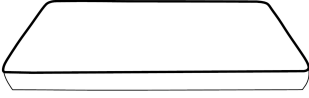
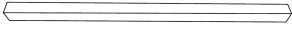
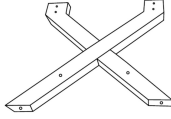






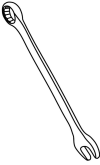

Pre-assembly:

- Do not discard any content until assembly is complete to avoid accident tally discarding parts or hardware.

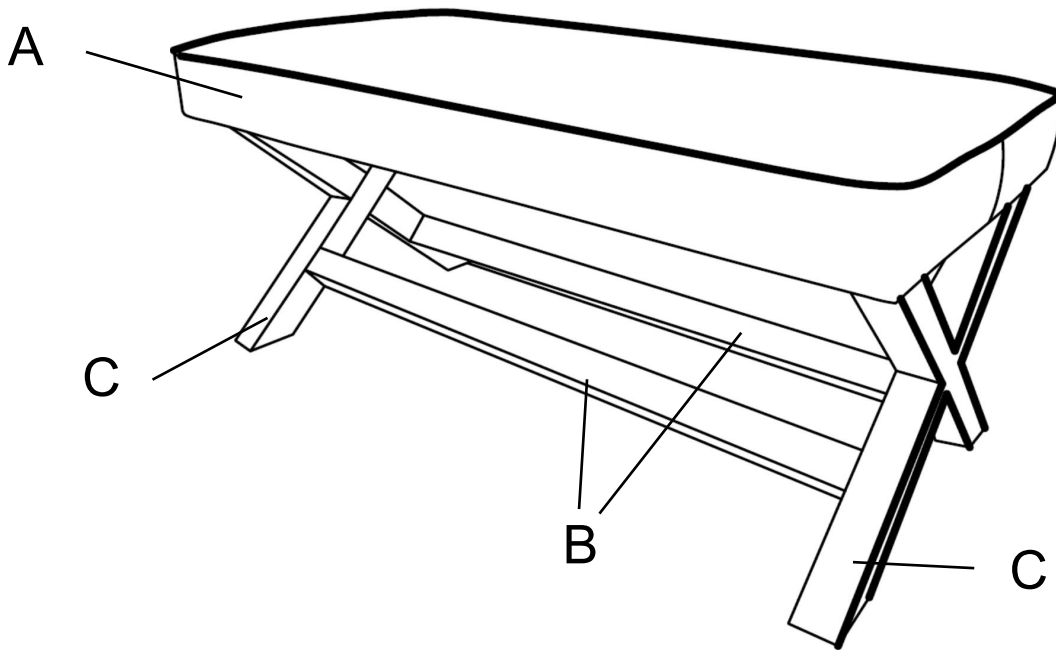
- Take out all parts and hardware from box and place them on a clean, soft and smooth surface.



Parts List

<p>Ax1</p> 	<p>Bx2</p> 	<p>Cx2</p> 	<p>Dx4</p> 
<p>SEAT</p>	<p>CROSS SLAT</p>	<p>LEG</p>	<p>Bolts M8*100mm</p>
<p>Ex8</p> 	<p>Fx8</p> 	<p>Gx8</p> 	<p>Hx4</p> 
<p>Bolts M8*50mm</p>	<p>Spring Washer</p>	<p>Washer</p>	<p>Nut</p>
<p>Ix1</p> 	<p>Jx1</p> 	<p>Kx4</p> 	
<p>Allen Wrench</p>	<p>Wrench</p>	<p>Curved Washer</p>	

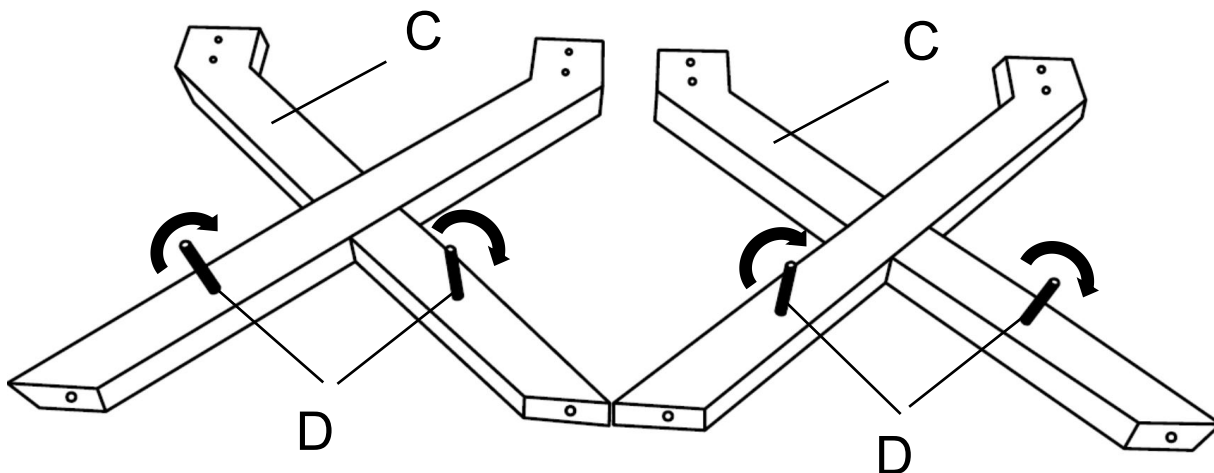
OVERVIEW:



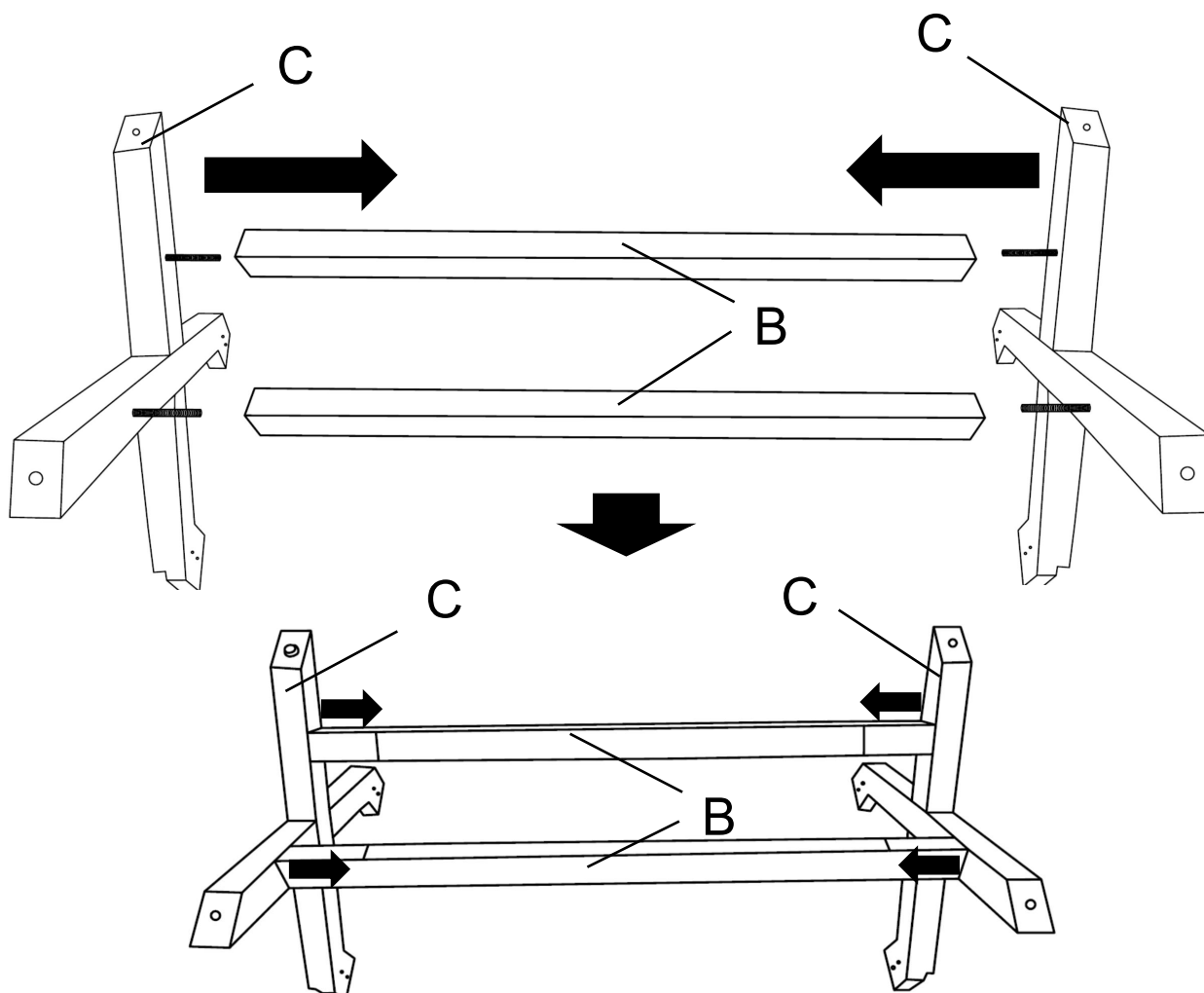
Assembly Steps:

Step 1: Screw the **Bolt(D)** on **Leg(C)** as below picture shows

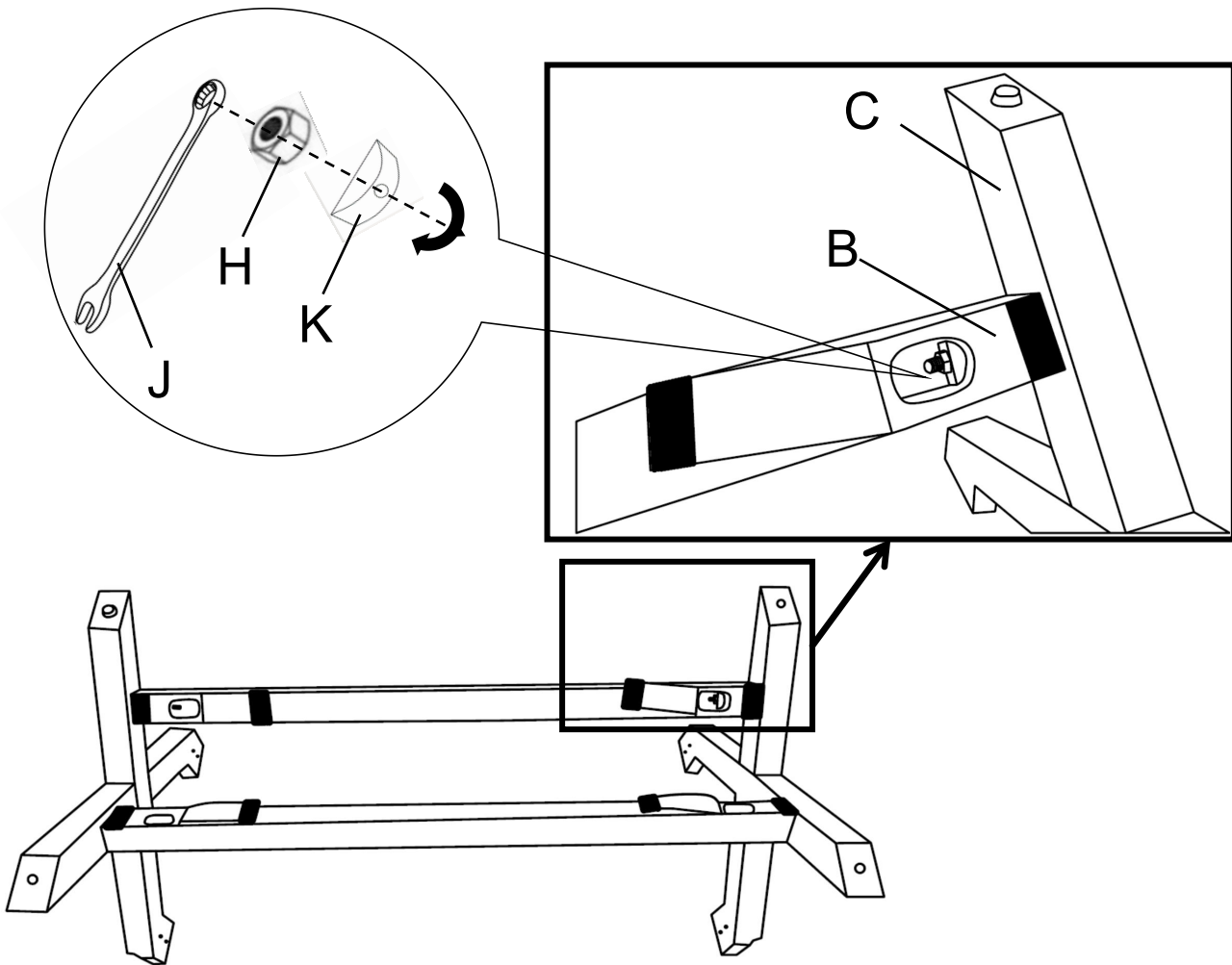
Notice: The short side stick to the Leg



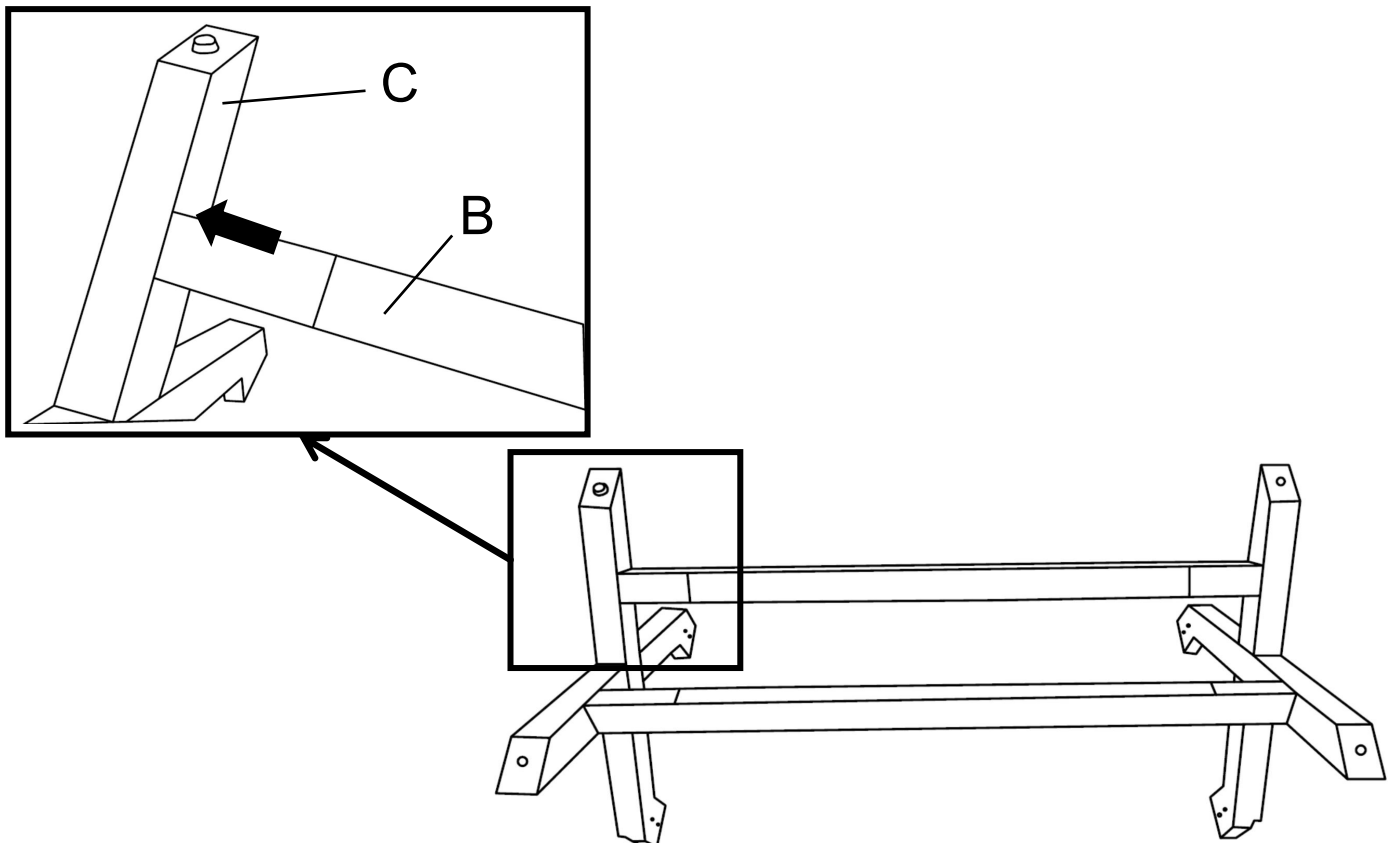
Step 2: Insert both **Leg(C)** into the hole on both side of the **Cross Slart(B)** AND THEN ROTATE THE SLAT TO MAKE BOTTOM FACE UP, AND OPEN THE BAG ON BOTH SIDE OF SLAT



Step 3: Connect the **Cross Slat(B)** and **Leg(C)** with **Curved Washer(K)** and **Nut(H)** By using **Wrench(J)**

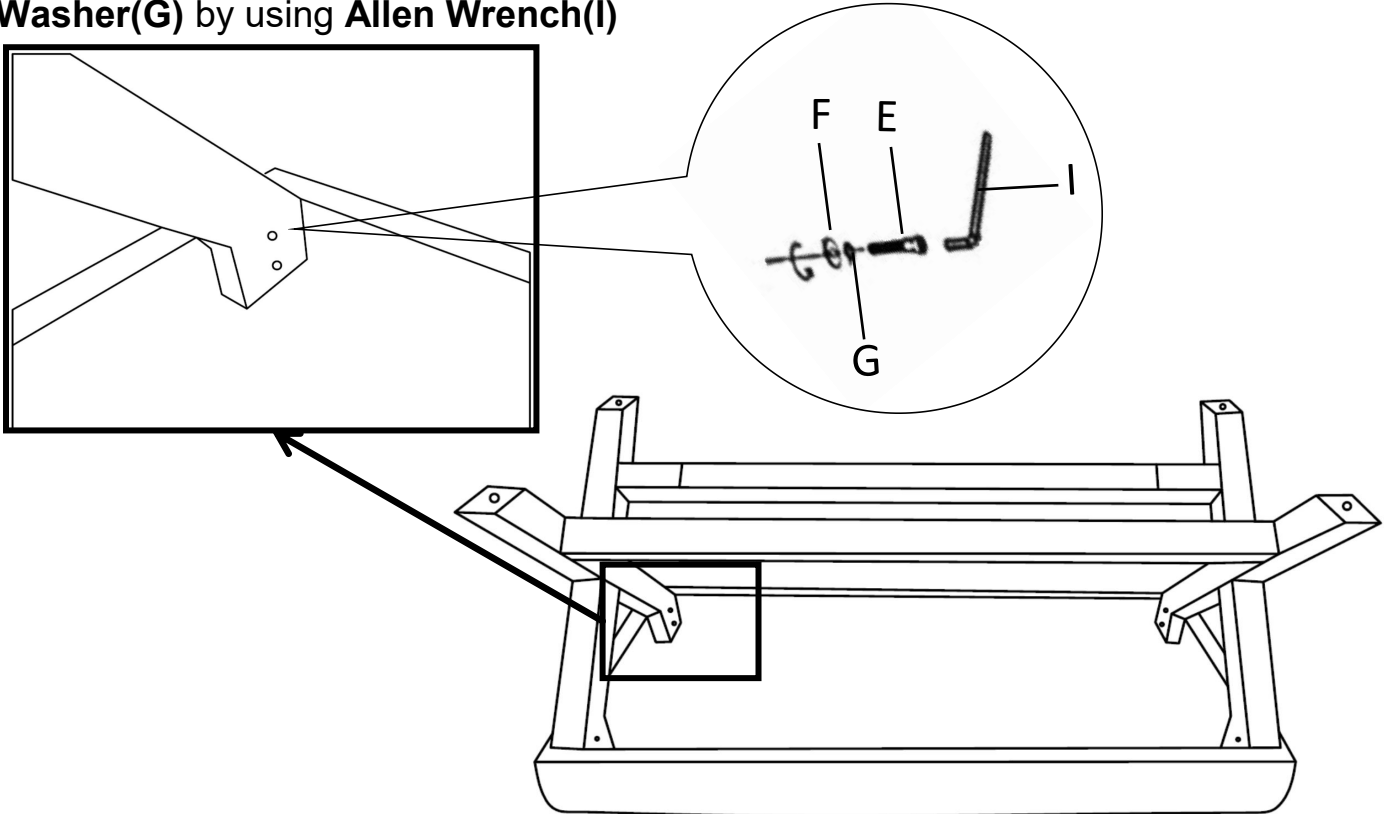


Step 4: Close the bag on both side of each **Cross Slat(B)**

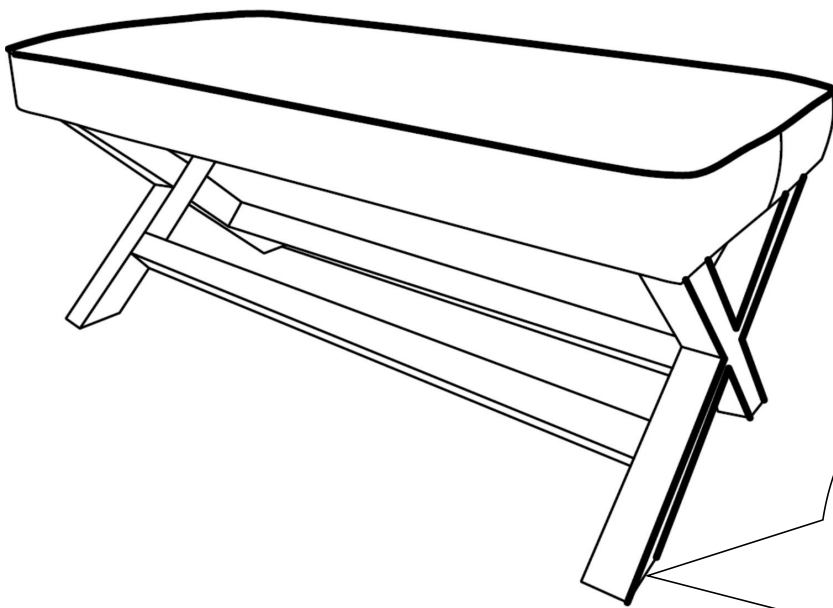


Step 5: Put the assembled base into the bottom of **SEAT(A)**

And then Connect the base with **Seat(A)** with **Bolt(E)** and **Spring Washer(F)** and **Washer(G)** by using **Allen Wrench(I)**



Step 6: Turn the Ottoman back to it's upright position and your Ottoman is ready for use.



Legs can be rotated clockwise or counterclockwise to adjust