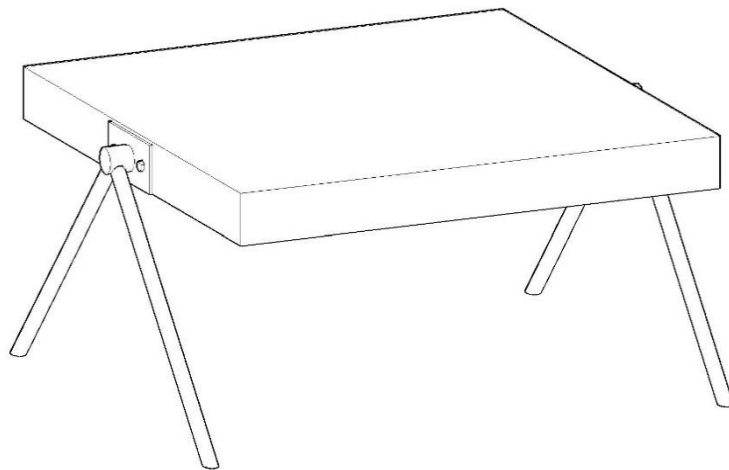


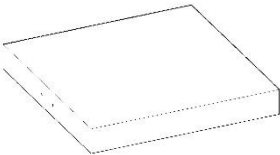
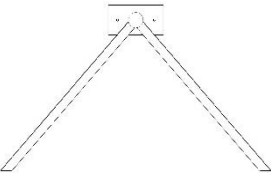
Assembly Instructions

Caution: • You must read this before you proceed.


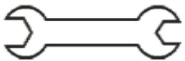
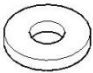

COFFEE TABLE



Parts List

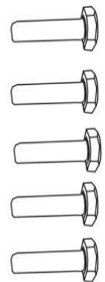
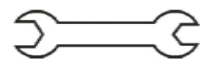
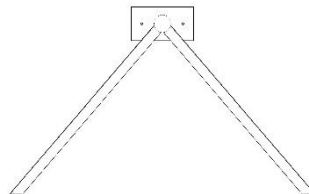
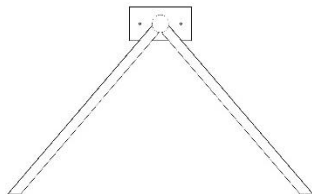
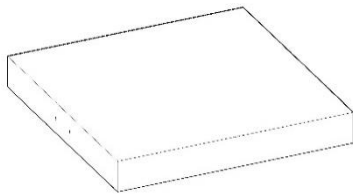
Label	Picture	Description	QTY
A		Table Top	1
B		Leg	2

Hardware

Label	Picture	Description	QTY
①		Long Bolt (M8x40mm)	5
②		Spanner	1
③		Washer	5
④		Nut (8mm)	5

Assembly Preparation

Before
Beginning
Assembly
:



- Read instructions, cover to cover-



- Have 2 adults on hand for assembly-



- Do not assemble on flooring or carpet-



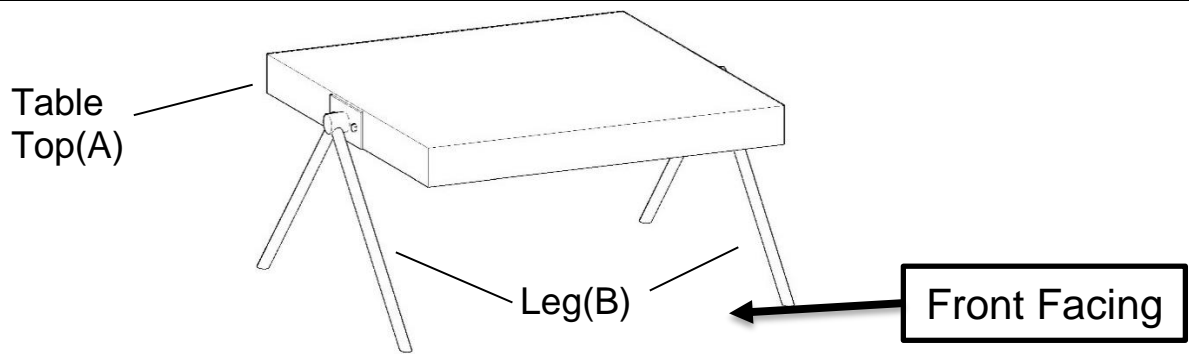
- Assemble on a clean non-marring surface (packing foam)-



- Save all packaging until finished-

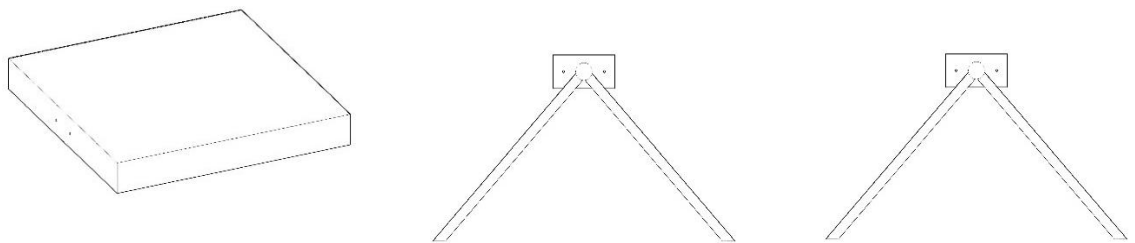
Assembly Steps

Overview



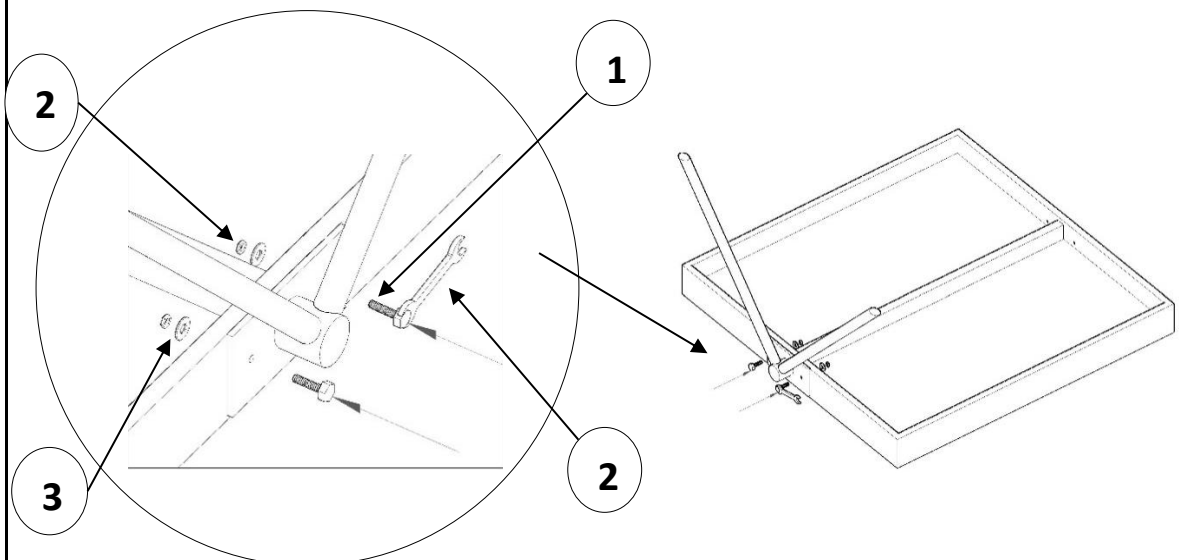
This Coffee Table has multiple parts and may require up to 30 minutes to assemble. To give you an overview of the Coffee Table parts, the above picture is to help you put the various parts into perspective. Please read through the instructions below to familiarise yourself with the parts and steps before assembly.

Step 1



Unpack and place all parts on a clean, non-marring surface.

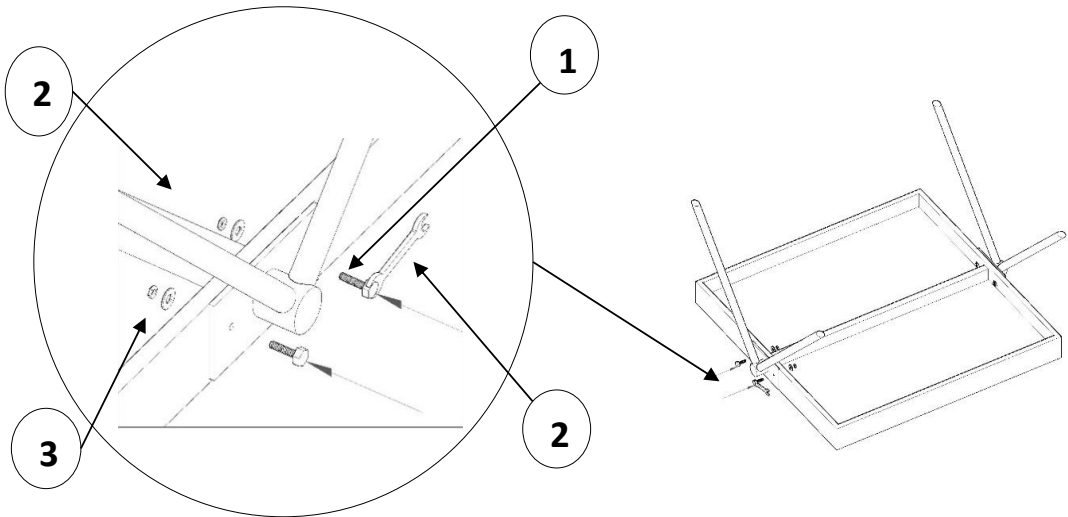
Step 2



Place the Leg (B) on the Table top (A). Attach the Leg (B) using Long Bolt (①), Spanner (②), Washer (③) and Nut (④). See above picture for reference.

DO NOT FULLY TIGHTEN BOLTS.

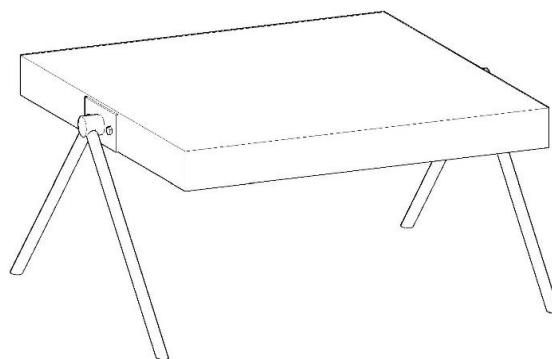
Step 3



Repeat the step 2 and attach the other Leg (B). See Above picture for reference.

DO NOT FULLY TIGHTEN BOLTS.

Step 4



Flip the Coffee Table and place it like in the diagram.

CAUTION 1: When tightening these Bolts, tighten sequentially.

If there is still wobbles, loosen the Bolts and execute this same process.












WARNING!! IF TABLE IS NOT STABLE , IT COULD LEAD TO DAMAGING THE PRODUCT.

Ensure all Bolts are fully locked into position.

The Coffee table is ready to be used.

Caution 2: This Coffee table can only be used on a flat, level surface.

Care & Maintenance

	<ul style="list-style-type: none">● Furniture may scratch floors. We recommend using furniture pads to protect your floors.
	<ul style="list-style-type: none">● Do not put hot items directly on furniture surface.
	<ul style="list-style-type: none">● Do not clean furniture with harsh cleansers or polish.
	<ul style="list-style-type: none">● Do not place furniture under direct sunlight.
	<ul style="list-style-type: none">● Do not place furniture near heating or cooling vents.
	<ul style="list-style-type: none">● Do not write on furniture without a padded barrier to protect the surface.
	<ul style="list-style-type: none">● Do not place furniture outside . For indoor use only.
	<ul style="list-style-type: none">● Not for commercial use. For residential use only.
	<ul style="list-style-type: none">● Stains may be removed with mild soap solution and damp cloth.
	<ul style="list-style-type: none">● Children should not climb or jump on the furniture.
	<ul style="list-style-type: none">● Dust and pick-up spills using a clean, non-colored, lint-free cloth.