



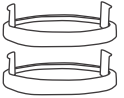

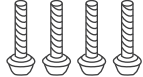
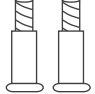
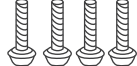







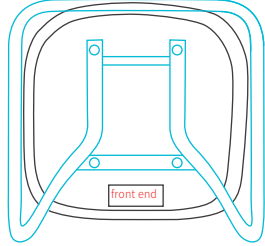
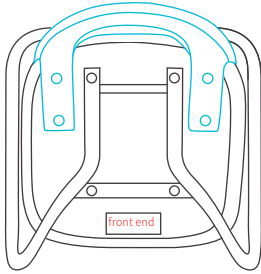
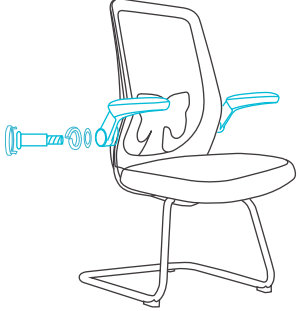

Parts list (Subject to actual size; each type of screws and washers has one spare)

				
Chair Base x1	Seat x1	Backrest x1	Armrest x2	Decorative Cover For Armrest x2
				
Allen Wrench x1	Chair Base Screw (M6*40) x4	Armrest Screw (M8*40) x2	Backrest Screw (M6*30) x4	Washer (M6) x4
				
Washer (M10) x2	Lock Washer (M10) x2	Washer (M8) x4	Lock Washer (M8) x4	

Note: Before installing the chair, please sort the screws and measure the length of the screws for installation



Installation icon (Subject to Actual Size)

		
1 Secure the chair base and seat with chair base screws (M6*40) and lock washers (M8) and washers (M8). Pay attention to the direction of installation.	2 Secure the backrest and seat with backrest screws (M6*30) and washers (M6).	3 Secure the armrests and backrest with armrest screws (M8*40) and lock washers (M10) and washers (M10) as picture shown. Put on the cover at the end.
		

Note: Before installing the chair, please sort the screws and measure the length of the screws for installation