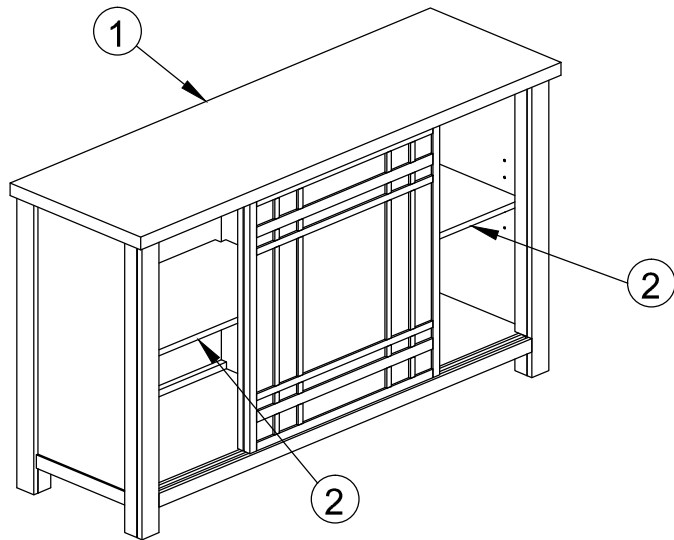




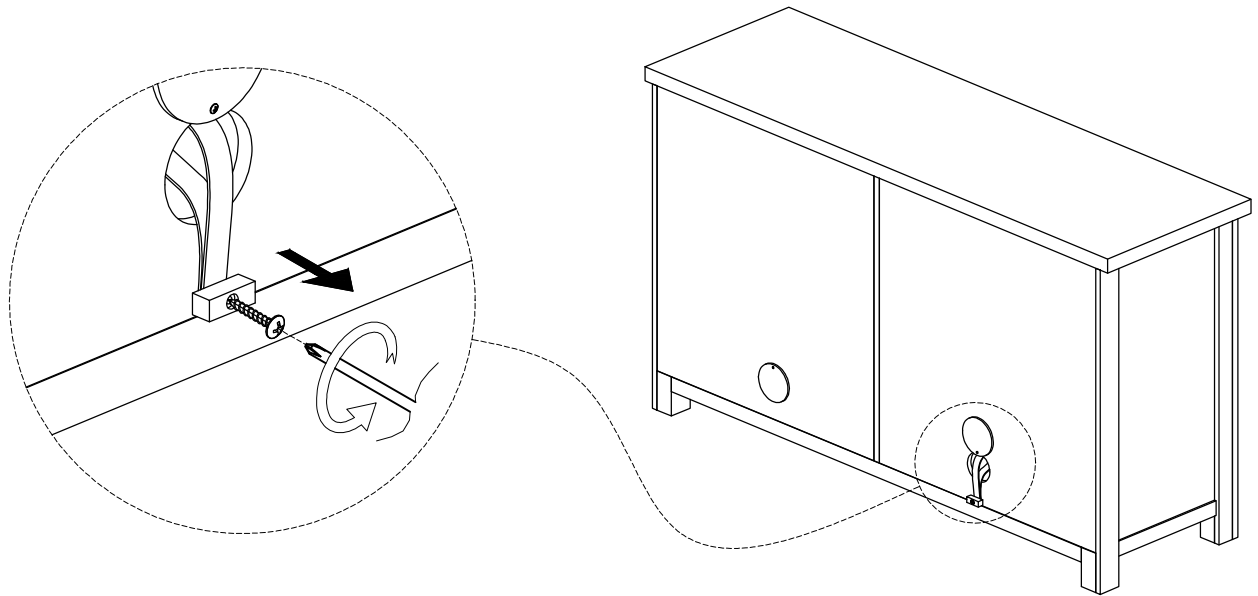
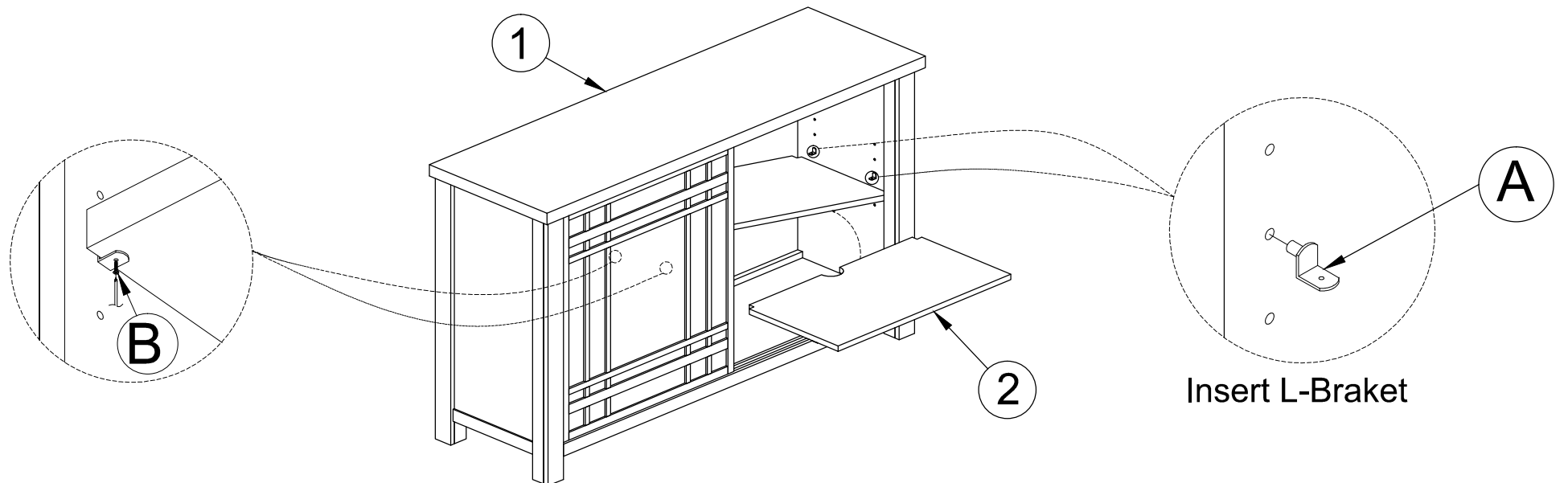
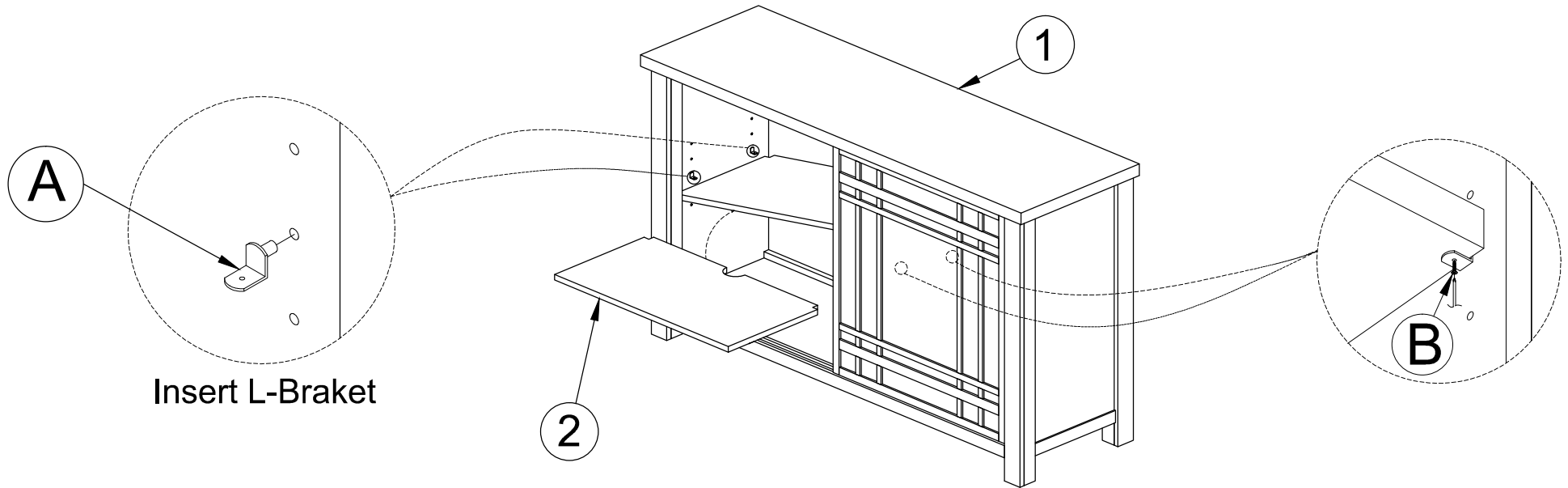


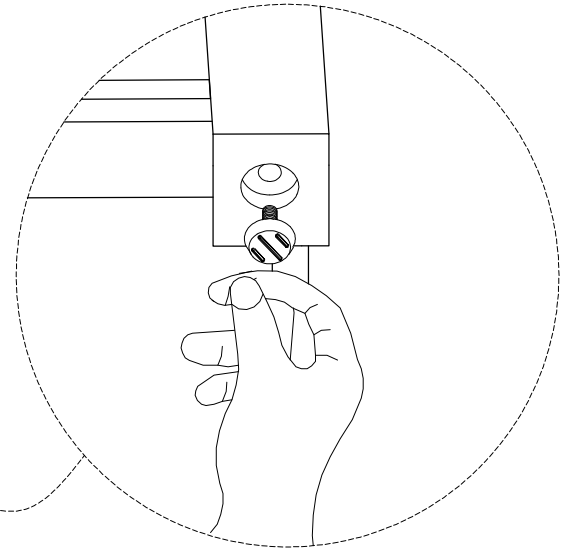
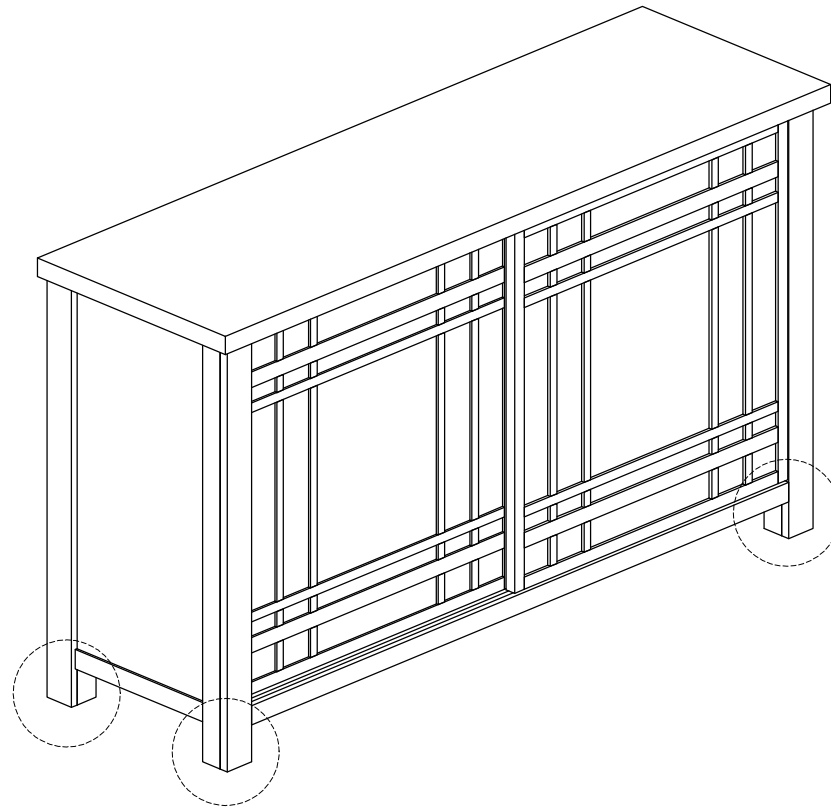
ASSEMBLY INSTRUCTION FOR MODEL: KASHTON SIDEBOARD



Parts List			
1		Kashton Sideboard	1
2		Shelf	2
Name of Hardware			
A		Shelf Support	8
B		Screw M3.5x15mm	8







Adjustable Leveler

! WARNING

For use with televisions weighing 175 lbs / 80 (Kg) or less.
Attention : this unit is not rated for use with a CRT type television.

! WARNING

Death or serious injury may occur when children climb on audio and/or video equipment furniture. A remote control or toys placed on the furnishing may encourage a child to climb on the furnishing and as a result the furnishing may tip over on to the child.

! WARNING

Relocating audio and/or video equipment to furniture not specifically designed to support audio and/or video equipment may result in death or serious injury due to the furnishing collapsing or over turning onto a child.

All other support shelves should not be loaded more than 25 lbs.

DO NOT EXCEED RECOMMENDED LOAD. Use with heavier televisions may result in instability causing tip over resulting in death or serious injury.

Please use caution when using electrical equipment. Improper use could result in the risk of fire, electric shock or injury to persons associated with the use of this unit during operation, user-maintenance, loading, storage, and, as applicable, electrical issues including grounding or double-insulation.

Electronic components generate heat that may cause damage to the equipment. Please refer to the manufacturer's owner's manual for space and ventilations requirements.

Do not allow children under 16 years to move cart.

