

HEADBOARD & FOOTBOARD

ASSEMBLY INSTRUCTIONS

Before assembling your headboard and footboard, please read through these instructions carefully and familiarize yourself with the different parts.



PARTS LIST

- ① HEADBOARD PANEL BOARDS 4 PCS
- ② LEFT LEG 1 PC
- ③ RIGHT LEG 1 PC
- ④ FOOTBOARD PANEL BOARDS 3 PCS
- ⑤ LEFT FOOTBOARD LEG 1 PC
- ⑥ RIGHT FOOTBOARD LEG 1 PC

Instructions apply for bed sizes
TWIN

HARDWARE

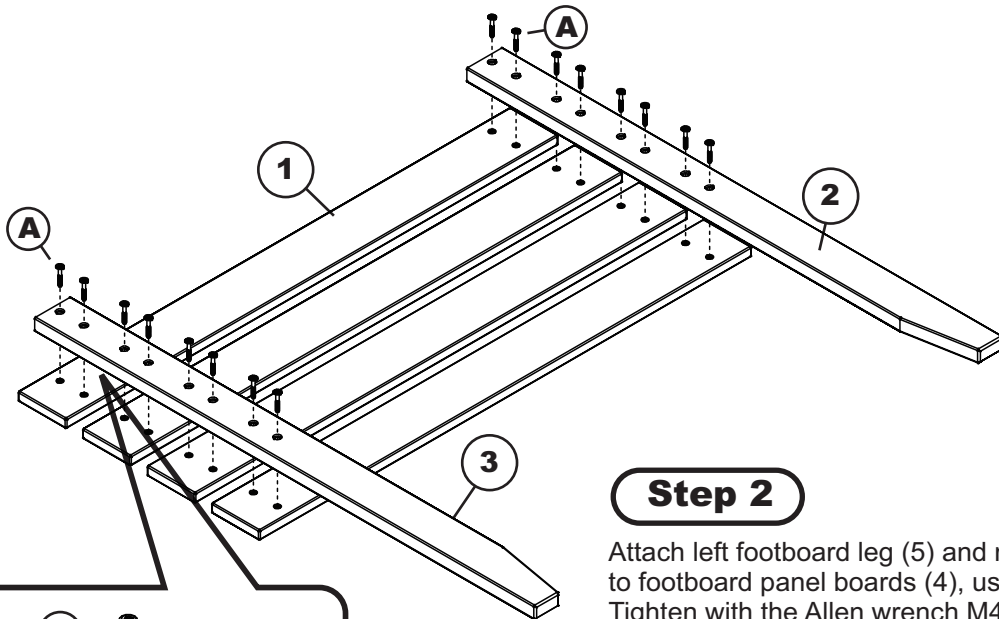
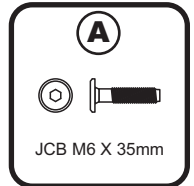
- Ⓐ JCB M6 X 35mm - 28 pcs
Spare - 1 pc
- Ⓑ JCB M8 X 15mm (5/8") - 8 pcs

- Ⓒ Allen wrench M4 - 1pc
Spare - 1pc
- Ⓓ Allen wrench M6 - 1pc

NOTE: WE INCLUDE SPARE HARDWARE IN CASE DAMAGE OCCURS DURING ASSEMBLY.

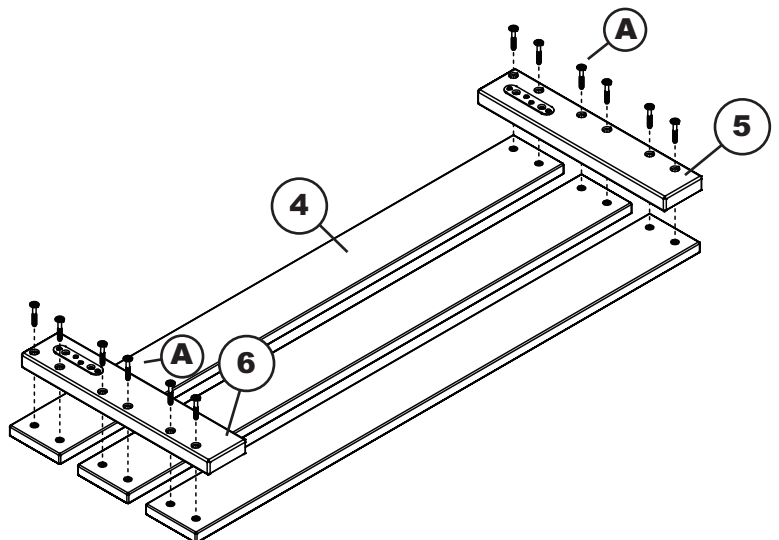
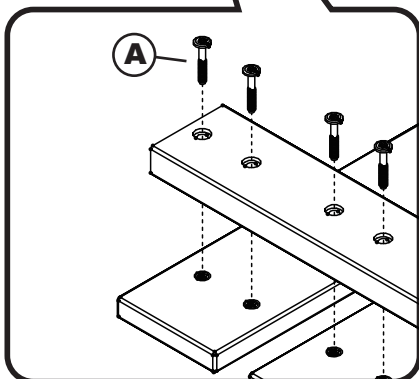
Step 1

Attach left leg (2) and right leg (3) to headboard panel boards (1), using JCB M6 X 35mm (A). Tighten with the Allen wrench M4 (C).



Step 2

Attach left footboard leg (5) and right footboard leg (6) to footboard panel boards (4), using JCB M6 X 35mm (A). Tighten with the Allen wrench M4 (C).



BED WITH MATCHING FOOTBOARD

TWIN



- 01 HARDWARE
- 02 HEADBOARD
- 03 FOOTBOARD

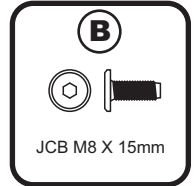
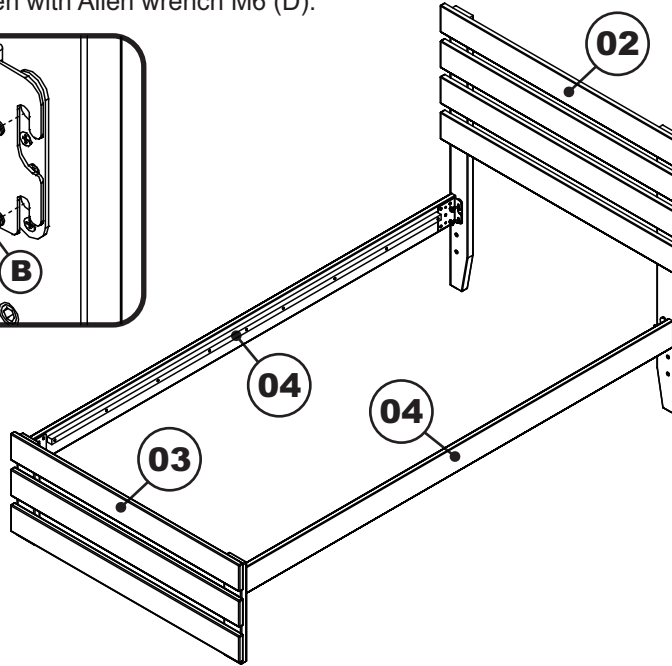
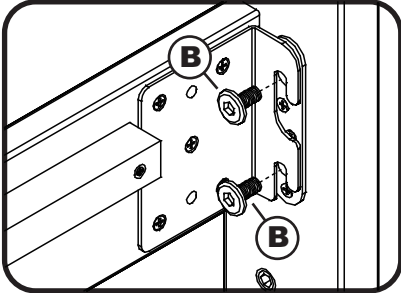
BOX 1

- 01 HARDWARE
- 04 SIDE RAILS
- 05 SLAT KIT

BOX 2

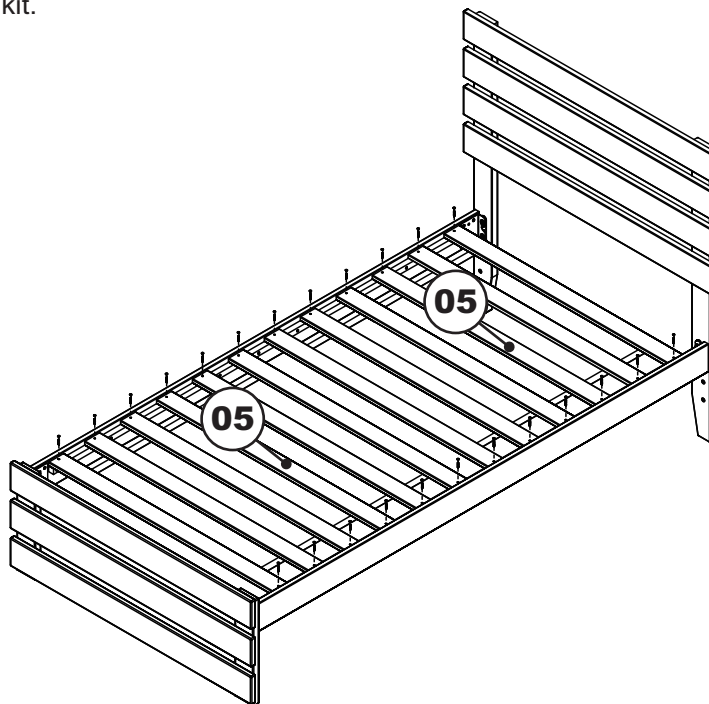
Step 1

Attach the side rails (04) to the headboard (02) and footboard (03) using JCB M8 X 15mm (B). Tighten with Allen wrench M6 (D).



Step 2

Attach slat kit (05) onto the bed using wood screws. Tighten with Phillips head screw driver. (customer supplied) For assembly of slat kit, follow the assembly instructions included with slat kit.



Congratulations!

Your bed is now ready for use.

We recommend that you periodically recheck that all screws are tight to ensure lasting safety.

BED FRAME

TWIN ASSEMBLY INSTRUCTIONS

Before assembling your bed frame, please read through these instructions carefully and familiarize yourself with the different parts.



PARTS LIST

- ① SIDE RAIL 2 PCS
- ② SLAT KIT 2 SETS

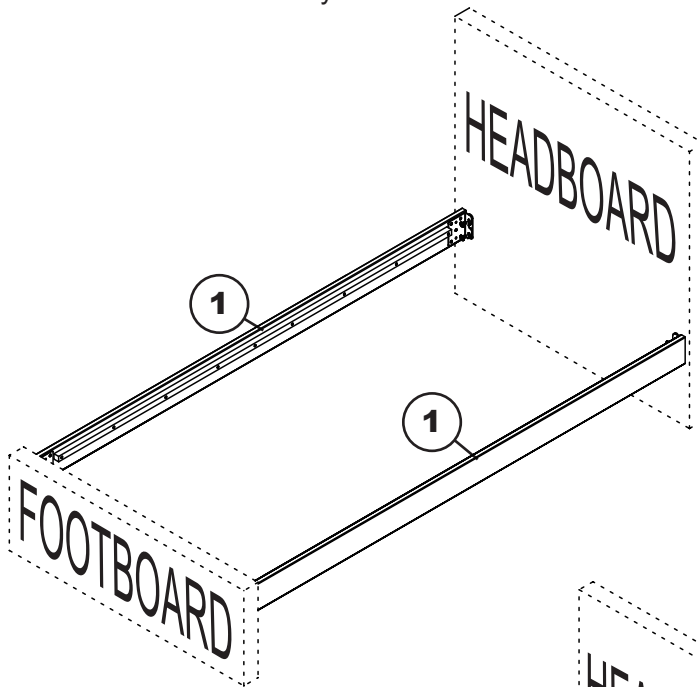
HARDWARE

- Ⓐ Wood screw(1 1/4") - 24 pcs
Spare - 2 pcs

NOTE: WE INCLUDE SPARE HARDWARE IN CASE DAMAGE OCCURS DURING ASSEMBLY.

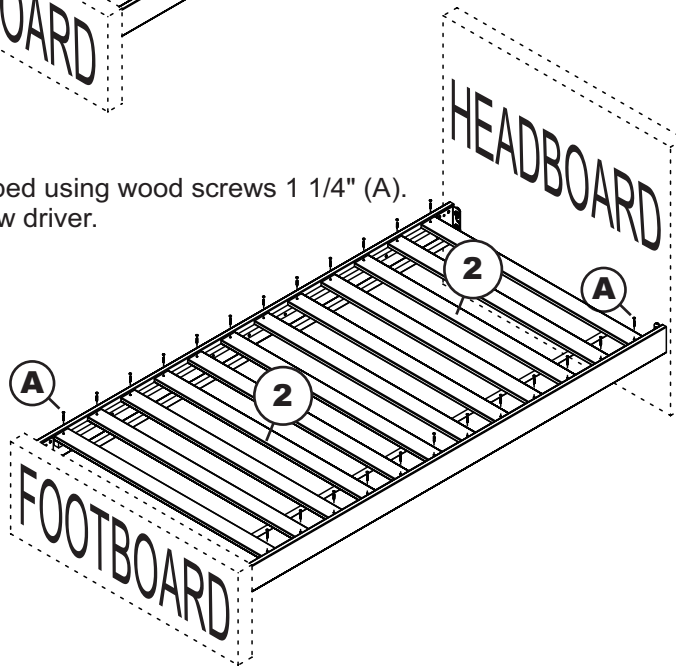
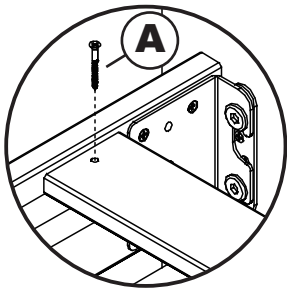
Step 1

Attach side rails (1) to the headboard and footboard. For assembly, follow the assembly instructions included with your headboard and footboard.



Step 2

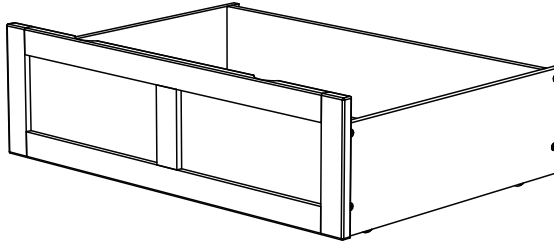
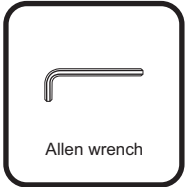
Attach the slat kit (2) onto the bed using wood screws 1 1/4" (A). Tighten with Phillips head screw driver. (customer supplied)



BED DRAWER

TWIN/FULL ASSEMBLY INSTRUCTIONS

Before assembling your bed drawer, please read through these instructions carefully, familiarize yourself with the different parts.



NOTE: WE INCLUDE SPARE HARDWARE IN CASE DAMAGE OCCURS DURING ASSEMBLY.

HARDWARE



(A) JCB M6 X 1" (25mm) - 16 pcs
Spare - 1 pc



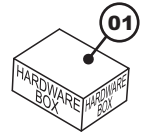
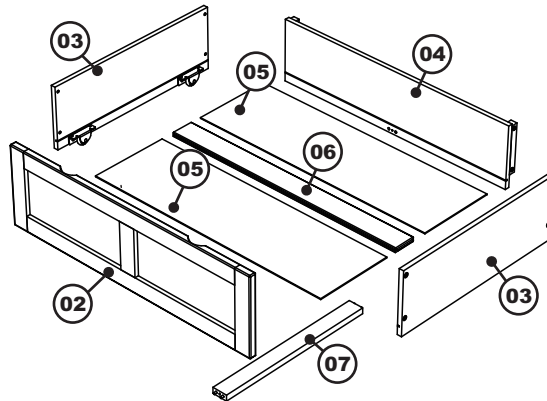
(B) Wood Screw X 1 1/4" (32mm) - 4 pcs
Spare - 1 pc



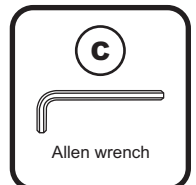
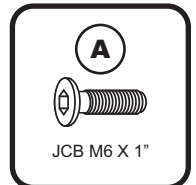
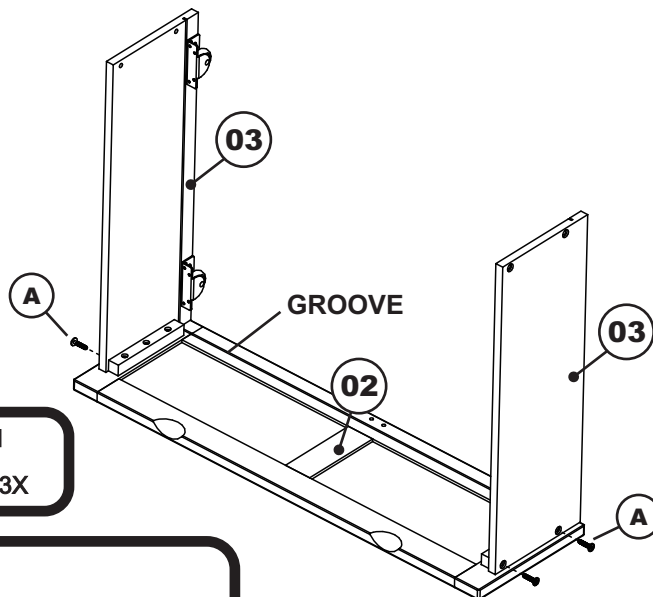
(C) Allen wrench - 1 pc
Spare - 1 pc

PARTS LIST

- (01) HARDWARE 1 BOX**
- (02) DRAWER FACE 1 PC**
- (03) DRAWER SIDE 2 PCS**
- (04) DRAWER BACK 1 PC**
- (05) DRAWER BOTTOM 2 PCS**
- (06) DRAWER MIDDLE 1 PC**
- (07) DRAWER CENTER SUPPORT 1 PC**



Step 1 Lay the drawer face (02) on smooth, flat surface so the drawer bottom (05) groove is facing upwards. Attach the drawer sides (03) to drawer face (02) using JCB M6 X 1" (A). Align groove inside drawer side with groove in drawer face. Tighten with Allen wrench (C).



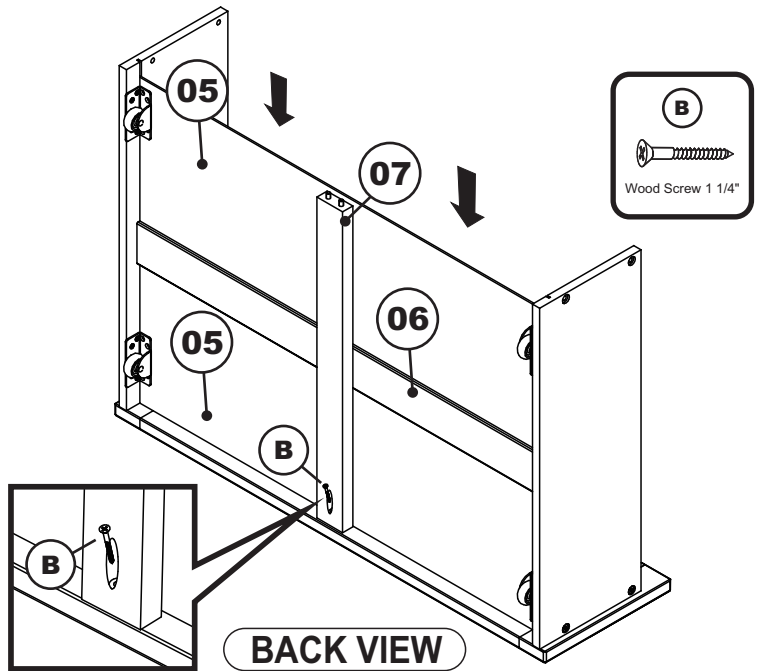
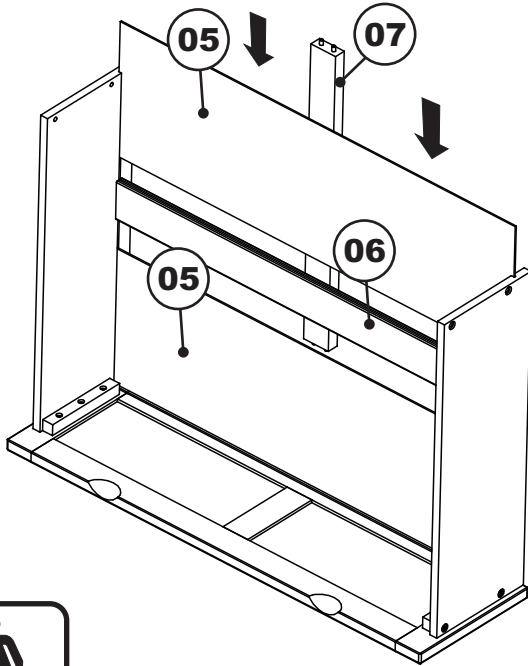
CODE	ITEM
ST-DR2-ISL	G-32803X

PO :

TWIN/FULL

Step 2

Guide the drawer bottoms (05) and drawer middle (06) in carefully so that they align inside grooves. Be sure it fits fully into the face and side groove before attaching the drawer back (04). Attach drawer center support (07) to bottom of drawer face using wood screw 1 1/4" (B). Tighten with Phillips head screw driver. (Customer supplied)



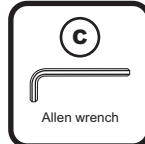
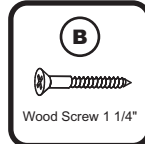
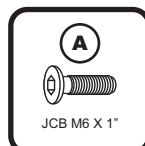
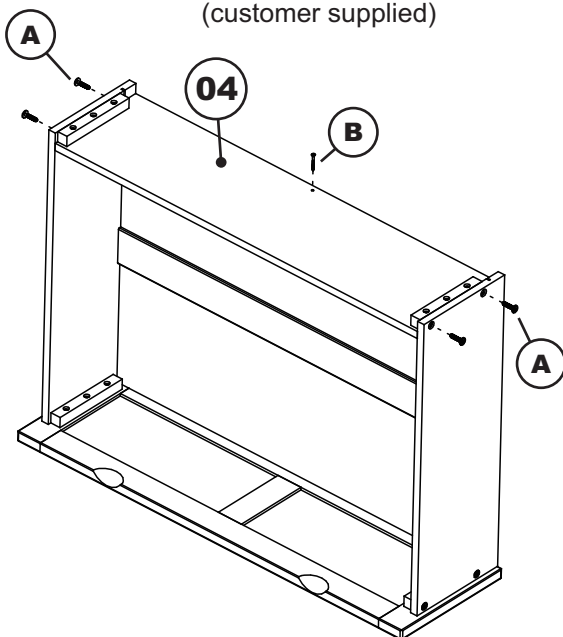
BACK VIEW



Adult assembly

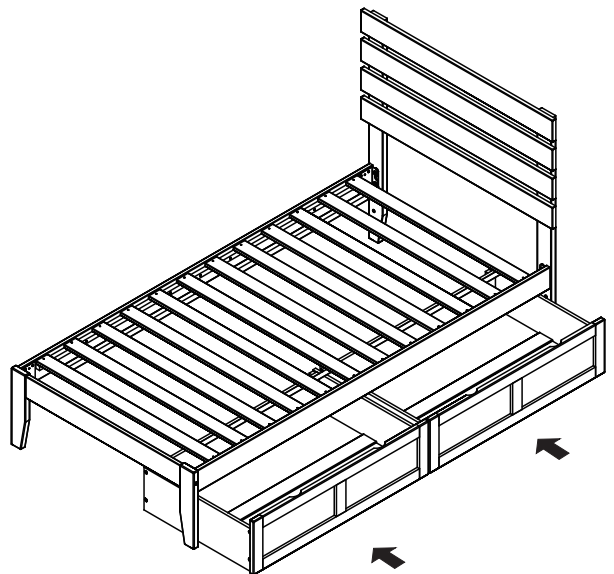
Step 3

Attach drawer back (04) to bed drawer assembly as shown. Use JCB M6 X 1" (A). Tighten with Allen wrench (C). Use wood screws 1 1/4" (B) to finish attaching drawer center support (07) to drawer back (04). Tighten with Phillips head screw driver. (customer supplied)



Step 4

Lastly, insert bed drawer to the bed as shown below.



Adult assembly

Congratulations!

Your bed drawer is now ready for use. We recommend that you periodically recheck that all screws are tight to ensure lasting safety.