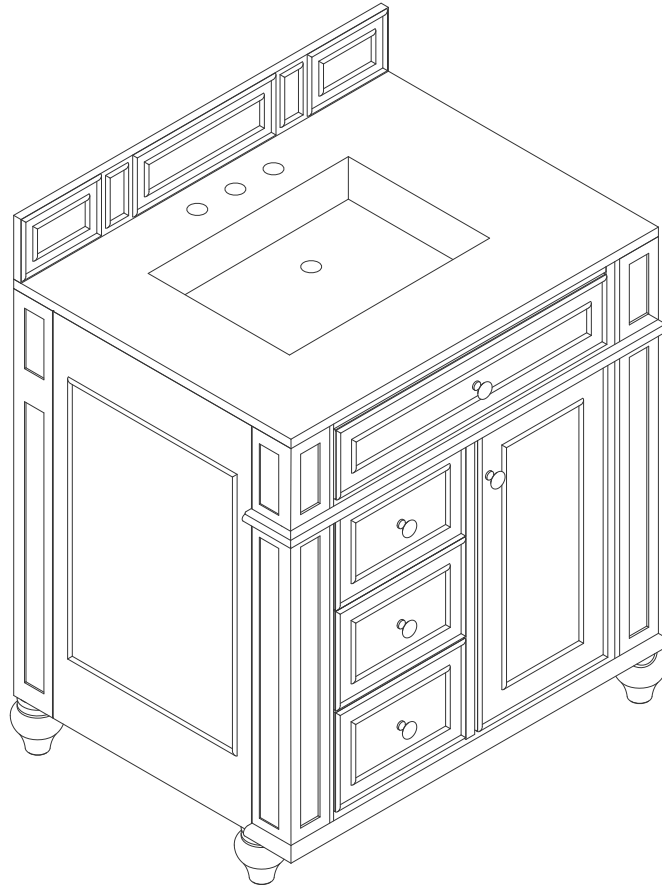


30" VANITY



Features and Materials

Solids: BW-Poplar; SBR/WWW-Para Wood and Poplar

Veneers: SBR-Para Wood; WWW-Walnut

Panels: Plywood

Installation Type: Floor Standing

Number of Basins: One, with optional 3cm top

Vanity Top: NO, Optional 3cm Tops Available with Sinks

Basins included: NO

Overflow: Yes, Front Facing

Optional Wooden Backsplash

Number of Doors: One

Number of Drawers: Two

Number of Tip Outs: One

Assembly Required: Installation of Optional 3cm Top

Drawer Box Material and Construction: 12mm Plywood/English Dovetail Joinery

Hardware Material and Finish: Zinc Alloy in Brushed Nickle Color

Fits Drain Hole Size: 1 3/4"

Full Extension, Soft Close Glides

European Soft Close Hinges

Aluminum Laminate Drawer Liners

Adjustable Levelers

Dimension

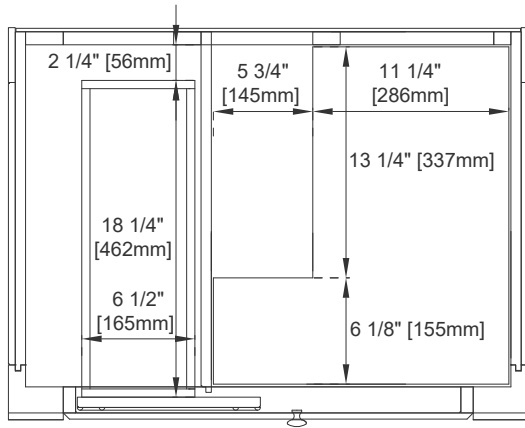
Width: 29-7/8"

Depth: 22-7/8"

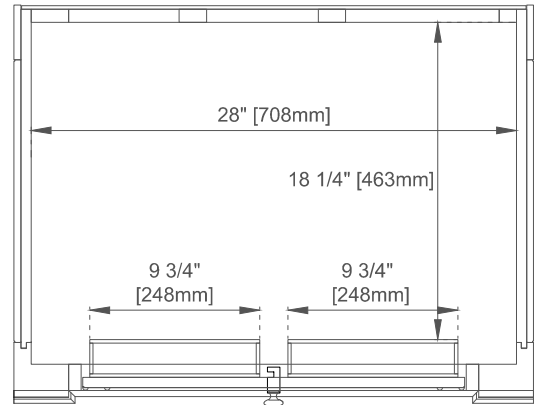
Height: 32-1/2"

Rough-In Height: 21-1/2"

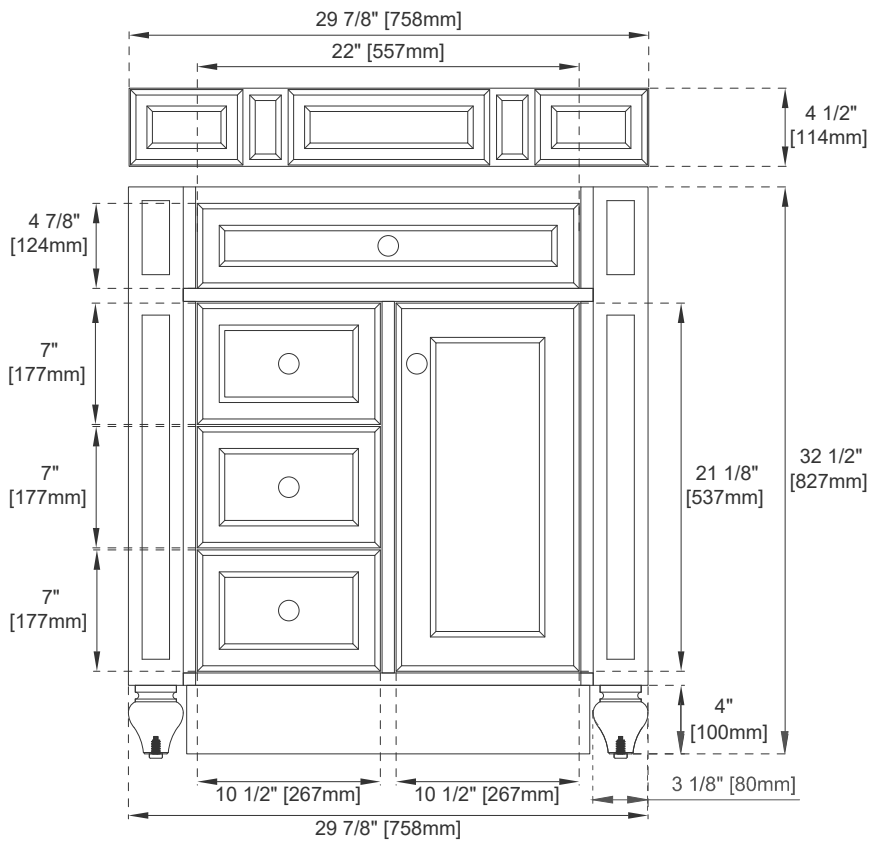
30" VANITY



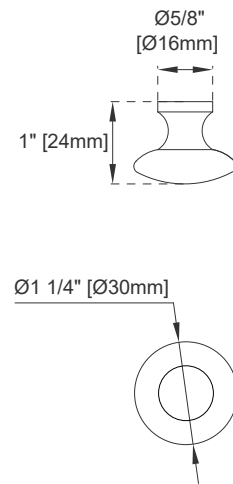
Top View 1



Top View 2



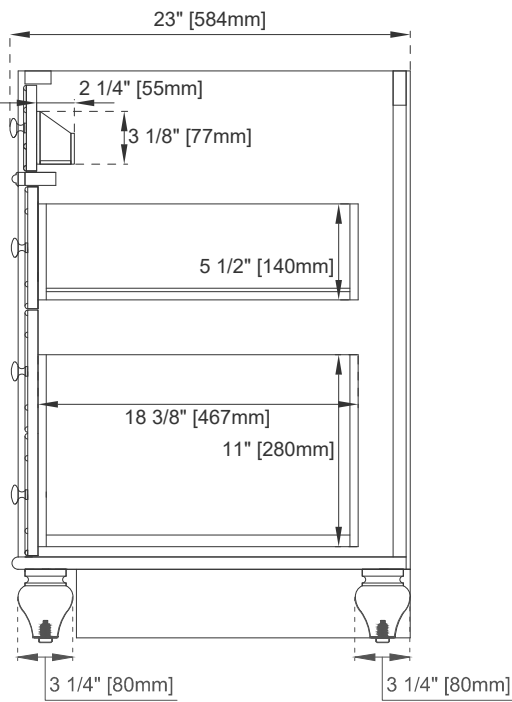
Front View



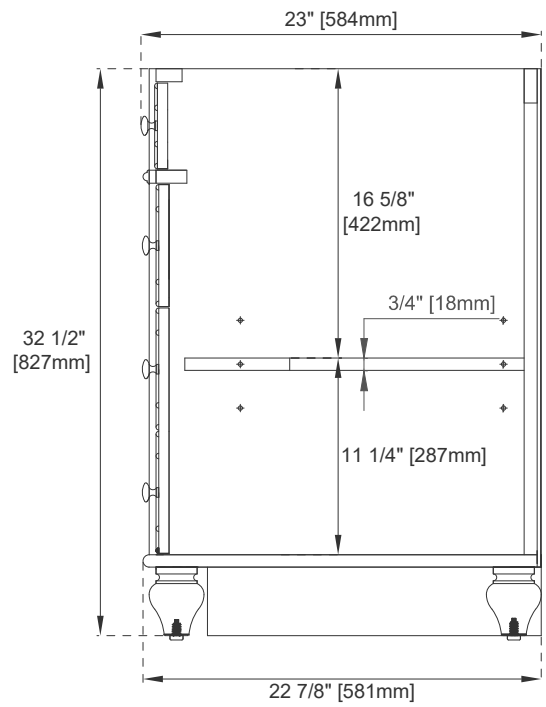
Knob

All dimensions are nominal
 Diagrams are of cabinet only—James Martin Optional Countertops and sinks are not shown

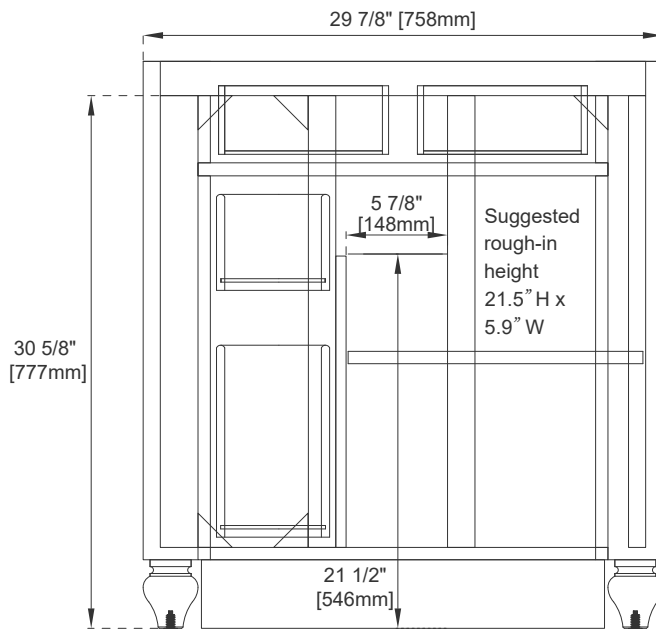
30" VANITY



Side View 1



Side View 2



Back View

All dimensions are nominal
 Diagrams are of cabinet only—James Martin Optional Countertops and sinks are not shown