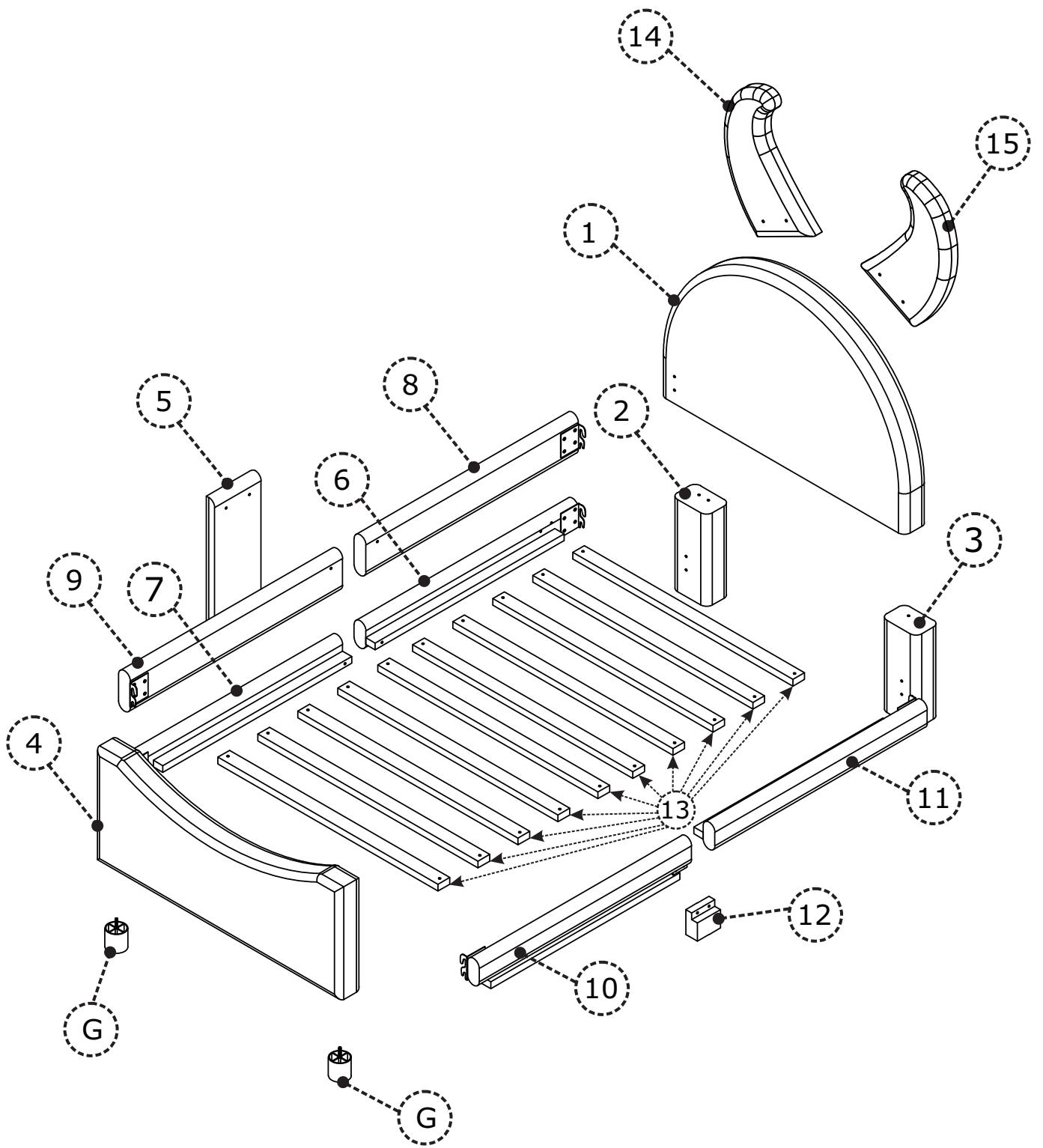
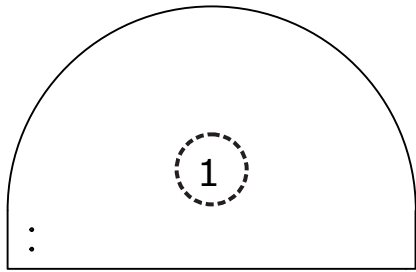


ASSEMBLY INSTRUCTIONS

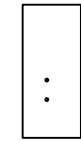


PARTS

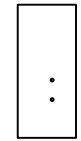
Check that you've received
all parts listed below.



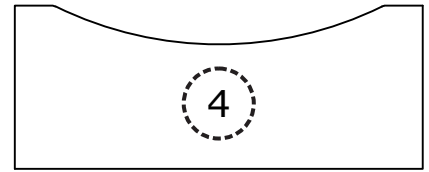
(1 pc)



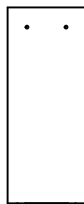
(1 pc)



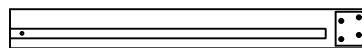
(1 pc)



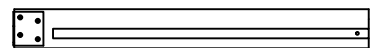
(1 pc)



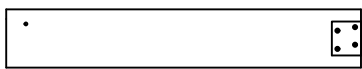
(1 pc)



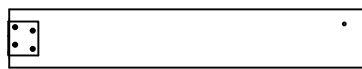
(1 pc)



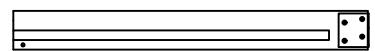
(1 pc)



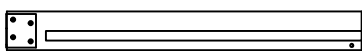
(1 pc)



(1 pc)



(1 pc)



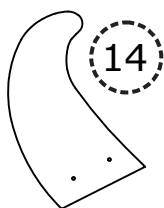
(1 pc)



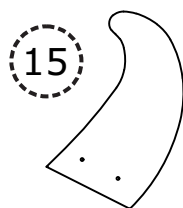
(1 pc)



(10 pcs)



(1 pc)



(1 pc)

Hardware



HARDWARE

Check that you've received
all hardware listed below.

A



26 pcs

B



26 pcs

C



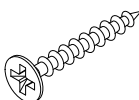
26 pcs

D



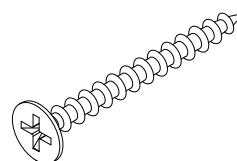
1 pc

E



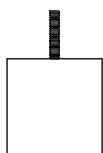
4 pcs

F



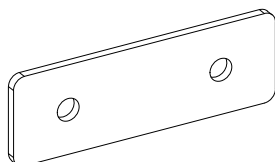
20 pcs

G







2 pcs

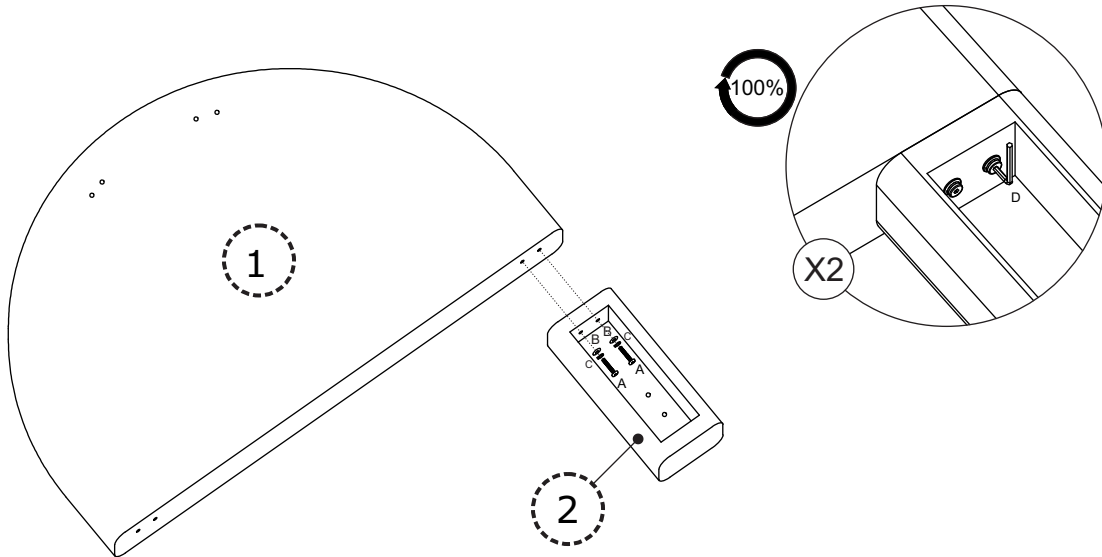
H




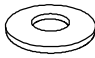


2 pcs

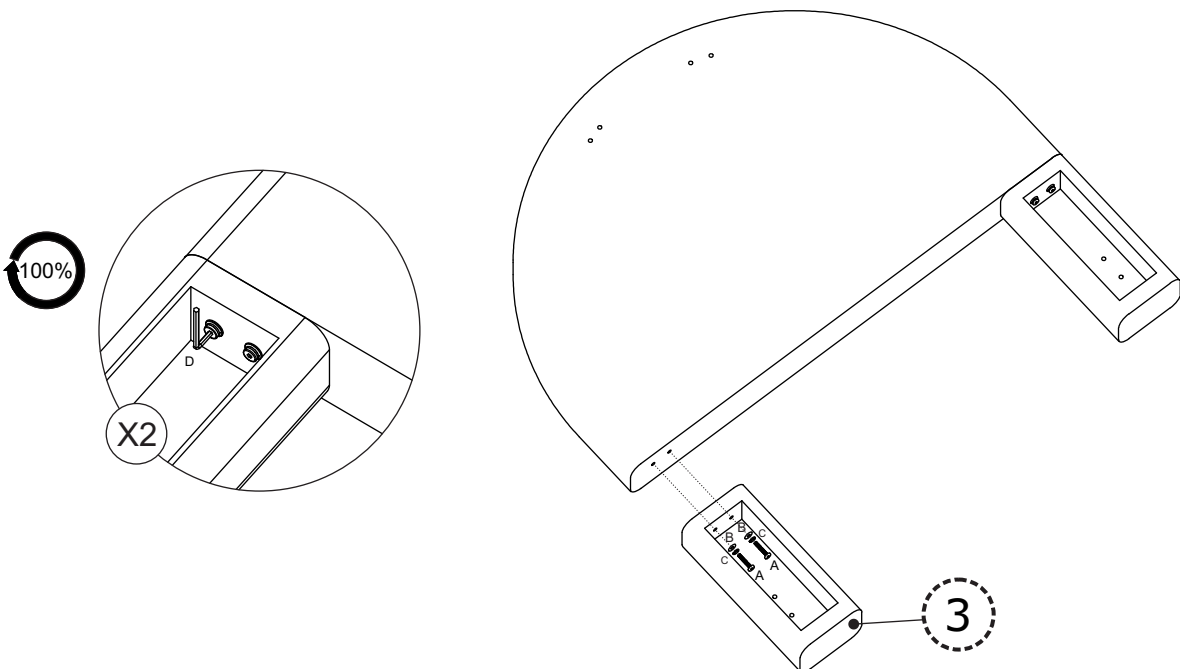
STEP 1

A x 2  Ø 5/16" x 38 mm	B x 2 	C x 2 	D x 1 	
---	--	--	--	--







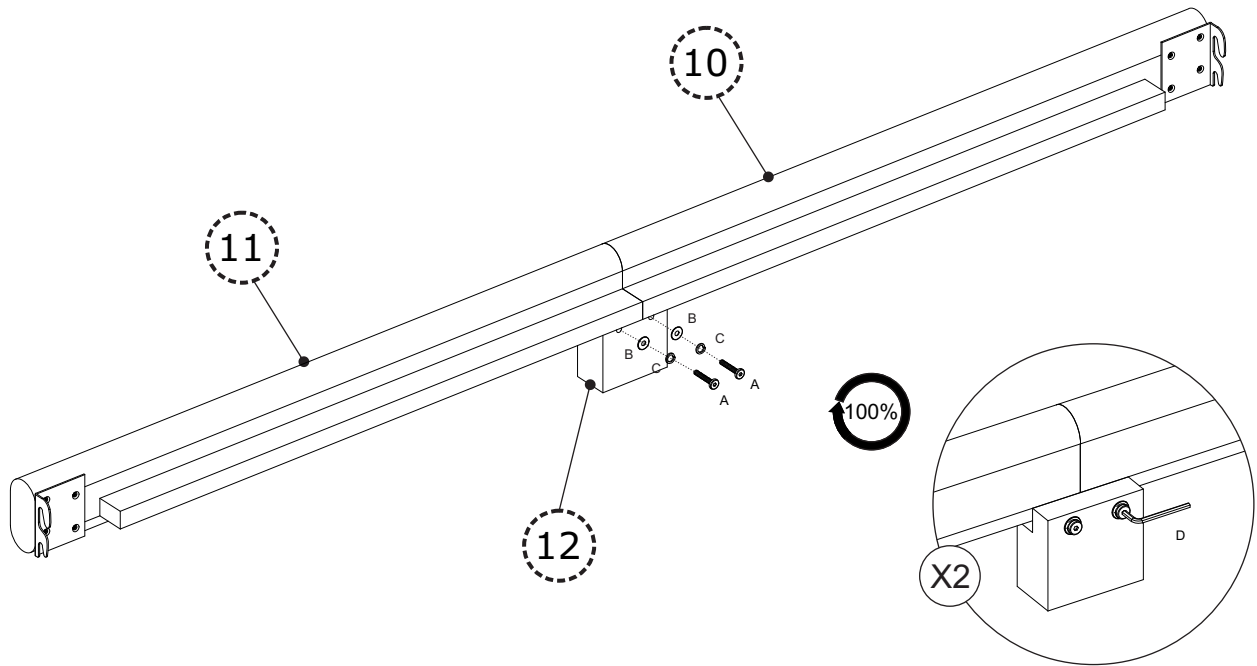
STEP 2

A x 2  Ø 5/16" x 38 mm	B x 2 	C x 2 	D x 1 	
---	--	--	--	--

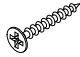
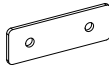


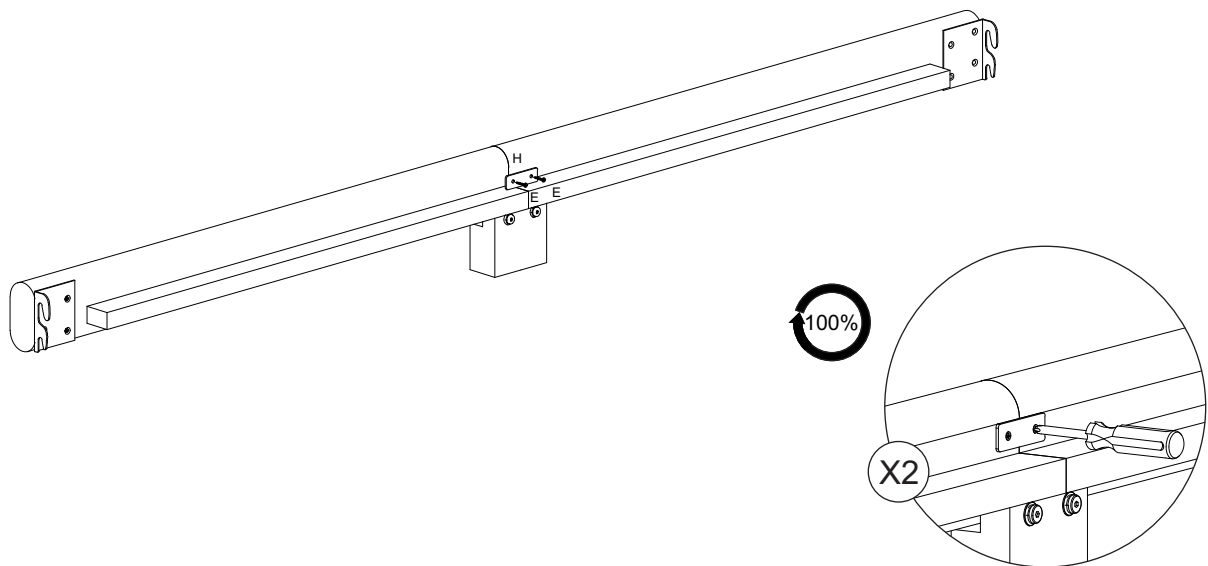
STEP 3

<p>A x 2</p>  <p>Ø 5/16" x 38 mm</p>	<p>B x 2</p> 	<p>C x 2</p> 	<p>D x 1</p> 	
---	--	--	--	--







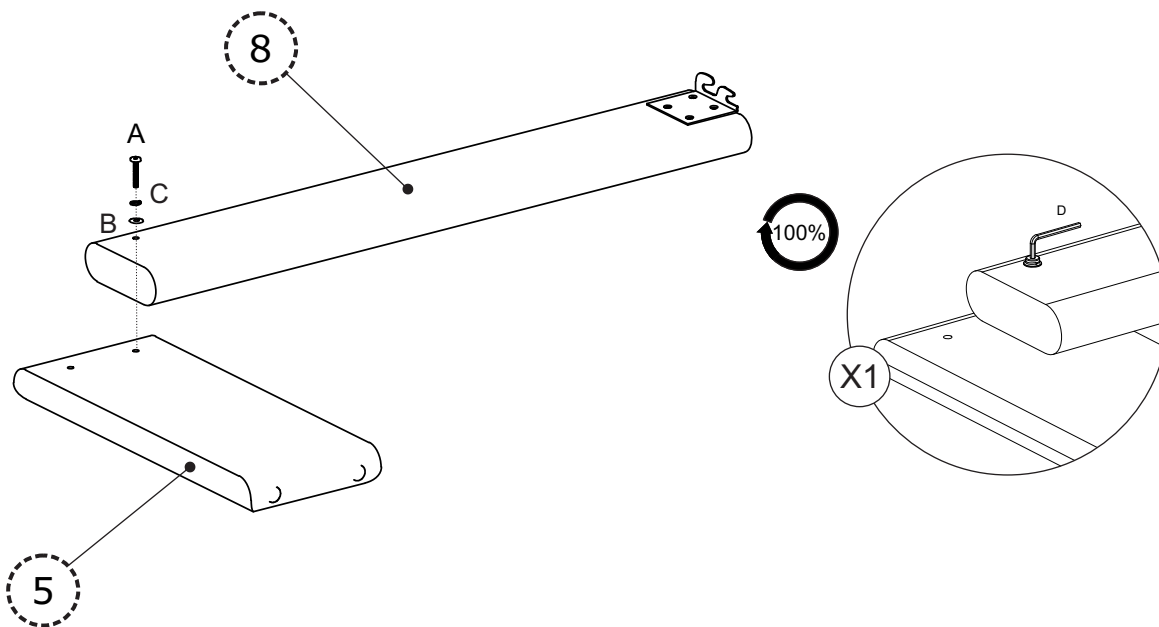
STEP 4

<p>E x 2</p> 	<p>H x 1</p> 			
--	--	--	--	--







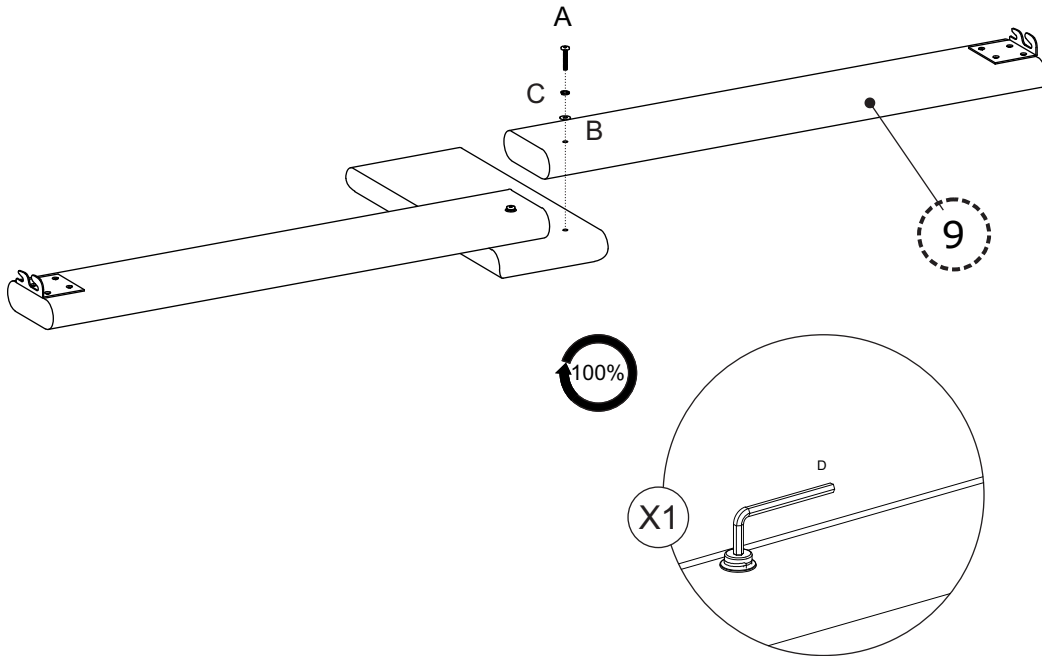
STEP 5

A x 1  Ø 5/16" x 38 mm	B x 1 	C x 1 	D x 1 	
---	--	--	--	--







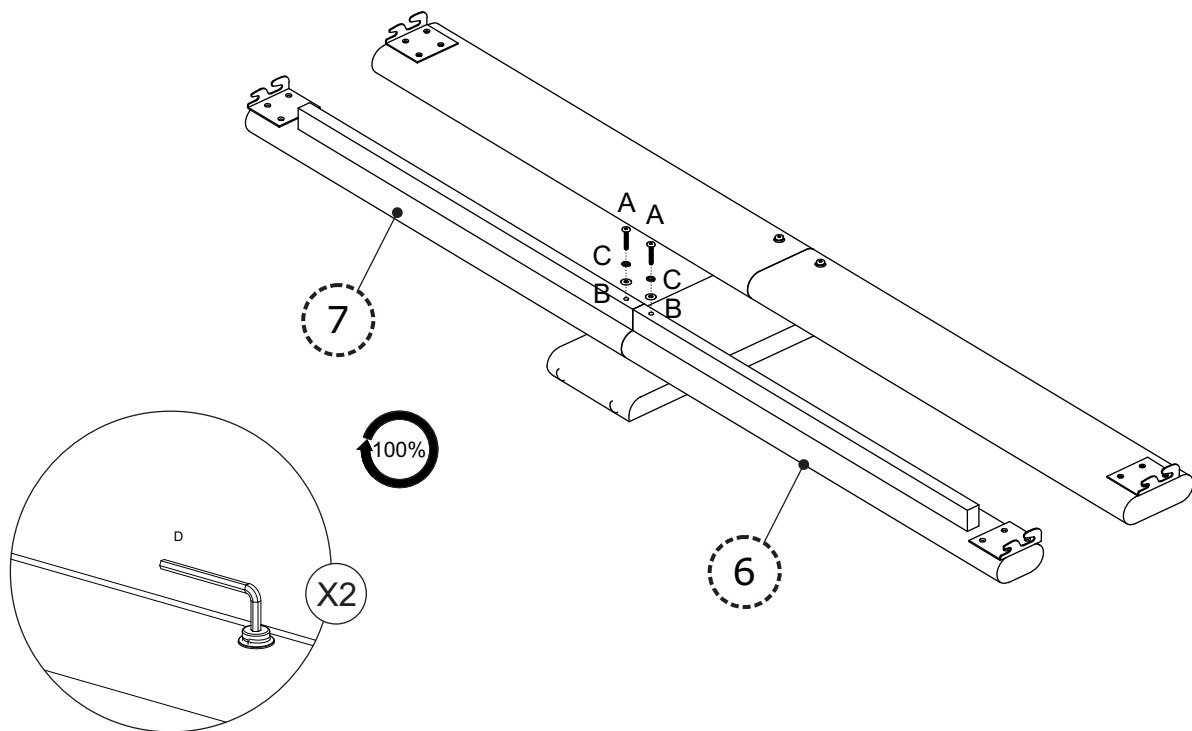
STEP 6

<p>A x 1</p>  <p>Ø 5/16" x 38 mm</p>	<p>B x 1</p> 	<p>C x 1</p> 	<p>D x 1</p> 	
---	--	--	--	--

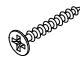



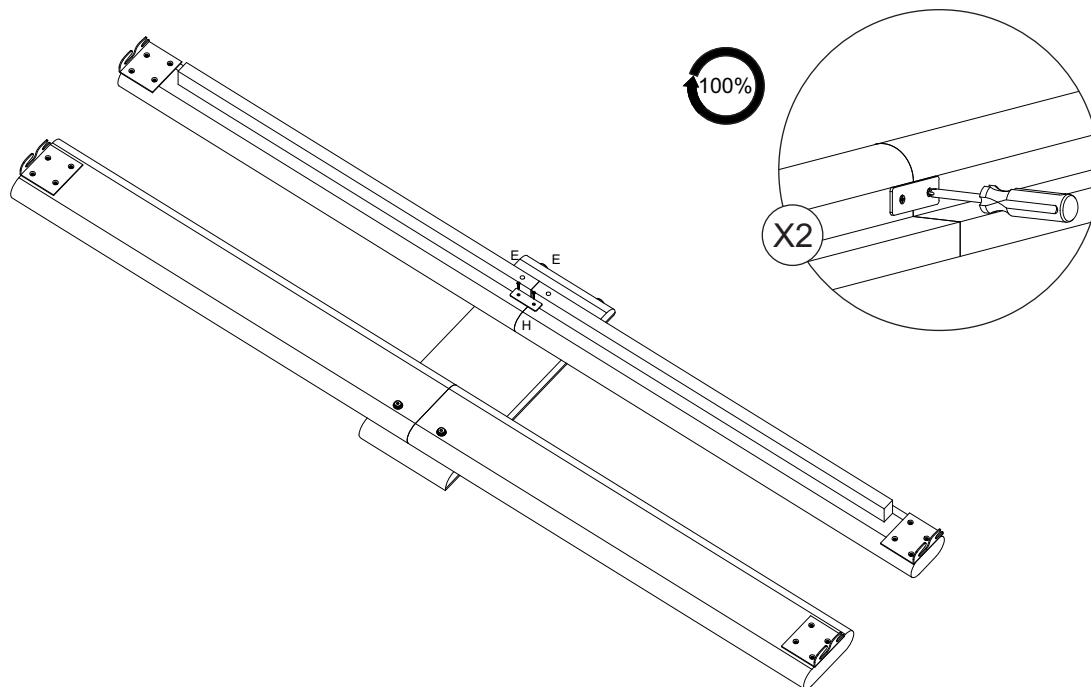
STEP 7

<p>A x 2</p>  <p>Ø 5/16" x 38 mm</p>	<p>B x 2</p> 	<p>C x 2</p> 	<p>D x 1</p> 	
---	--	--	--	--




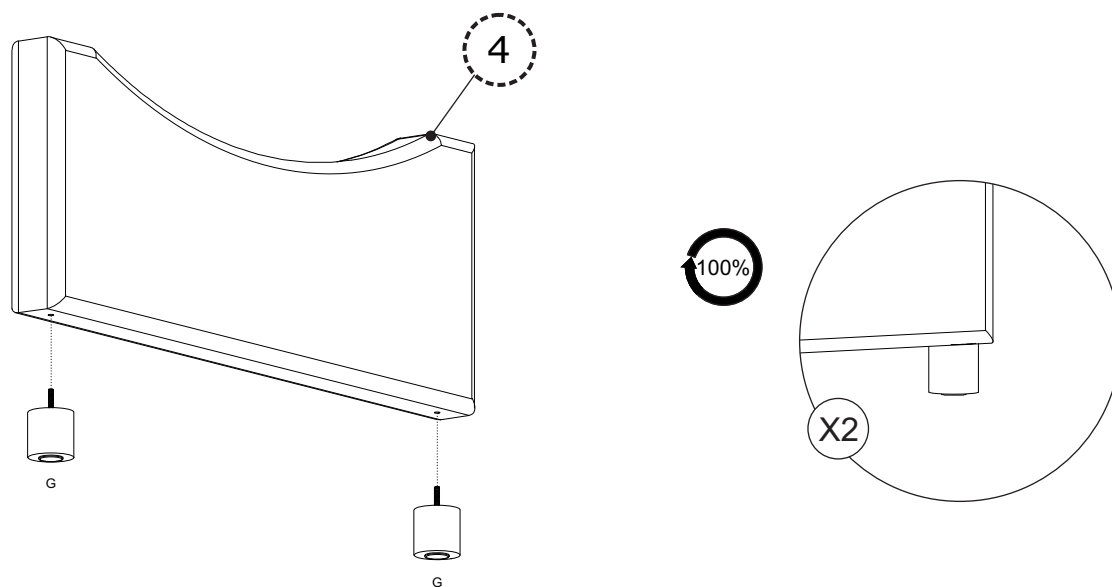
STEP 8

Ex 2 	Hx1 			
---	--	--	--	--







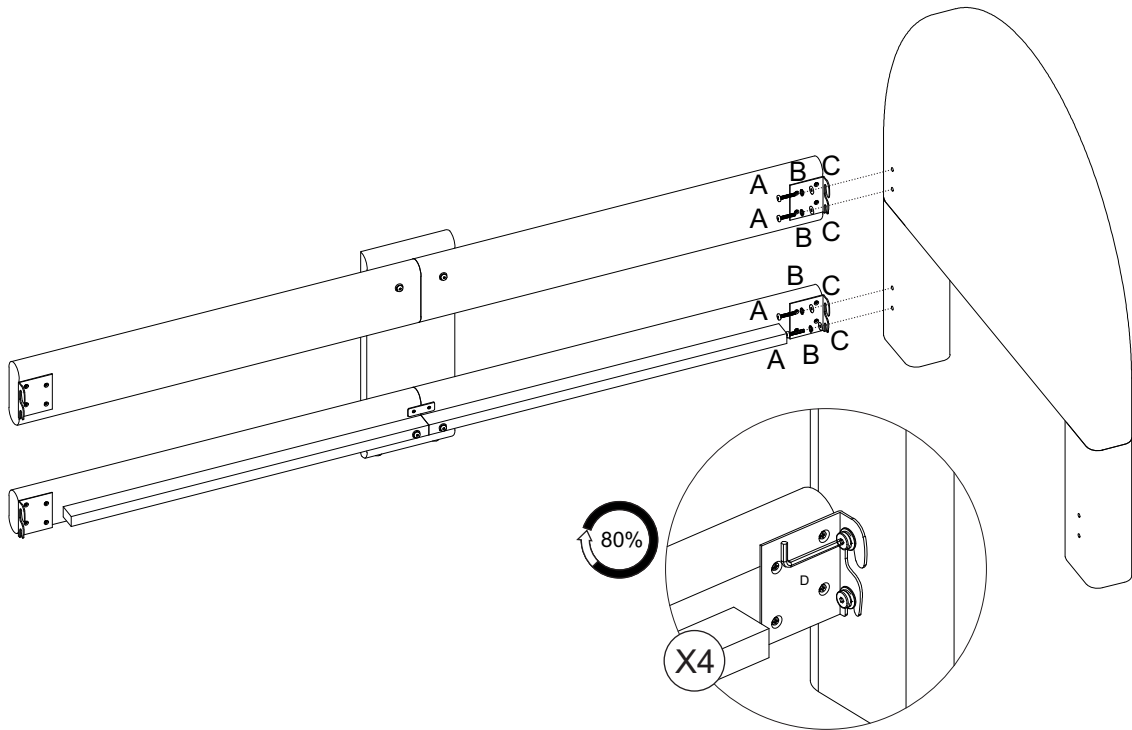
STEP 9

G x 2 				
--	--	--	--	--







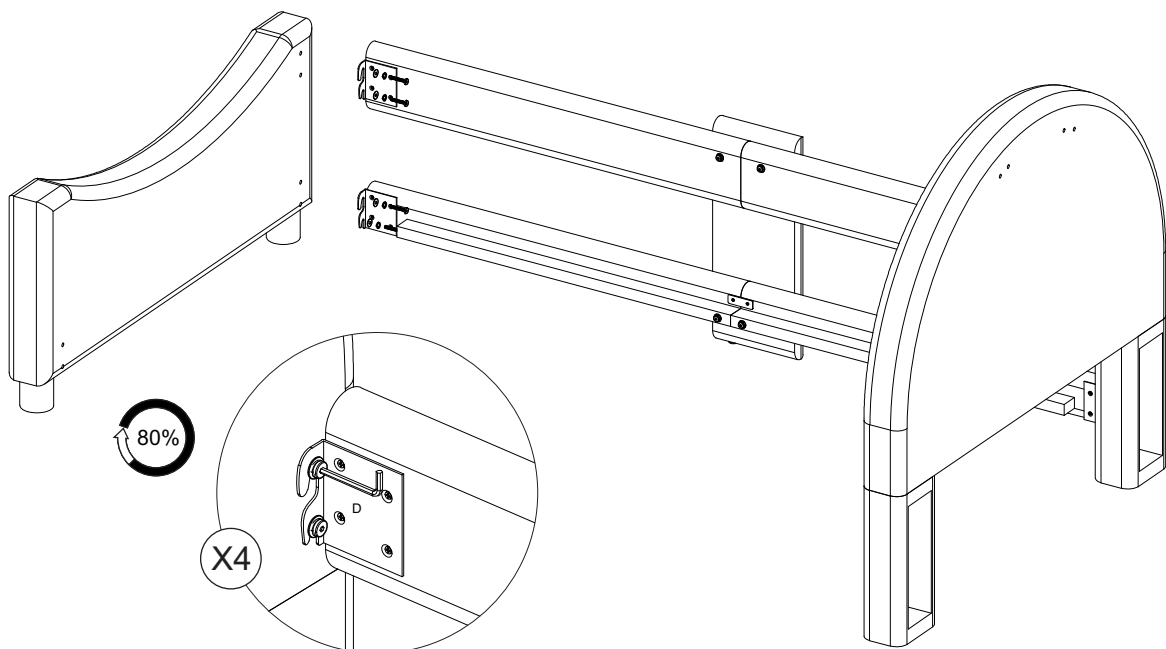
STEP 10

A x 4  Ø 5/16" x 38 mm	B x 4 	C x 4 	D x 1 	
---	--	--	--	--







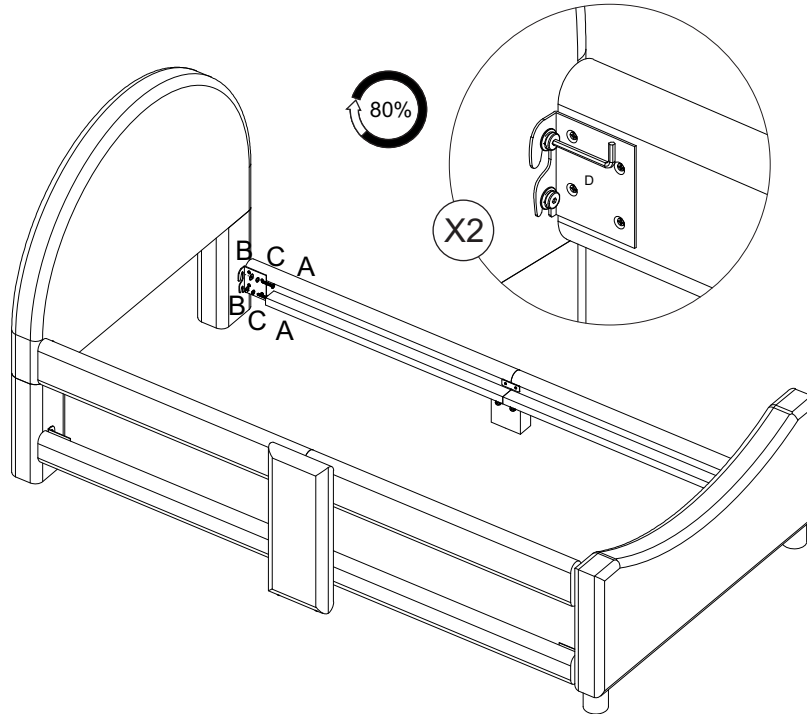
STEP 11

A x 4  Ø 5/16" x 38 mm	B x 4 	C x 4 	D x 1 	
---	--	--	--	--







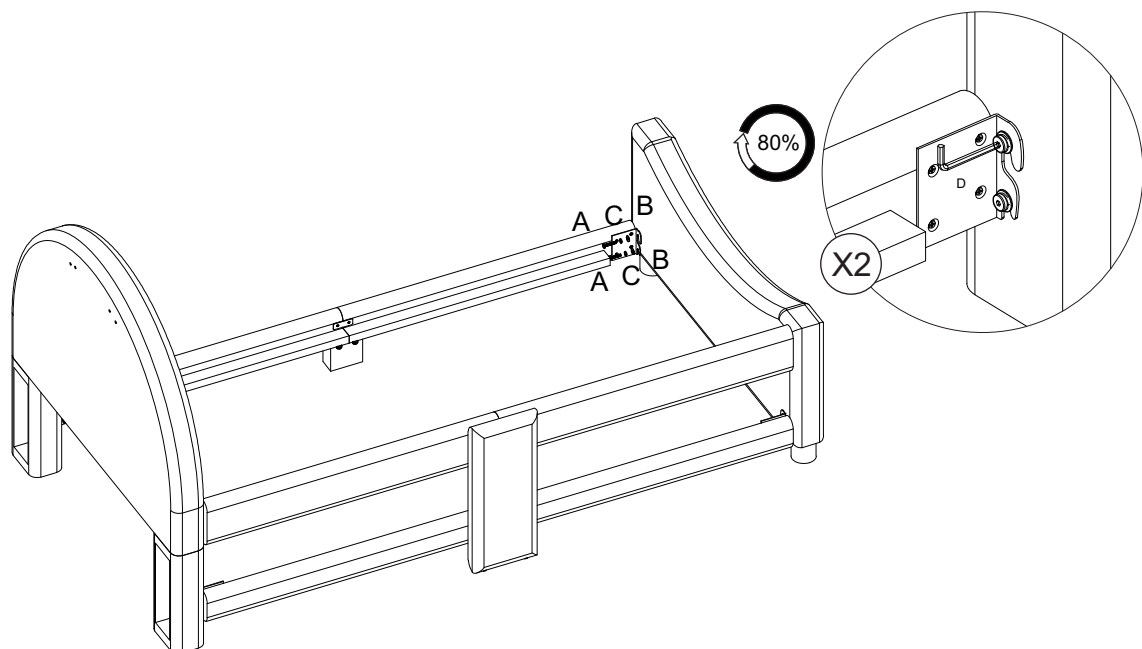
STEP 12

A x 2  Ø 5/16" x 38 mm	B x 2 	C x 2 	D x 1 	
---	--	--	--	--

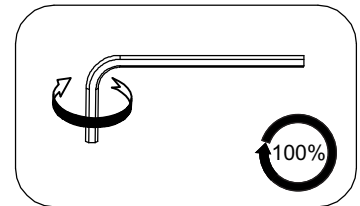
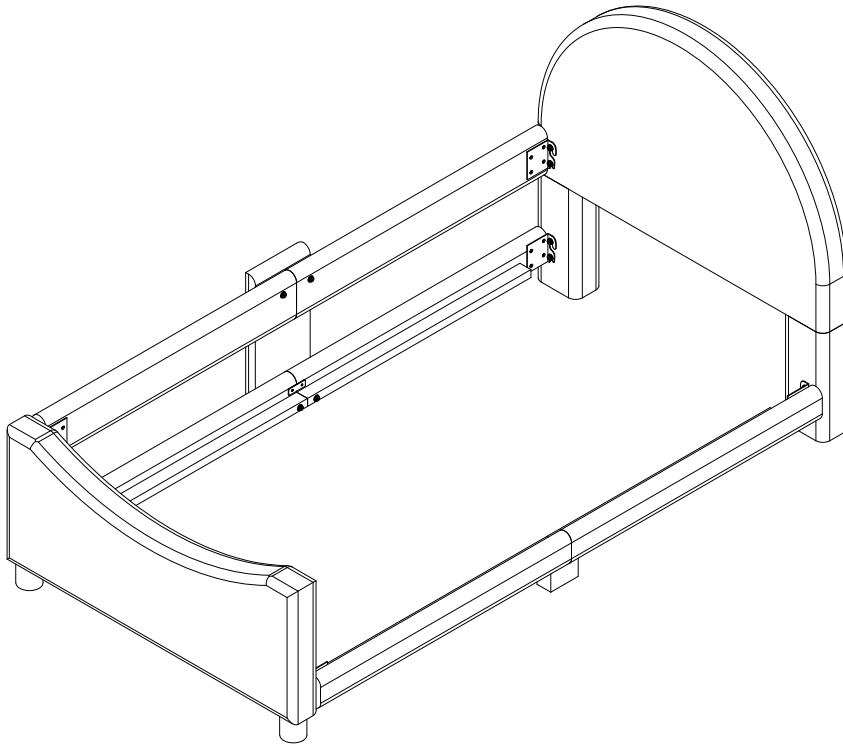
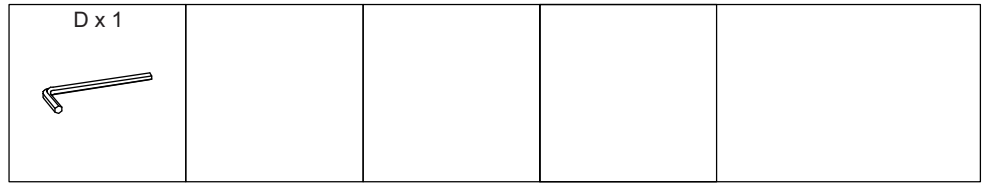


STEP 13

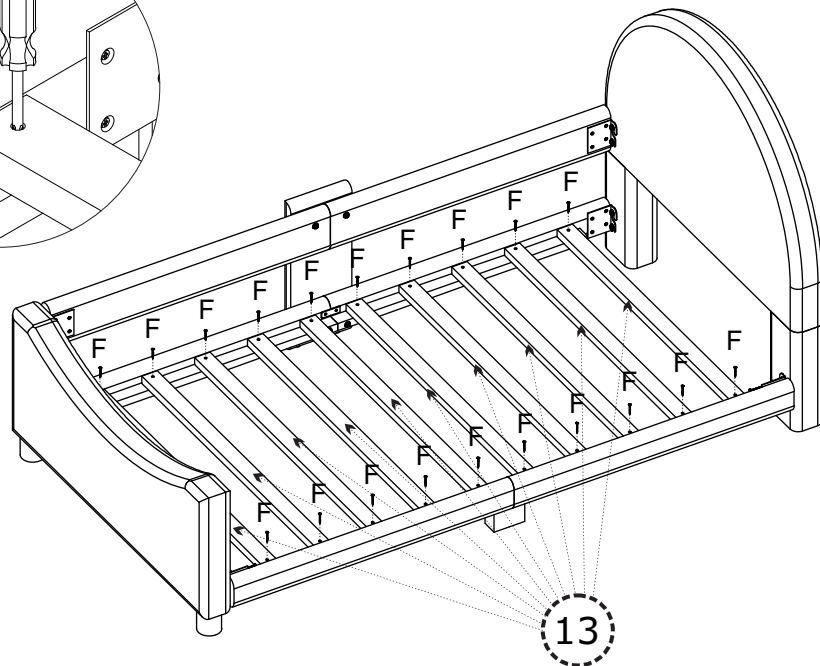
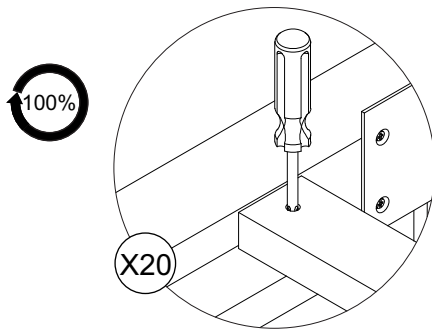
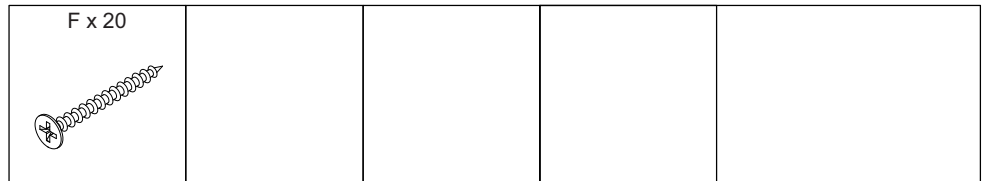
A x 2  Ø 5/16" x 38 mm	B x 2 	C x 2 	D x 1 	
---	--	--	--	--







STEP 14



STEP 15



STEP 16

A x 4  Ø 5/16" x 38 mm	B x 4 	C x 4 	D x 1 	
---	--	--	--	--

