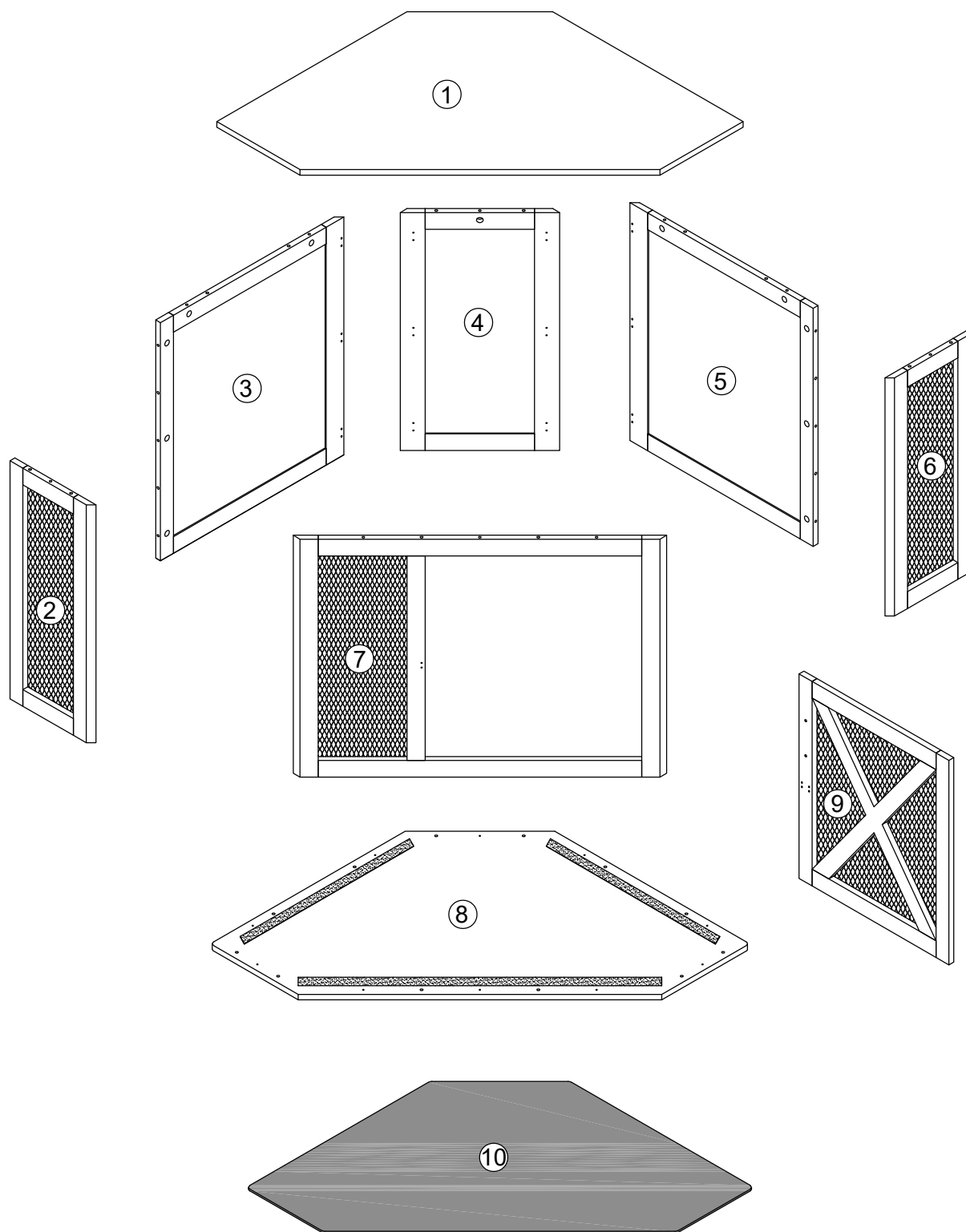
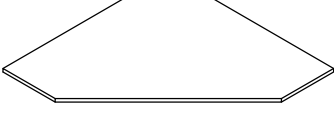
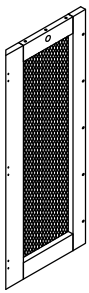
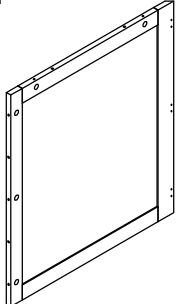
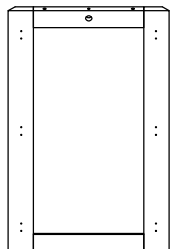
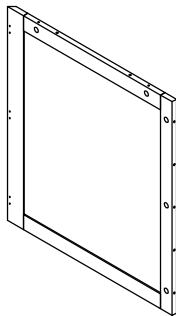
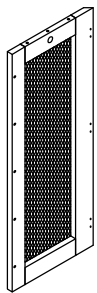
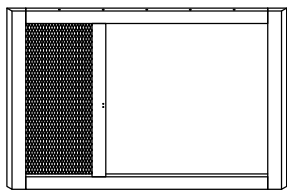
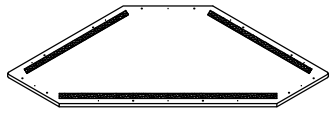
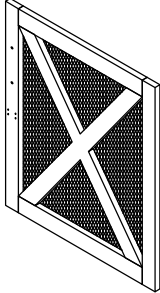
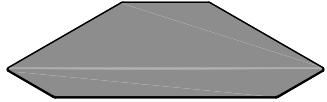
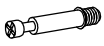


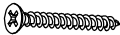



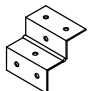

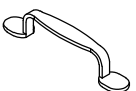
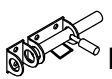




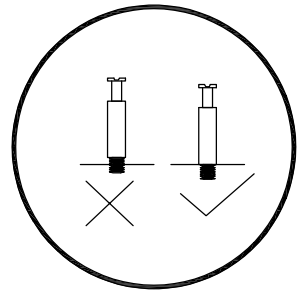
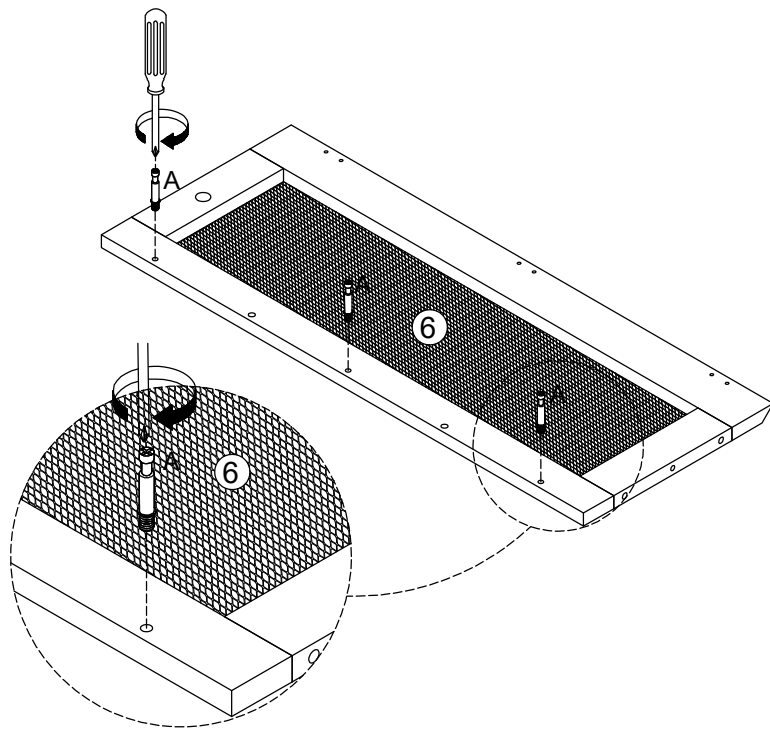
CAUTION:When tightening the screws,tighten sequentially.Do not tighten any screws fully and then towards the next one.When every part is OK, then tighten all the screws.



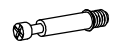
①x1 	②x1 	③x1 	④x1 
⑤x1 	⑥x1 	⑦x1 	⑧x1 
⑨x1 	⑩x1 		

A X16(+1)  6x25mm	B X16(+1)  15x10mm	C X28(+1)  6x30mm	D X10(+1)  4x35mm	E X70(+2)  3x12mm
F X2 	G X12 	H X2 	I X2 	J X1 
K X1  K-1 K-2	L X13 	M X6 		

1

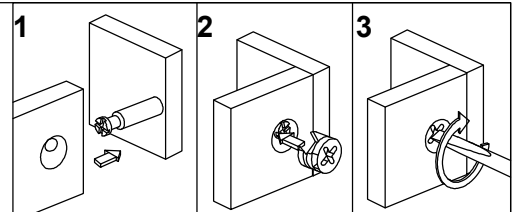
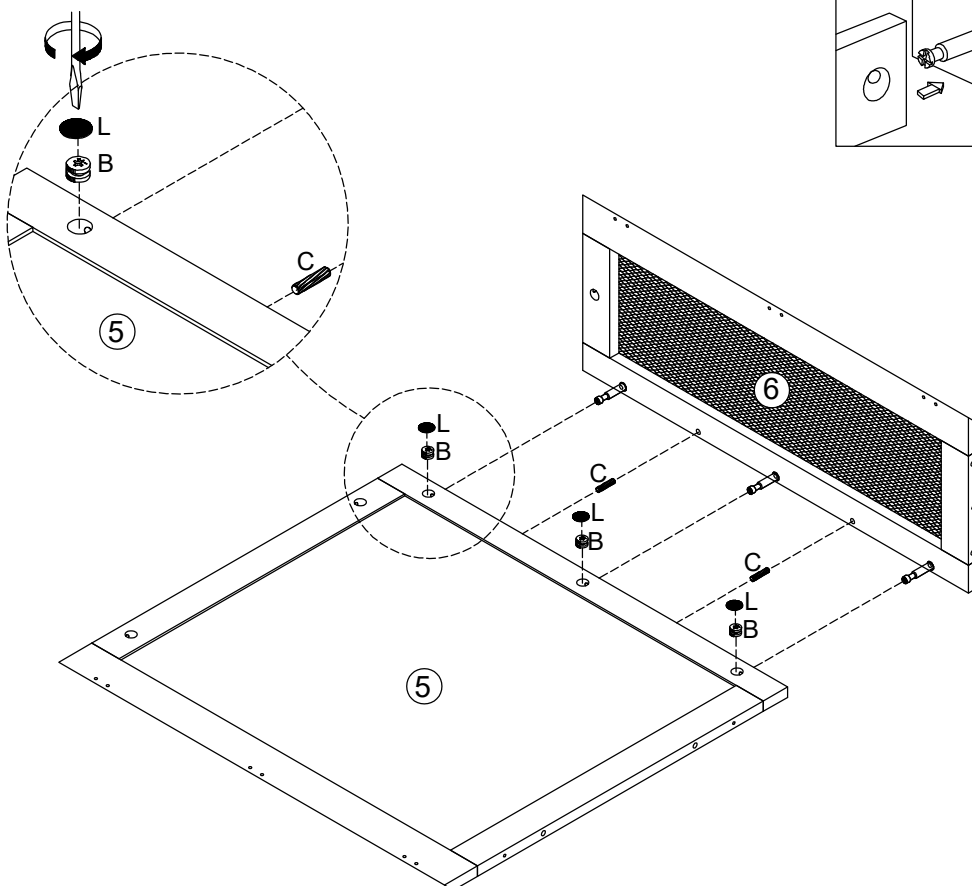


A X3



6x35mm

2



B X3



15x10mm

C X2

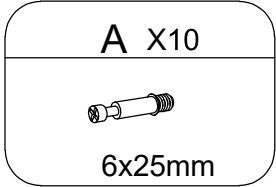
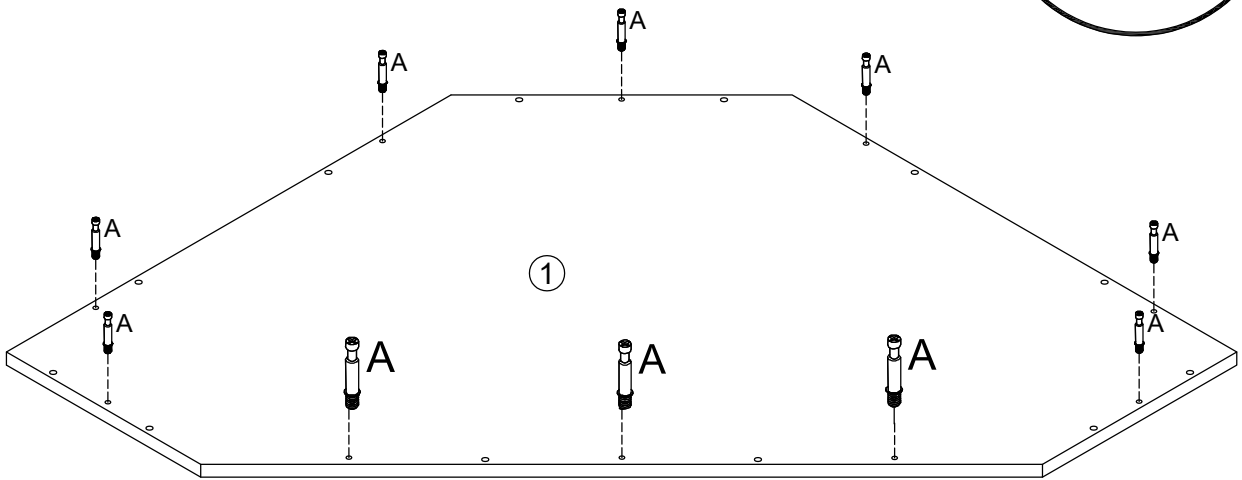


6x30mm

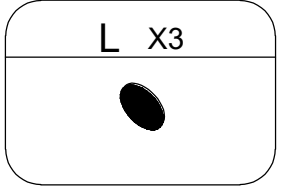
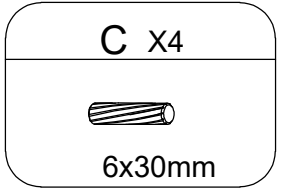
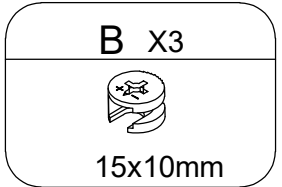
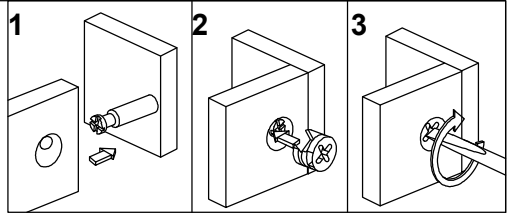
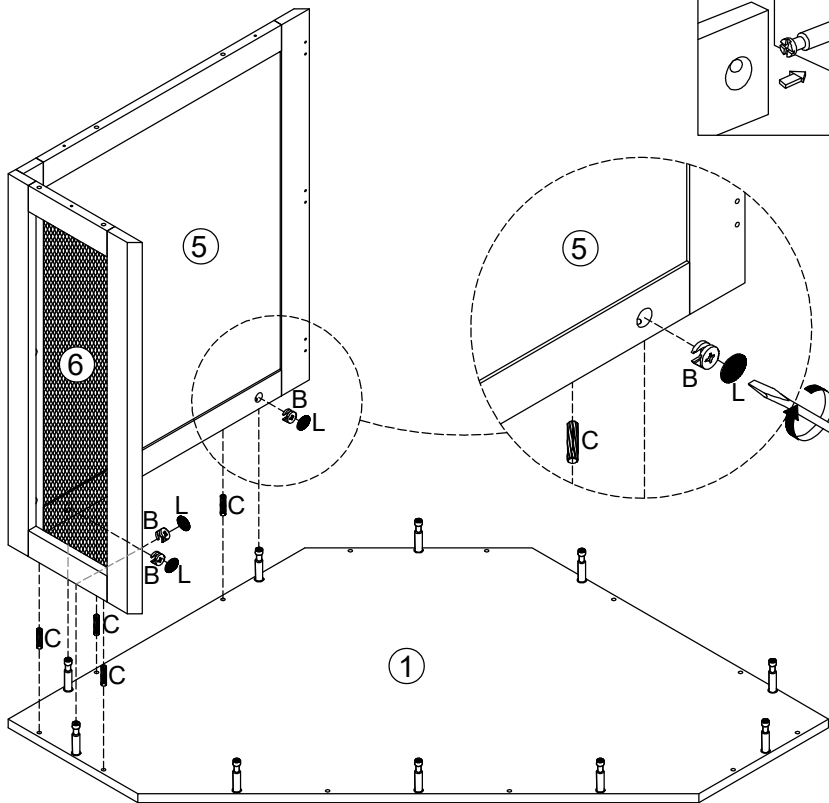
L X3

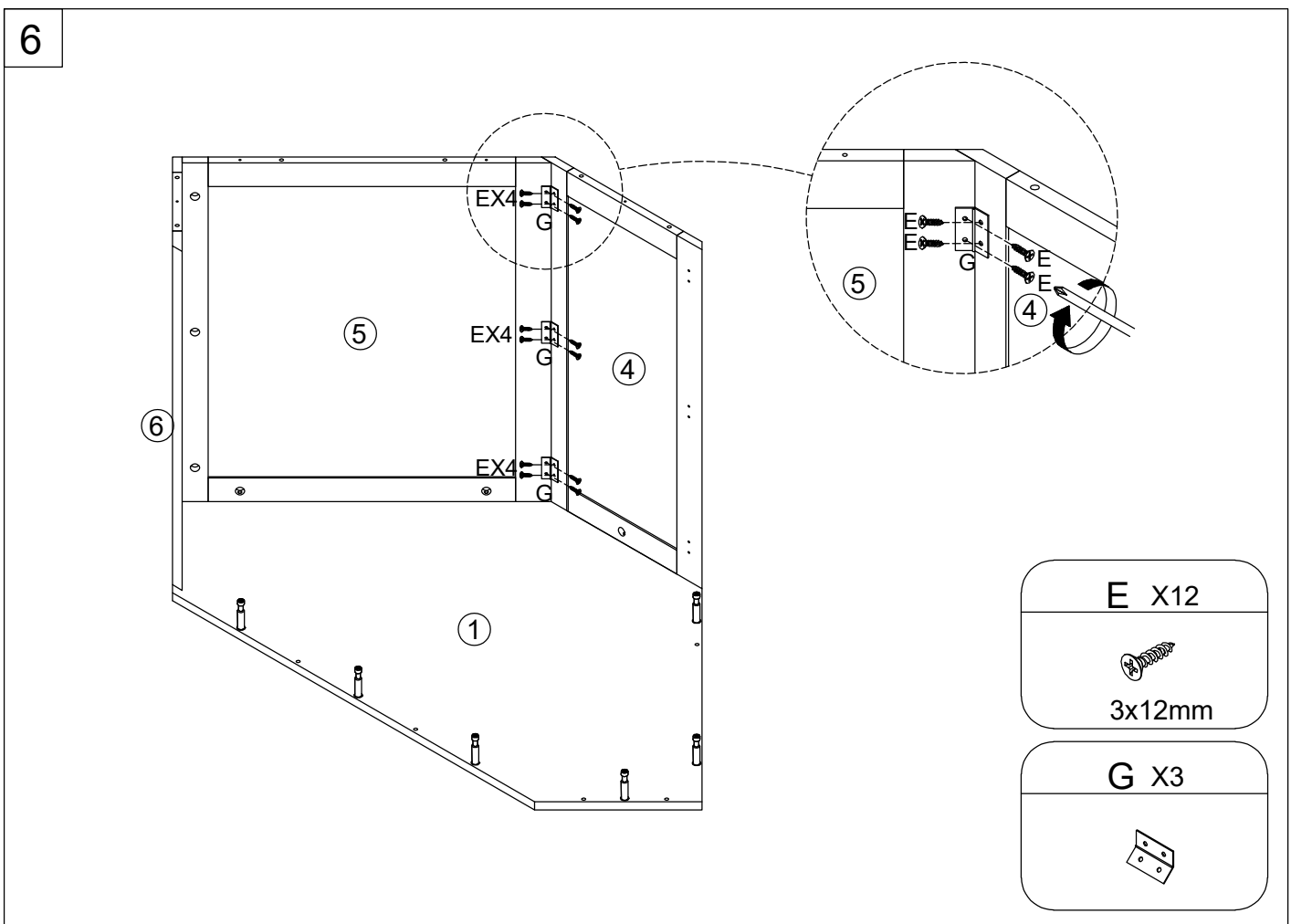
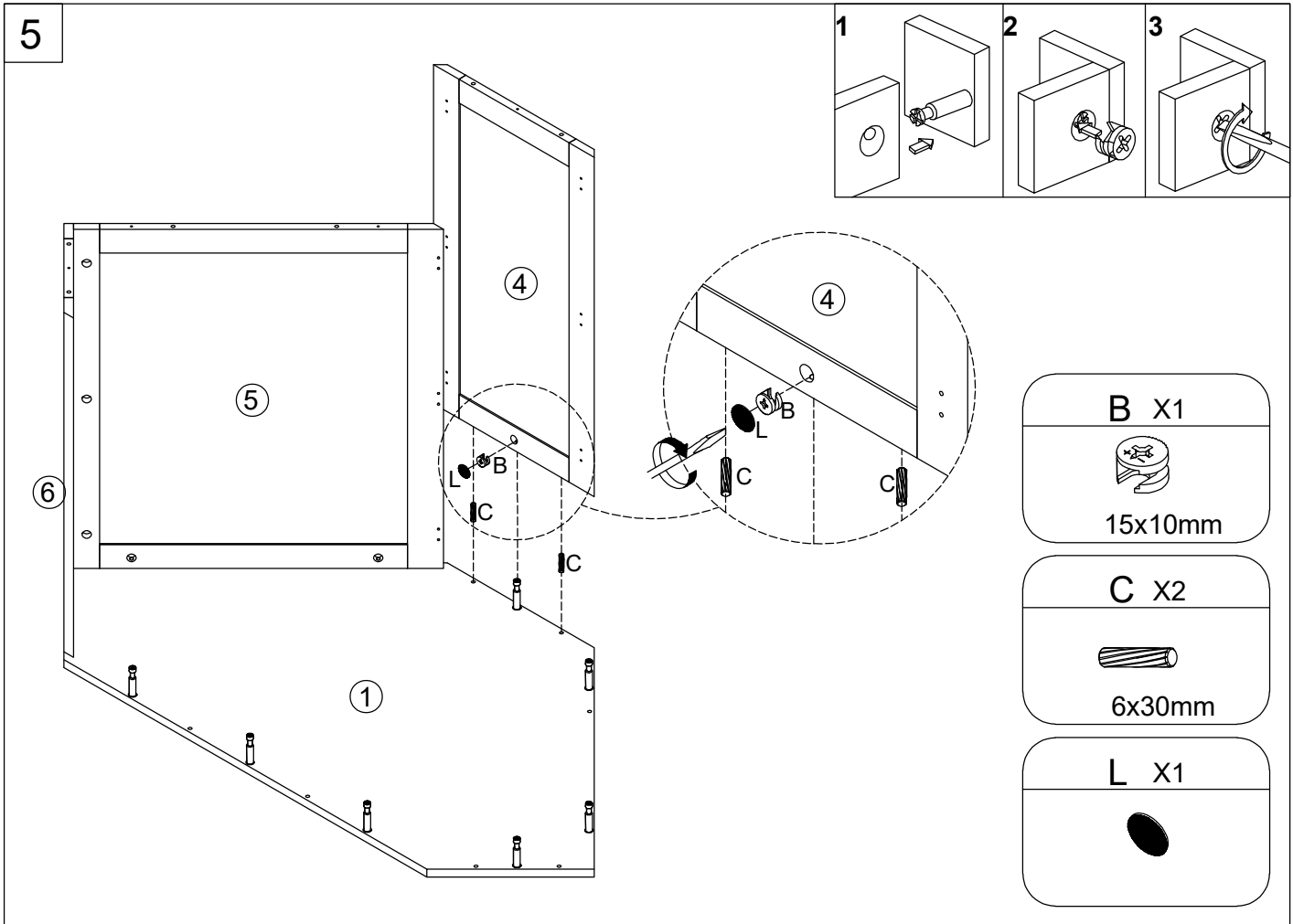


3

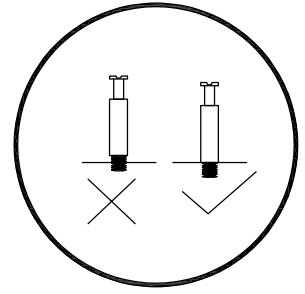
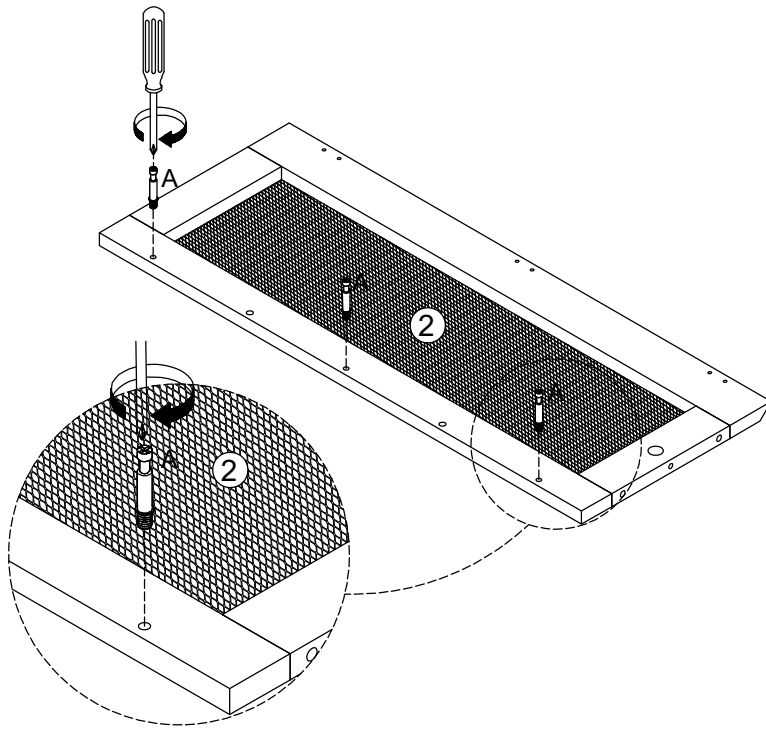


4

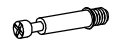




7

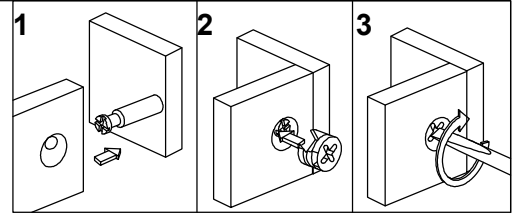
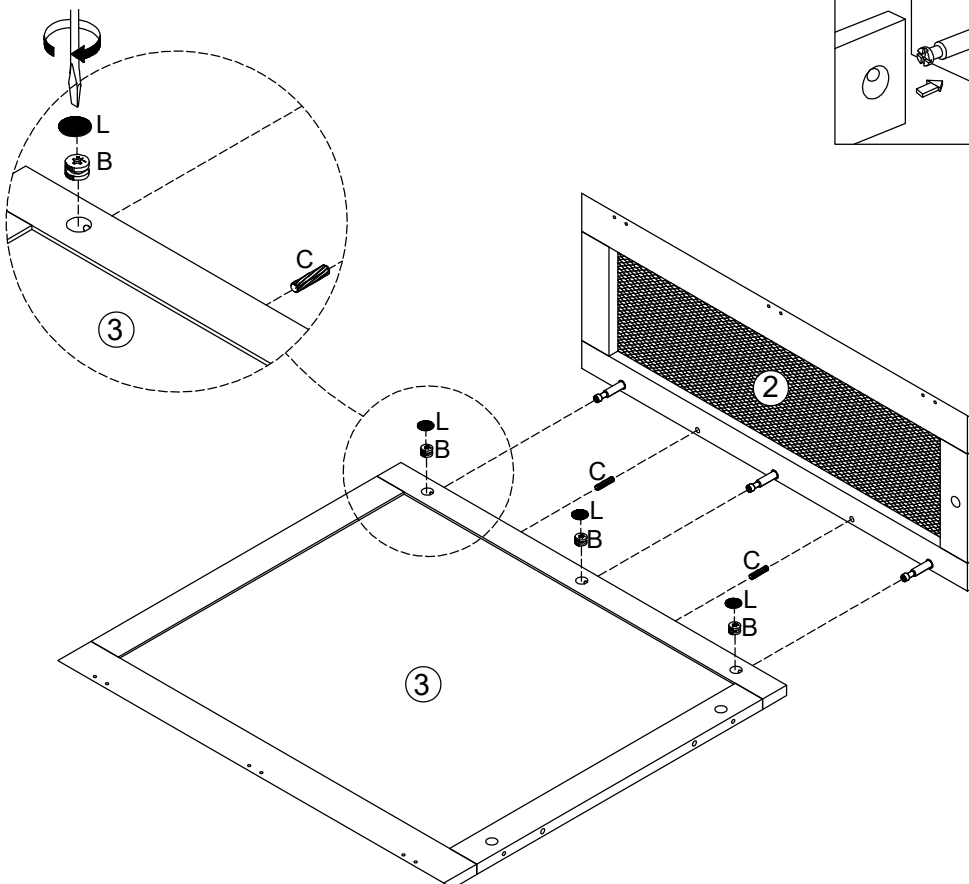


A X3



6x35mm

8



B X3



15x10mm

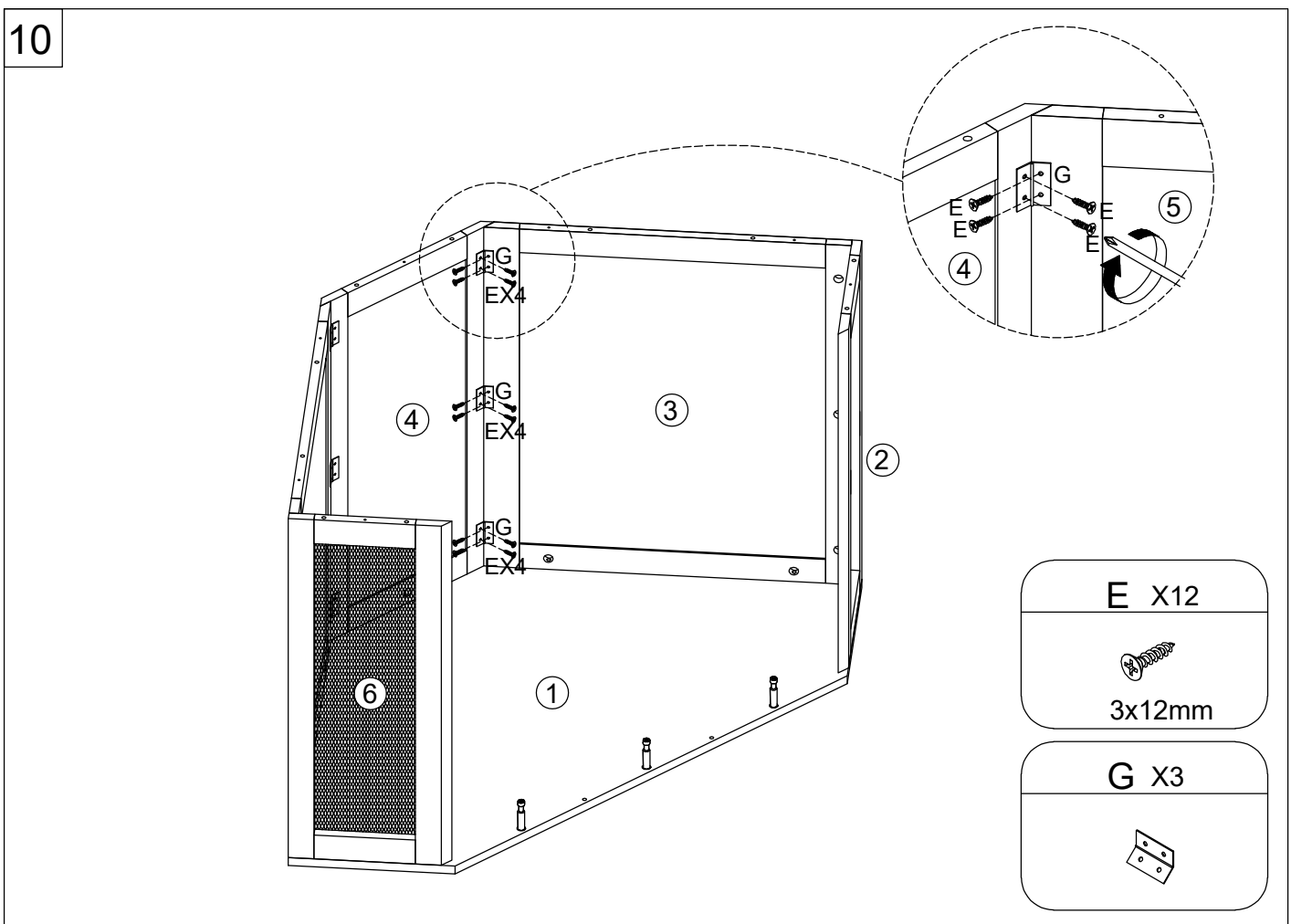
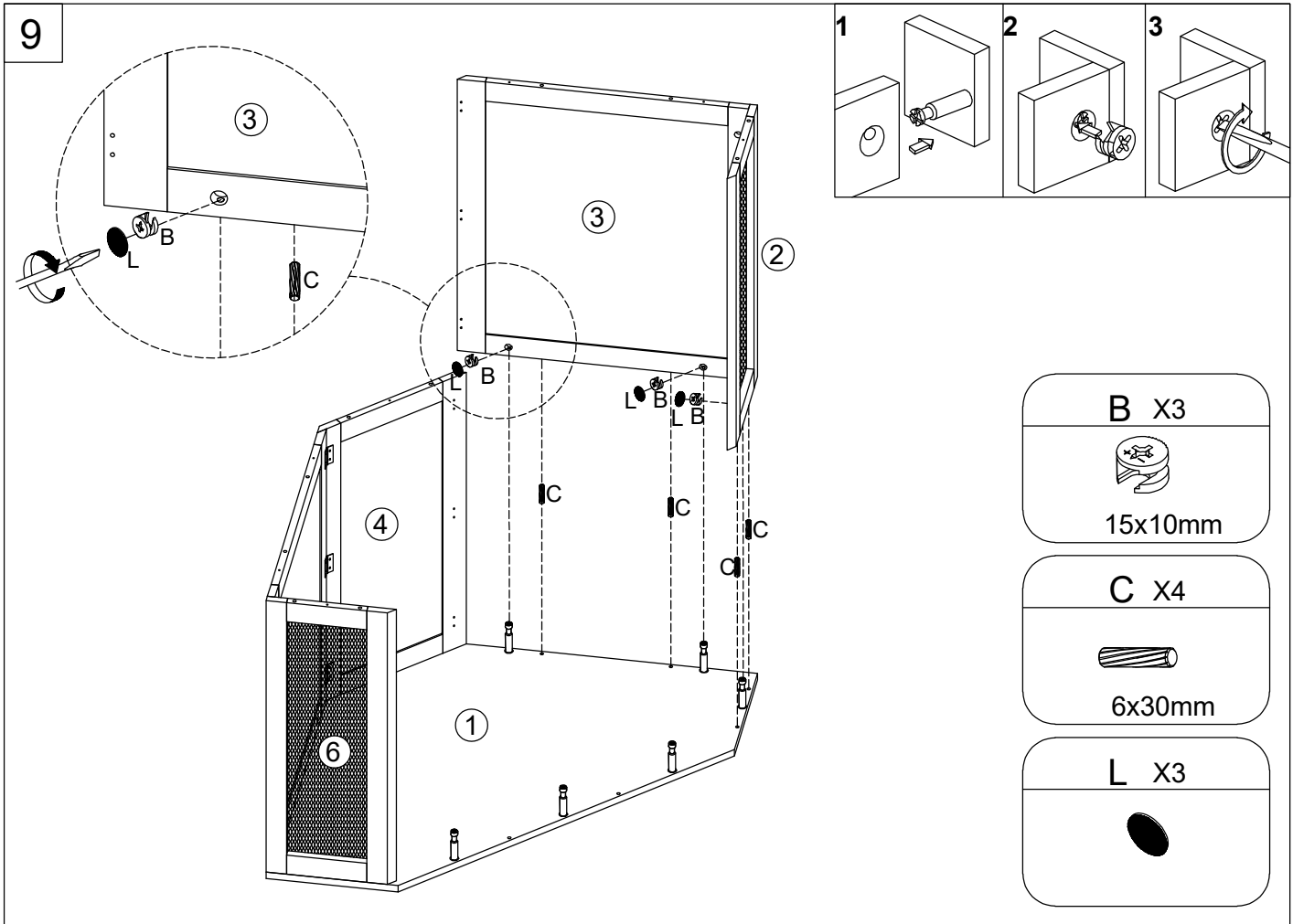
C X2



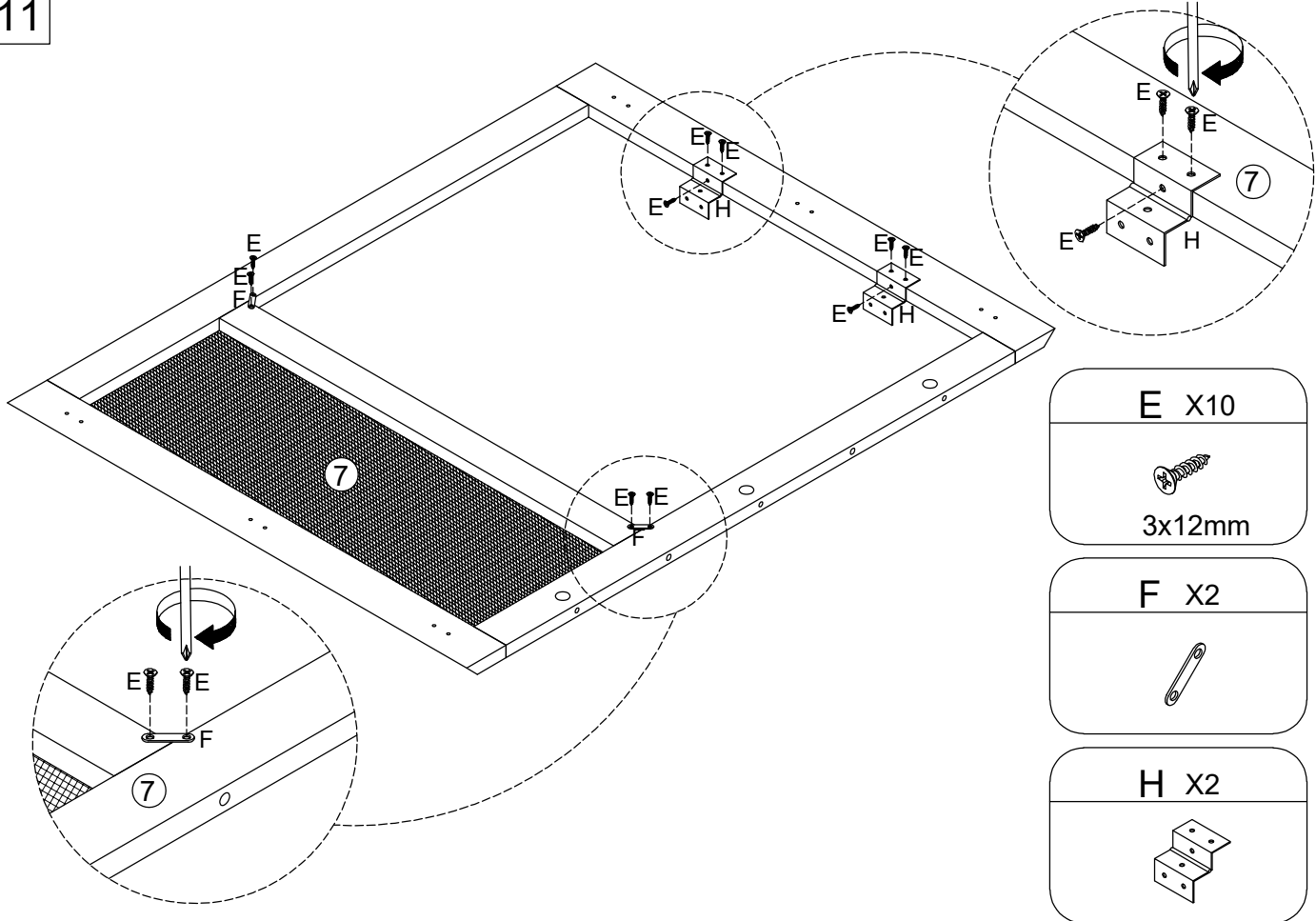
6x30mm



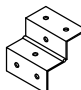
L X3





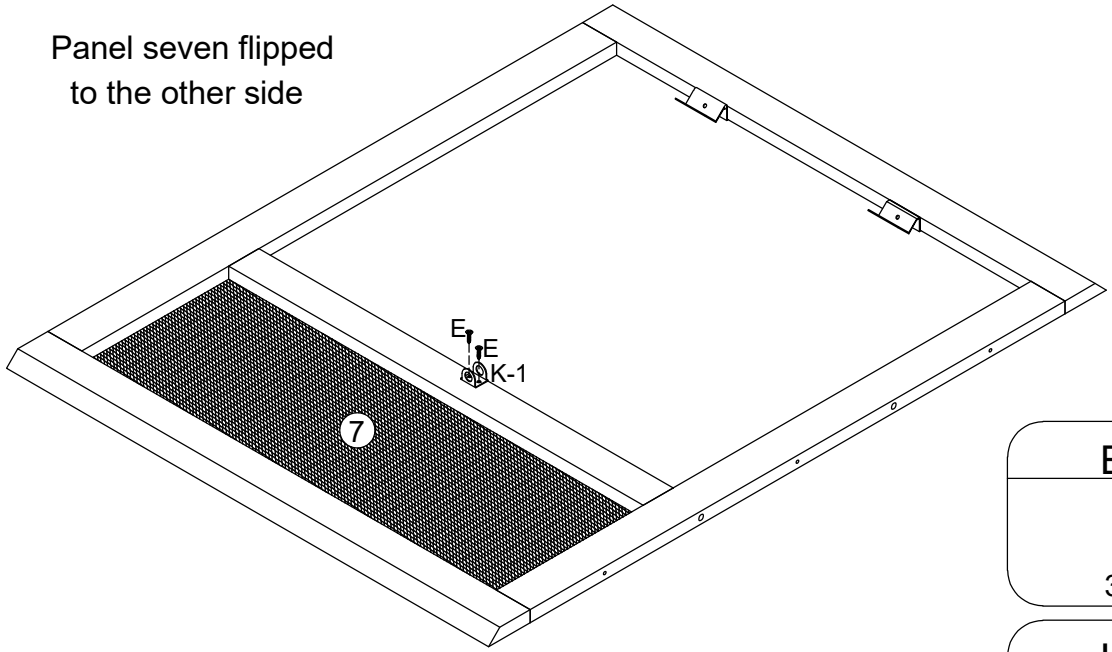
11





- E X10**

 3x12mm
- F X2**

- H X2**


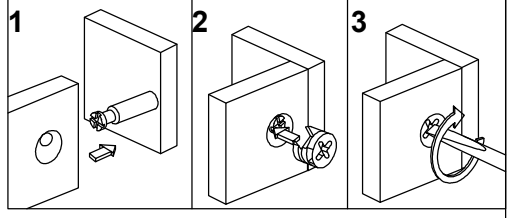
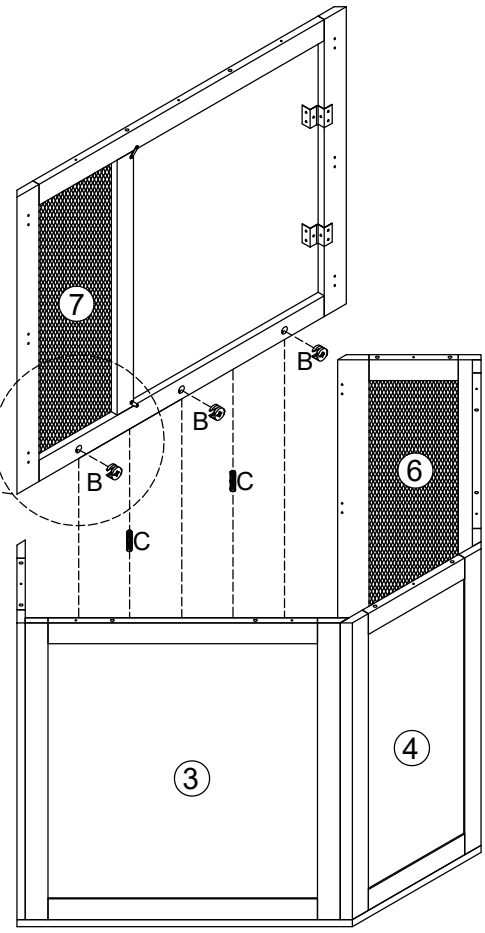
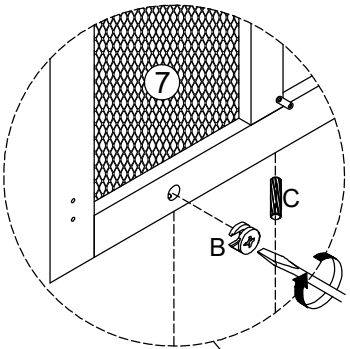
12


Panel seven flipped to the other side




- E X2**

 3x12mm
- K X1**
 K-1 

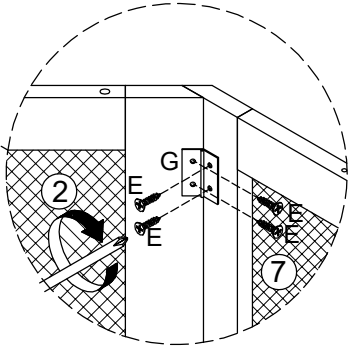
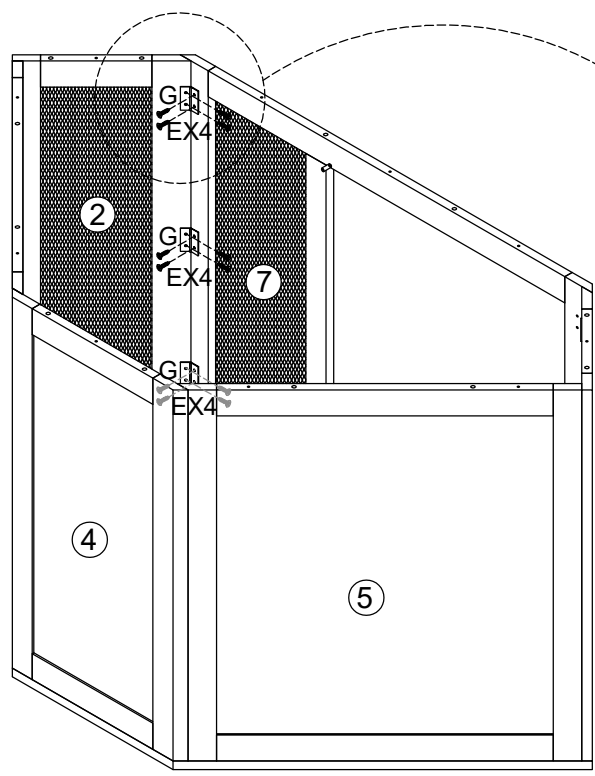
13





- B X3**
- 
- 15x10mm

- C X2**
- 
- 6x30mm

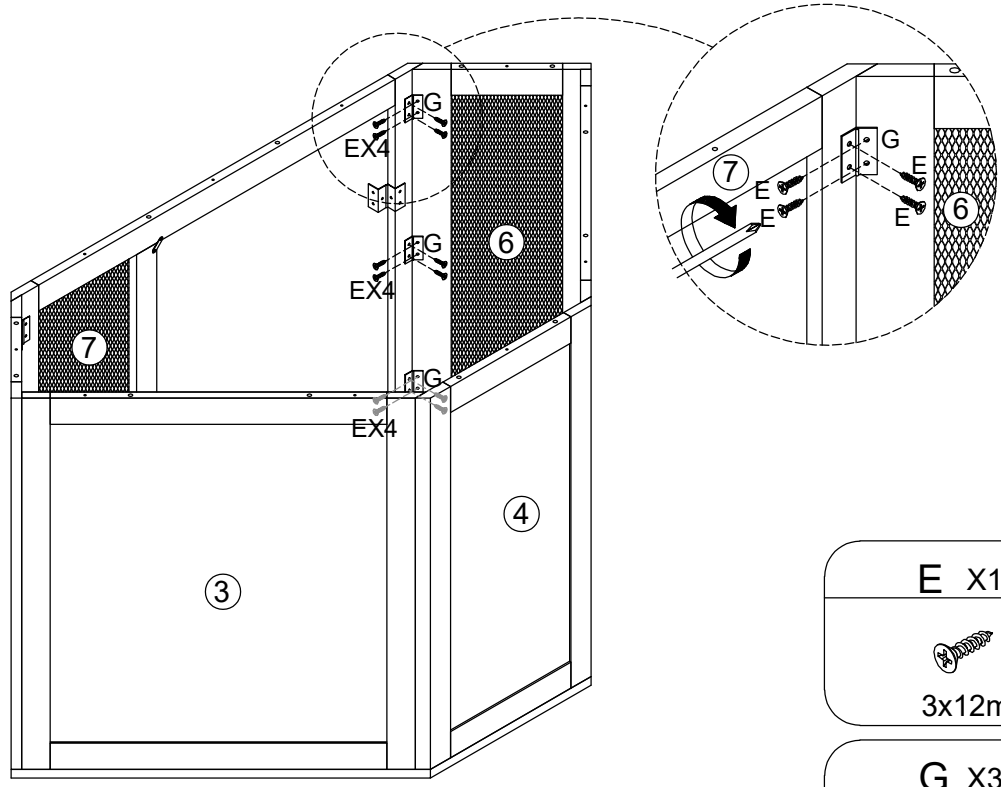
14



- E X12**
- 
- 3x12mm

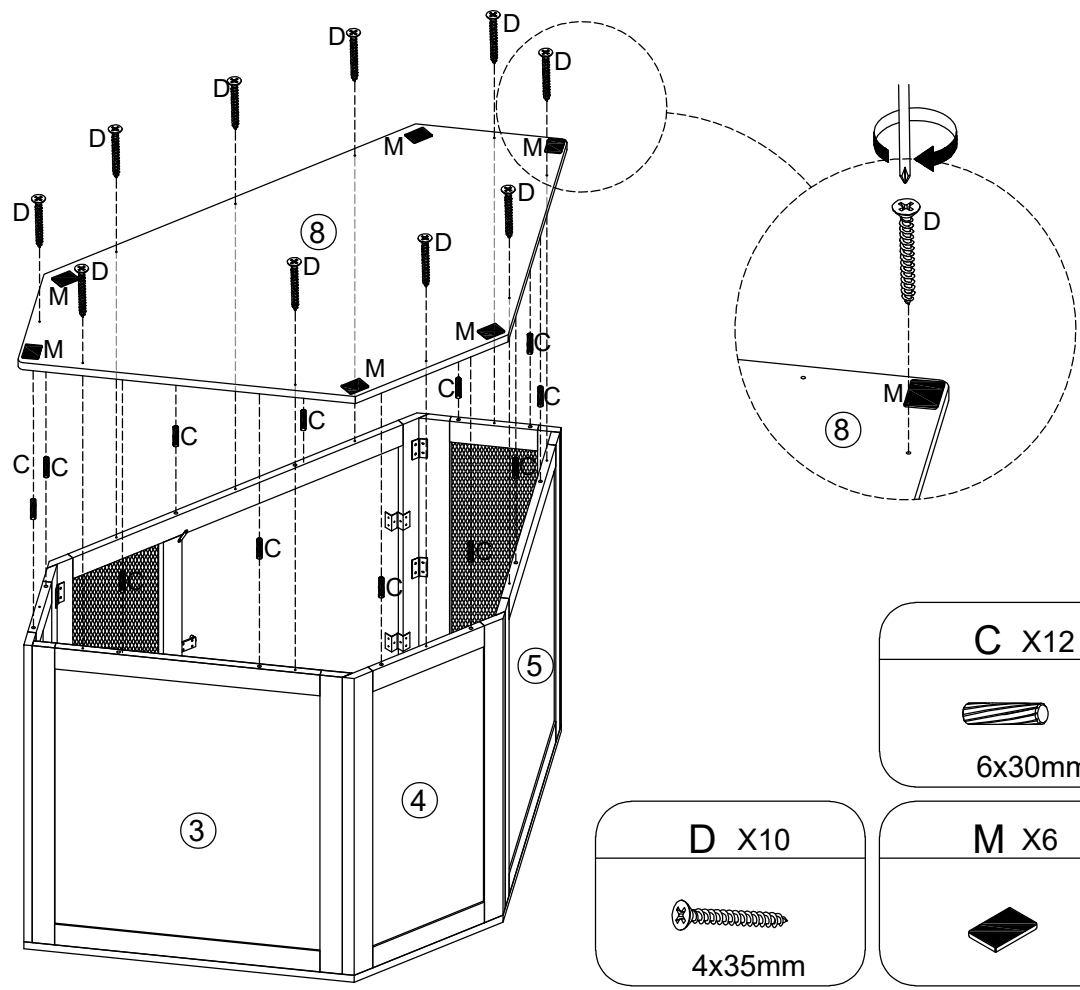
- G X3**
- 

15



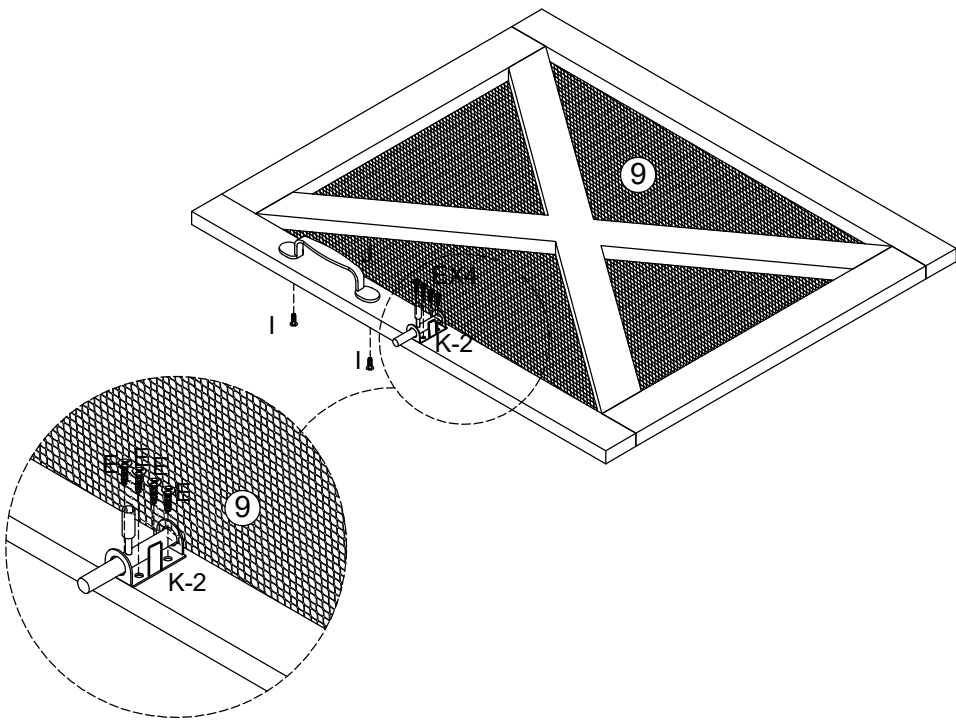
- E X12
3x12mm
- G X3



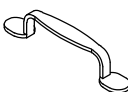
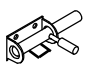
16



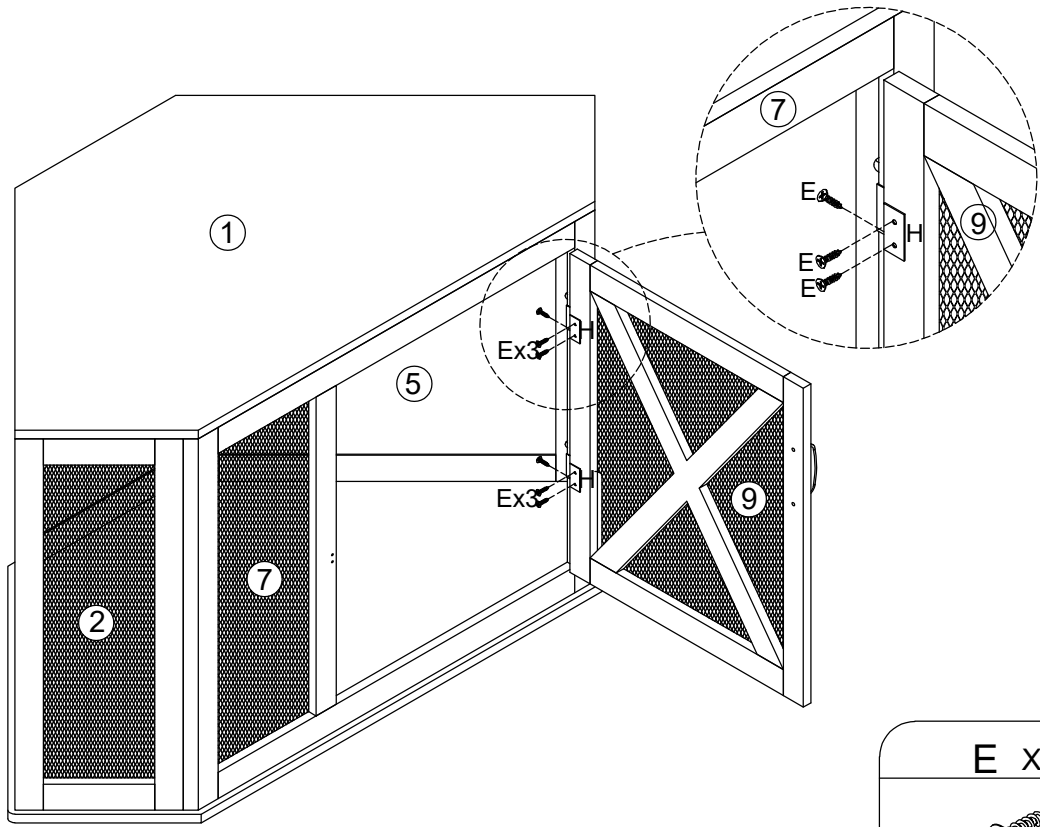
- C X12
6x30mm
- D X10
4x35mm
- M X6


17



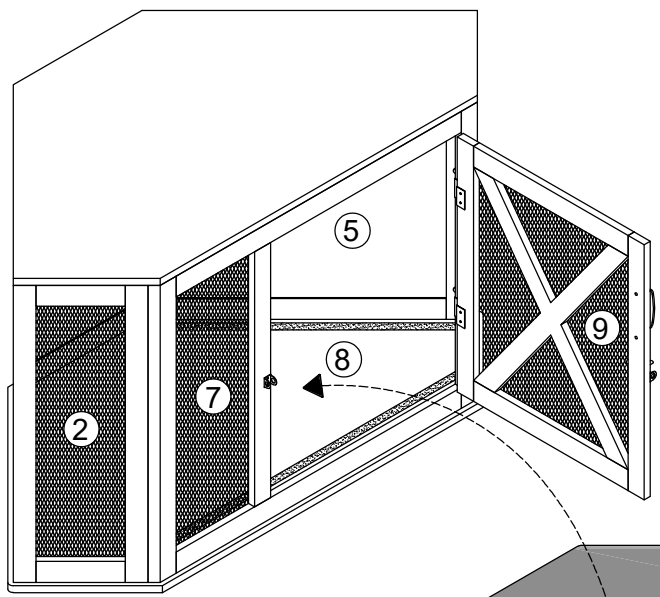
- E X4
- 
 3x12mm
- I X2
- 
- J X1
- 
- K X1
-  K-2

18

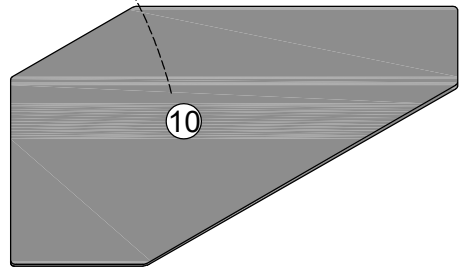


- E X6
- 
 3x12mm

19



Put the cloth mat in the cage



20

