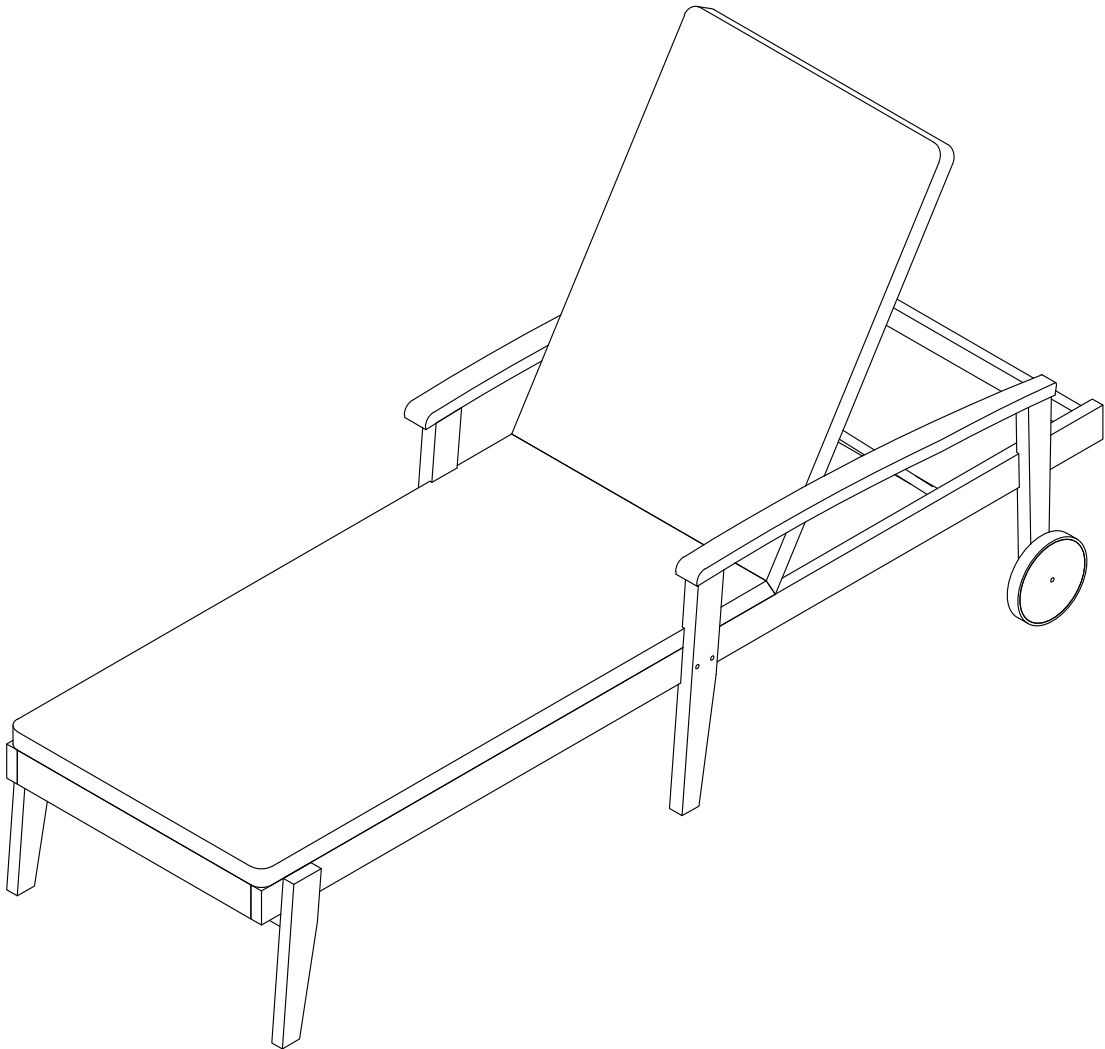


Assembly Instructions

LOUNGER

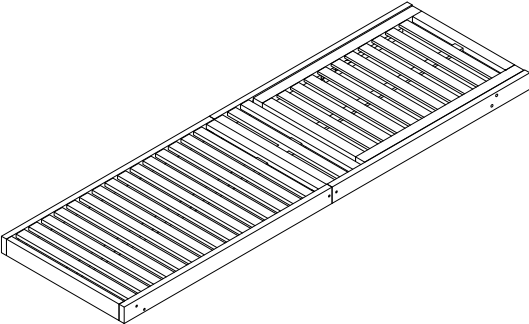
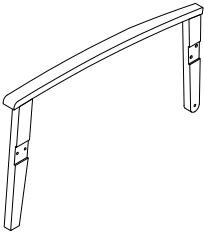
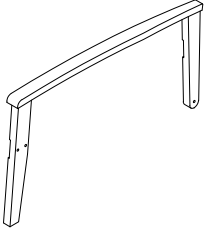
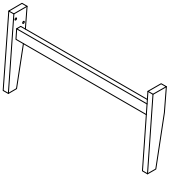

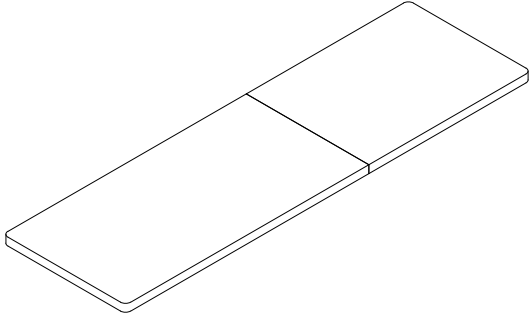
CAUTION: You must read this before you proceed

Please look in the Leg for hardware packs

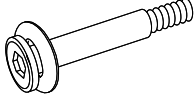



Caution: This Lounger is NOT a TOY.
Keep your child/children at bay during the assembly process.
Whenever lifting the Lounger and to prevent damage to the Lounger two adults are needed to execute this action.

Parts List

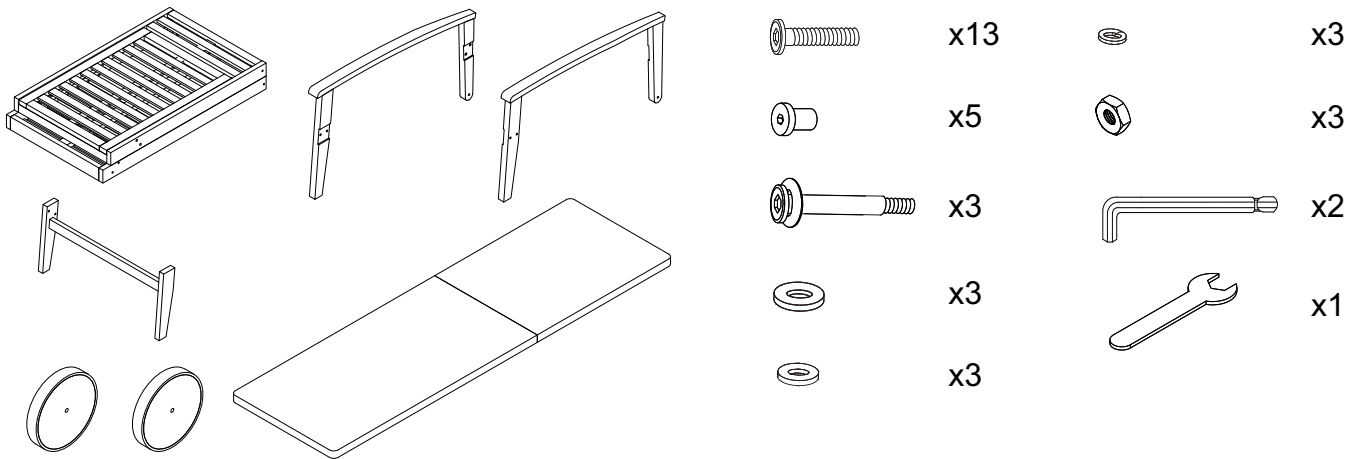
Label	Picture	Description	Qty
A	 A perspective drawing of a rectangular seat panel with a grid of slats. It has a foldable design with a hinge in the middle.	Foldable Seat Panel	1
B	 A perspective drawing of a curved leg panel with two vertical legs at the ends.	Left Leg Panel	1
C	 A perspective drawing of a curved leg panel, similar to B but mirrored.	Right Leg Panel	1
D	 A perspective drawing of a horizontal leg panel with two vertical legs at the ends.	Front Leg Panel	1
E	 A perspective drawing of a circular wheel with a central hub.	Wheel	2
F	 A perspective drawing of a rectangular cushion with a foldable design, showing a hinge in the middle.	Foldable Cushion	1

Hardware

No.	Picture	Description	Qty
①		Bolt (M6 x 40mm)	13
②		Sleeve Nut (M6 x 18mm)	5
③		Wheel Bolt (M8 x 80mm)	3
④		Washer (M8/30 x 5mm)	3
⑤		Washer (M8/20 x 2mm)	3
⑥		Spring Washer (M8/12 x 1,5mm)	3
⑦		Nut (M8/13 x 1,5mm)	3
⑧		Allen Wrench	2
⑨		Wrench	1

Assembly Preparation

Before Beginning Assembly:



Read instructions, cover to cover.



Have 2 adults on hand for assembly.



Do not assemble on flooring or carpet.



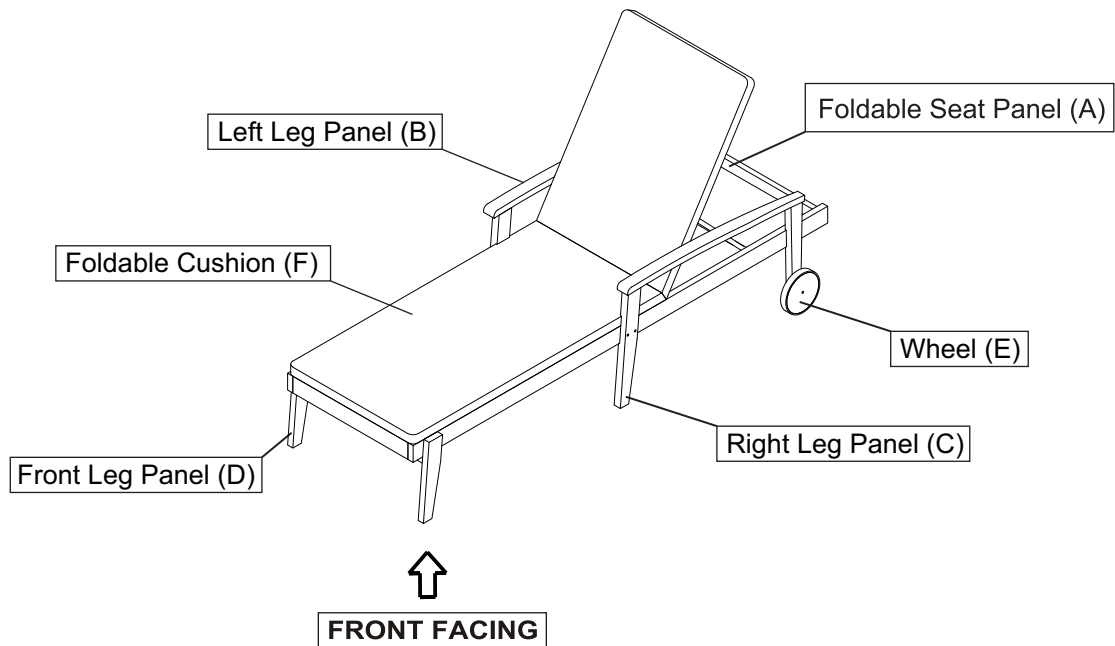
Assemble on a clean non-marring surface (packing foam).



Save all packaging until finished.

Assembly Steps

OVERVIEW

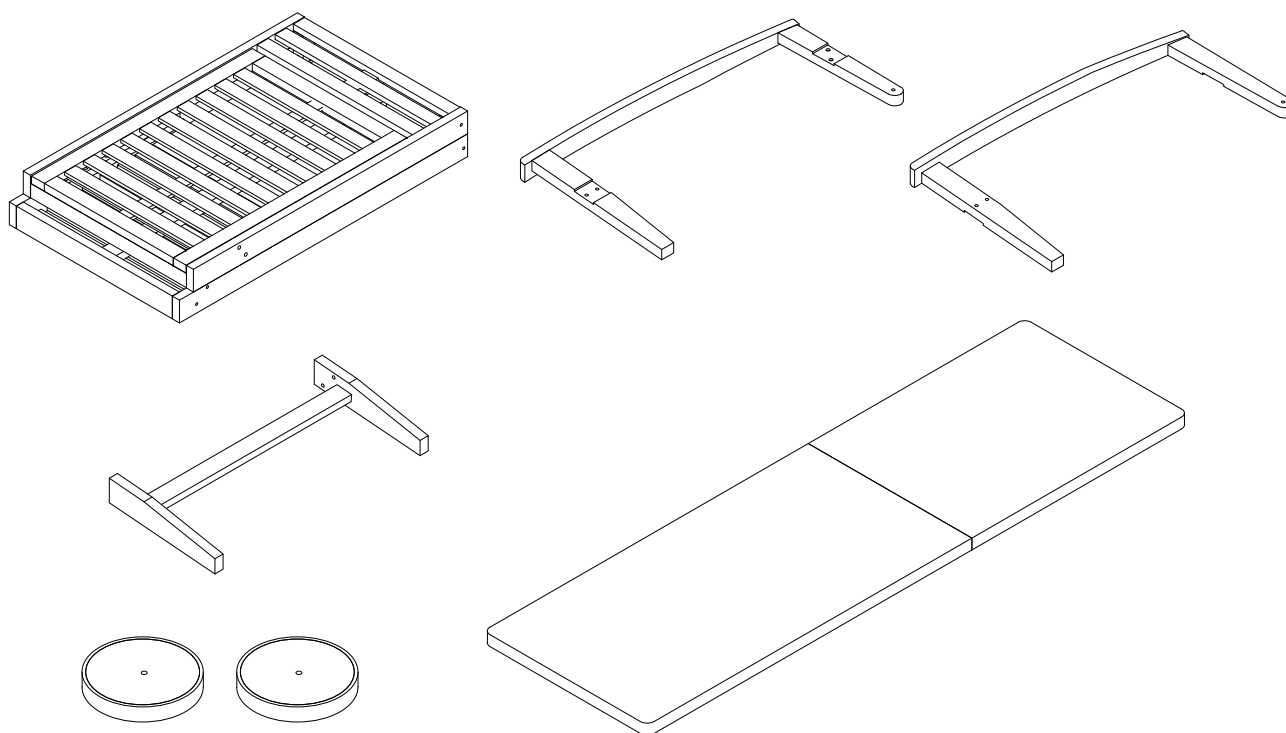


This Lounger has multiple parts and may require up to 30 minutes to assemble. To give you an overview of the Lounger parts, the above picture is to help you put the various parts into perspective. Please read through the instructions below to familiarise yourself with the parts and steps before assembly.

Assembly Preparation

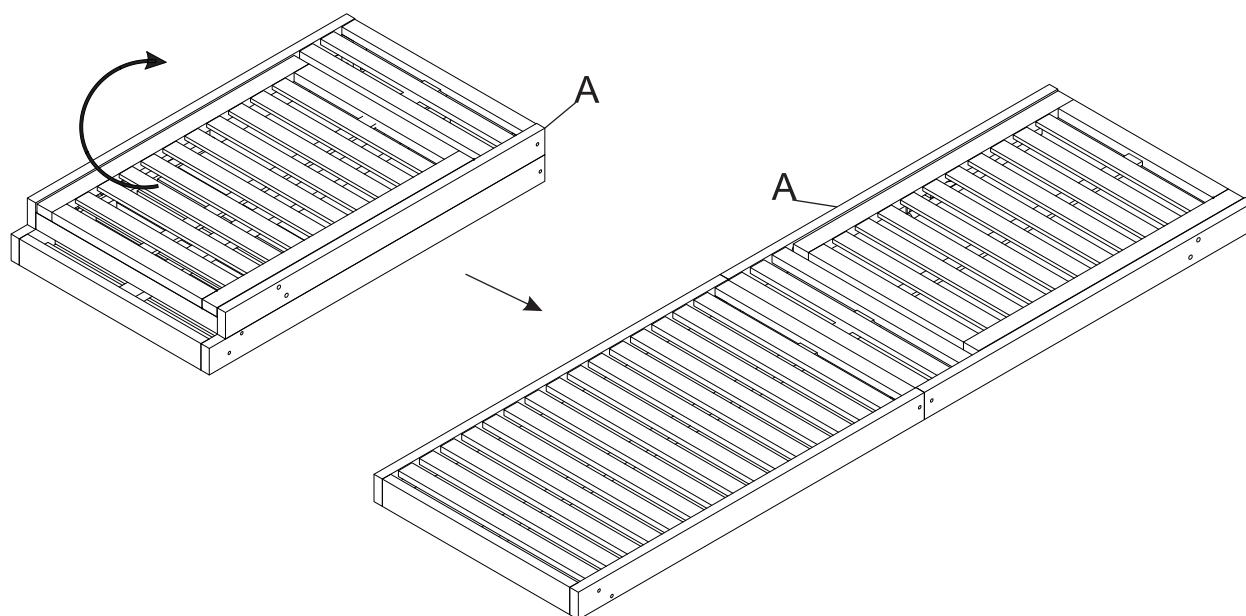
Before Beginning Assembly

Step 1



Unpack and place all parts on clean, non-marring surface.

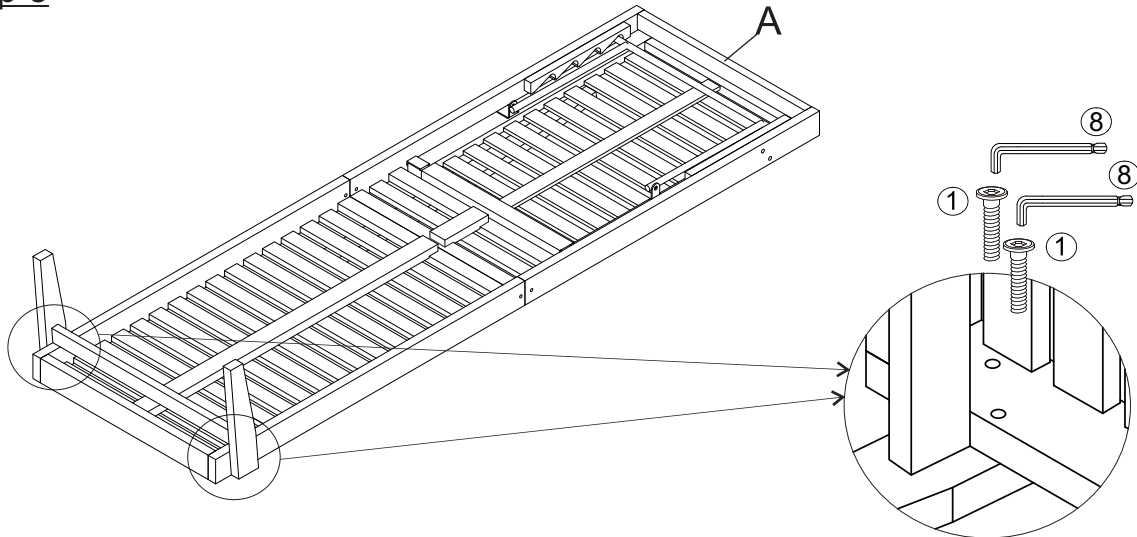
Step 2



Unfold the Foldable Seat Panel(A) as indicated by the arrows.
Caution: Be careful when opening the Foldable Seat Panel(A) to avoid fingers getting trapped or pinched.

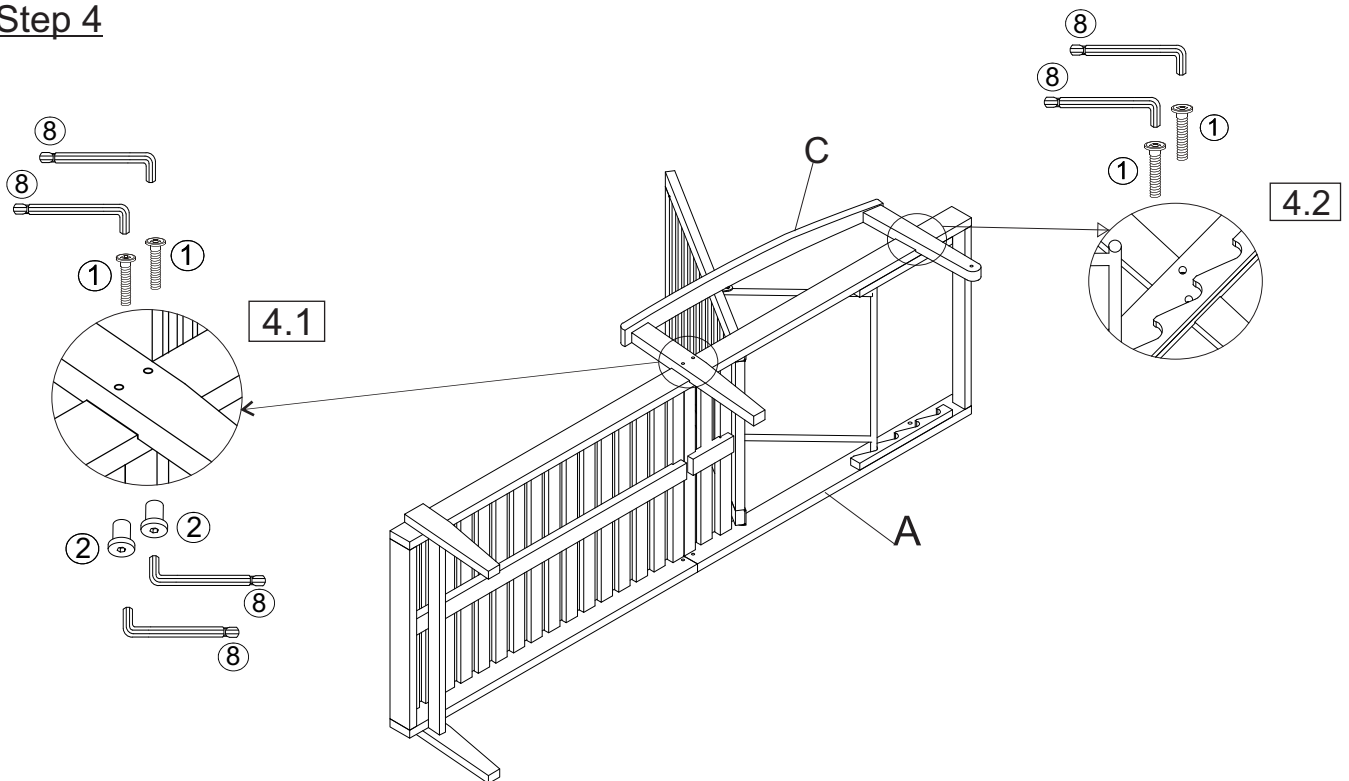
Assembly Steps

Step 3



With the help of your adult partner, flip the assemble in step 2.
Then attach Front Leg Panel (D) to Foldable Seat Panel (A) using Bolts (①) with
Allen Wrench (⑧) as shown above.
Do not fully tighten the Bolts.

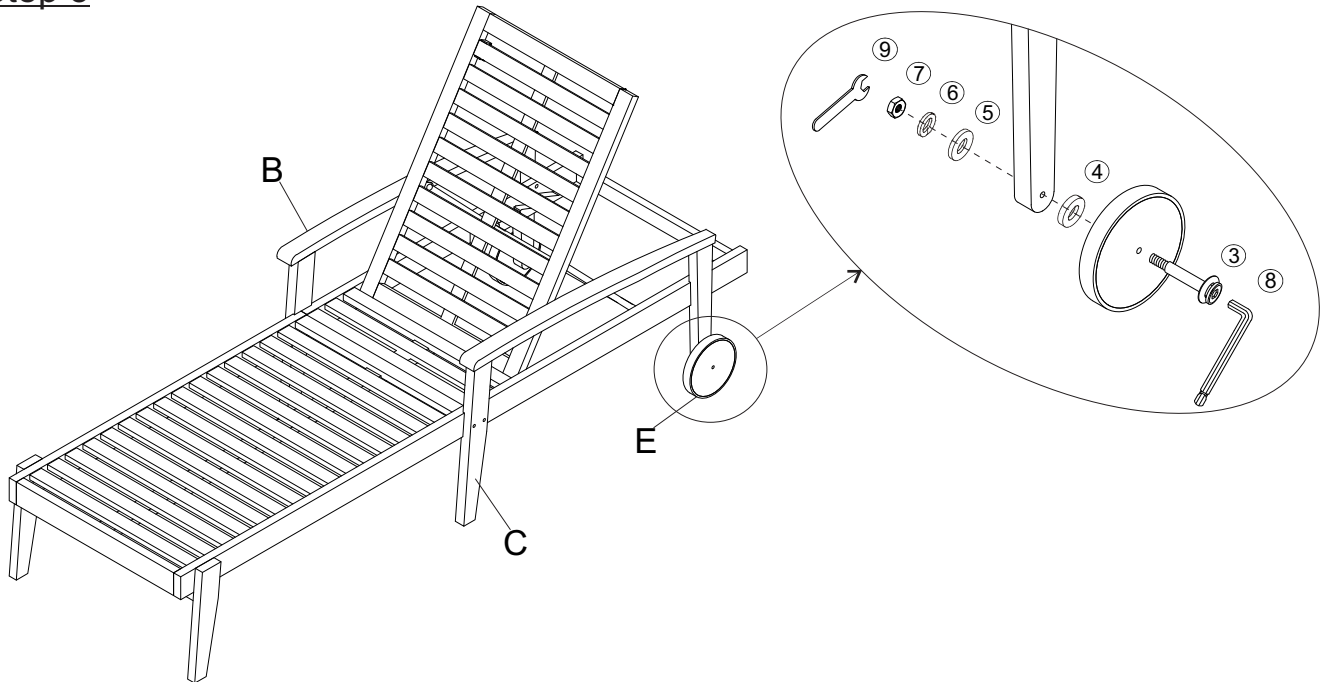
Step 4



4.1) With the help of adult partner, attach the Left Leg Panel (C) to Foldable Seat Panel (A) using Bolts (①) and Sleeve Nuts (②) with Allen Wrench (⑧).
4.2) With the help of adult partner, attach the Left Leg Panel (C) to Foldable Seat Panel (A) using Bolts (①) with Allen Wrench (⑧) as shown in the picture.
Flip the above frame and repeat the same process with Left Leg Panel (B).
Do not fully tighten the Bolts.

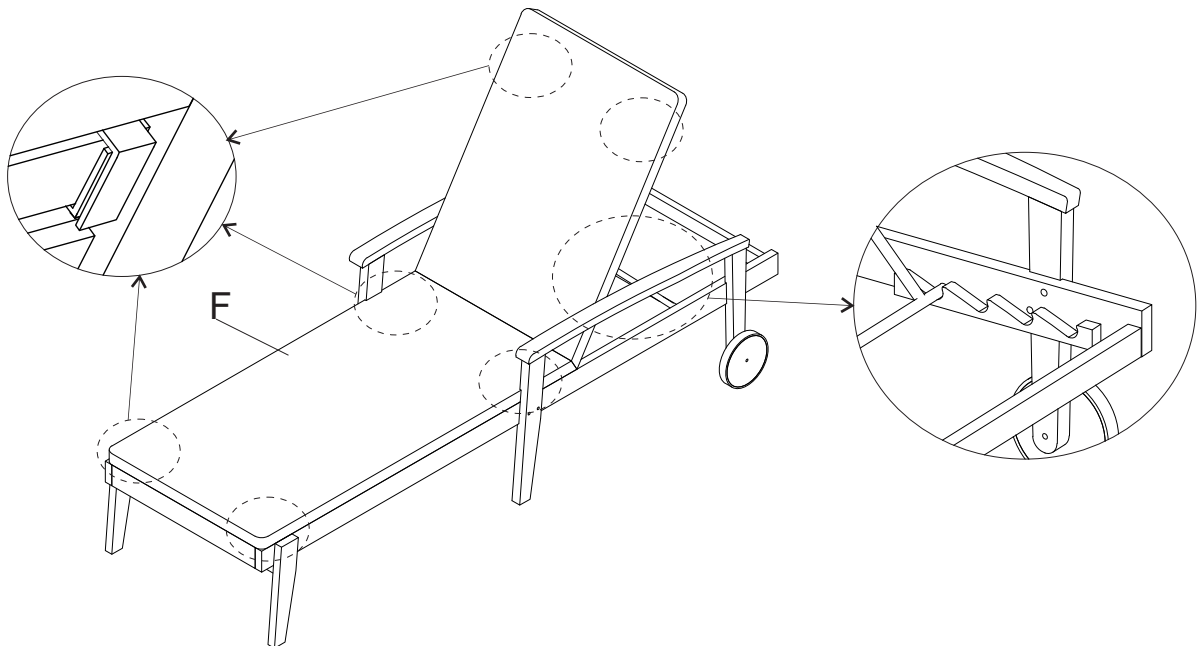
Assembly Steps

Step 5



With the help of your adult partner, attach Wheels (E) to Right Leg Panel (C) using Wheel Bolt (③), Washers (④), Washers (⑤), Spring Washers (⑥) and Nuts (⑦) with Allen Wrench (⑧) and Wrench (⑨) in the sequence as shown above. Repeat the same process with remaining Wheel (E) and the Left Leg Panel (B). **Do not fully tighten the Bolts.**

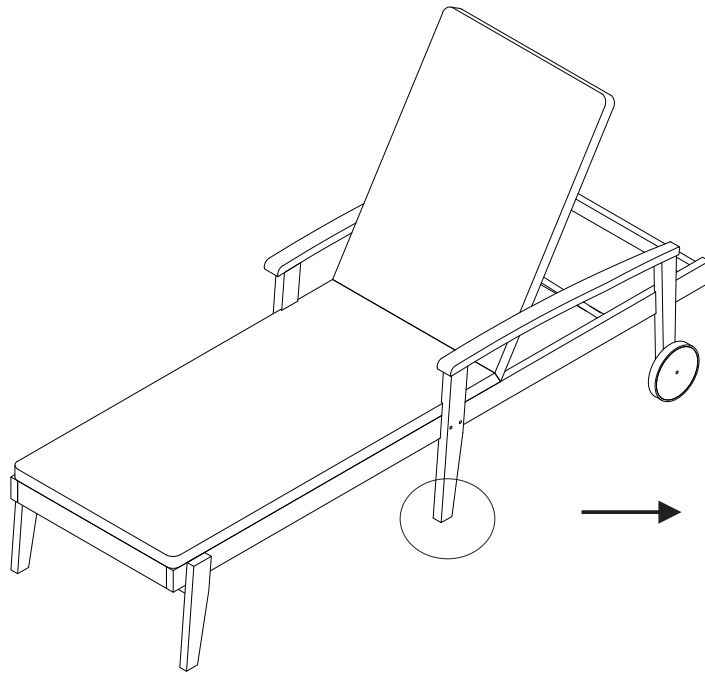
Step 6



Place the Foldable Seat Cushion (F) onto the Lounge and affix the magic tape straps around the Lounger as shown above.

Note: Align the Backrest of Lounge in the position you want as shown above.

Step 7



Adjust height for balance

Adjust low for balance

Adjust Pre-installed Levellers
height for balance

Expert pressure floorwards, onto the Lounge with both your hands.

This pressure will help the Legs and Lounge reach full alignment status.

Check for wobbles on a LEVEL surface.

If no wobbles are found proceed to tighten Bolts in a sequential manner, until evenly secured. When tightening Bolts tighten sequentially.










Do not tighten any Bolt fully and then move on towards the next one.

If there are still wobbles, loosen Bolts and execute the same above process.

Your Lounger is ready for use.

This Lounger can only be used on a flat, level surface.

Care & Maintenance

-  Do not put hot items directly on furniture surface.
-  Do not clean furniture with harsh cleansers or polish.
-  To obtain the longest lifespan of your outdoor products, minimizing exposure to direct sunlight is recommended.
-  Children should not climb or jump on the furniture.
-  Do not write on furniture without a padded barrier to protect the surface.
-  To obtain the longest lifespan of your outdoor products, avoid extended and lengthy exposure to rain, snow, and direct sunshine. Whenever possible cover the product and /or place under patio or awnings.
-  Not for commercial use. For residential use only
-  Stains may be removed with mild soap solution and damp cloth.
-  Dust and pick-up spills using a clean, non-colored, lint-free cloth.