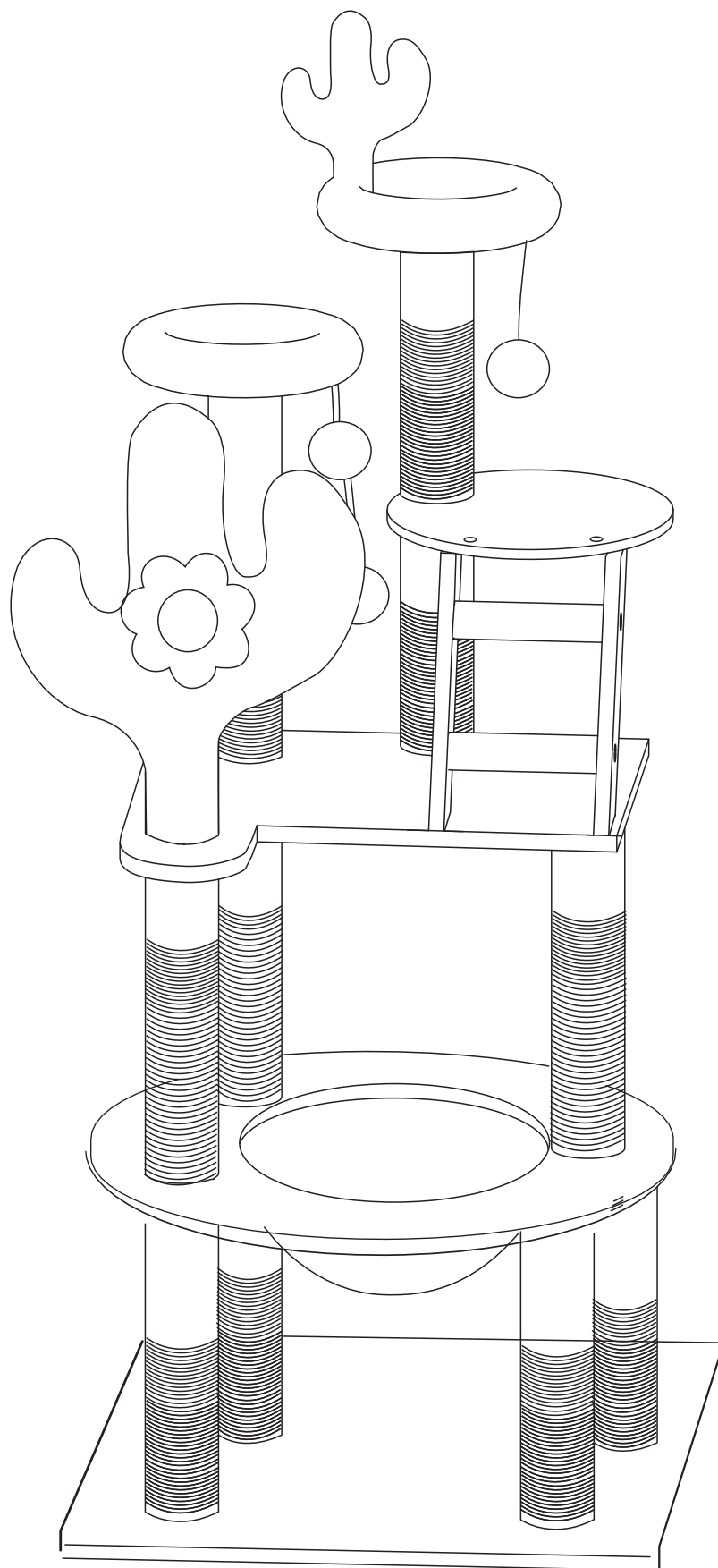


Cat Tree User Manual



User's Manual

Model No.HFMS-168

Product Information

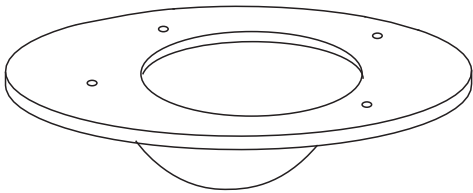
Product Name: Multi-Layer Cat Tree

Model No.: HFMS-168

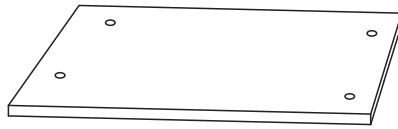
Main Material: High-Density Particleboard, Natural Sisal Rope, Non-Toxic Plush Fabric

Product Overview

This cat tree is specially designed for European and American markets, adopting high-density particleboard as the main structure, which is sturdy, durable and has good load-bearing performance. The product is equipped with sisal scratching posts and soft plush platforms, providing a comfortable resting and playing space for cats. It can satisfy cats' natural behaviors such as climbing, scratching, and perching, while protecting your furniture from scratches. All materials are non-toxic and environmentally friendly, meeting international safety standards for pet products.



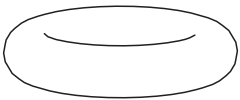
A x1



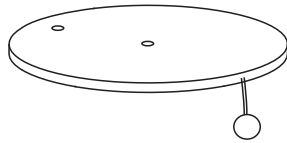
B x1



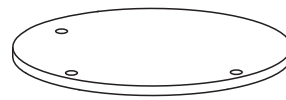
C x1



D x2



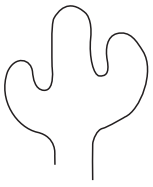
E x1



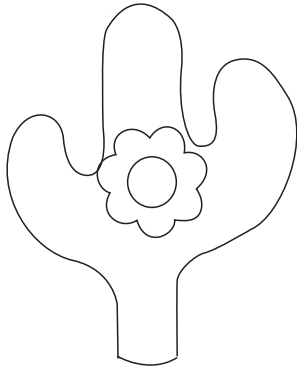
F x1



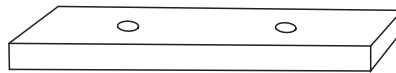
G x1



O x1



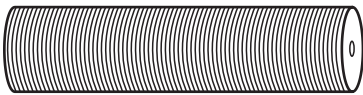
H x1



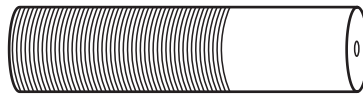
I x2



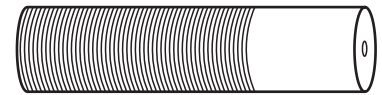
J x2



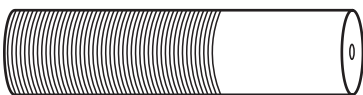
K x1



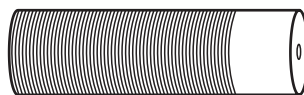
L x2



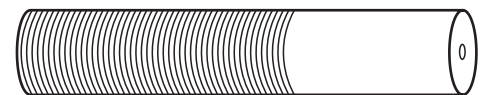
M x3



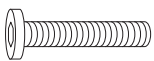
N x1



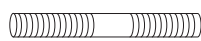
O x1



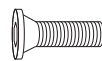
P x1



1 x13



2 x5



3 x8

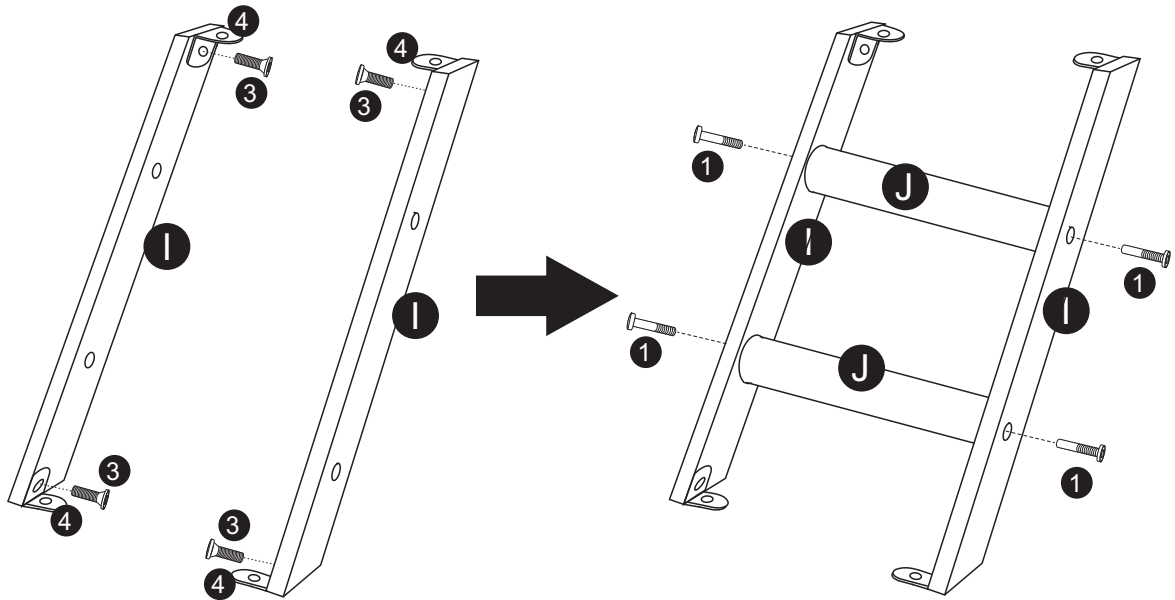


4 x4

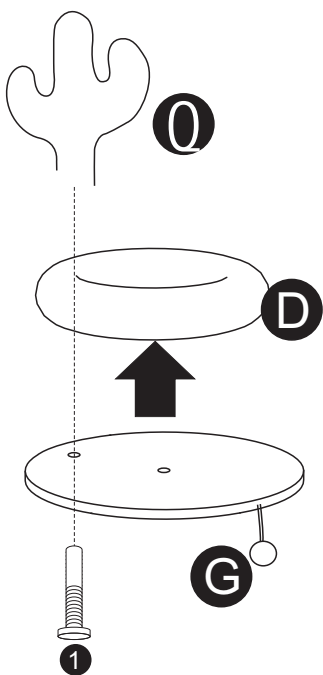


5 x1

Step.1



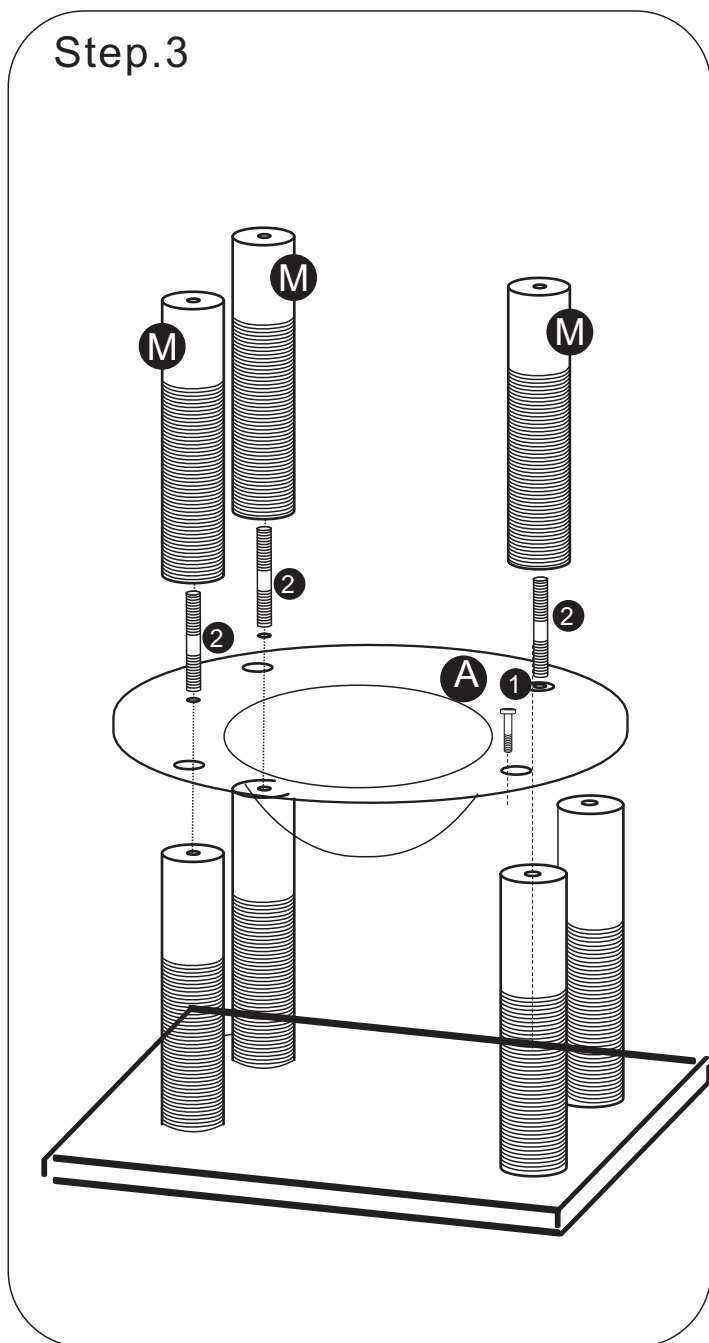
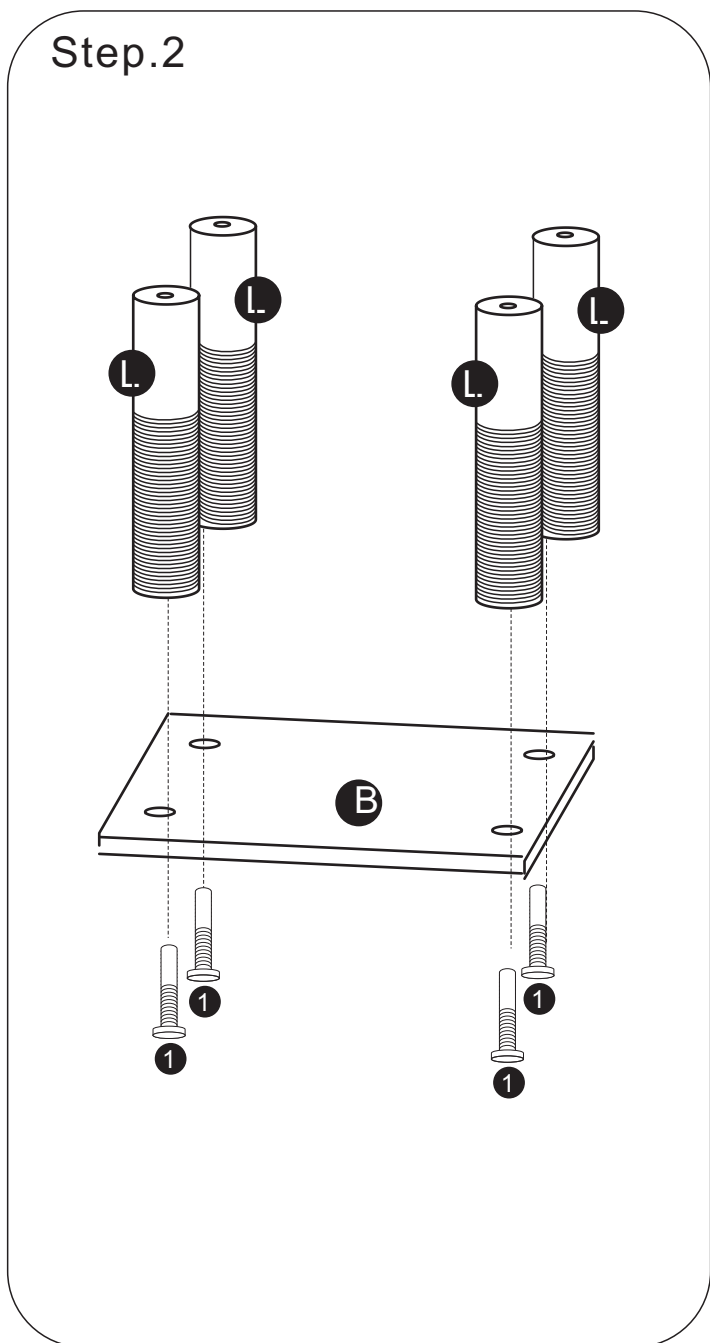
Step 1: Locate components (I) and (J). Use accessories (3) and (4) to assemble and tighten them as shown in the diagram, then set the assembled unit aside.



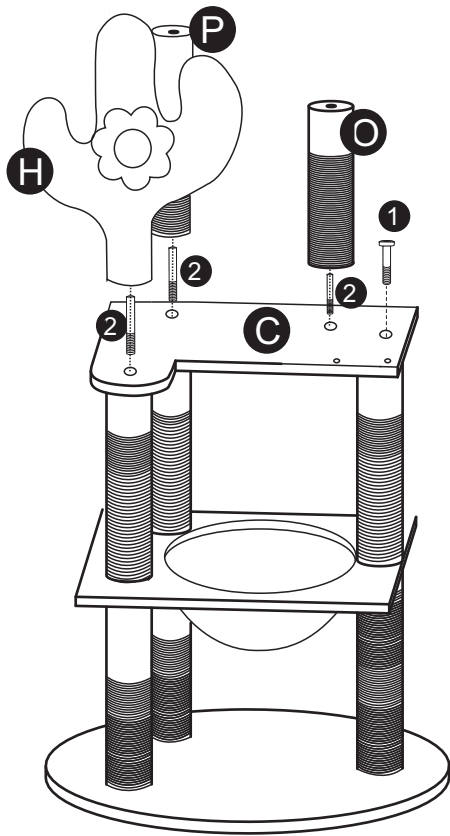
First, identify all the accessories as shown in the figure and assemble them in sequence.

Step 2: Locate the base plate (B), two support columns (L) and one support column (K). Use the No. 1 screws to sequentially assemble and tighten them from the bottom.

Step 3: Locate the space capsule board (A) and the three support columns (M). Use the No. 2 screws to tighten and secure them as shown in the diagram.

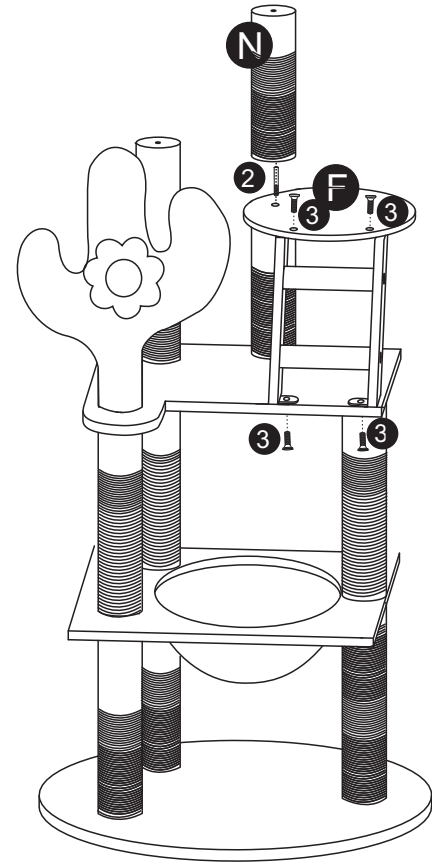


Step.4



Step 4: Locate the board (C), cactus (H), and support columns (P) & (O). Use the No. 2 screws to assemble, tighten, and secure them as shown in the diagram.

Step.5

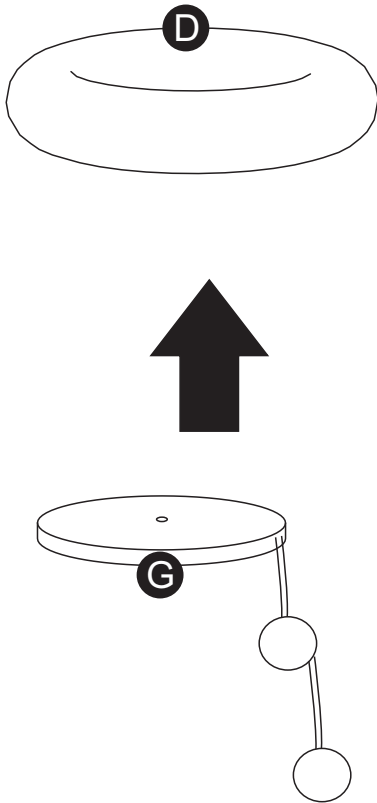


Step 5: Locate Column (N) and Board (F), and assemble them using No. 2 screws. Then take the ladder installed in Step 1, and fasten it securely with No. 3 screws as shown in the diagram.

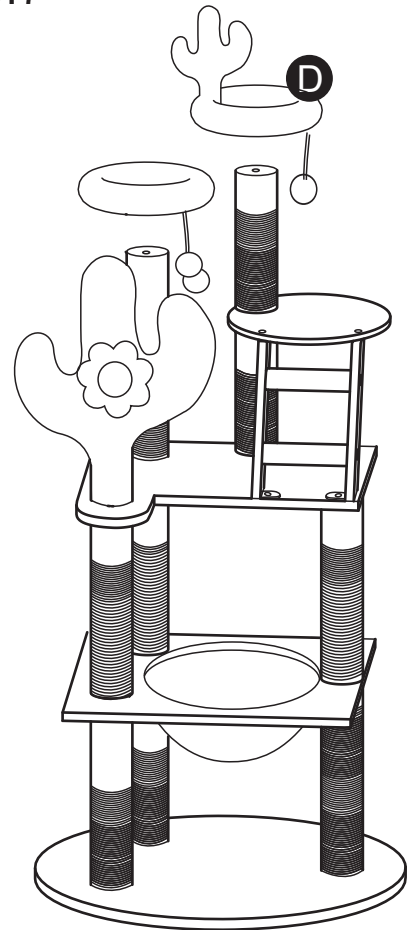
Step 6: Assemble the board (G) and the cloth cover (D)

Step 7: Retrieve the assembly from Step 6, align it with Board (D), and fasten them together using No. 1 screws as shown in the diagram.

Step.6



Step.7



Safety Warnings

WARNING: CHOKING HAZARD - Small parts. Keep away from children under 3 years old and pets that may swallow small components .

WARNING: Do not allow children to climb on this product. This product is intended for cats only, not for human use .

WARNING: To avoid the risk of tipping over, please place the cat tree on a flat and stable ground. Do not place it near windows, balconies or other high places without protective measures .

WARNING: Do not modify the product or replace the original hardware with non-original parts. Modification or replacement may cause product damage or safety hazards .

WARNING: Keep the plastic packaging bag away from babies, children and pets. This bag is not a toy. To avoid the danger of suffocation , discard the plastic packaging immediately after unpacking .