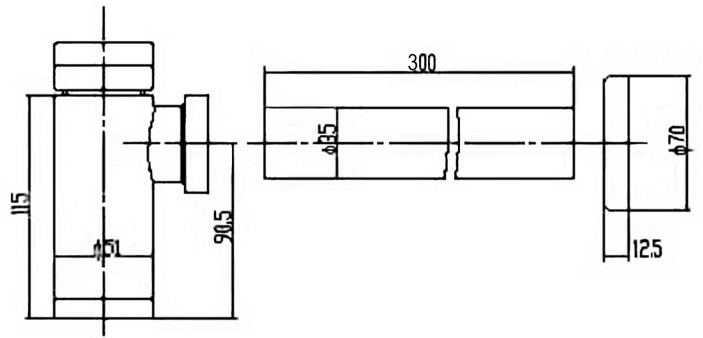


CUSTOMER DATA SHEET - WASTES & EXTRAS

SALES CODE: EK302

DESCRIPTION: Minimalist Bottle Trap



PRODUCT DIMENSIONS

Height (mm)	Width (mm)	Length (mm)	Depth (mm)	Nett Wgt Kg
115	70		51	0.71

PACKAGING DIMENSIONS

Height (mm)	Width (mm)	Depth (mm)	Gross Wgt Kg
335	135	55	0.82

PACKAGING DATA

Box Colour	White Cardboard Box		
Box Qty	1	Label Colour	White Label
Label Size	100 x 50	Label Qty	2

OUTER BOX DIMENSIONS (If Applicable)

Height (mm)	Width (mm)	Length (mm)	Depth (mm)	Gross Wgt Kg
Barcode	5055146121992			

PRODUCT DETAILS

Country of Origin	China	CE Certification	N/A
Fitting Instruction	Yes	Colour/Finish	Chrome
Product Material	Brass	Product Diameter	70mm
Heating Element Wattage	Not Applicable	Connection Size	1 1/4"