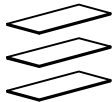



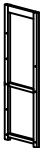











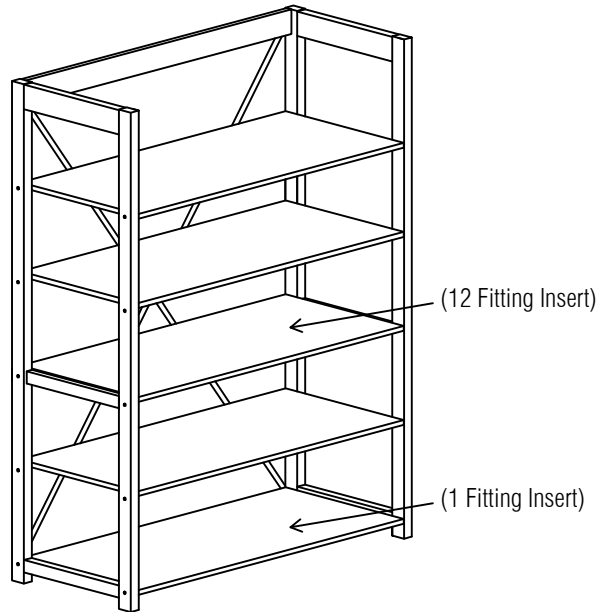
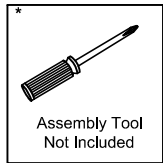
# ASSEMBLY INSTRUCTION

## DESCRIPTION : BOOKCASE

Thank you for purchasing this quality product. Be sure to check all packing material carefully for small parts which may have come loose inside the carton during shipment. Identify and count all parts and compare with the parts list below:

Component List			
NO.	Descriptions		Qty.
1	Panel		3
2	Bottom Panel (1 Fitting Insert)		1
3	Center Panel (12 Fitting Insert)		1
4	Side Frame Left		1
5	Side Frame Right		1
6	Top Back Support		1
7	Bottom Back Support		1

8			
Assembly Hardware Pack			
NO.	Descriptions		Qty.
A	JCBC Bolt M6 x 45mm		20
B	M4 Allen Key		1
C	Screw 8 X 5/8 P/H Rattan		12
D	Fitting-System 5 (05656 + KT-9608)		5
E	Wood Dowel M8 x 30mm		4
F	Metal Plate		2
G	Leveler		4



### ASSEMBLY TIPS:

1. Remove hardware from box and sort by size.
2. Please check to see that all hardware and parts are present prior start of assembly.
3. Please follow attached instructions in the same sequence as numbered to assure fast and easy assembly.

### WARNING!

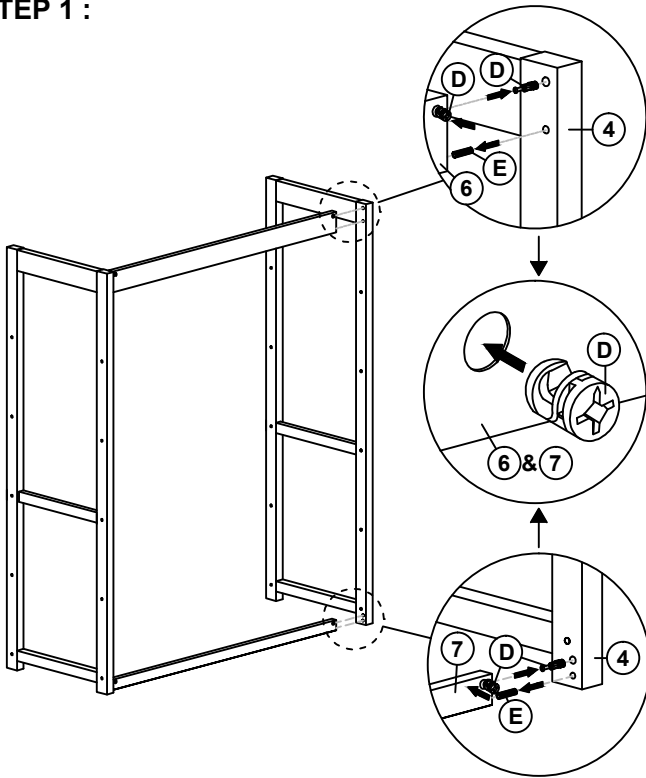
1. Don't attempt to repair or modify parts that are broken or defective. Please contact the store immediately.
2. This product is for home use only and not intended for commercial establishments.

# ASSEMBLY INSTRUCTION

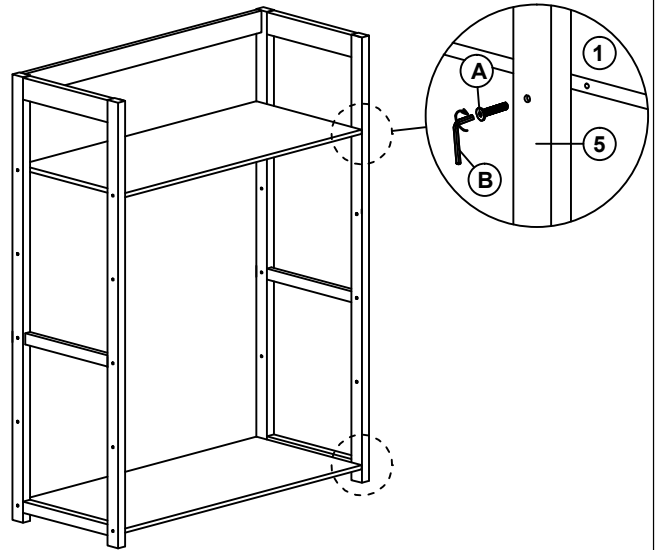
DESCRIPTION : BOOKCASE

Thank you for purchasing this quality product. Be sure to check all packing material carefully for small parts which may have come loose inside the carton during shipment. Identify and count all parts and compare with the parts list below:

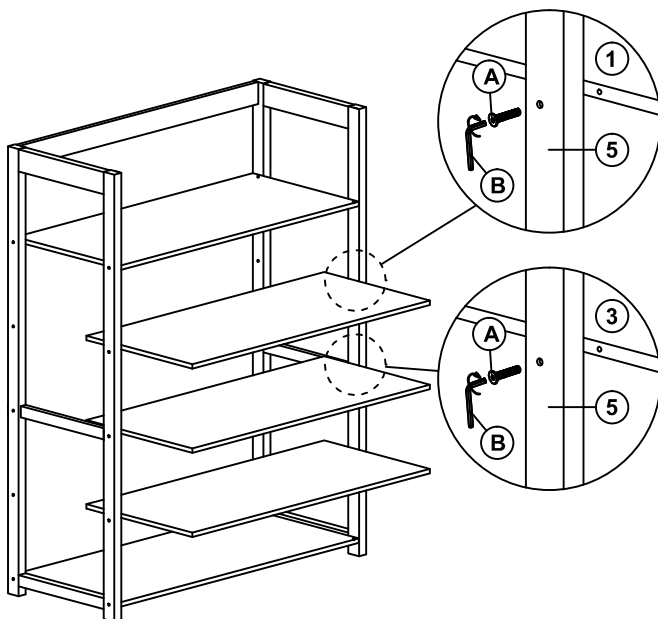
## STEP 1 :



## STEP 2 :



## STEP 3 :



## STEP 4 :

