

# THANK YOU FOR YOUR PURCHASE

## VERSION:J1

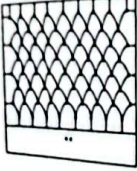


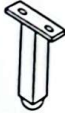
### ASSEMBLY INSTRUCTION

### FULL/QUEEN

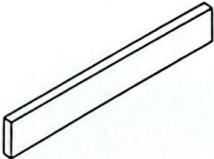

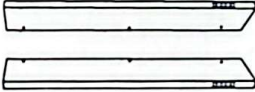
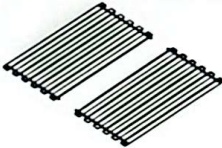
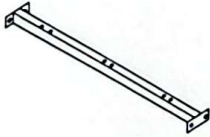
IMPORTANT:PLACE ALL PARTS ON A CLEAN AND SMOOTH SURFACE SUCH  
AS A RUG OR CARPET TO AVOID THE PARTS FROM BEING  
SCRATCHED  
KINDLY FOLLOW THE ASSEMBLY INSTRUCTIONS STEP  
DO NOT TIGHTEN ALL SCREWS UNTIL THE BED IS FULLY SET-UP  
THE FOOTBOARD, SIDE RAILS, SUPPORT RAIL AND CROSSBAND  
ARE INCLUDED **BOX 2**









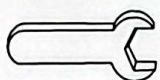


# PARTS LIST(BOX 1):

<p>① Headboard=1 pc</p> 	<p>⑤ Plastic Pad=2 pcs</p> 	<p>⑥ FB Feet=2 pcs</p> 	<p>⑨ Support Leg=3 pcs</p> 
---	--	---	--

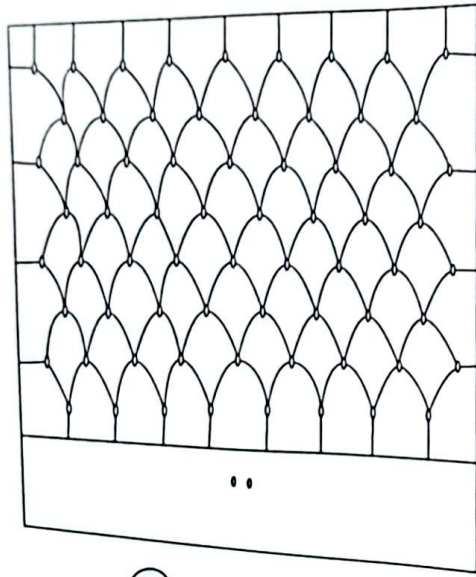
# PARTS LIST(BOX 2):

<p>② Footboard=1 pc</p> 	<p>③ Side Rail=2 pcs</p> 	<p>④ Wingback=2 pcs</p> 	<p>⑦ Slat=2 sets (Full/10pcs) (Queen/12pcs)</p> 
<p>⑧ Support Rail=1 pcs</p> 			

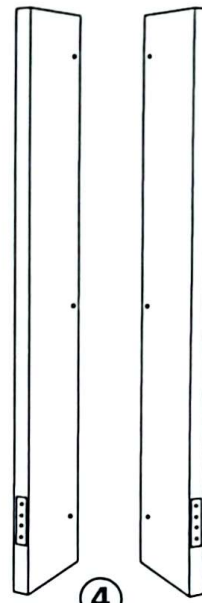
# HARDWARE LIST:

<p>Ⓐ Bolt=4 pcs (M6x25mm)</p> 	<p>Ⓑ Bolt=6 pcs (M6x35mm)</p> 	<p>Ⓒ Bolt=4 pcs (M8x25mm)</p> 	<p>Ⓓ Bolt=6 pcs (M8x50mm)</p> 
<p>Ⓔ Screw=8 pcs (4X35mm)</p> 	<p>Ⓕ Nut=6 pcs (M6)</p> 	<p>Ⓖ Wrench=1 pc</p> 	<p>Ⓖ Flat Washer=6 pcs (M8x22mm)</p> 
<p>Ⓖ Allen Key=1 pc (M6)</p> 			

# STEP 1

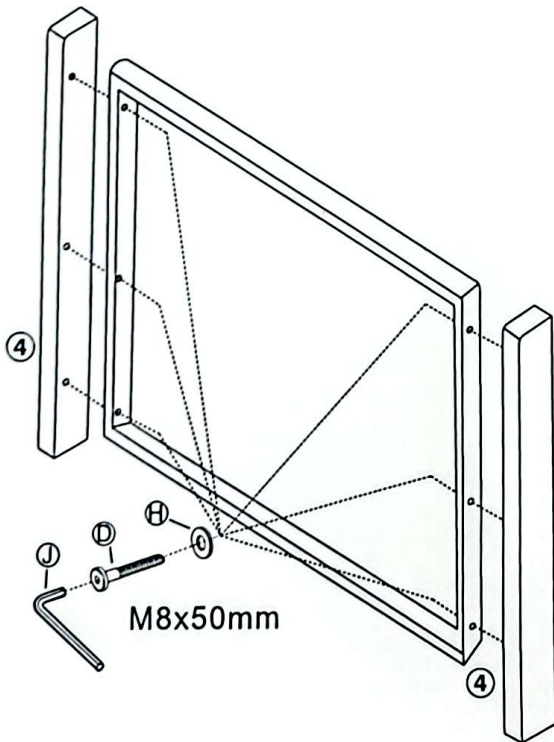


1

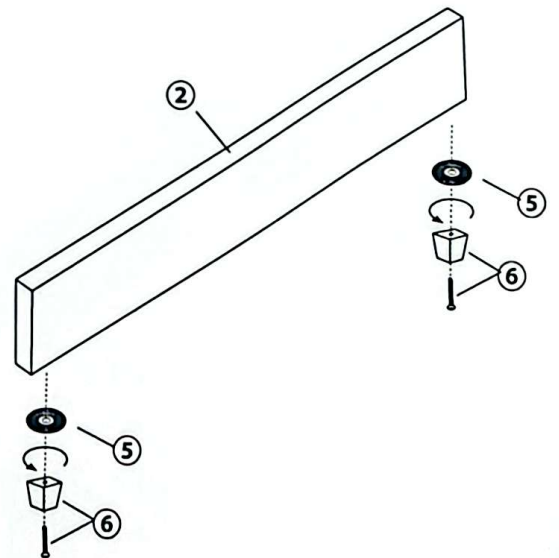


4

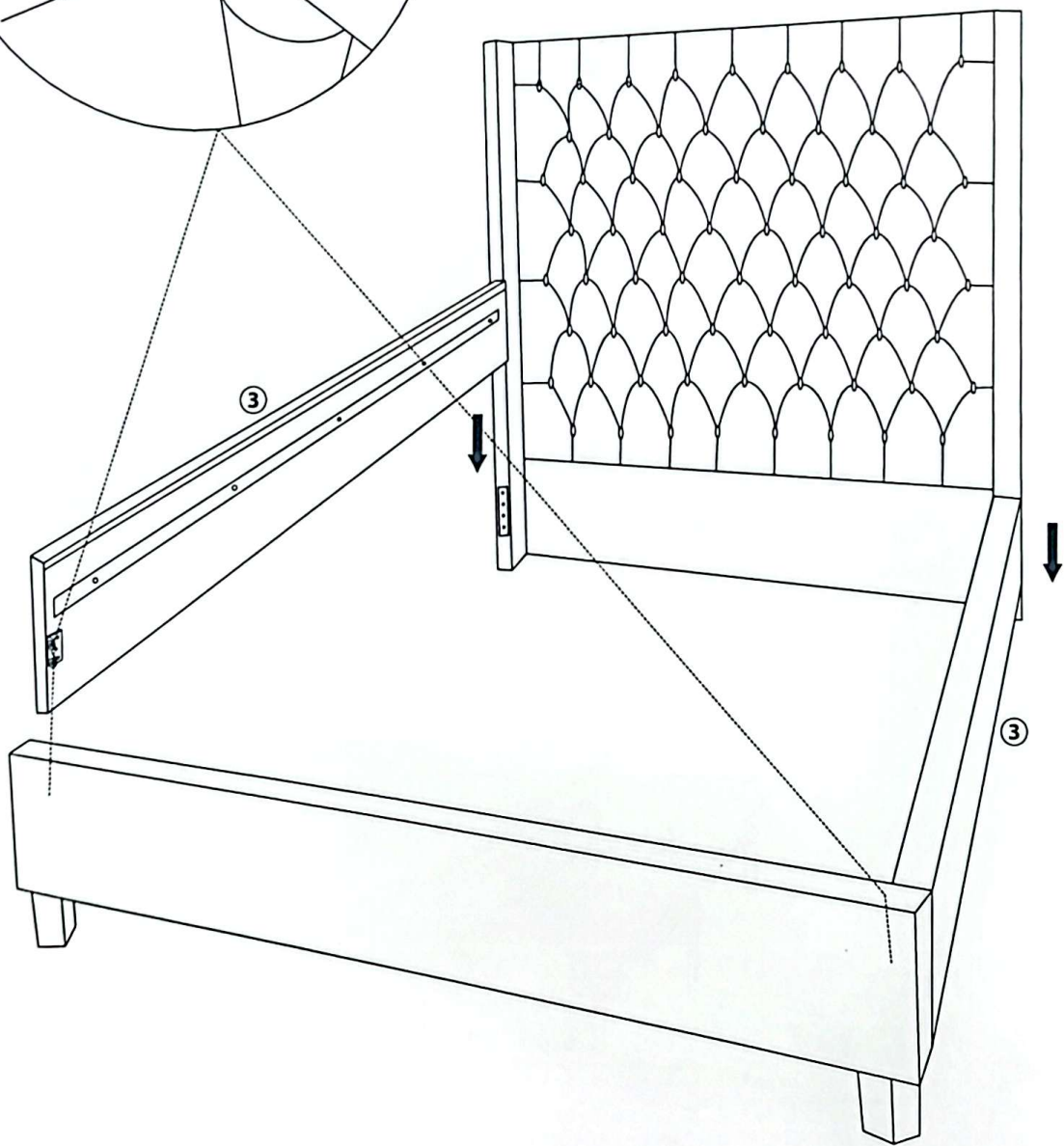
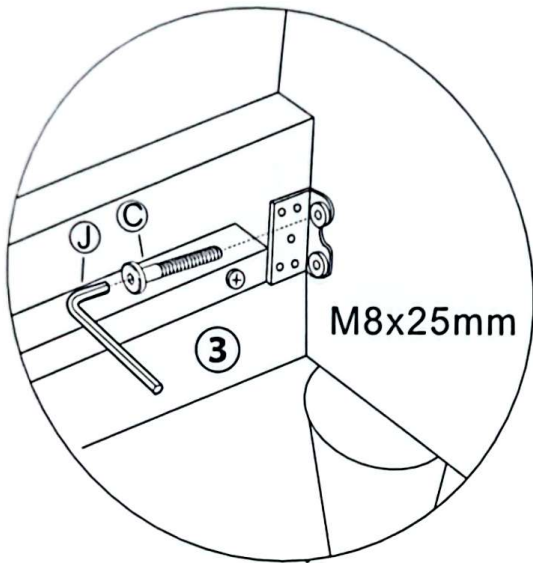
# STEP 2



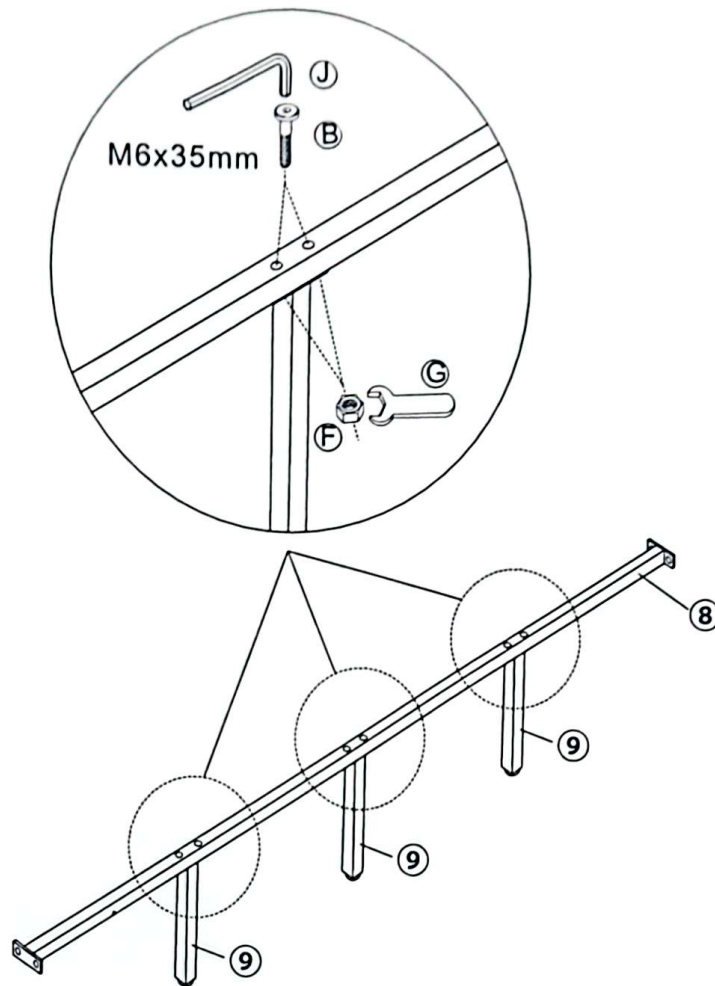
# STEP 3



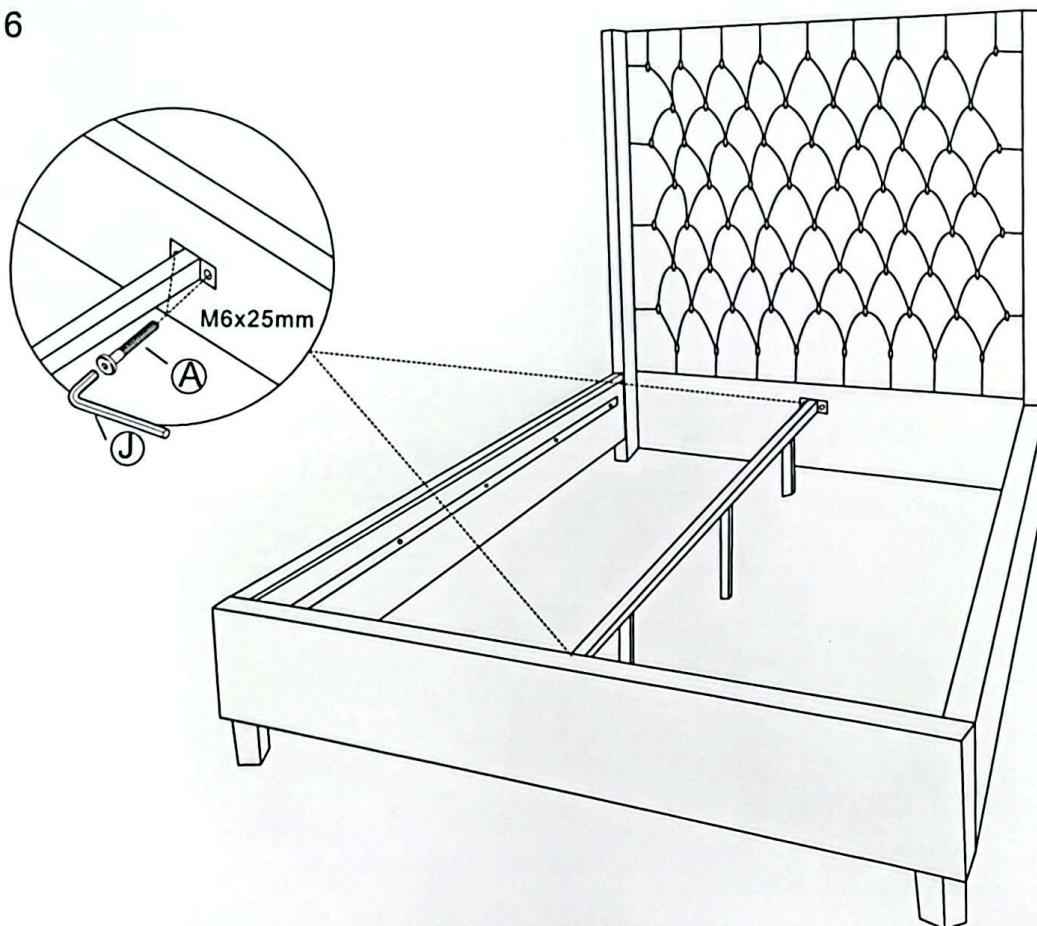
STEP 4



STEP 5



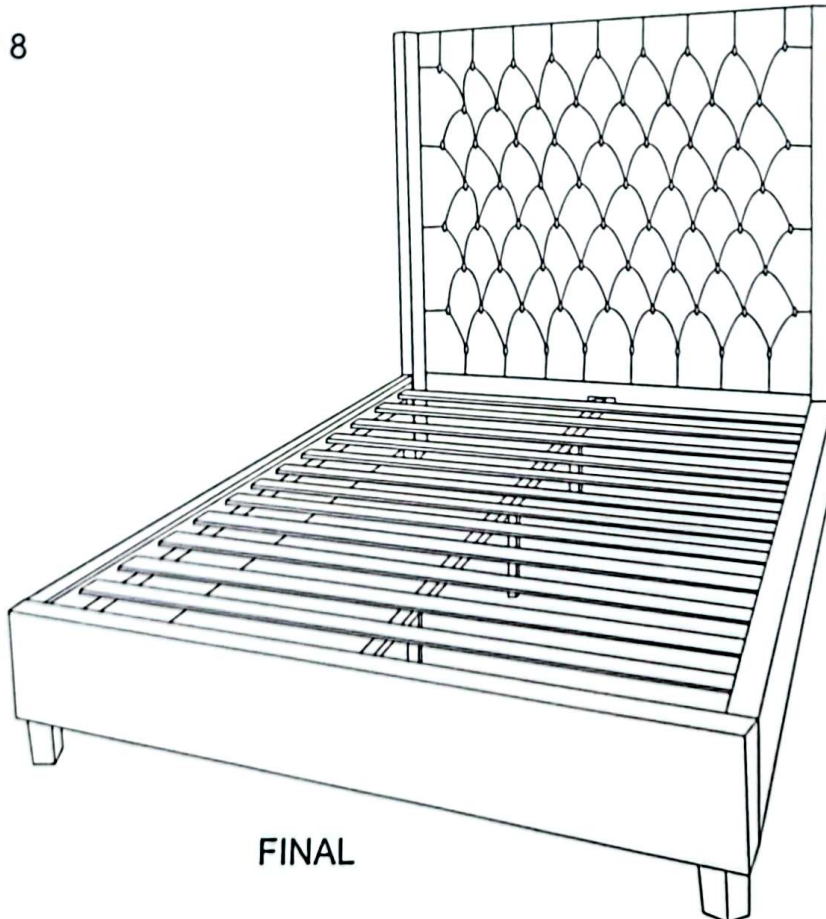
STEP 6



STEP 7



STEP 8



FINAL