
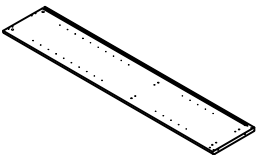
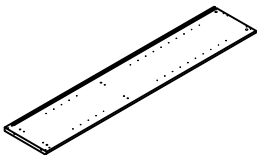
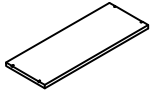
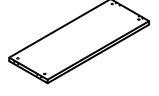
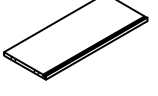
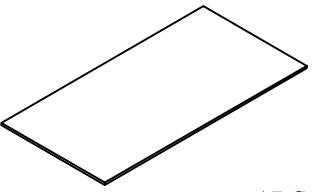

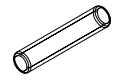
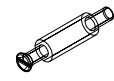
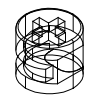

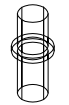

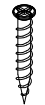
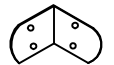
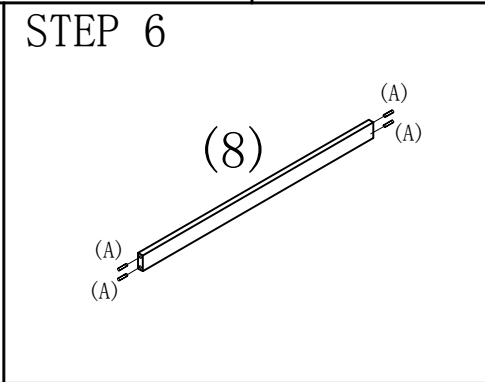
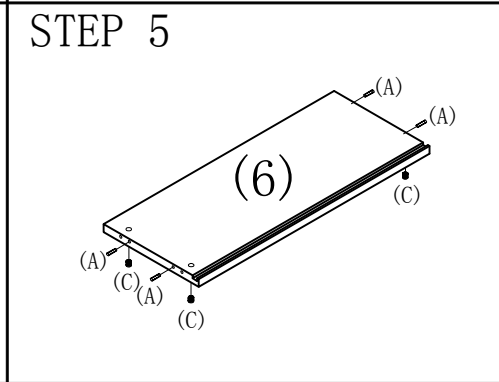
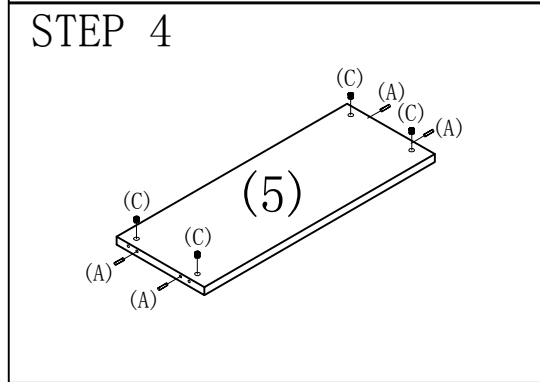
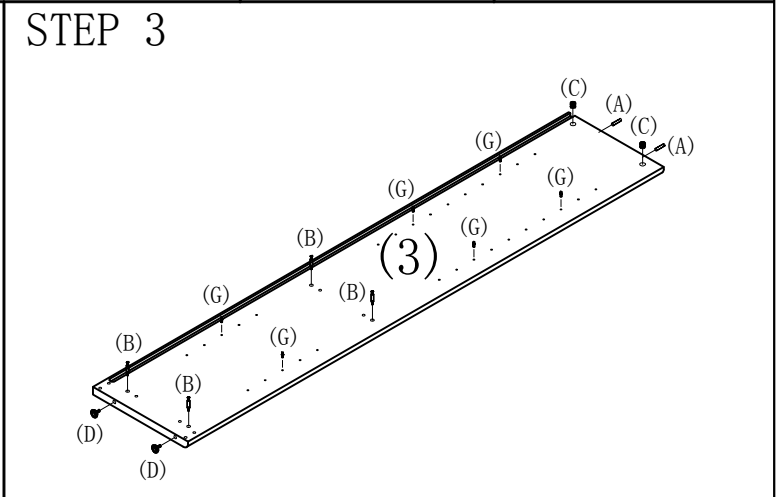
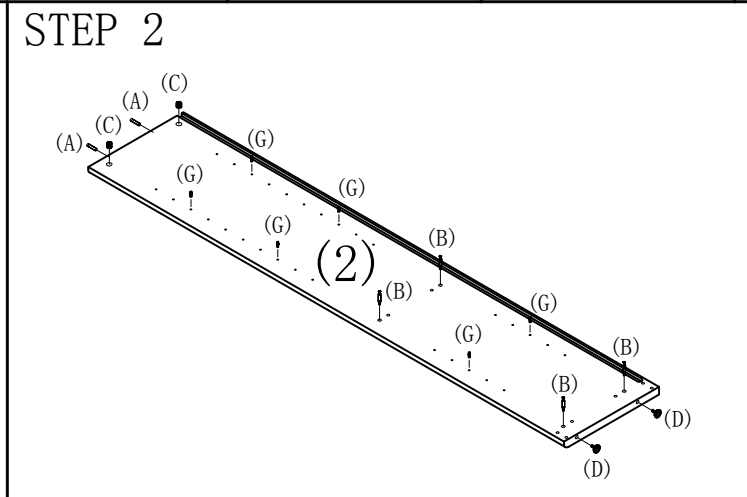
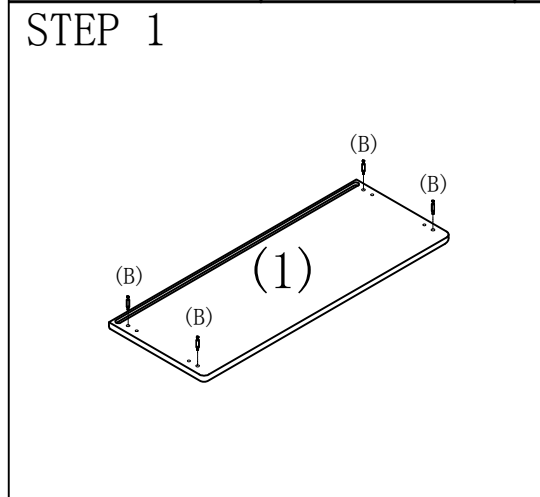



(1) Top  1PC	(2) End Panel  1PC	(3) End Panel  1PC	(4) Shelf  3PCS	(5) Fixed Shelf  1PC	(6) Fixed Bottom  1PC	(7) Back Panel  1PC	(8) Bottom Rail  2PCS
---	---	---	---	---	--	--	--

(A) Dowel  20PCS+1	(B) Cam Pin  12PCS+1	(C) Cam Lock  12PCS+1	(D) Leg Leveller  4PCS	(G) Shelf Pin  12PCS+1	(p) Dhesive Cam Cover  12PCS+1	(E4) Wood Screw  16PCS+2	(S1) Corner Bracket  4PCS
---	---	--	---	---	---	---	--



Bookcase 70''H
SON-56
 36''W × 14''D × 70''H

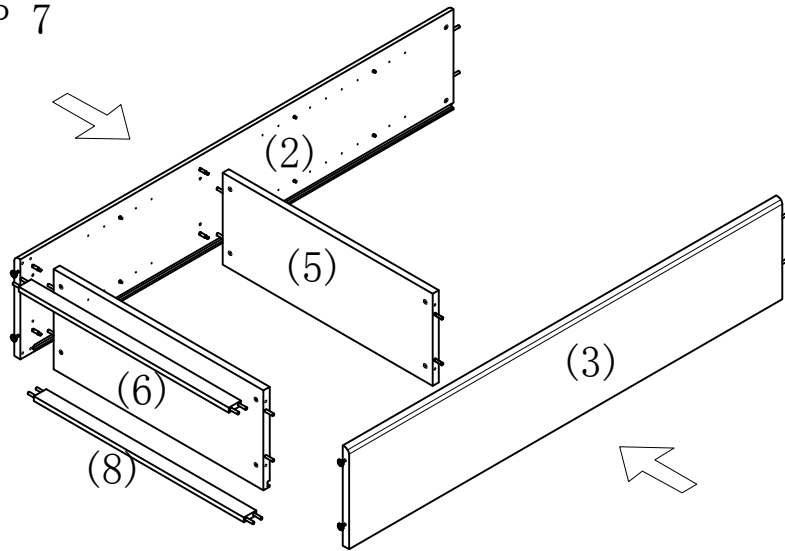


OSP
furniture

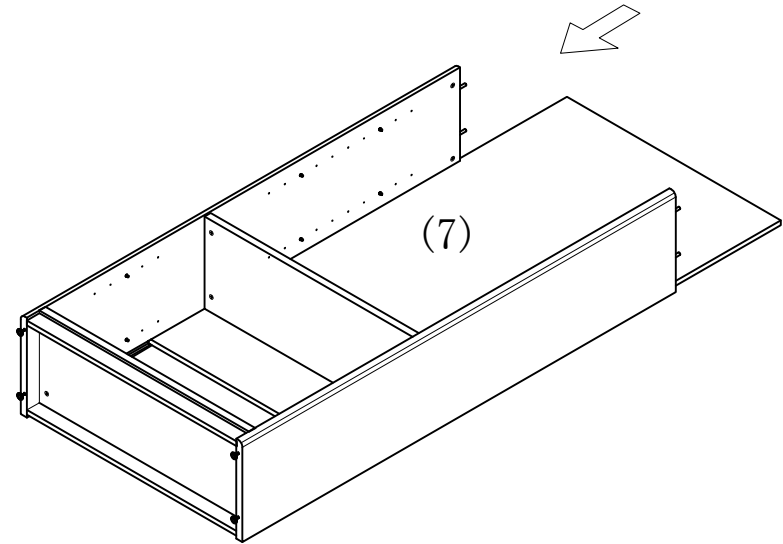
877-OSP-WORX
(677-9679)

Always lay components on A clean, soft-cushioned surface during assembly.

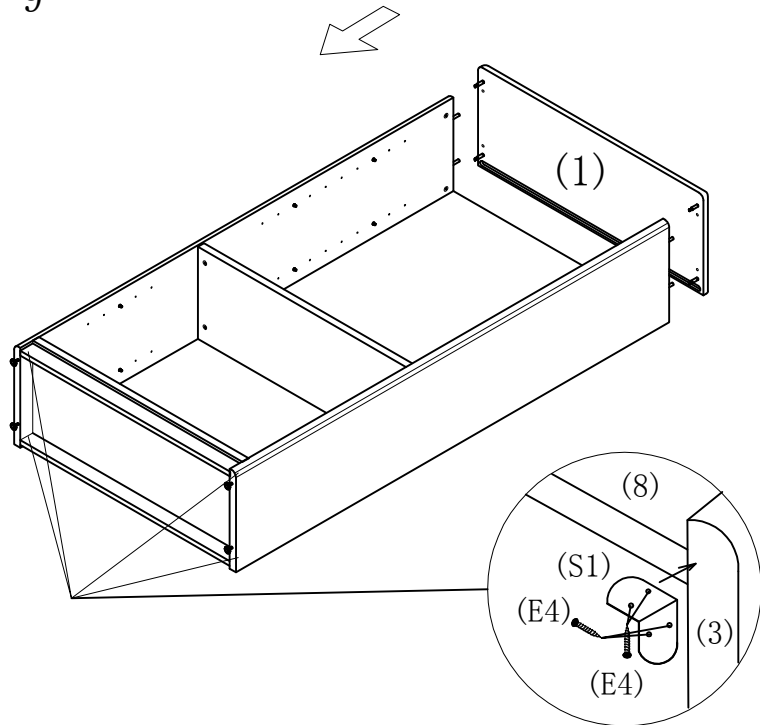
STEP 7



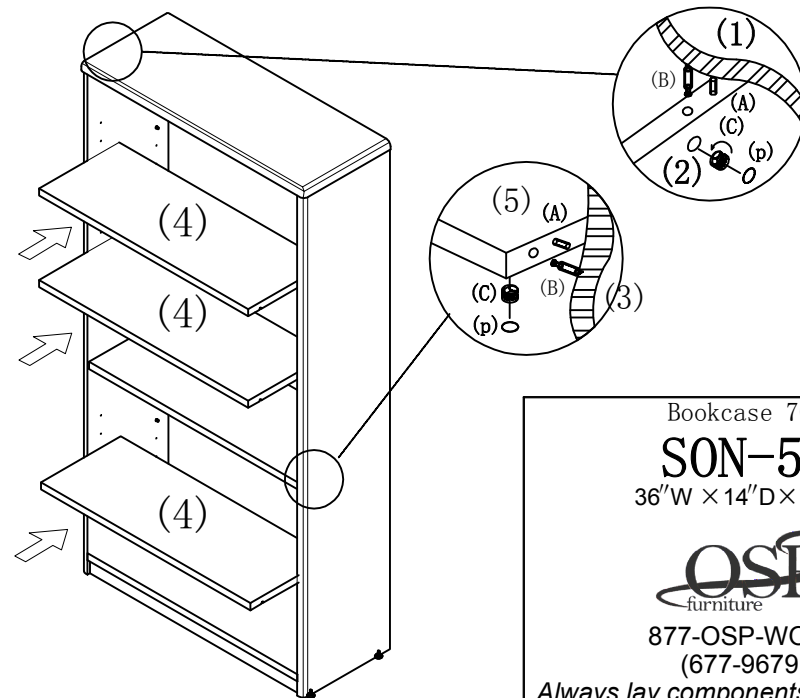
STEP 8



STEP 9



STEP 10



Bookcase 70''H

SON-56

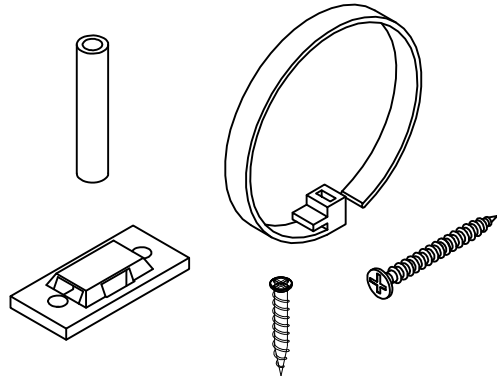
36''W × 14''D × 70''H

OSP
furniture

877-OSP-WORX
(677-9679)

*Always lay components on A clean,
soft-cushioned surface during assembly*

(F) Wall-attachment kits



1PC

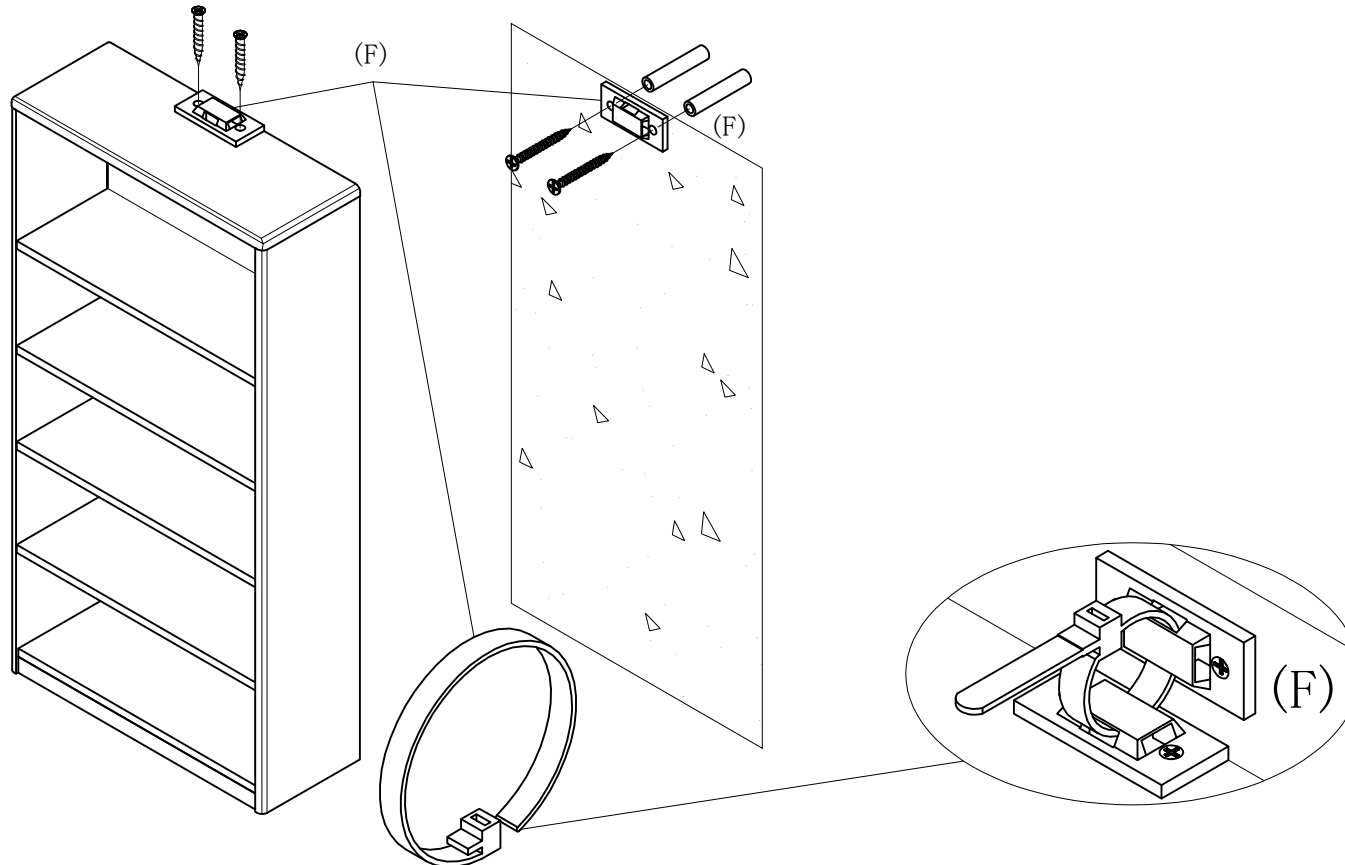
1. Affix 1st wall-attachment bracket to the top of Bookcase, at rear/center, using (2) **SHORT** screws.

2. Affix 2nd wall-attachment bracket to the wall, using (2) wall anchors and (2) **LONG** screws.

Note: Locate the 2nd bracket 1/4" higher than the 1st bracket (now located on the top of the bookcase). Align 2nd bracket left/right with the 1st bracket.

3. Connect wall-attachment brackets with plastic cable tie.

STEP 11



Bookcase 70"H
SON-56
36"W × 14"D × 70"H

OSP
furniture

877-OSP-WORX
(677-9679)

*Always lay components on A clean,
soft-cushioned surface during assembly.*