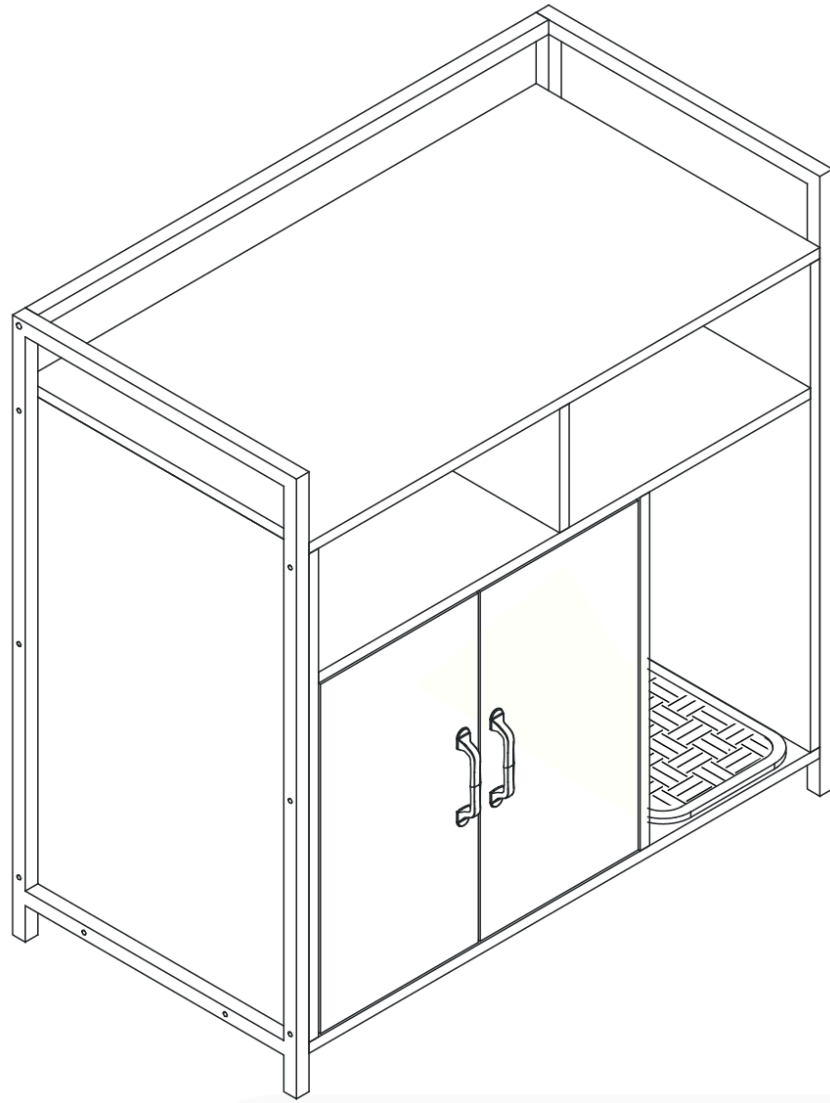


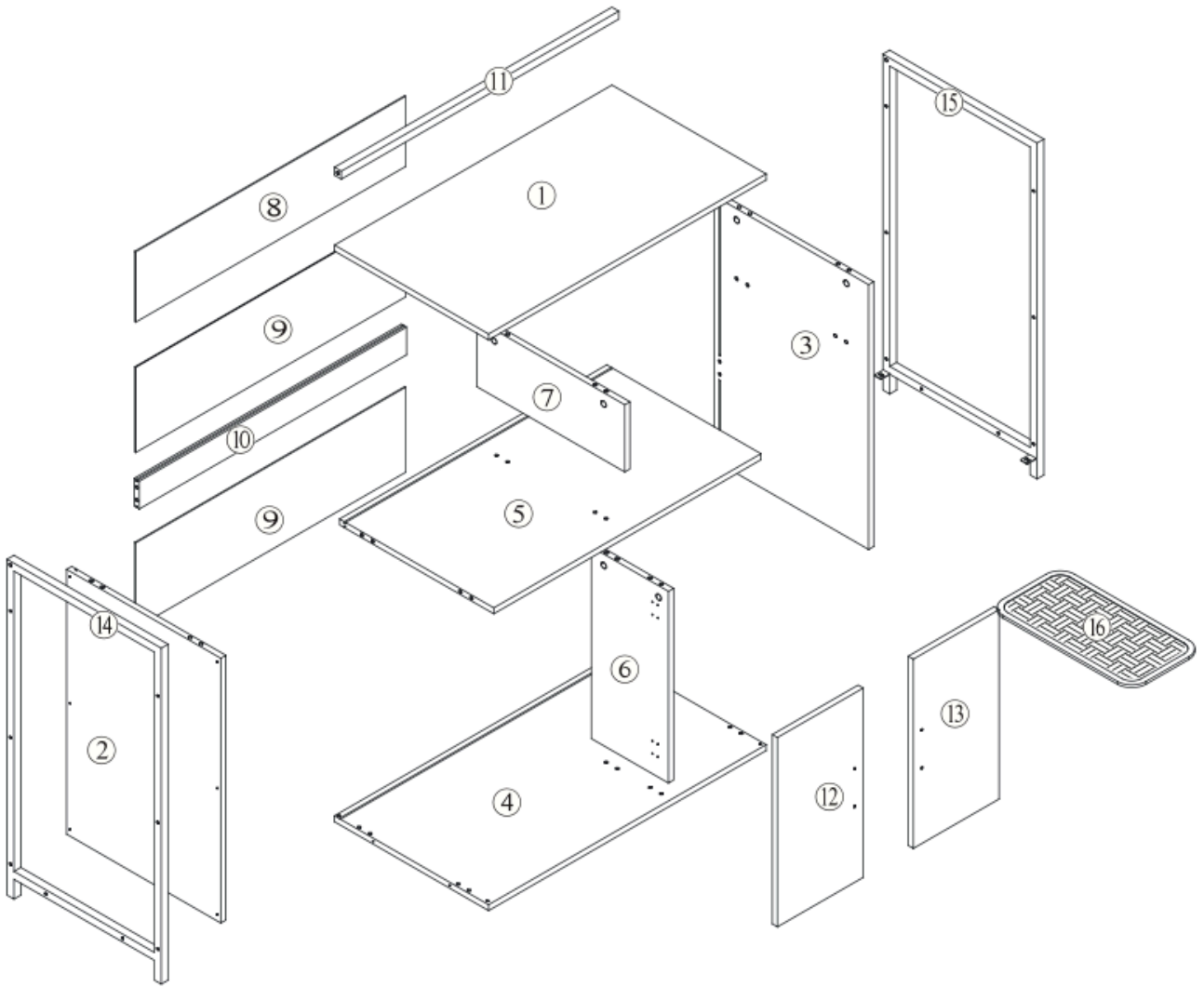
Assembly Instruction



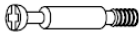















Product name

Cat Litter Box Enclosure

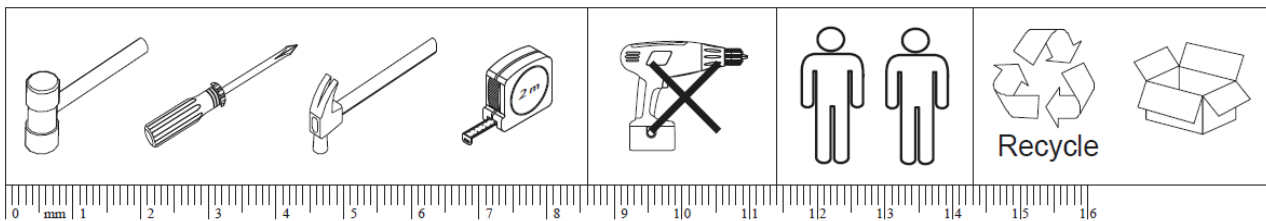
The Accessories



The Hardware

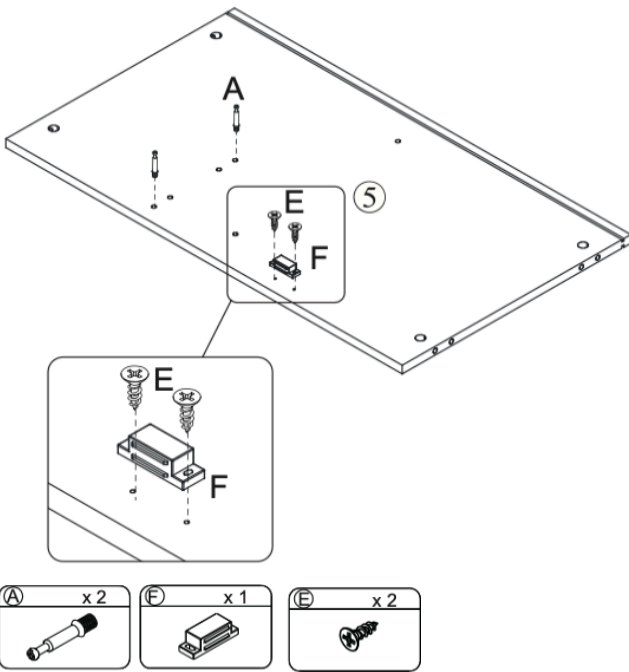
Code	Description	Qty	Code	Description	Qty
A	 $\phi 6 \times 35 \text{mm}$	16	I		4
B	 $\phi 15 \times 10 \text{mm}$	16	J	 $\phi 4 \times 14 \text{mm}$	24
C	 $\phi 6 \times 30 \text{mm}$	20	K	 $\phi 4 \times 35 \text{mm}$	20
D	 $\phi 4 \times 35 \text{mm}$	8	L		2
E	 $\phi 3 \times 14 \text{mm}$	2	M	 $\phi 4 \times 20 \text{mm}$	4
F		1	N	 $\phi 6 \times 30 \text{mm}$	2
G		2	O	 $\phi 3 \times 16 \text{mm}$	12
H	 $\phi 3 \times 12 \text{mm}$	2	P		1

Purchased it from who will be able to resolve any issues.

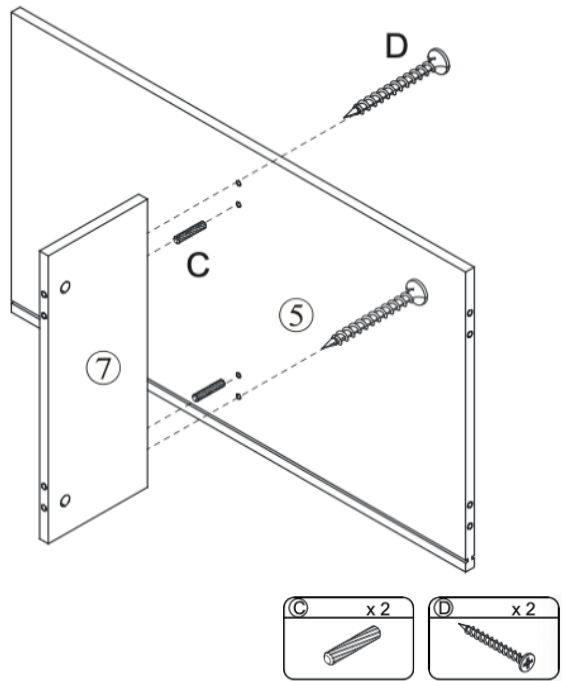


Assembling

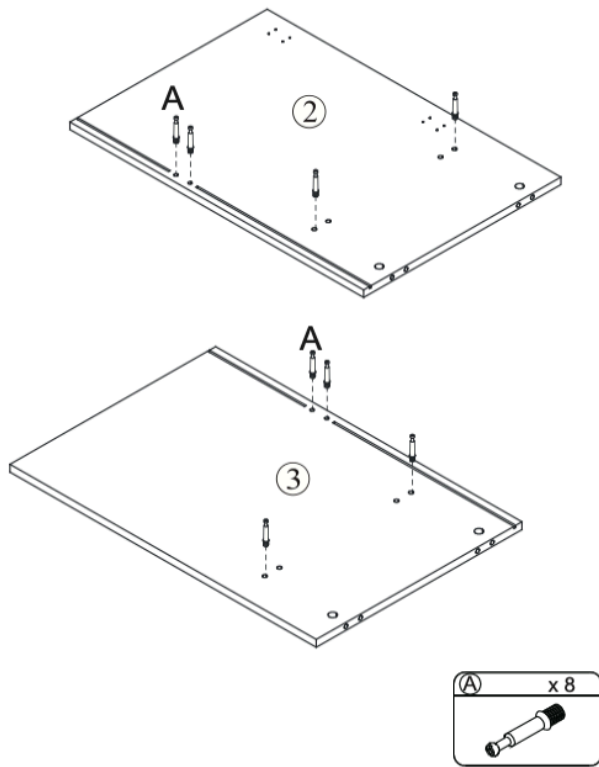
Step 1



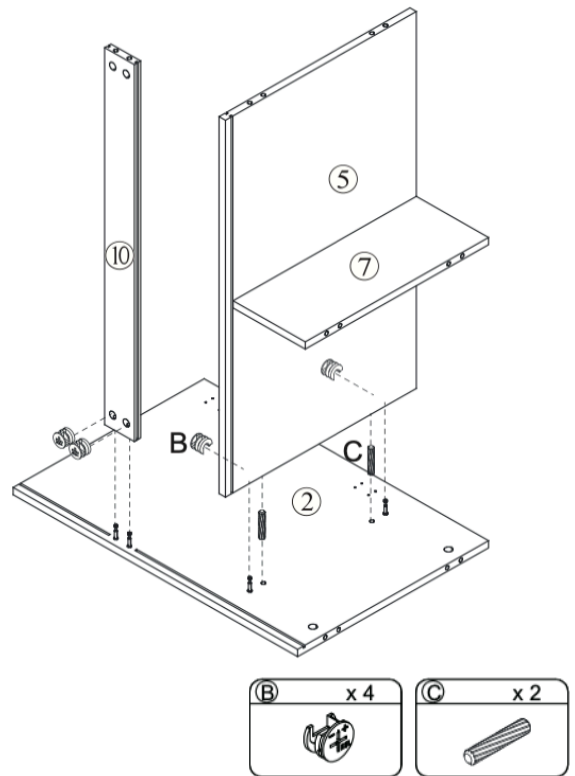
Step 2



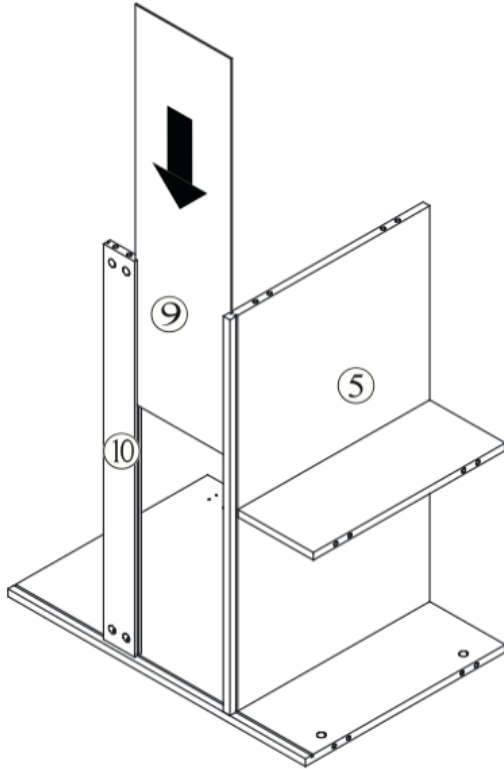
Step 3



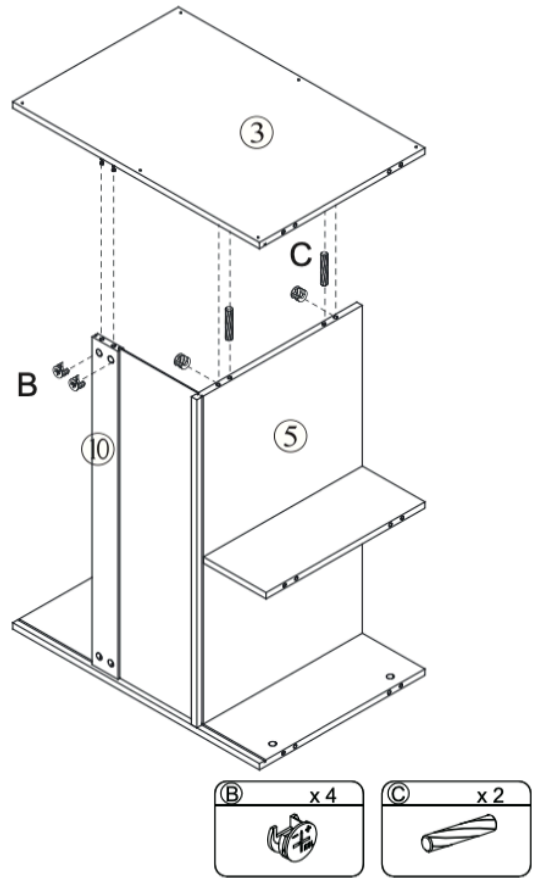
Step 4



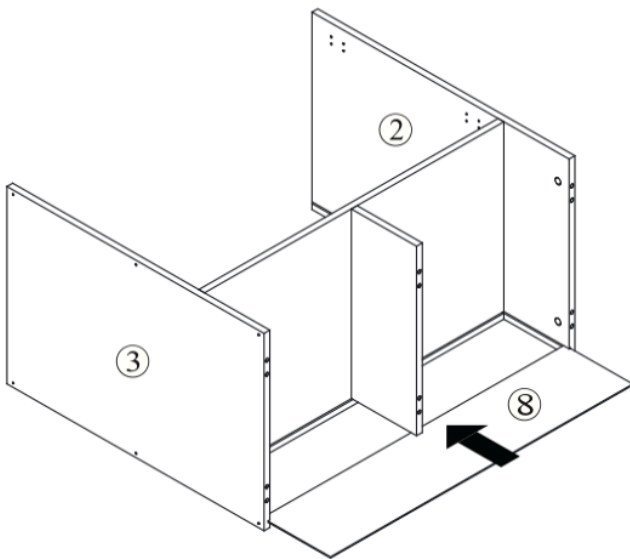
Step 5



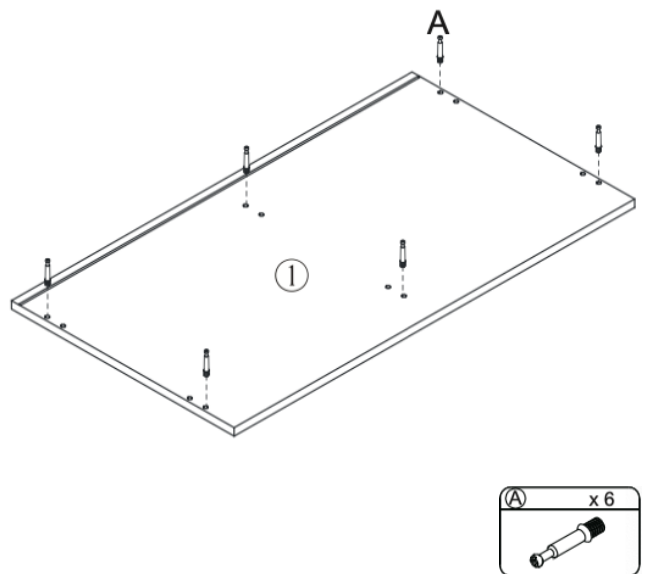
Step 6



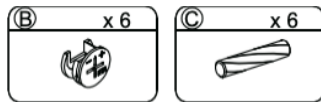
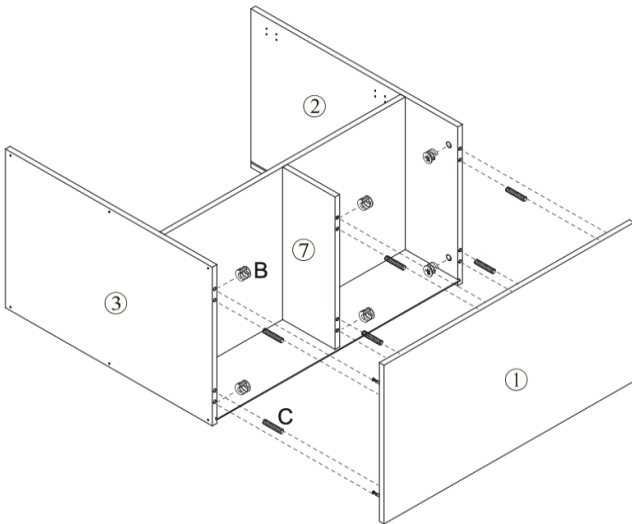
Step 7



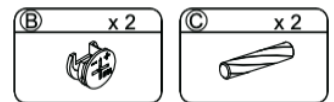
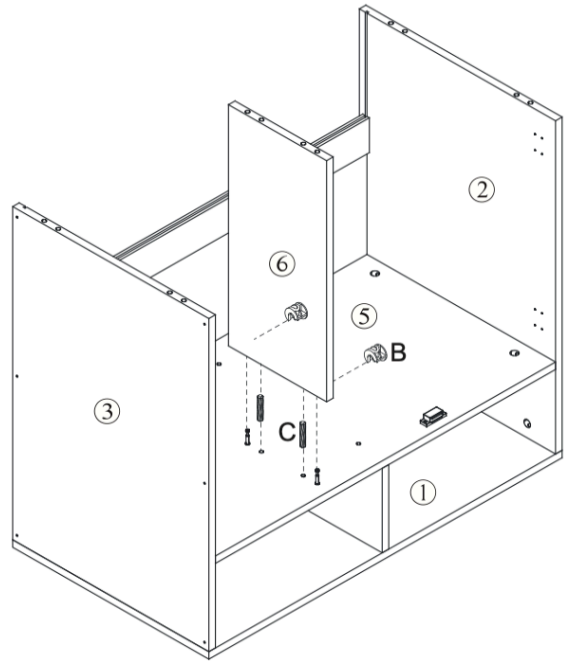
Step 8



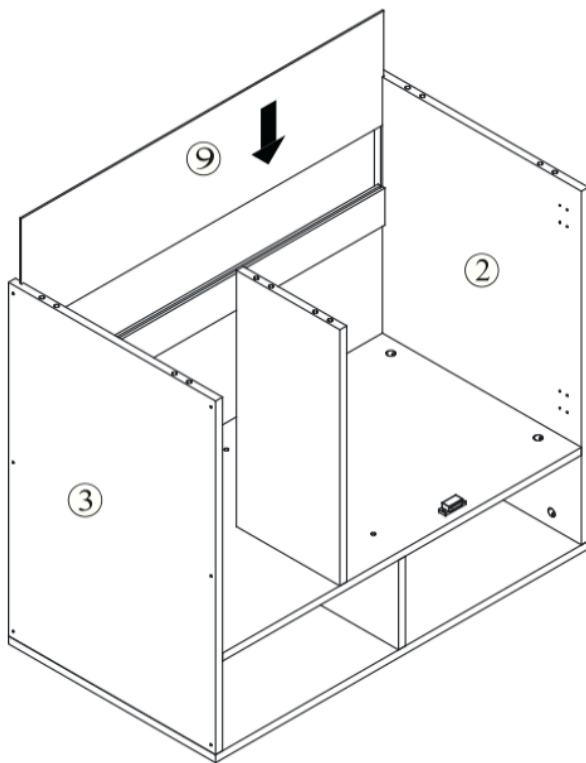
Step 9



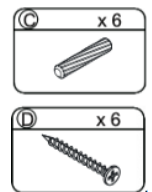
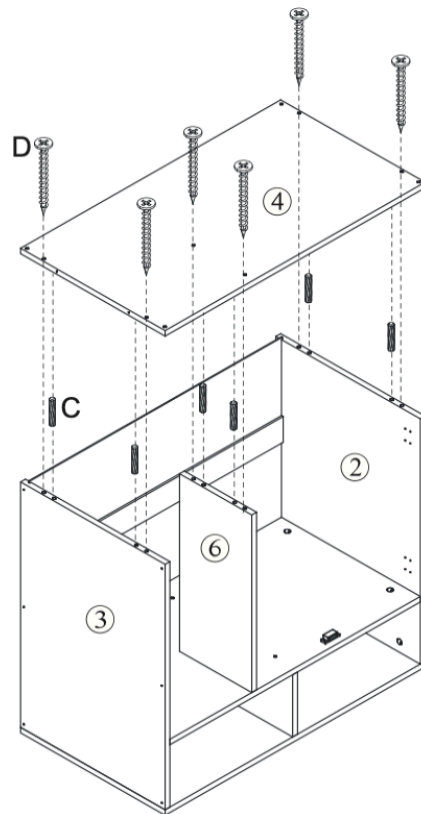
Step 10



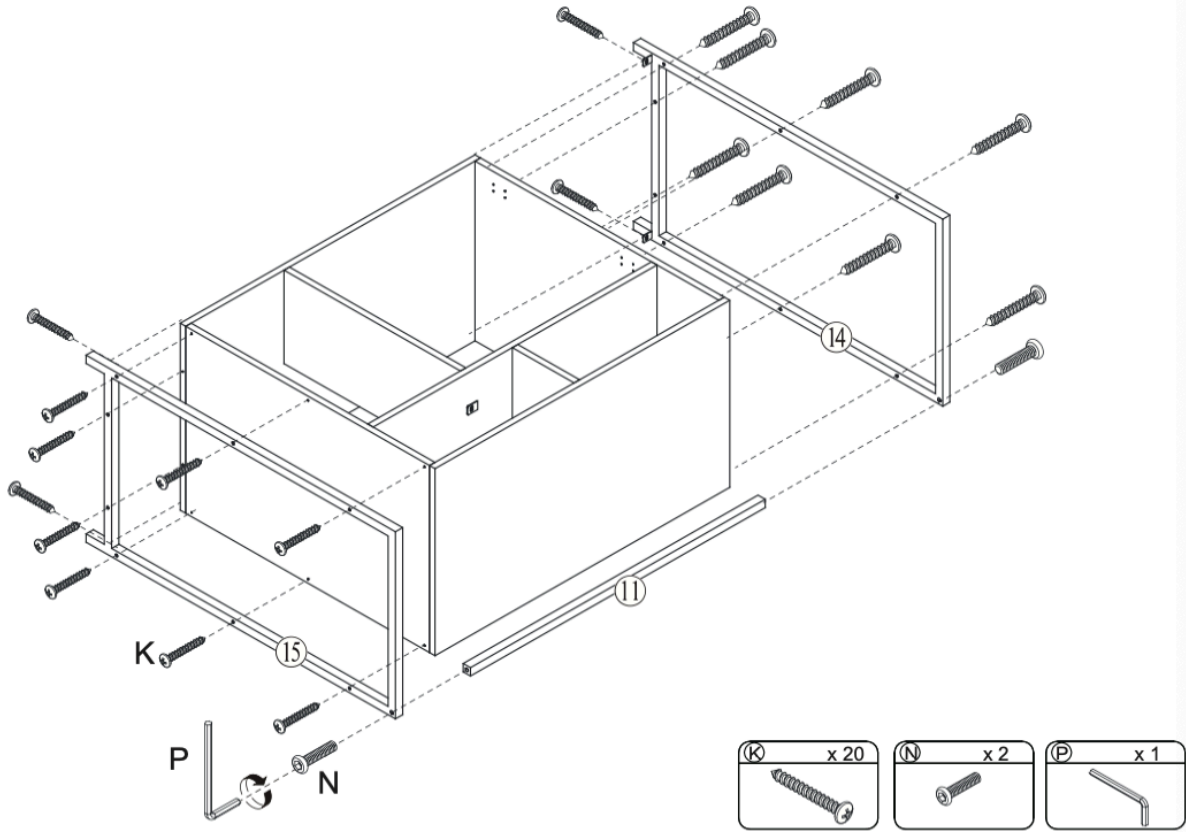
Step 11



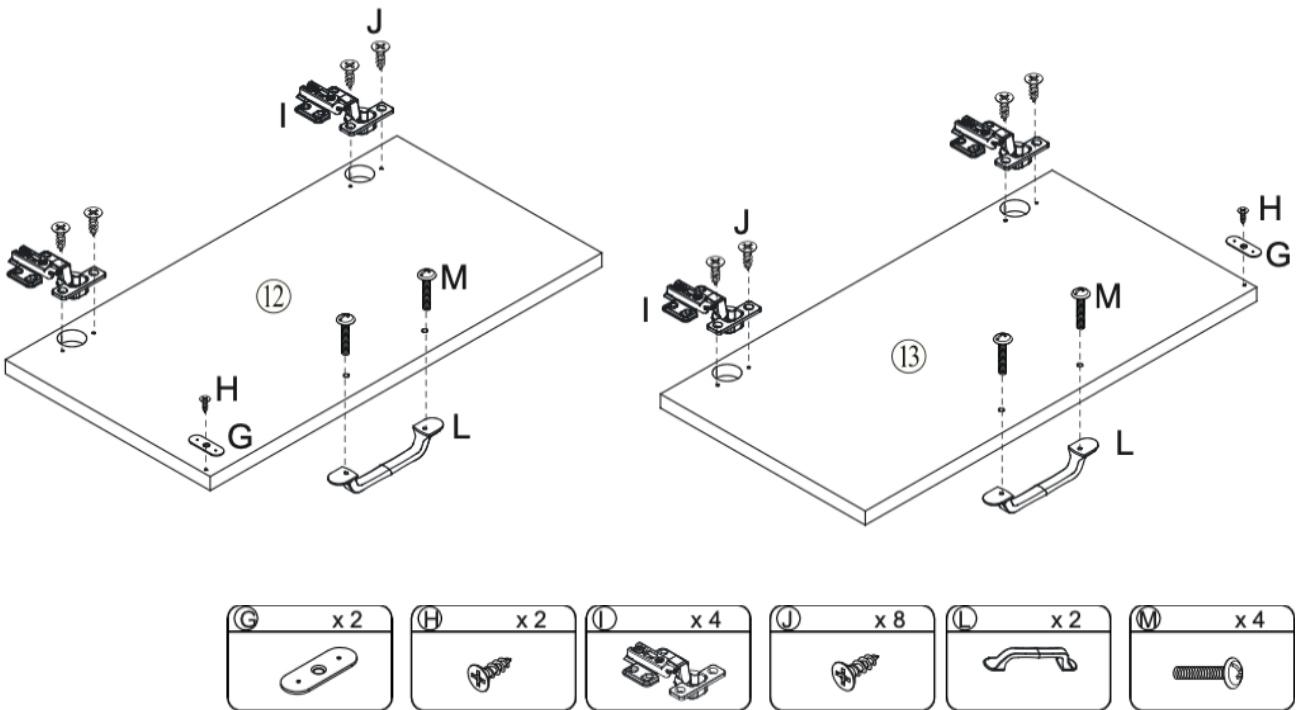
Step 12



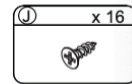
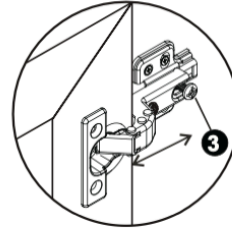
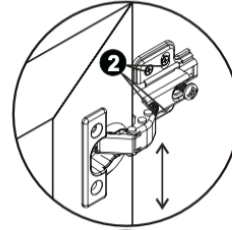
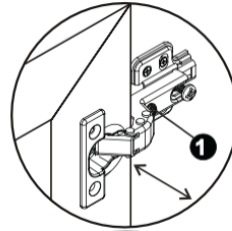
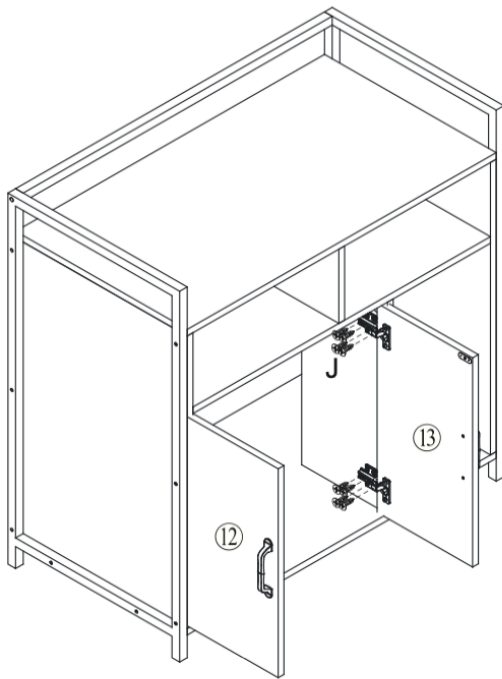
Step 13



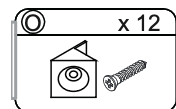
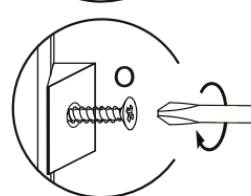
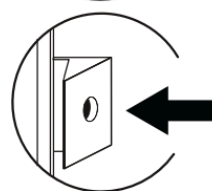
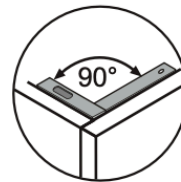
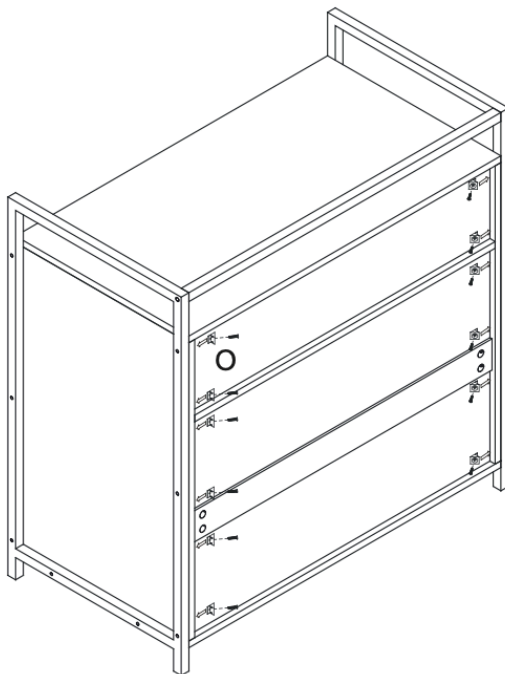
Step 14



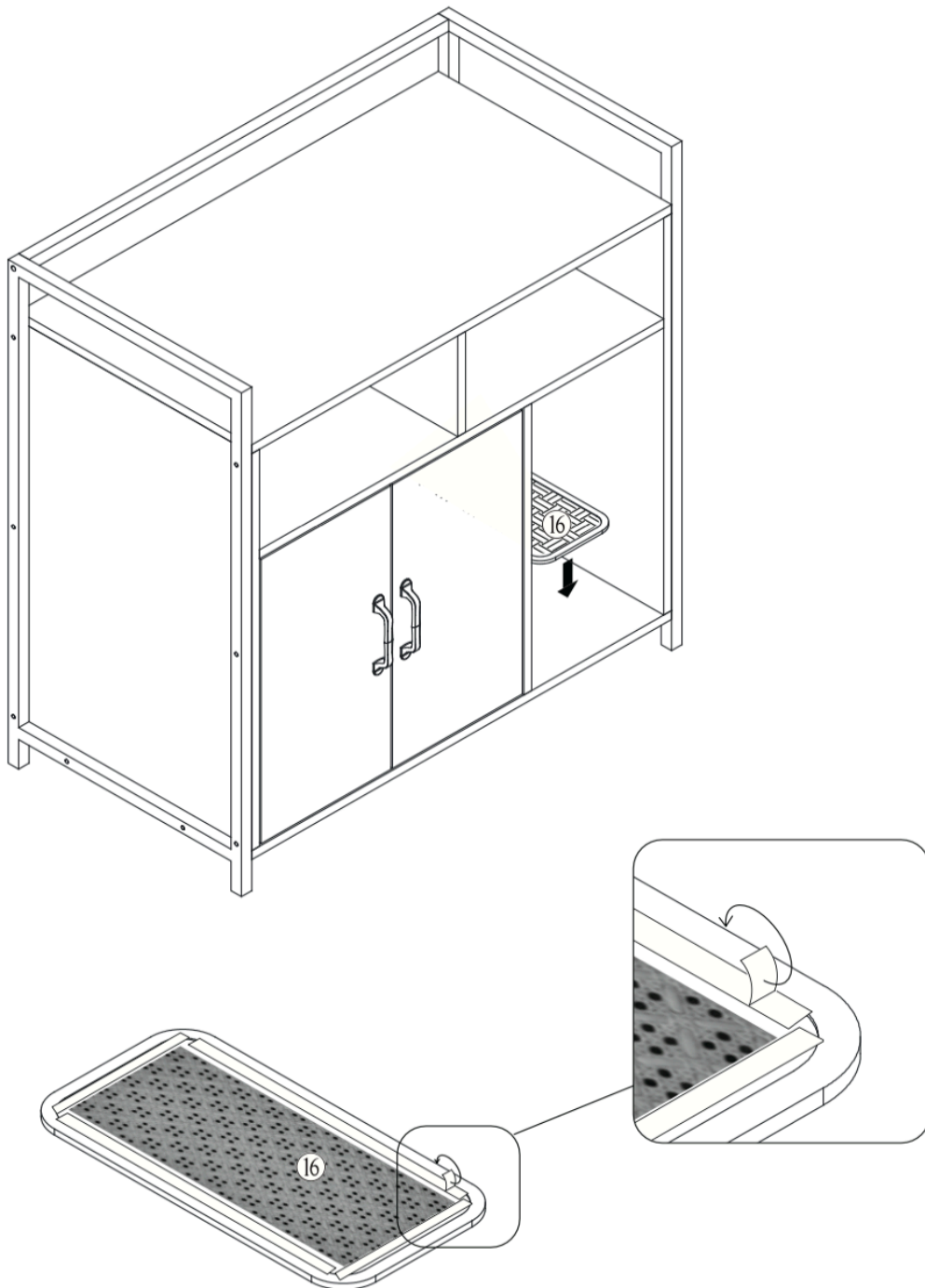
Step 15



Step 16



Step 17



Assembly Guidelines & Precautions

Guidelines

- Read and follow the instructions carefully during assembly and use.
- Keep this manual for future reference or contact after-sales for support.
- If any parts are missing or defective upon unpacking, stop assembly and contact us for replacements.

Precautions

- For indoor use only. Follow the manual for correct assembly and use. Any modifications may result in injury or damage. The seller is not responsible for misuse or improper assembly.
- Keep the product away from fire, heat, and direct sunlight. Avoid placing hot objects on it.
- Assemble on a spacious surface. Do not place parts directly on the ground to avoid damage.
- Do not stand or sit on any part of the furniture.
- Wear gloves during assembly to avoid injury from sharp edges.
- Match parts by their numbers in the manual. Loosely align all screws before tightening them.
- Regularly check screw tightness and re-tighten if needed to ensure stability.
- Keep the product away from sharp objects and corrosive substances to prevent damage.

Warning

- Children should not assemble this product. Keep small parts and packaging out of children's reach to avoid choking or suffocation risks.
- In case of accidental spills, turn off any connected power immediately.