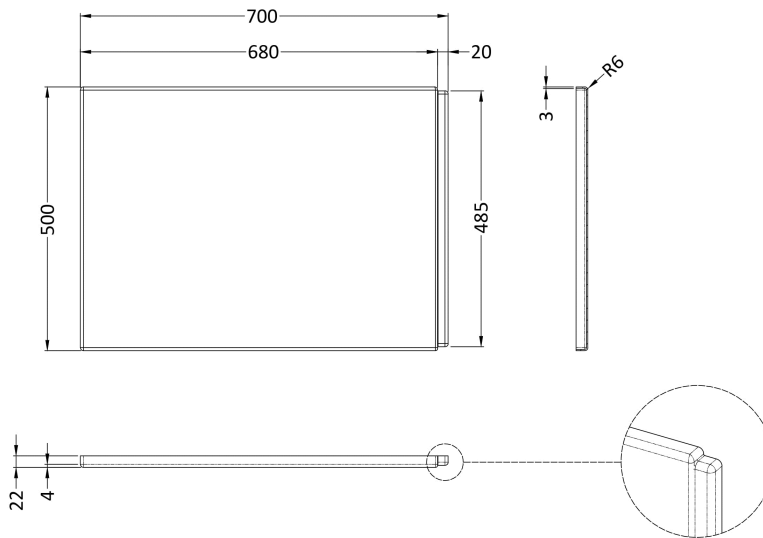


# CUSTOMER DATA SHEET - BATHS

**DESCRIPTION:** B-Shaped End Panel



PRODUCT DIMENSIONS			
Length (mm)	Width (mm)	Depth (mm)	Nett Wgt Kg
700	500	26	1

PACKAGING DIMENSIONS			
Length (mm)	Width (mm)	Depth (mm)	Gross Wgt Kg
720	520	30	1

PACKAGING DATA			
Box Colour	Polybagged With End Caps		
Box Qty	1	Label Colour	White Label
Label Size	100 X 50	Label Qty	1

OUTER BOX DIMENSIONS (If Applicable)			
Length (mm)	Width (mm)	Height (mm)	Gross Wgt Kg

PRODUCT DETAILS							
Country of Origin	Turkey			Certification	FSC	CE	
Fitting Instruction	Yes			Material Colour Ref'	European White		
Product Material	Acrylic			Material Thickness	2mm		
Volume (Ltr)	N/A			Displaced Capacity	N/A		
Leg Set Inc'	Not Applicable			Waste Inc'	Not Applicable		
Drilled/Undrilled	Not Applicable			Includes Grips	Not Applicable		
Embossed	Not Applicable			No of Tapholes	Not Applicable		
Anti-Slip	Not Applicable						