

INSTRUCTIONS for Lithonia Lighting ERE SQ Models

READ AND FOLLOW ALL SAFETY INSTRUCTIONS

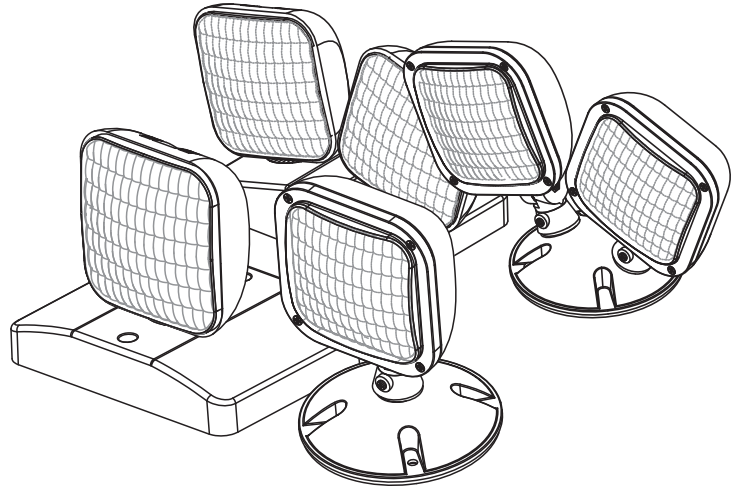
IMPORTANT SAFEGUARDS:

When using electrical equipment basic safety precautions should always be followed, including the following:

WARNINGS:

RISK OF ELECTRIC SHOCK - NEVER CONNECT TO, DISCONNECT FROM, OR SERVICE WHILE EQUIPMENT IS ENERGIZED.

FAILURE TO FOLLOW THESE INSTRUCTIONS AND WARNINGS MAY RESULT IN DEATH, SERIOUS INJURY OR SIGNIFICANT PROPERTY DAMAGE. For your protection, read and follow these warnings and instructions carefully before installing or maintaining this equipment. These instructions do not attempt to cover all installation and maintenance situations.



READ AND FOLLOW ALL SAFETY INSTRUCTIONS

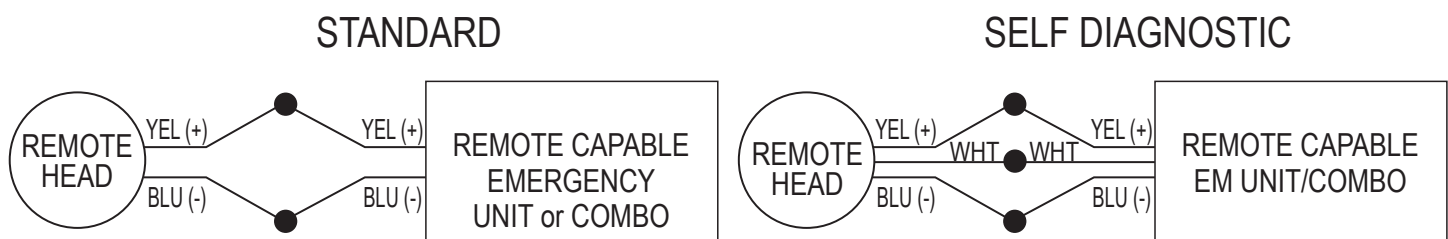
- All service shall be performed by Qualified Service Personnel.
- This product must be installed and maintained in accordance with the applicable installation codes by a person familiar with the construction operation of the product and the hazards involved.
- Disconnect A.C. power and unplug battery at the supply fixture before servicing.
- Do not let power supply wires touch hot surfaces.
- Do not mount near gas or electric heaters.
- Equipment should be mounted in locations and at heights where it will not readily be subjected to tampering by unauthorized personnel.
- The use of accessory equipment not recommended by the manufacturer may cause an unsafe condition.
- Do not use this equipment for other than its intended use.
- The voltage rating of this equipment is specified on the label attached to the leads. Do not connect equipment to any other voltage.

NOTE: Max mounting height is 11 ft for single and 12 ft for twin remotes to achieve at least 1 ft-candle of illumination in emergency mode.

WIRING

1. Make wire connections using the leads on the remote head. Leads have labels attached indicating their polarity. Yellow for positive (+) and Blue for negative (-).
2. Ensure that the voltage rating of the head matches with the DC output voltage of the power source. Connection to an incorrect voltage will cause the heads/unit to not operate and fail.

WIRING DIAGRAM (for use with 3.6V, 6V, 9.6V and 12V sensing power)



SAVE THESE INSTRUCTIONS
and deliver to owner after installation

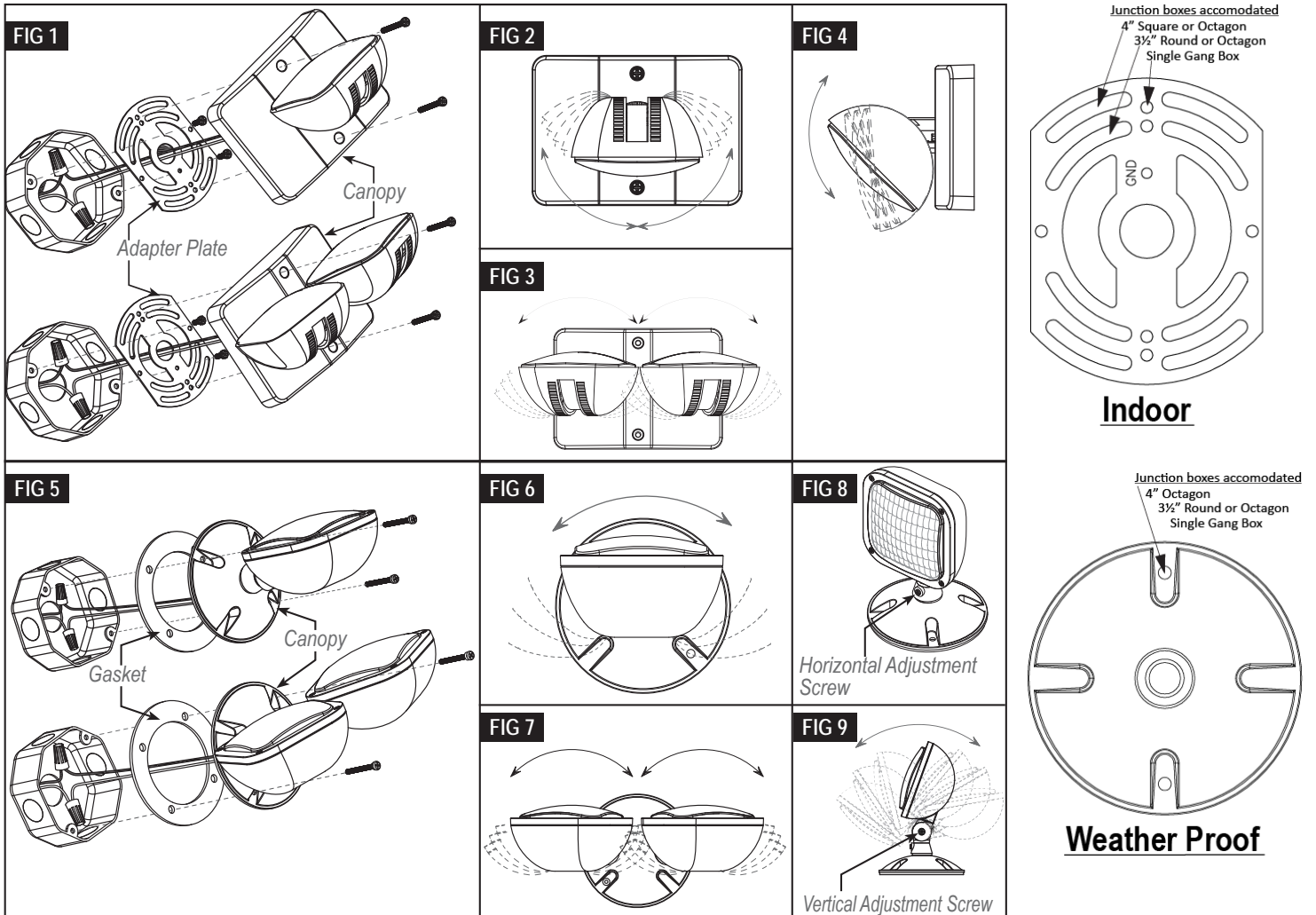
INSTALLATION INSTRUCTIONS

MOUNTING (Indoor Heads):

1. Attach the canopy or mounting base to the junction box (not included) using the mounting screws. Use the adapter plate if required (FIG. 1).
2. Heads can be rotated sideways (FIG. 2 & FIG. 3) or tilted up/down (FIG. 4) for proper orientation.

MOUNTING (Weather Proof Heads):

1. Attach the canopy or mounting base to the junction box (not included) using the mounting screws. Include the gasket provided with the weather proof-version heads (FIG. 5).
2. Heads can be rotated sideways (FIG. 6 & 7) by loosening the horizontal adjustment screw (FIG. 8) or tilted up/down by loosening the vertical adjustment screw (FIG. 9).



LITHONIA LIGHTING®
An AcuityBrands Company

LIFE SAFETY SOLUTIONS

TEL: 800-705-SERV (7378) www.lithonia.com
techsupport-emergency@acuitybrands.com

Part No. EMCSA00921, REV A.
2019.07.26