



Buy it for looks. Buy it for life.®

Specifications

Model Number	Faucet Holes	Depth-Inches	Drain Placement	FHA Compliant*
G202594BQ (pictured)	4	7"	Rear	Yes



SINK DESCRIPTION

- 2000 Series double bowl drop in sink
- 20 gauge stainless steel, brushed finish
- U-channel mounting system, hardware included
- QuickMount™ installation included
- SoundSHIELD™ sound absorbing system

WARRANTY

- Lifetime limited warranty to the original homeowner
- 10 year limited warranty when used in a Multi-family installation
- 5 year limited warranty when used in a Commercial installation
- Visit www.moen.com/customer-support/warranty for complete details and limitations

SINK DIMENSIONS

- Overall: 33" x 22"
- Left Bowl: 13" x 16-1/2"
- Right Bowl: 13" x 16-1/2"
- Drain Size: 3-5/8"

CUT OUT DIMENSIONS

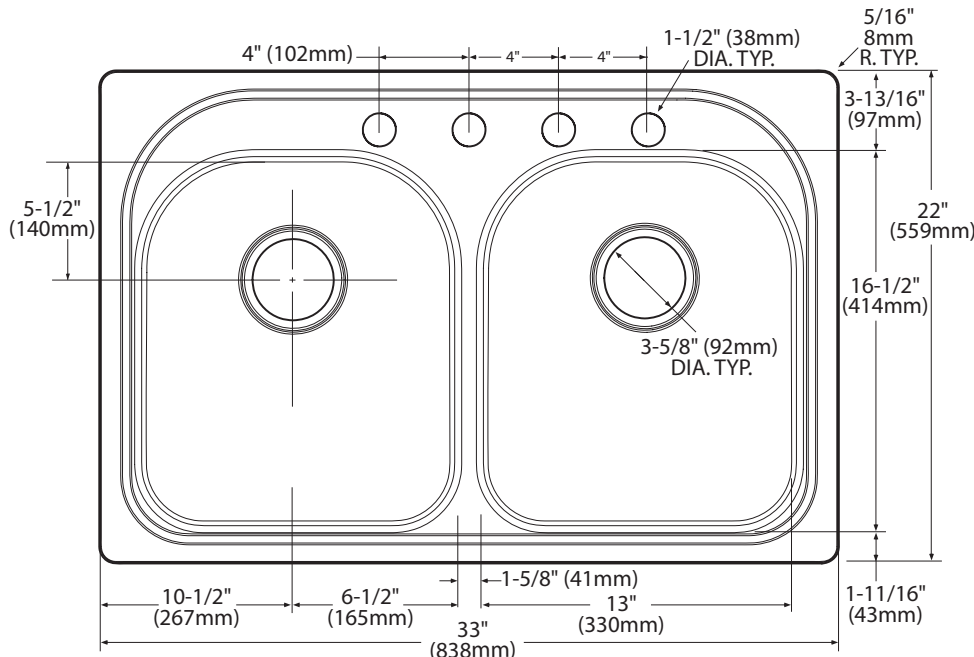
- 32-1/2" X 21-1/2", with 9/16" corner radius, a tolerance of plus or minus 1/16" is acceptable

STANDARDS

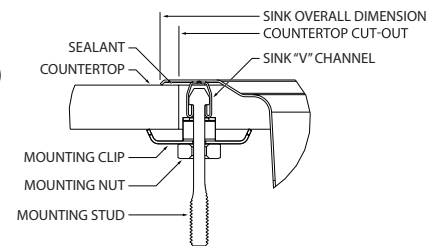
- Third party certified to meet ASME A112.19.3/CSA B45.4 and all applicable specifications referenced therein
- *FHA Sink compliant to FHA accessibility specifications when installed at these required standards. Always consult with your local building department for the specific installation requirements.

CRITICAL DIMENSIONS

(DO NOT SCALE)



Installation Detail



MADE IN THE USA

FOR MORE INFORMATION CALL: 1-800-BUY-MOEN

www.moen.com