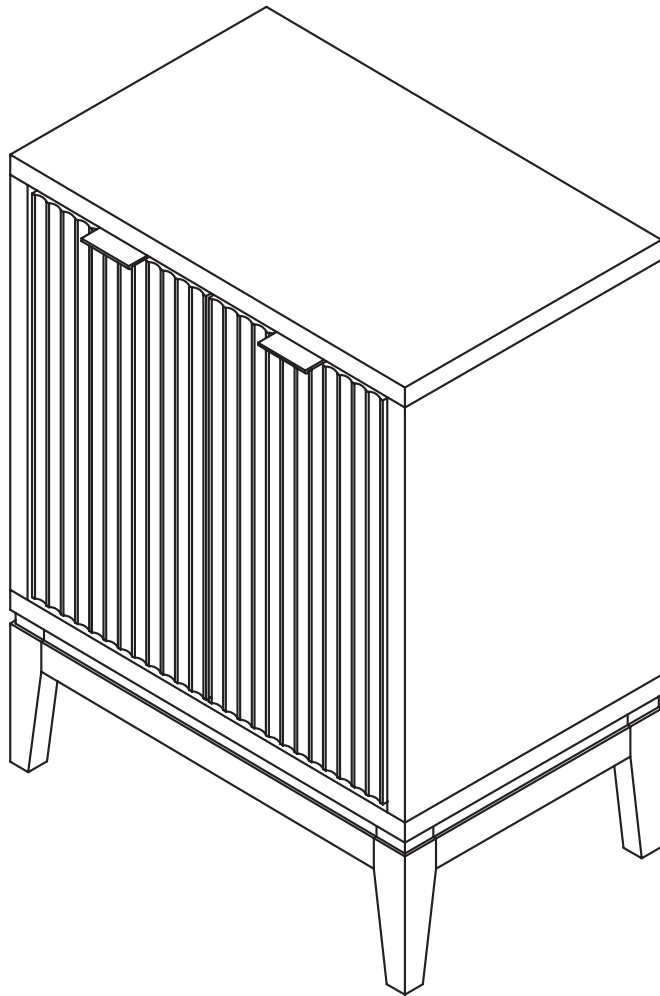


85 MINUTE
85
ASSEMBLY



What's included

Description	Qty
A Left Side Panel	1
B Right Side Panel	1
C Top Stretcher - Front	1
D Top Stretcher - Back	1
E Bottom Stretcher - Back	1
F Bottom Panel	1
G Bottom Leg Frame Stretcher	2
H Bottom Leg	2
I Back Panel	2
J Top Panel	1
K Shelf	1
L Left Door	1
M Right Door	1

Estimated time for assembly



85:00

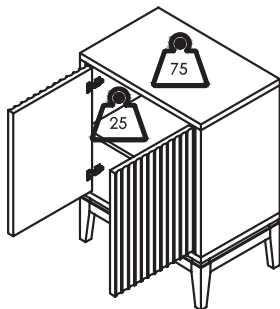
What you need

- Some of your favourite bubbly or your preferred relaxant
- Use the packaging carton as a working surface to prevent product damage during assembly
- Phillips head screwdriver
- Drill
- 5/16" Drill bit

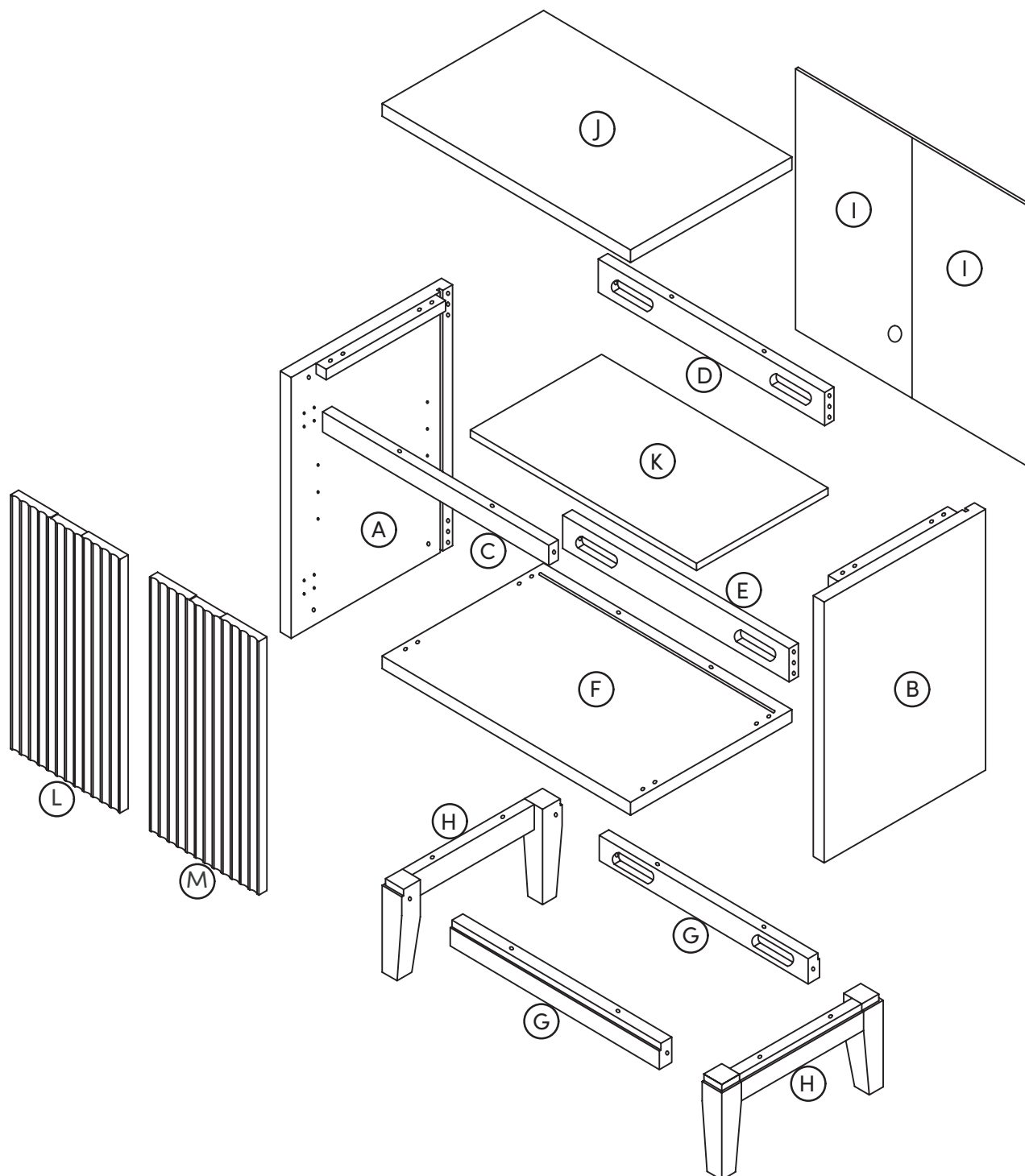
Weight Limitation



100
lbs



The goods



IMPORTANT

1. Do not tighten bolts / screws completely until all bolts / screws are lined up and inserted into holes.
2. Do not over tighten screws and bolts to avoid stripping.
3. Please use hand tools to assemble this product. Do not use power tools.

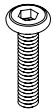
What's included cont.

	Description	Qty
1	1/4" x 1-3/16" Hex Button Head Bolt	6
2	1/4" x 1-3/4" Hex Button Head Bolt	2
3	1/4" x 2-3/16" Hex Button Head Bolt	22
4	1/4" x 2-3/4" Hex Button Head Bolt	2
5	1/4" x 3/8" Spring Washer	22
6	1/4" x 1/2" Flat Washer	22
7	Crescent Spacer	10
8	1/4" x 15MM Barrel Nuts	4
9	Allen Key	1
10	8*30MM Wooden Dowel	16
11	Handle	2
12	M3.5*15MM Screw	4
13	Hinge	4
14	M4*15MM Screw	24
15	Shelf Pin	4
16	M3*12MM Screw	4

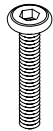
	Description	Qty
17	Plastic Bracket	2
18	Non-drywall Wall Anchor	2
19	M3.5*15MM Screw	2
20	Plastic Tether	1
21	M4*50MM Screw	2
22	Drywall Wall Anchor	2
23	Magnetic Catch	2
24	M3.5*16MM Screw	4
25	Leveler (Extra)	2

The goods

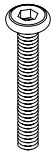
1



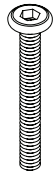
2



3



4



5



6



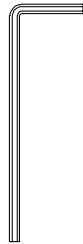
7



8



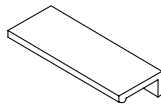
9



10



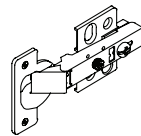
11



12



13



14



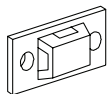
15



16



17



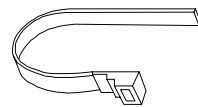
18



19



20



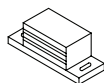
21



22



23



24

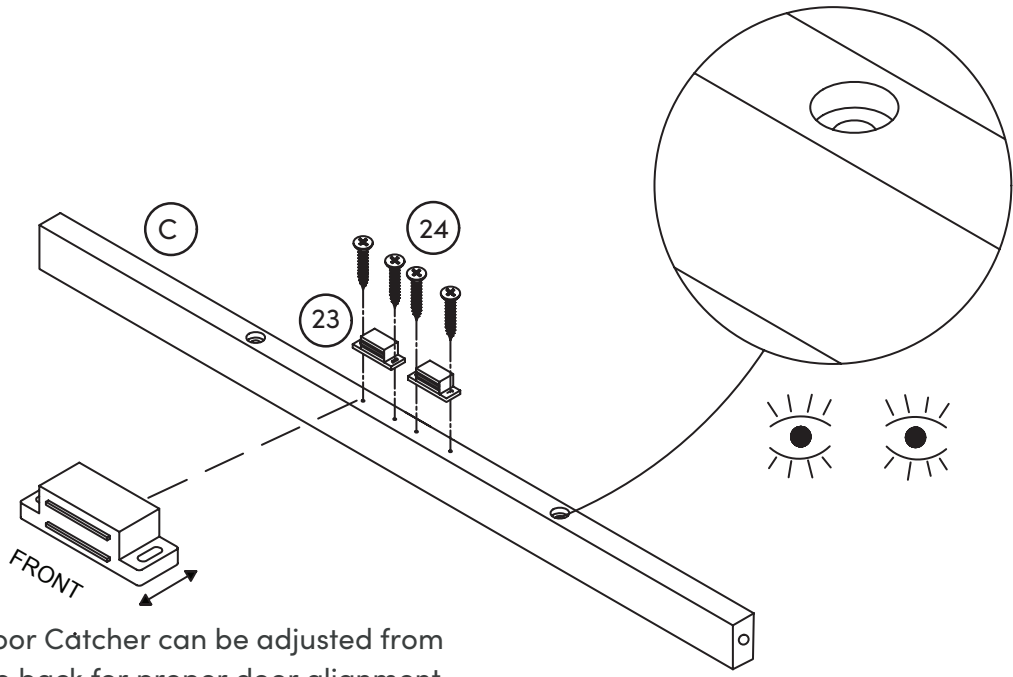
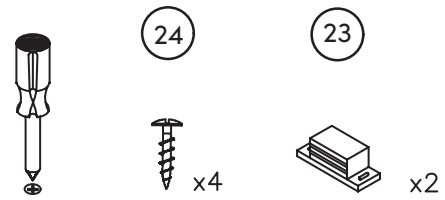


25

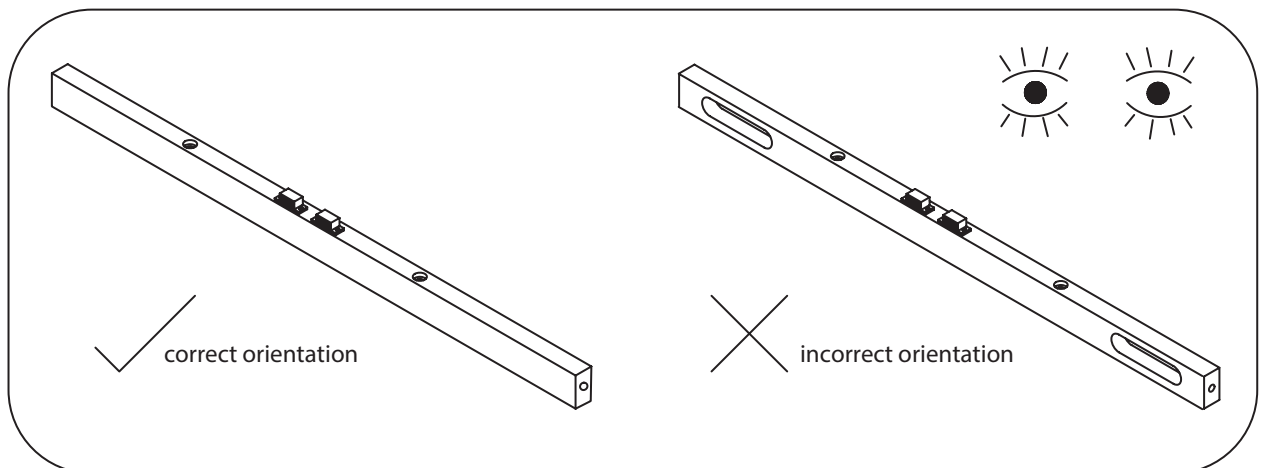


Step 1

It's as easy as it looks! Attach the Magnetic Catches (23) to the Top Stretcher - Front (C) using the M3.5*15MM Screws (24).



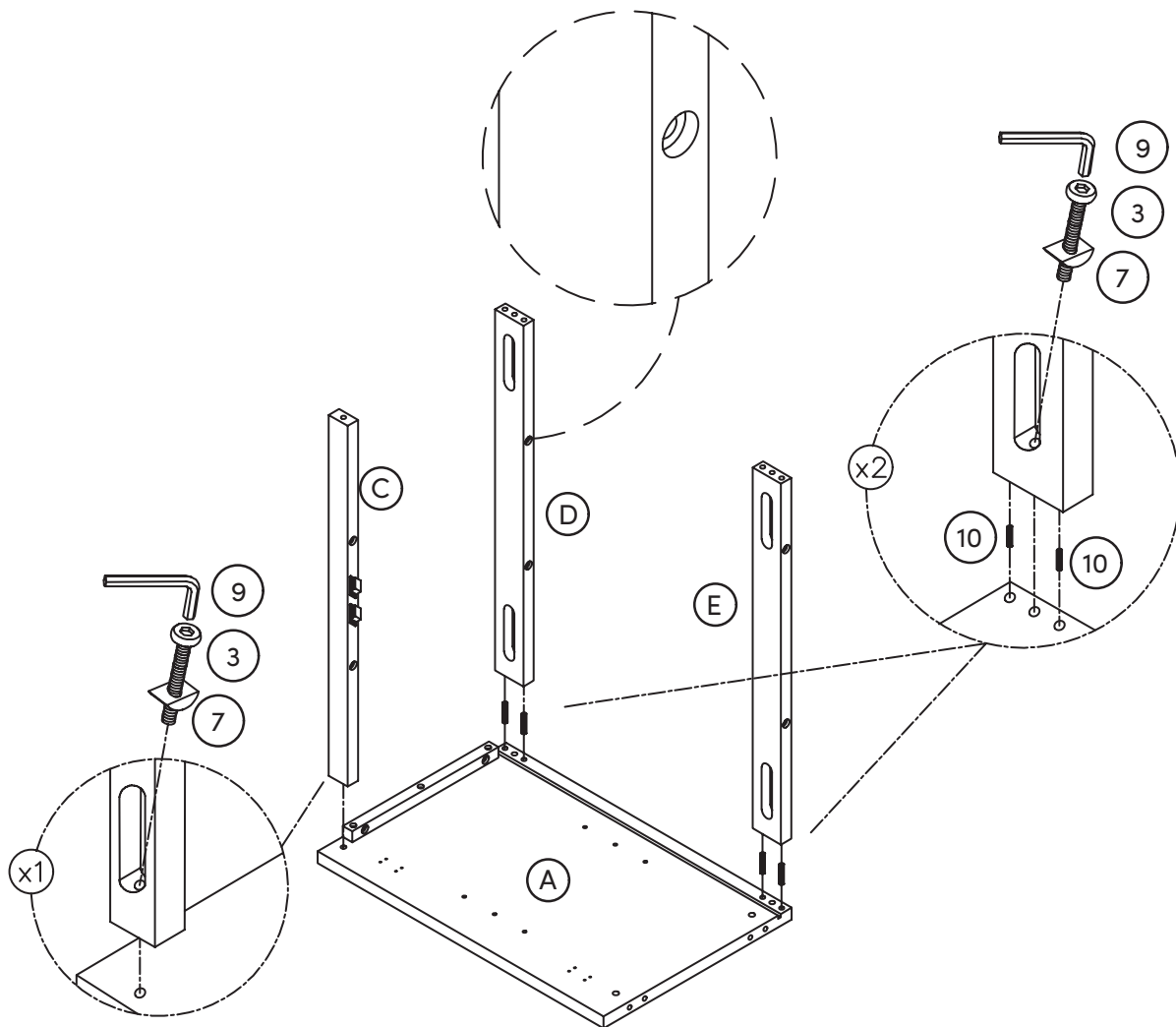
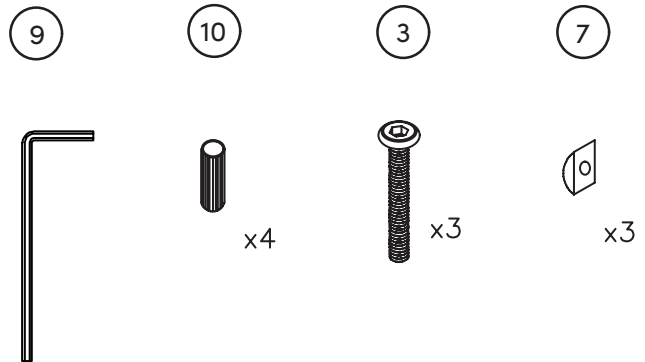
Tip! Door Catcher can be adjusted from front to back for proper door alignment.



Step 2

Secure the Top Stretcher - Front (C) to the Left Side Panel (A) by tightening a 1/4"x2-3/16" Hex Button Head Bolt (3) through a Crescent Spacer (7).

Then, place four Wooden Dowels (10) in the pre-drilled holes on the bottom of the Left Side Panel (A) and secure the Bottom Stretcher - Back (E) and Top Stretcher - Back (D).



Step 3

You're getting the hang of this! Insert four more Wooden Dowels (10) to the Right Side Panel (B) and secure the stretchers from Step 1 and 2.

9

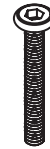


10



x4

3

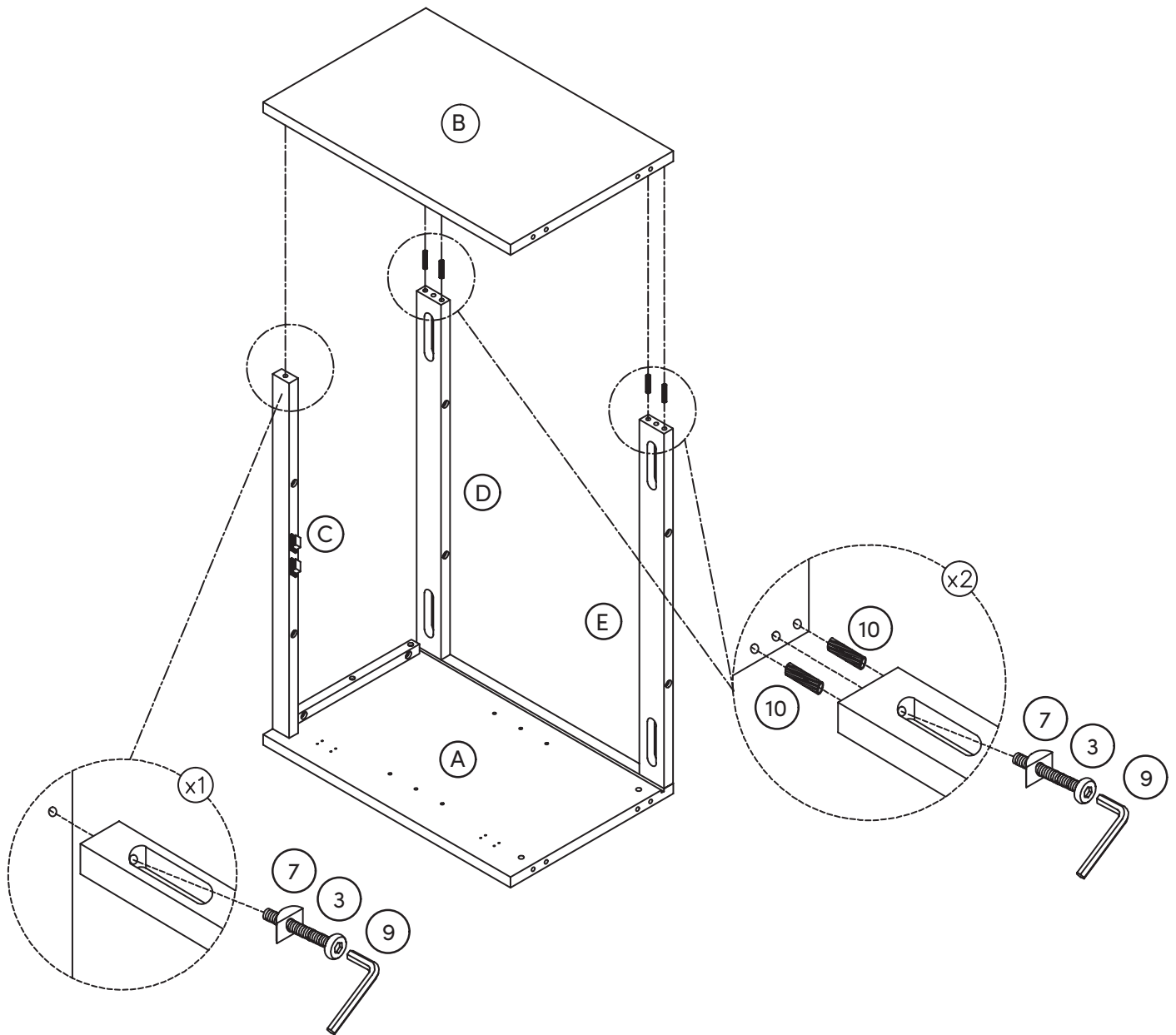


x3

7

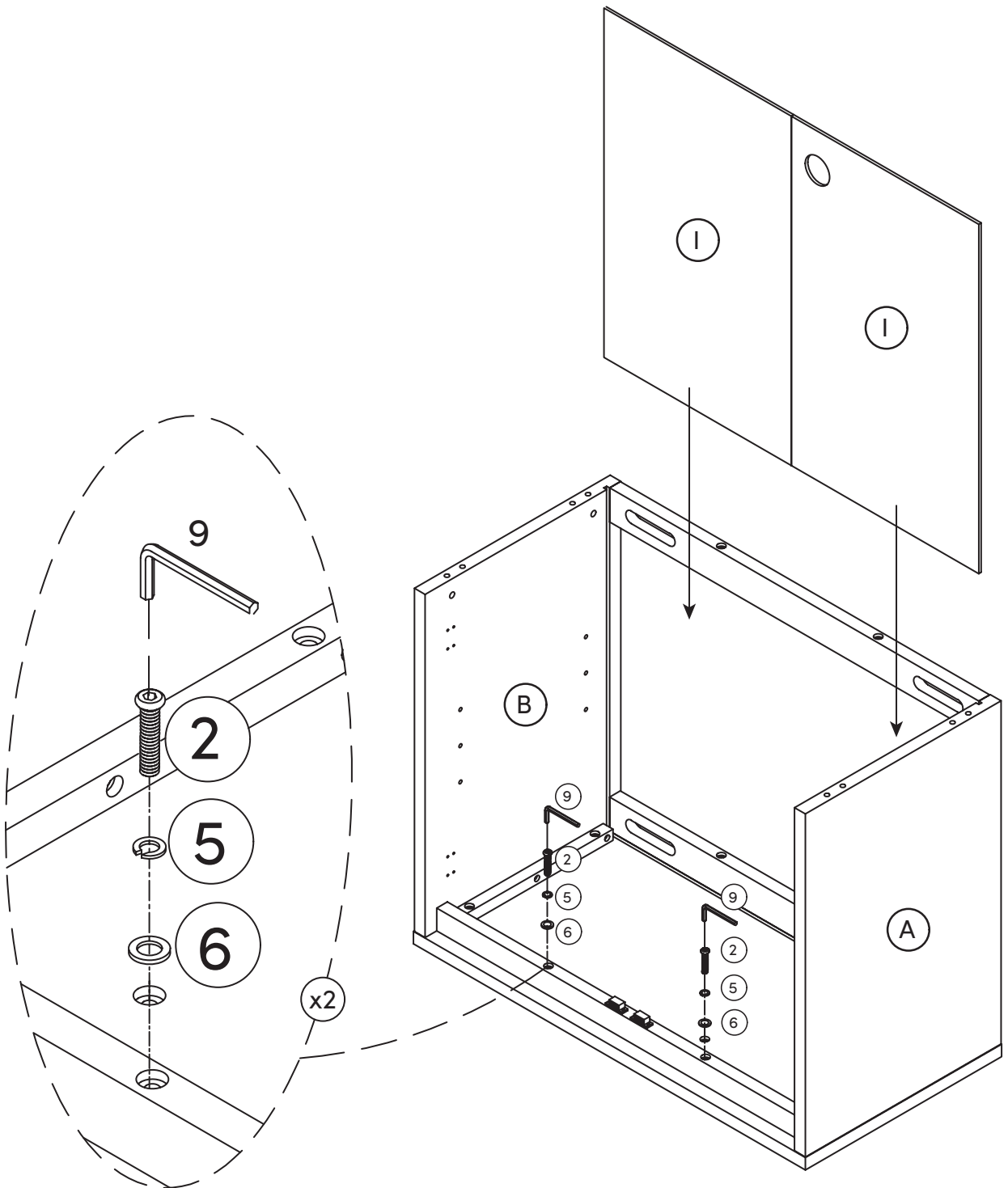
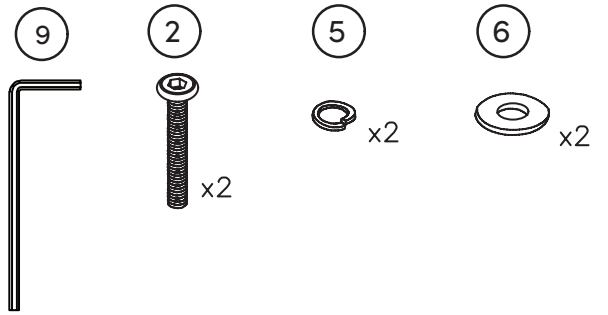


x3



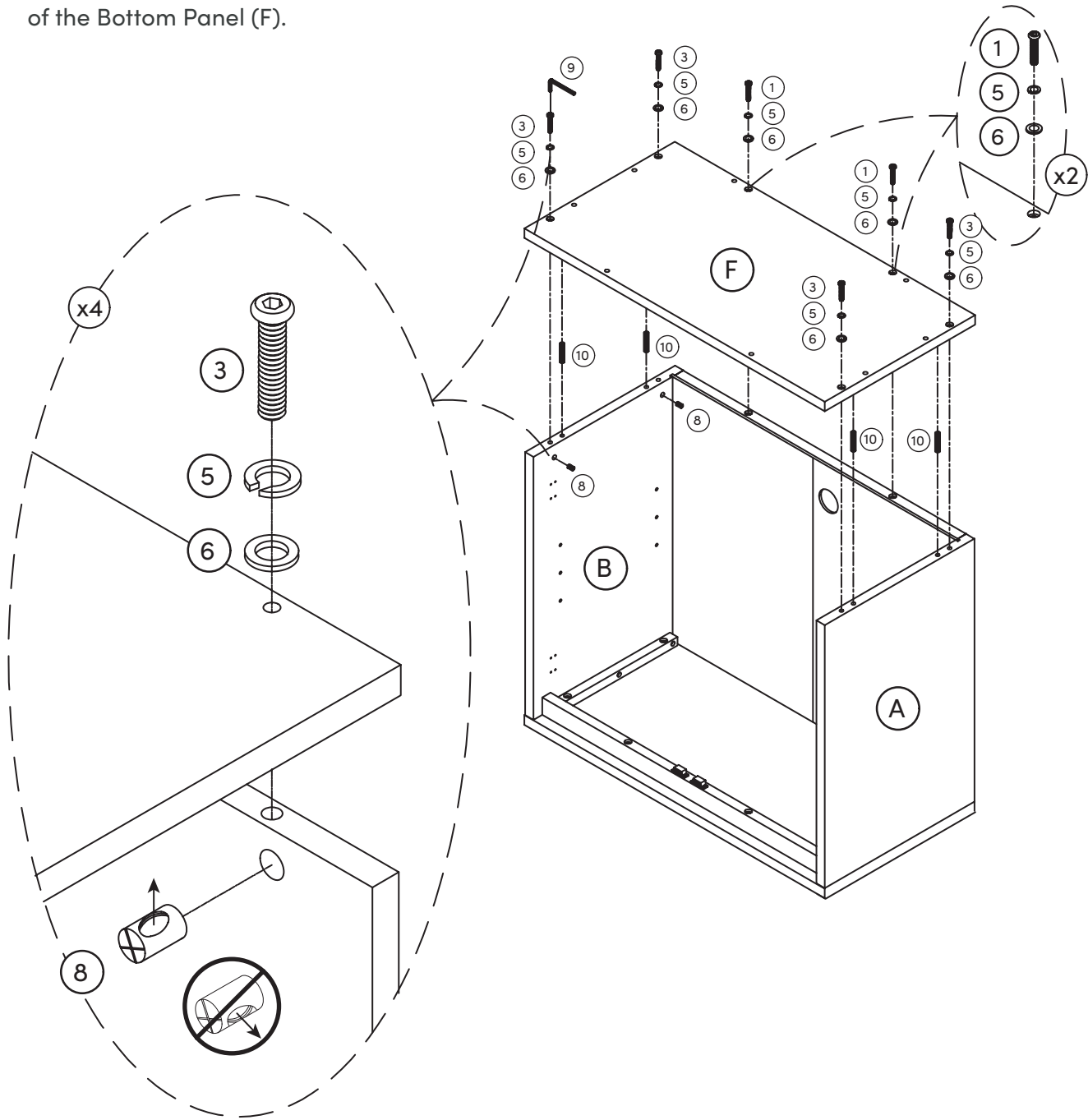
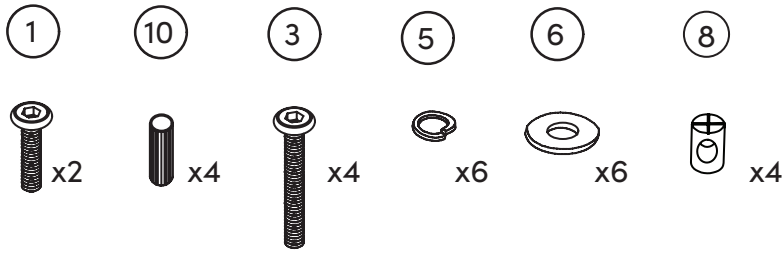
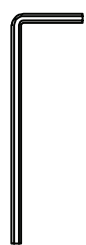
Step 5

Cha-cha slide the Back Panels (1) onto the unit and then tighten the opposite stretcher with the Allen Key (9) using Parts (2), (5), and (6).



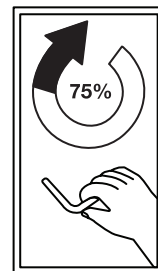
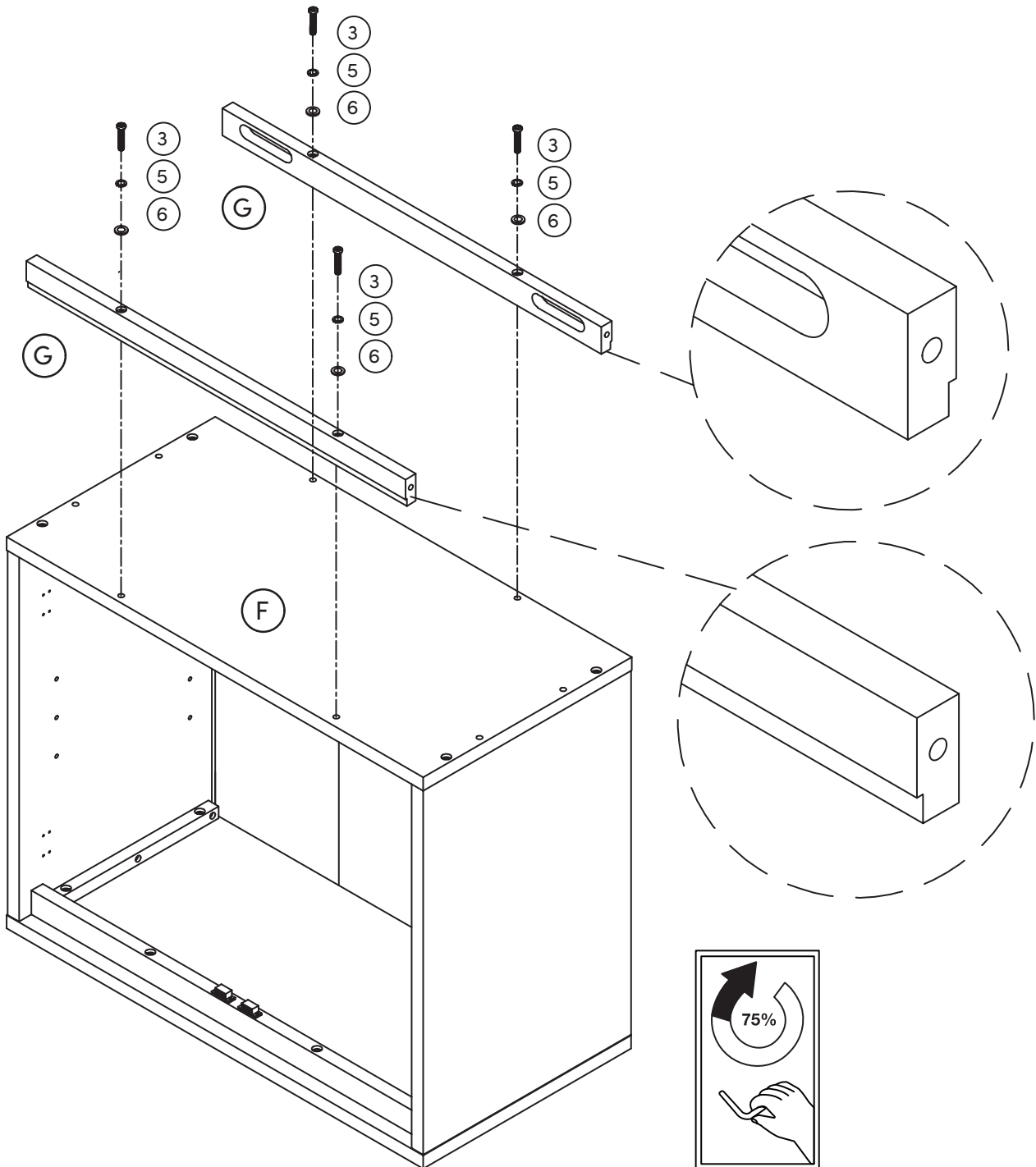
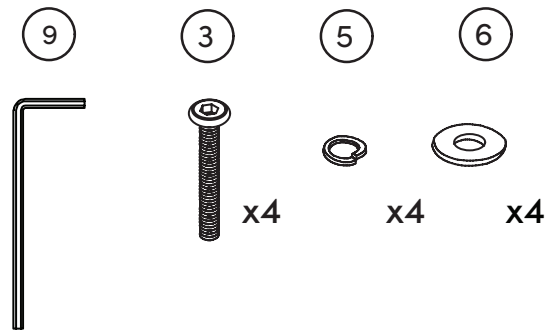
Step 6

Bottoms up! Use the Wooden Dowels (10) to connect the Bottom Panel (F) to what you've built so far and then tighten at all four corners using Parts (3), (5), and (6). Don't forget about Parts (1), (5), and (6) near the top of the Bottom Panel (F).



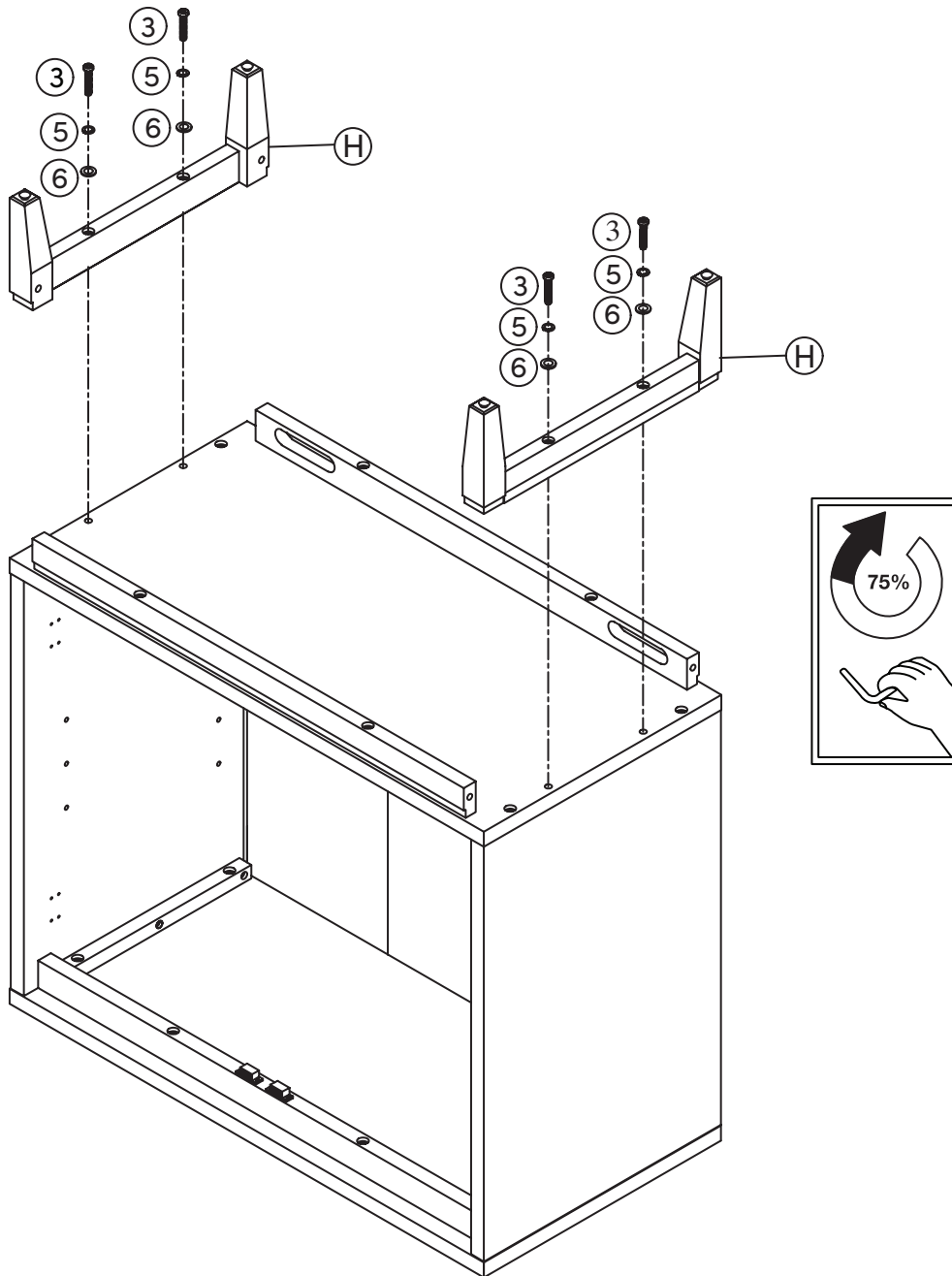
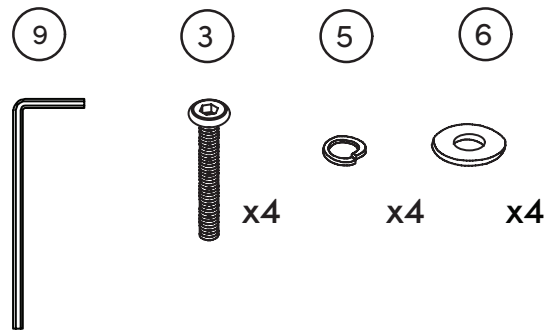
Step 7

Secure the Bottom Leg Frame Stretchers (G) to the unit using Parts (3), (5) and (6). Pay careful attention that the bottom stretchers are facing the correct way!



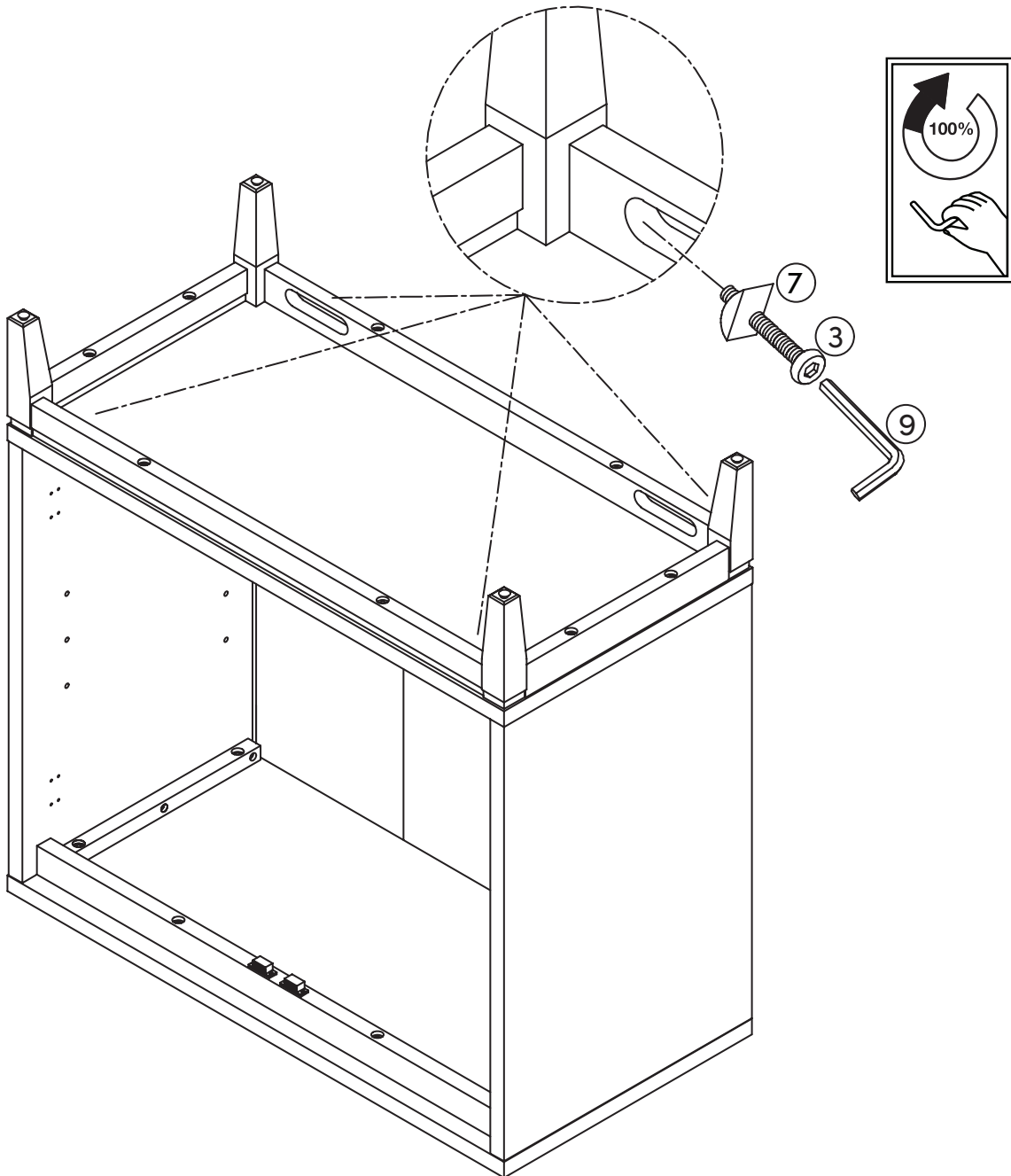
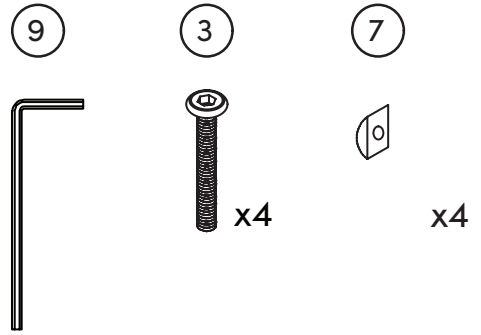
Step 8

You're halfway done! You know what they say, never skip leg day. Attach the Bottom Legs (H) to the unit using Parts (3), (5), and (6). Tighten only to 75% for now.



Step 9

At each of the four corners on the Bottom Leg Frame Stretchers, use the Allen Key (9) to secure a Crescent Spacer (7) with a 1/4" x 2-3/16" Hex Button Head Bolt (3). Tighten these to 100%!



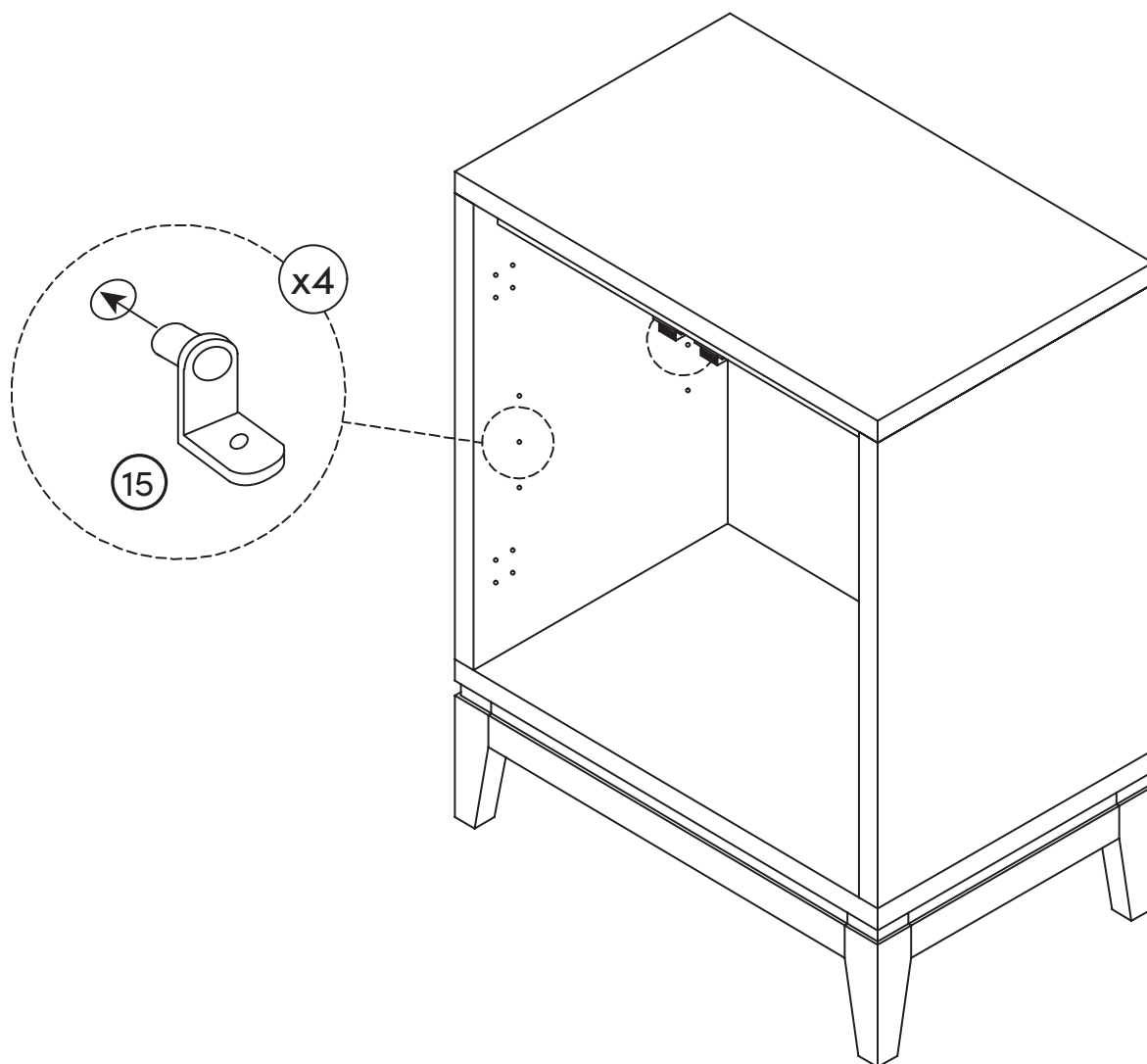
Step 10

Carefully push in four Shelf Pins (15) at your desired shelf height.

15



x4



Step 11

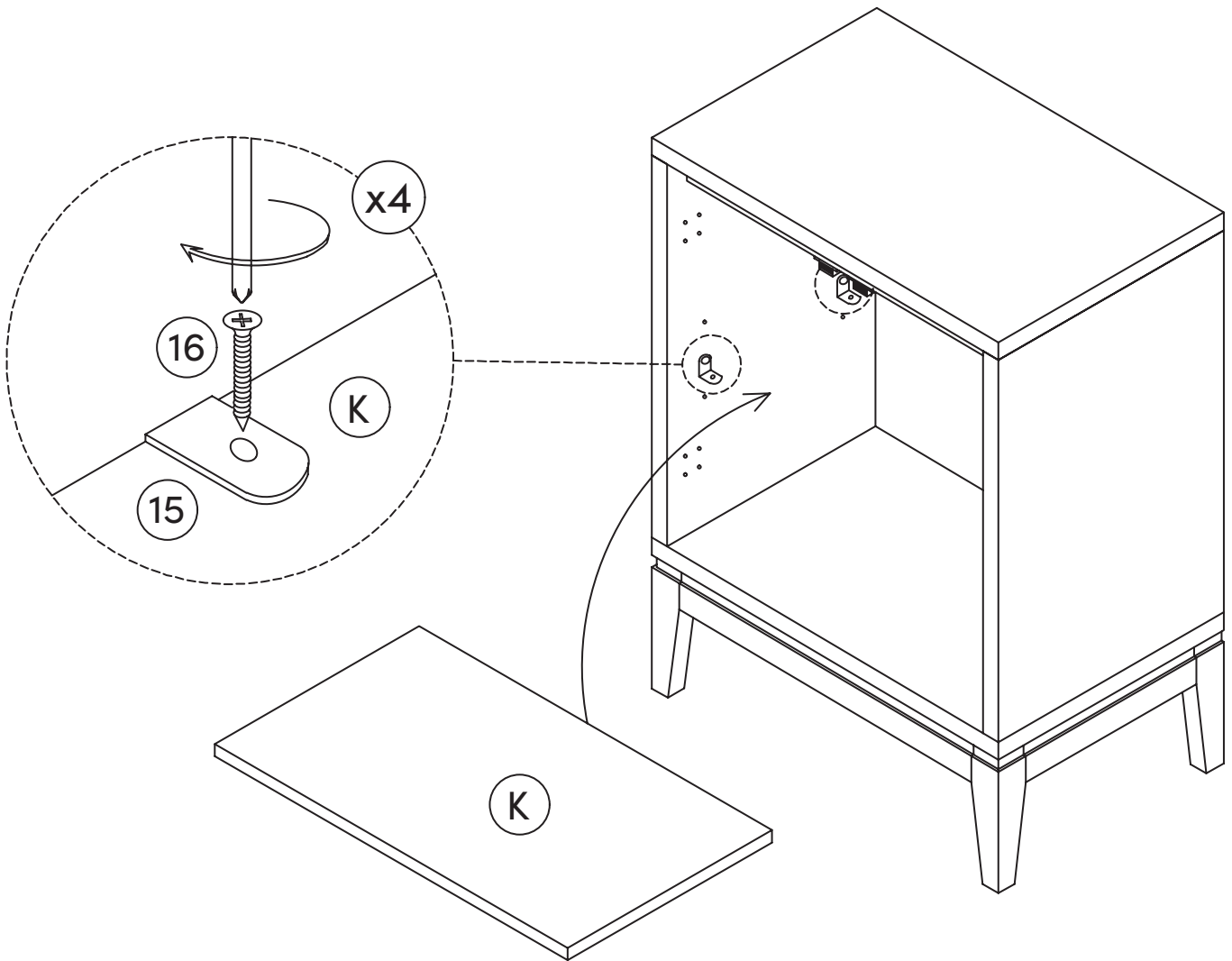
Place the Shelf (K) on top of the Shelf Pins (15) from Step 10, and secure using four M3*12MM Screws (16).



16



x4

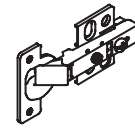


Step 12

Attach the two Hinges (13) to the Left (L) and Right (M) doors using four M4*15MM Screws (14) and a Phillips head screwdriver.



13

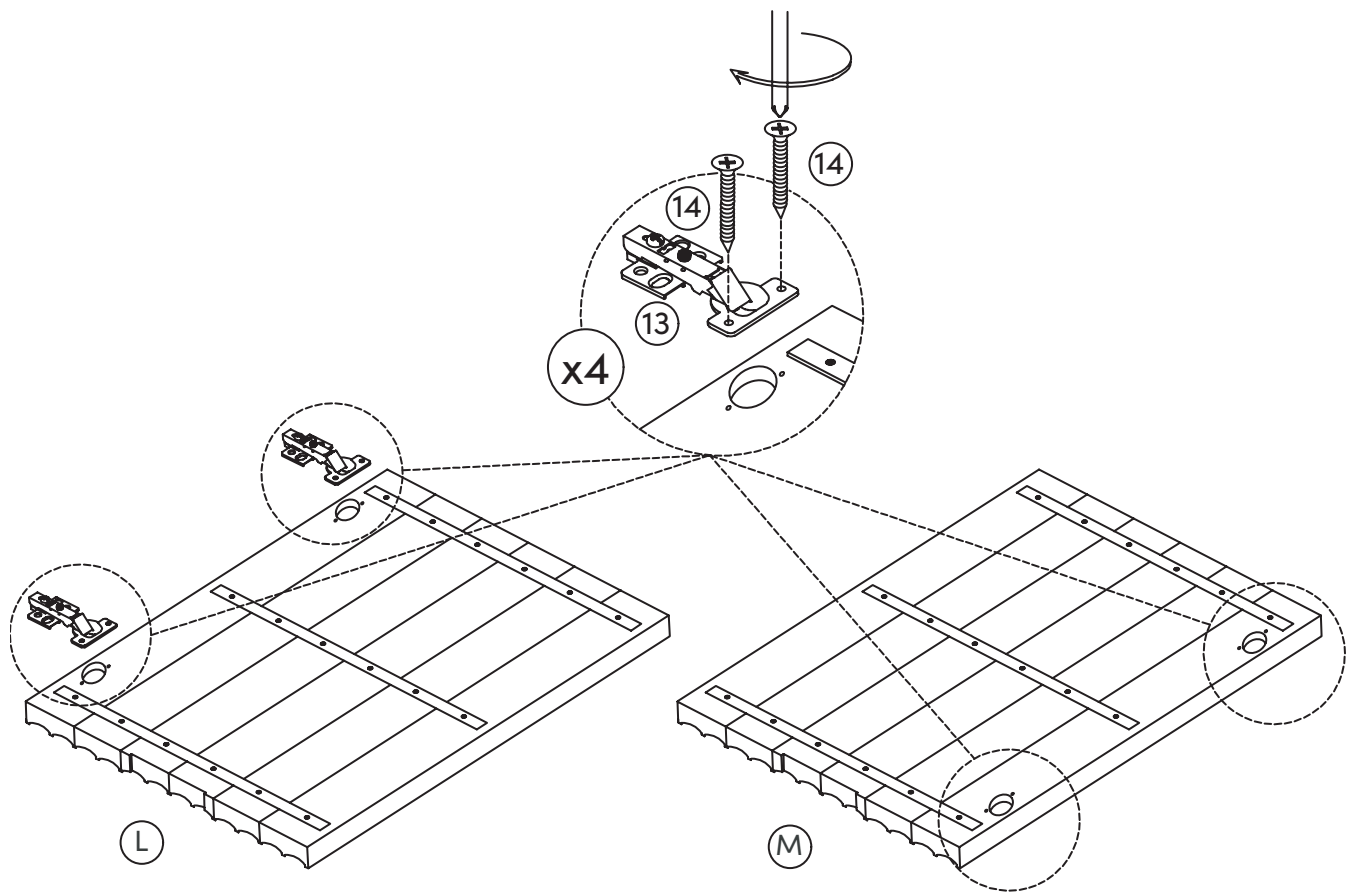


x4

14



x8



Step 13

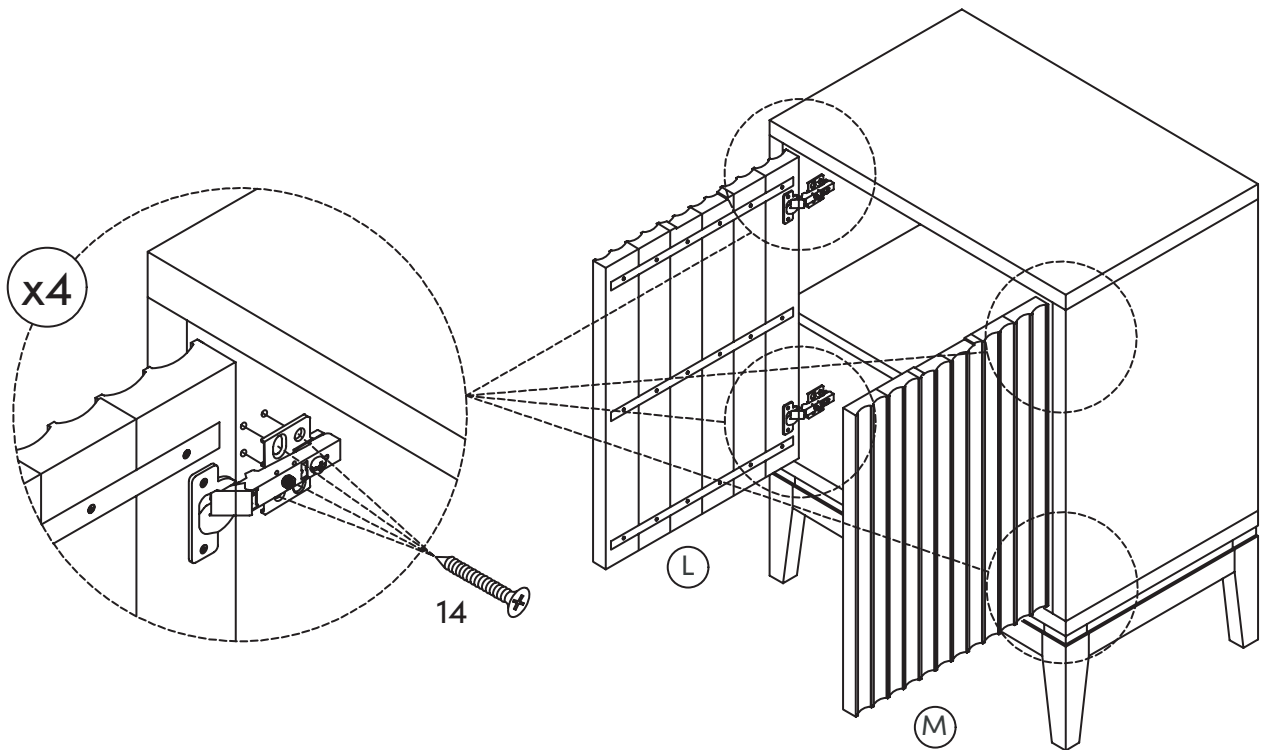
Next, secure the Left (L) and Right (M) doors by tightening the Hinges (13) to the unit with four M4*15MM Screws (14) per hinge.



14



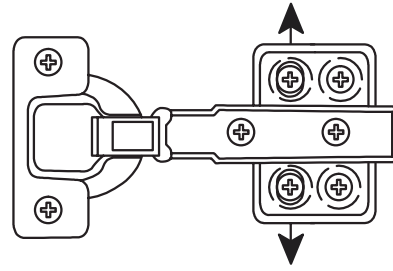
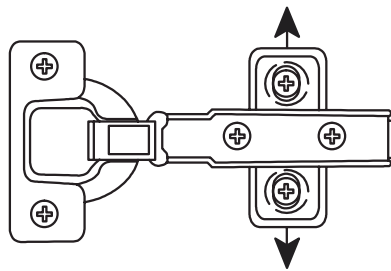
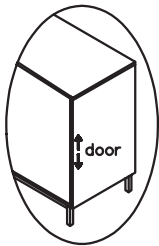
x16



Is your cabinet door looking crooked or unevenly spaced?

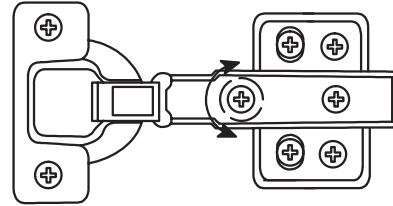
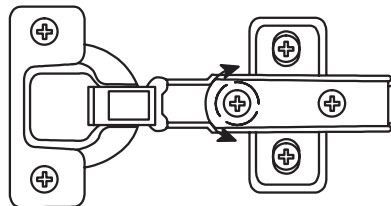
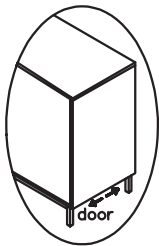
Then you've come to the right place. Follow the illustrations below to get your cabinet door aligned and ready for action.

If your door is too low or too high...



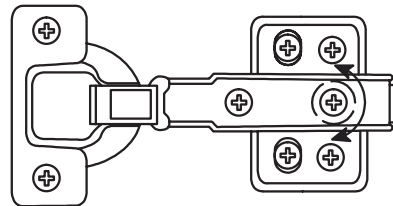
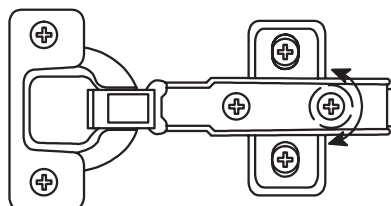
Loosen the height screws, then move the door up or down to make it level.

If the space between your doors is off...



Loosen the side-to-side screws, then screw counter-clockwise to make the gap wider or clockwise to close any gaps.

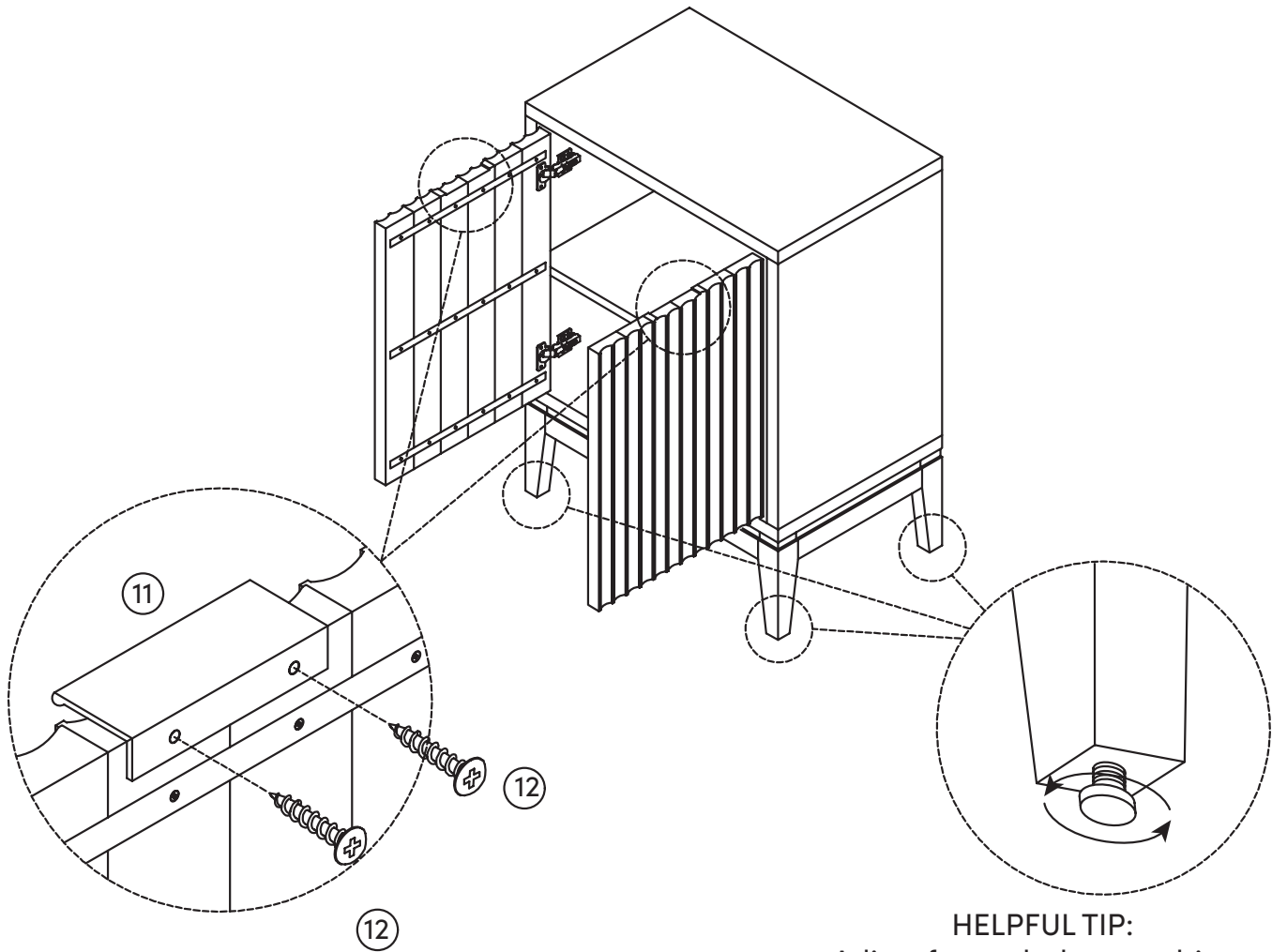
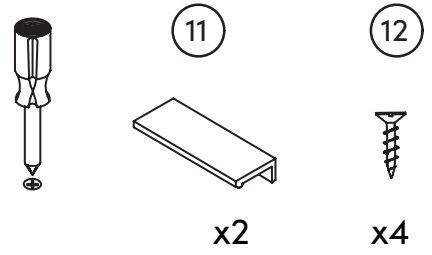
If you need to adjust the depth of the doors...



Adjust the in-and-out screws until the door is aligned with the side of the cabinet.

Step 14

Let's add those finishing touches!
Secure the Handles (11) onto the doors using two M3.5*15MM Screws (12) per Handle.

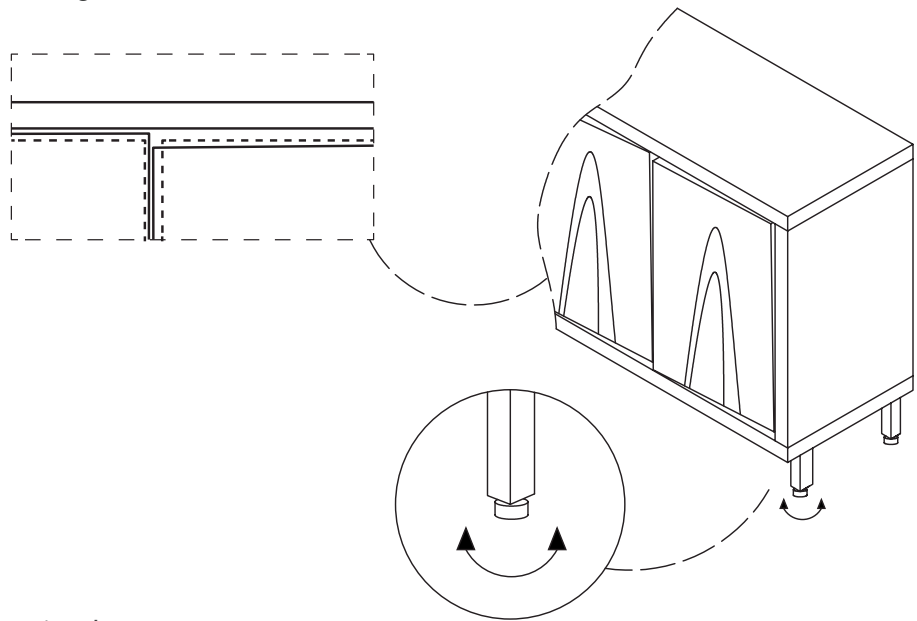


HELPFUL TIP:
Adjust feet to balance cabinet.

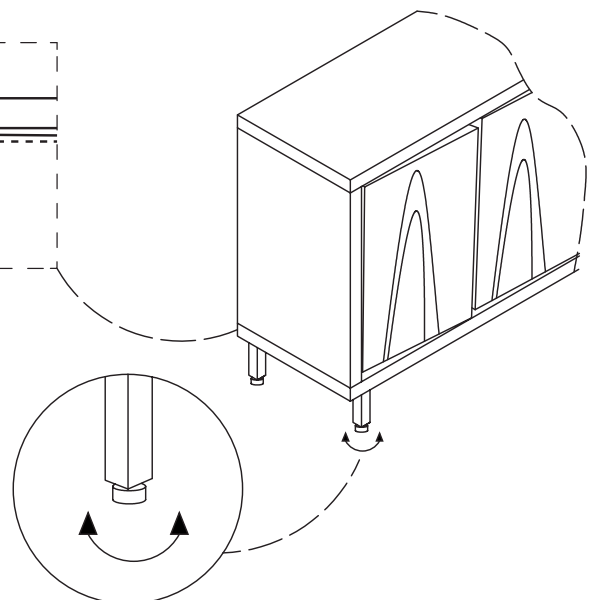
Is your cabinet door looking crooked or unevenly spaced? (Cont.)

If you're still having trouble lining everything up, your next step should be to try to adjust the feet slightly to square up the cabinet & doors. Follow the illustrations below:

If the right door appears to be hanging low, you can adjust the adjustable leveler on the front right until the door is better aligned.

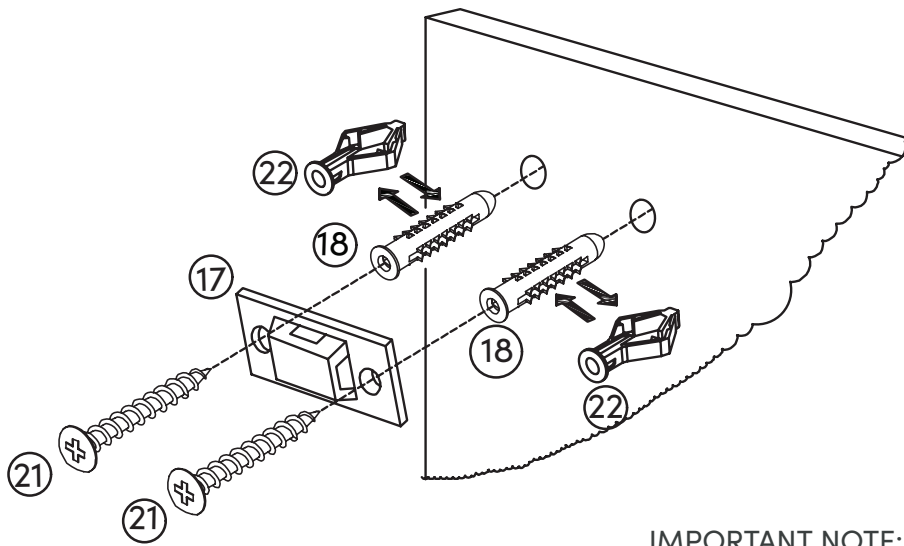
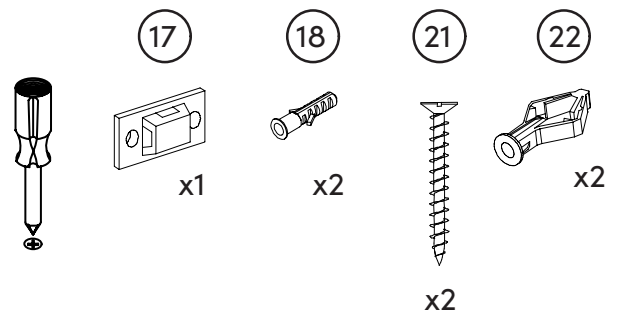


If the left door appears to be hanging low, you can adjust the adjustable leveler on the front left until the door is better aligned.



Step 15

Safety first! Let's get this storage unit secured to the wall. Find where you want this storage unit to live and then mount the Plastic Bracket (17) to the wall using the provided Wall Anchors (18) or (22) and M4*50MM Screws (21). We recommend using a 5/16" drill bit.

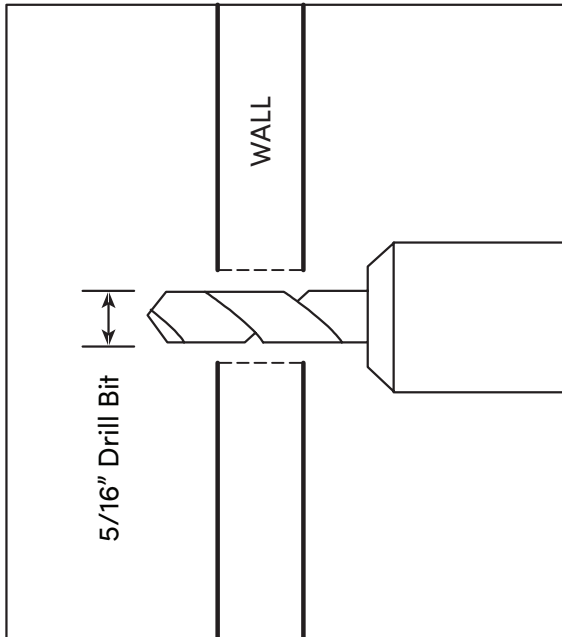


IMPORTANT NOTE:

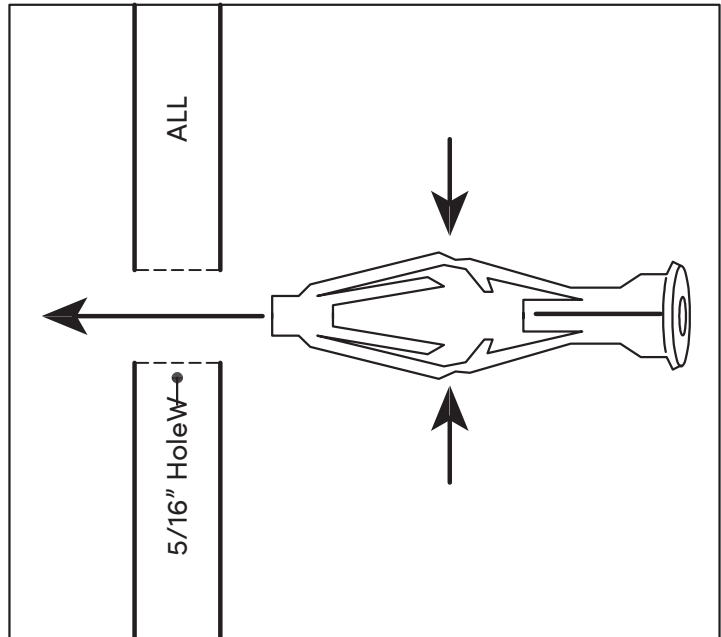
Non-Drywall Anchor (18) requires 1/4" Drill Bit

Drywall Anchor (22) requires 5/16" Drill Bit

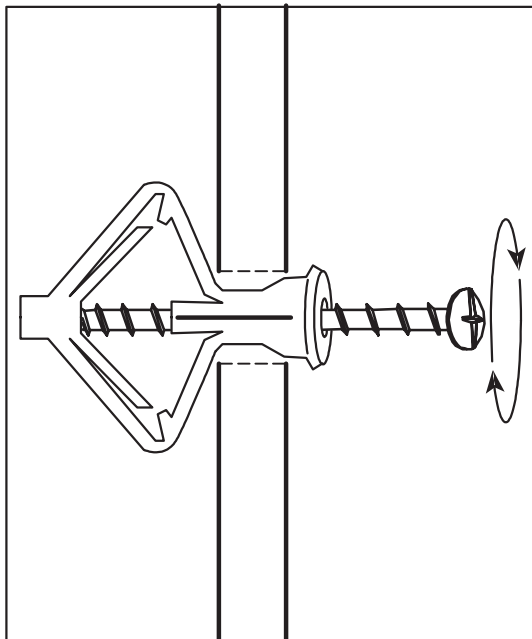
How to use Drywall Anchors



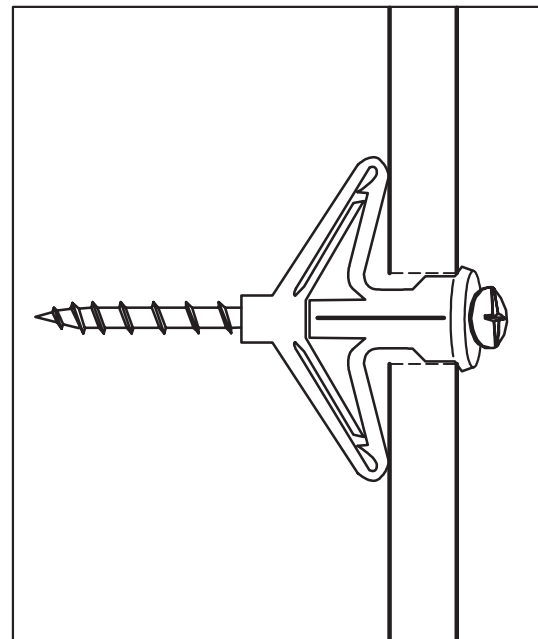
1. Drill hole with 5/16" bit.



2. Pinch and insert.



3. Begin tightening.

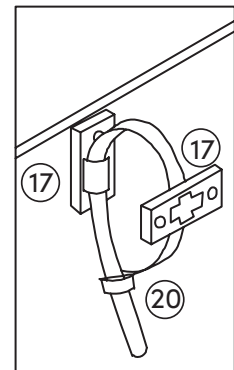
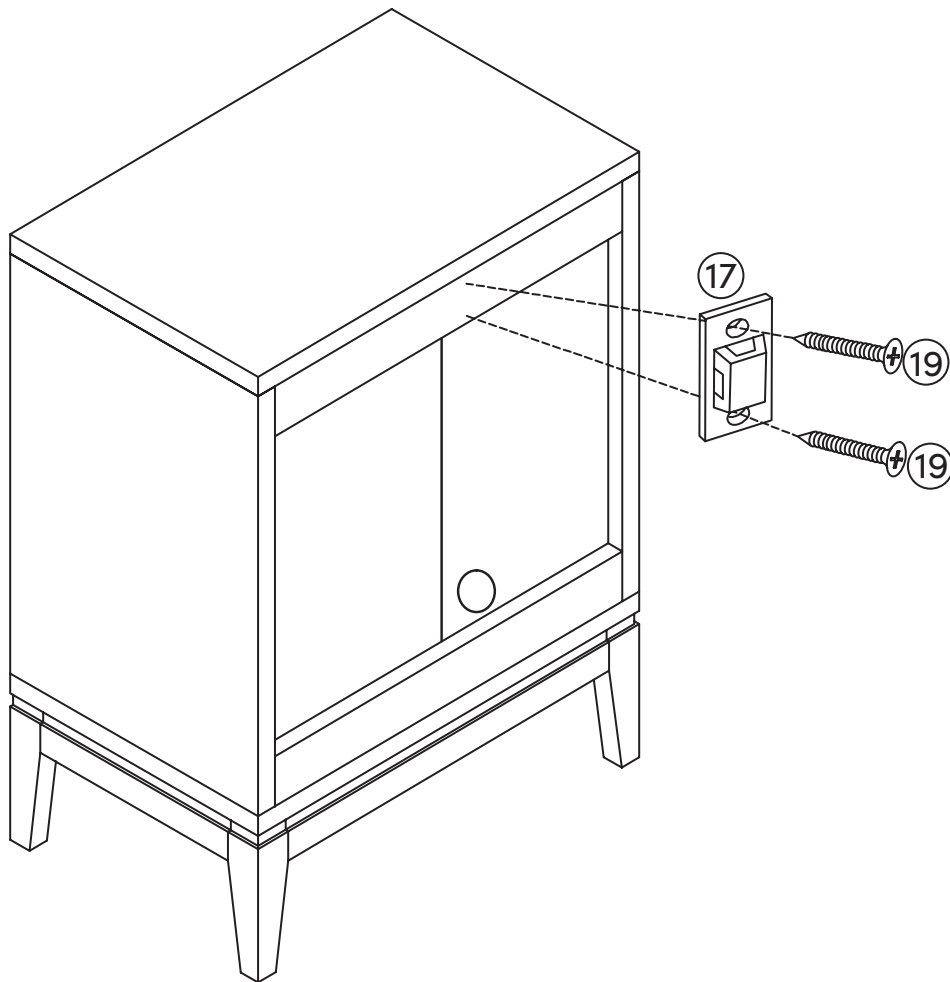
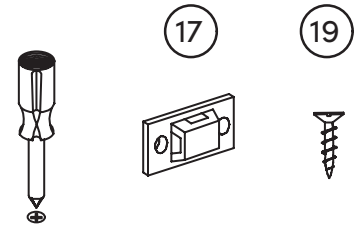


4. Anchor is secure when screw is tightened to 100%

Step 16

Secure the other Plastic Bracket (17) to the back of the storage unit using the M3.5*15MM Screws (19) and then secure the storage unit to the wall by looping the Plastic Tether (20) through both brackets.

You did it! Time for a celebratory pizza?
The answer to that is always yes!



Tether to the wall.

Our way



Give us a call



Replacement



You

Their way



Re-package item



Schedule pick up



Track package



Replacement



You

Safe use of this product starts with you.

Use this product responsibly with the primary concern for your safety. Follow assembly instructions carefully and inspect product upon receipt and each use.

Nathan James and its parent companies cannot be held legally responsible for any injuries or death resulted from failure to follow instructions or improper use of this product.

Do not modify the structure of this product in any way.

Our products have been tested to meet specific safety measures as they were originally intended to be sold. Any modifications will present the risk of creating significant safety issues which NJ will not be responsible for.

Proper use

- DO NOT** use for commercial purposes
- DO NOT** frolic on storage cabinet
- DO NOT** use storage cabinet as foot stool
- DO NOT** leave spilled liquid on cabinet
- DO NOT** use cabinet if damaged
- DO NOT** make temporary repairs
- DO NOT** use outdoors

We are only in business if you're happy

For starters, thanks for being you.

We do our best to ensure your furniture arrives without any problems, but occasionally mistakes happen—as humans we are imperfect beings. In the event that a part is damaged or missing, we will be more than happy to provide you with replacement part(s) for free.

Warranty

This product comes with a lifetime warranty from the date of purchase.