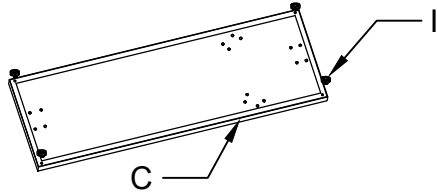


# ASSEMBLY INSTRUCTION FOR ACME FURNITURE

Model:#68255

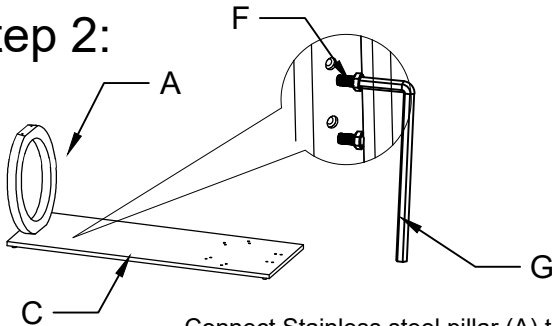
Thank you for purchasing this quality product, be sure to check all the packing materials carefully. When you received, please pay attention to the products, which may cause deformed during the shipment.

## step 1:



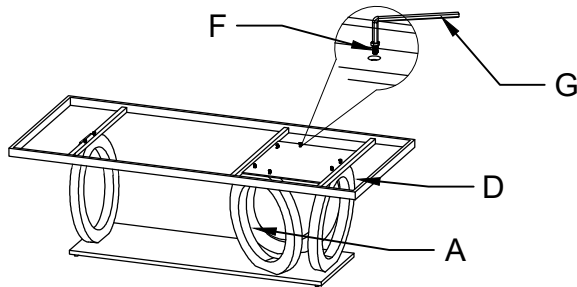
Fit the adjust legs (I) to bottom base

## step 2:



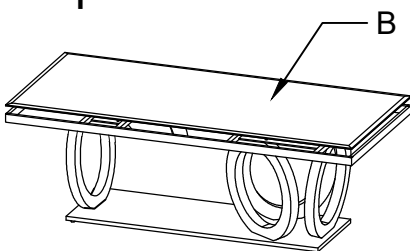
Connect Stainless steel pillar (A) to Stainless steel base (C) with Screw (F) M8X20, one by one

## step 3:



Connect Table top frame (D) to Stainless steel pillar (A) with Screw (F) M8X60

## step 5:



Assemble the Table top (B) on the frame by aligning all the corners gently

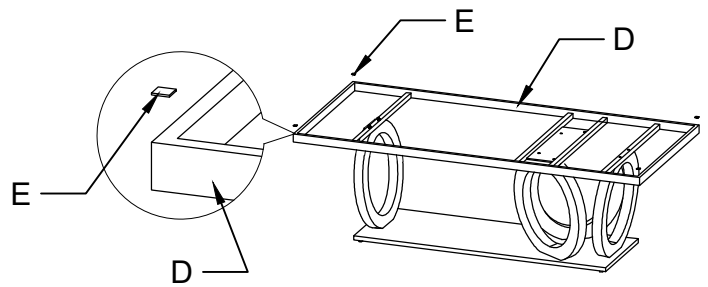
### PART LIST

NO.	Designation	Quantity	Diagram
A	Stainless steel pillar	4	
B	Table top	1	
C	Stainless steel base	1	
D	Table top frame	1	

### HARDWARE LIST

NO.	Designation	Quantity	Size	Diagram
E	Mat	6	19*19*2	
F	Screw	20	M8*20	
		4	M8*60	
G	Allen key	2	M5 M4	
H	Washer	24	Dia20	
I	Adjust leg	6	Dia20	

## step 4:



Stick the mat (E) on 4 corners of the Table Top frame (D)

Finished

