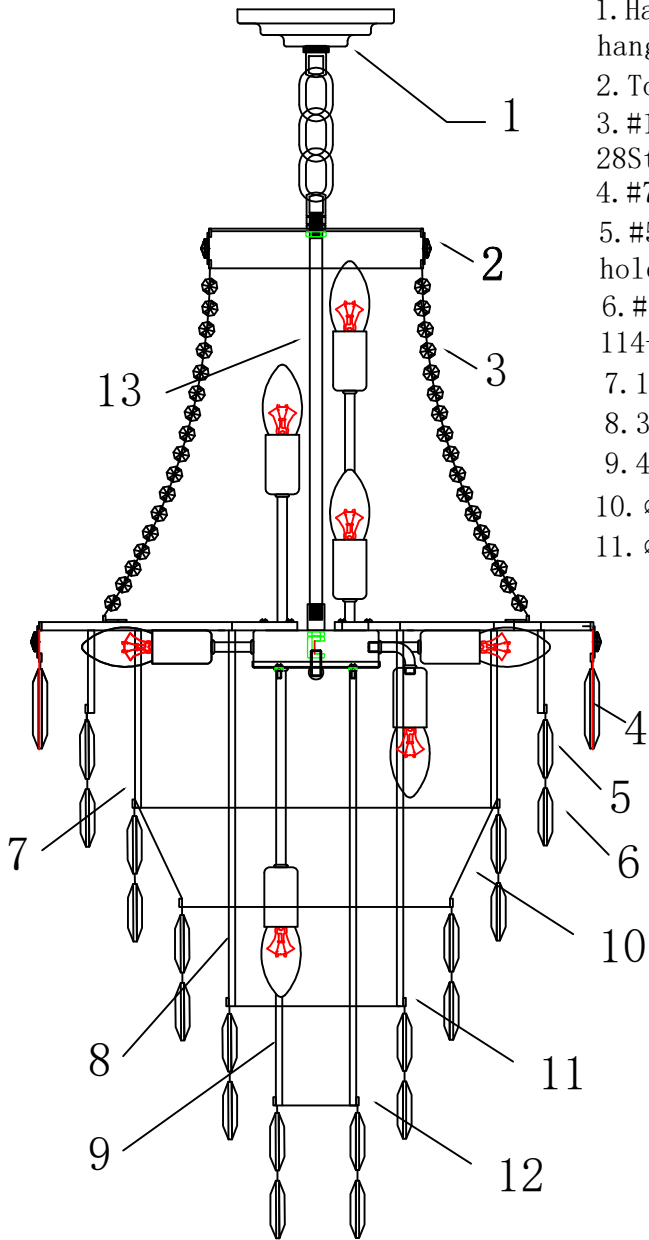


∅550*H980 chandelier

Details of accessories

1. Hanging chain hanging clock hanging plate set
2. Top Shelf with good crystal 1PCS
3. #14Star anise beads*17Beads 28Strings
4. #76Faceted crystal 46+4 PCS
5. #55Multi-faceted crystal double holes 114+6PCS
6. #55Polyhedral crystal single hole 114+6PCS
7. 170 Fang Zhi 3PCS
8. 360 Fang Zhi 3PCS
9. 415 Fang Zhi 3PCS
10. ∅352 Flat Iron Frame
11. ∅172 Flat Iron Ring
12. ∅82 Flat Iron Ring
13. 12*400 Water pipes 1PCS
14. Accessories package



Shelf installation procedure

Step 4. The number 2 parts on the good, then lock with buckets can be

Step 3. First twist a nut, twist to the end

Step One. Turn Part 13 into the socket (note the short teeth at the bottom)

Step 2.3 straight tube lamp cap cover, tighten the small screw can

Step 5. Lock the frame No. 10 to the lamp body with part No. 7

Step 6. Lock the Iron Ring No. 11 to the lamp body with part No. 8

Step 7. Lock the Iron Ring No. 12 to the lamp body with part No. 9

Step 8. Number one out, hanging plate with expansion screws, hanging lamp body

