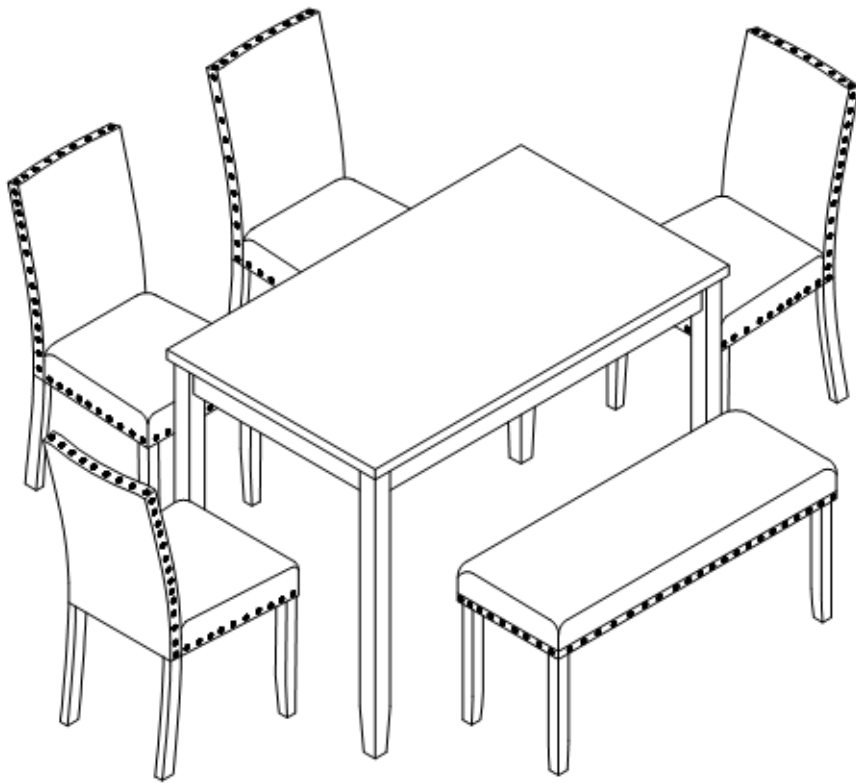


ASSEMBLY INSTRUCTIONS
COASTER FINE FURNITURE



Fine Furniture for every stage of life

150366
6pc Dining Set

ITEM: 150366

ASSEMBLY INSTRUCTIONS



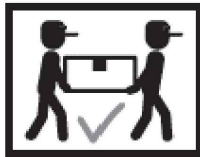
ASSEMBLY TIPS:

1. Remove hardware from box and sort by size.
2. Please check to see that all hardware and parts are present prior to start of assembly.
3. Please follow attached instructions in the same sequence as numbered to assure fast & easy assembly.



WARNING!

1. Don't attempt to repair or modify parts that are broken or defective. Please contact the store immediately.
2. This product is for home use only and not intended for commercial establishments.

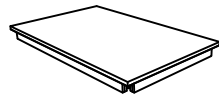


ASSEMBLY TIME

35 MINUTES

PARTS IDENTIFICATION

A TABLE TOP



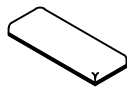
1PC

B TABLE LEG



4PCS

C BENCH CUSHION



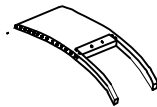
1PC

D LEG



12PCS

E CHAIR BACK FRAME



4PCS

F CHAIR SEAT CUSHION WITH FRAME



4PCS

HARDWARE IDENTIFICATION

1 SHORT BOLT
(Ø5/16" x 2-1/8" - RBW)



36PCS

2 LONG BOLT
(Ø5/16" x 3-1/2" - RBW)



16 PCS

3 LOCK WASHER
(Ø5/16" - RBW)



52PCS

4 FLAT WASHER
(Ø5/16" x 22mm - RBW)



52 PCS

5 ALLEN WRENCH
(M5 - RBW)



6PCS

6 WOOD DOWEL
(Ø10" x 30mm)



8 PCS

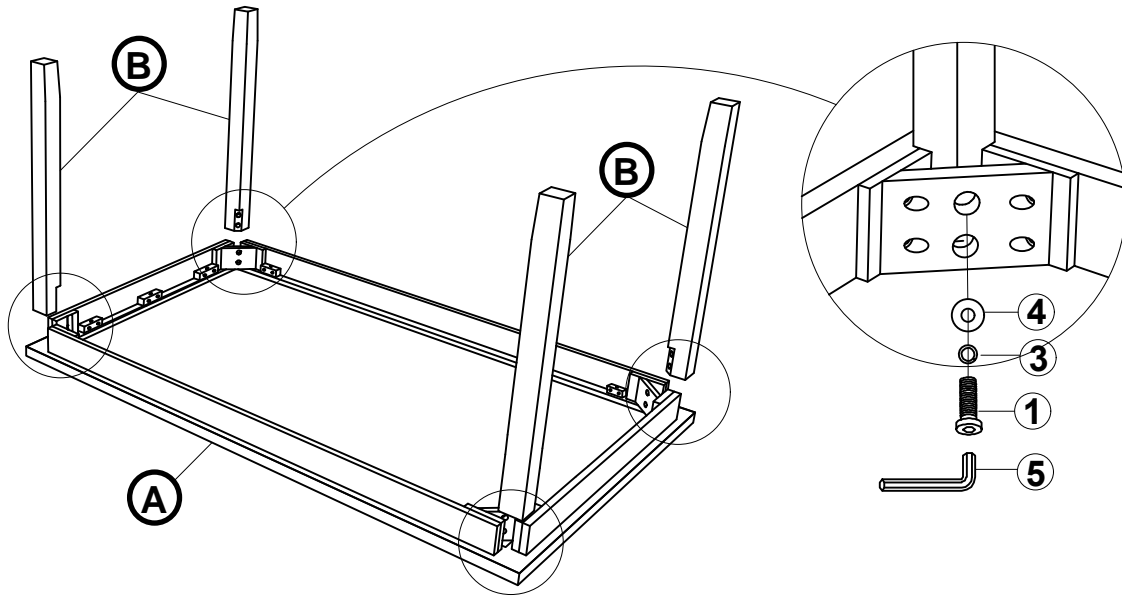
NOTE:

Phillips head screw driver is required in the assembly process; however, manufacturer does not provide this item.

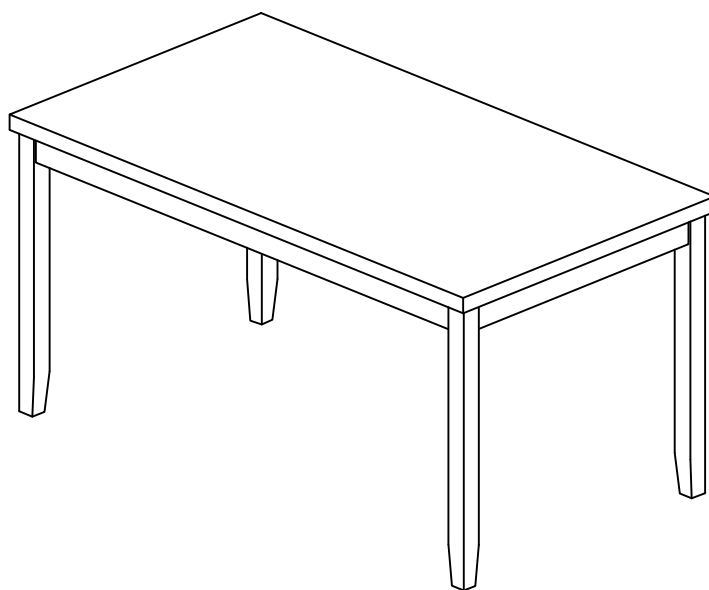
ITEM: **150366**
ASSEMBLY INSTRUCTIONS



STEP 1



STEP 2

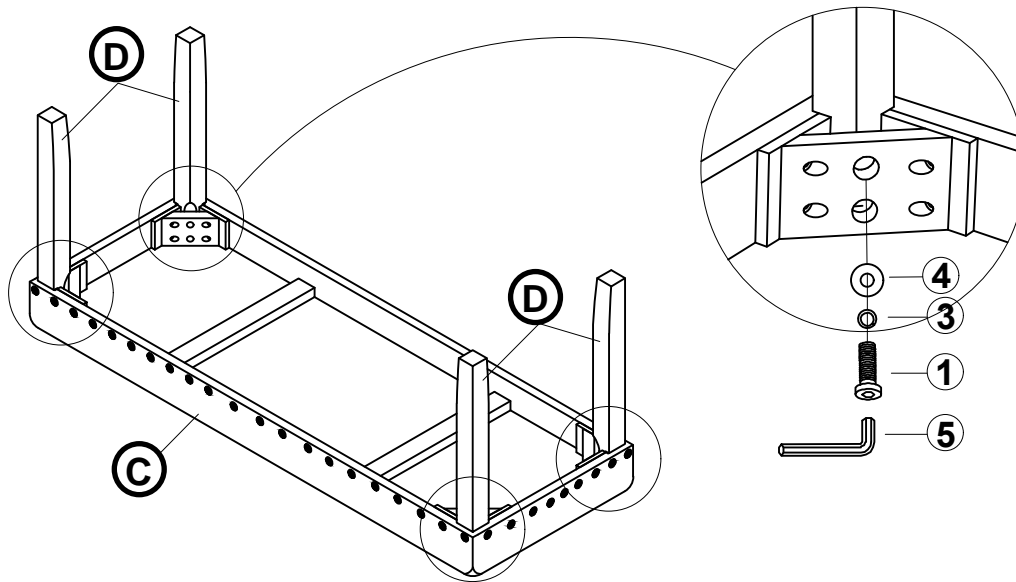


ITEM: **150366**

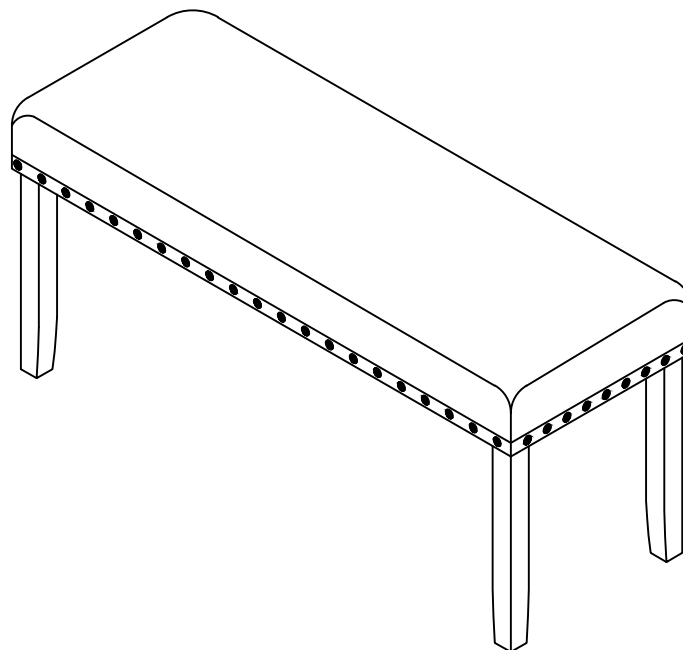
ASSEMBLY INSTRUCTIONS



STEP 3



STEP 4

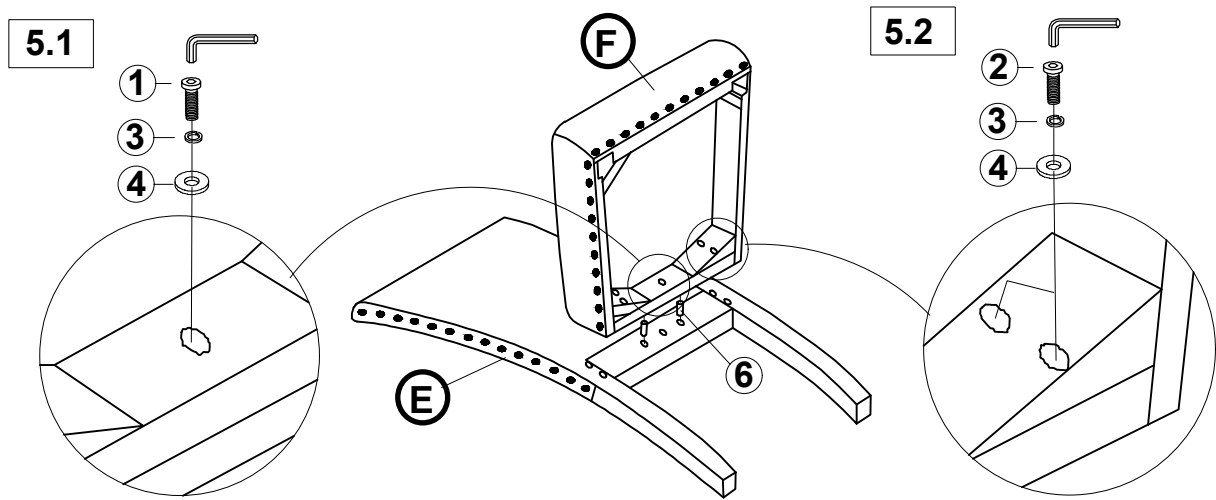


ITEM: **150366**

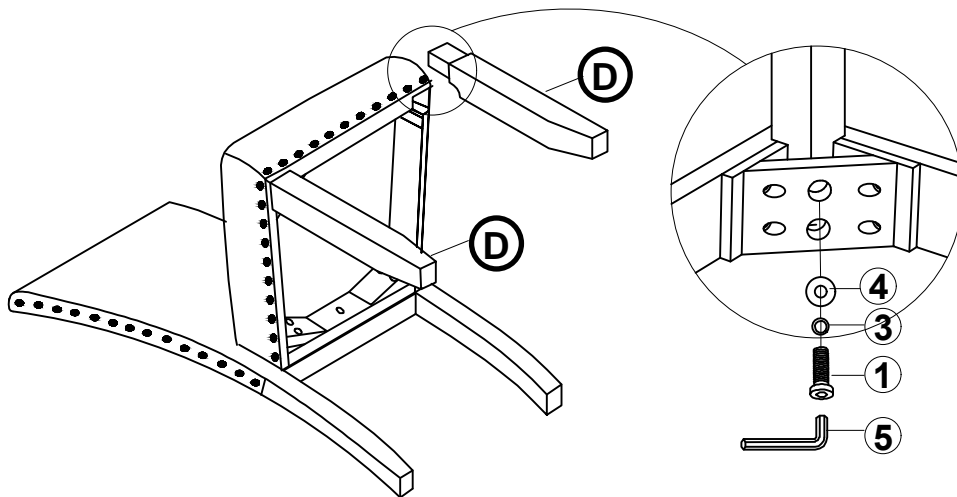
ASSEMBLY INSTRUCTIONS



STEP 5

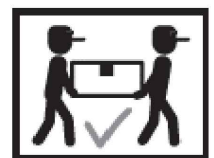
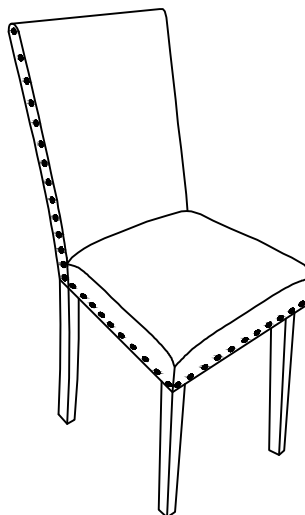


STEP 6

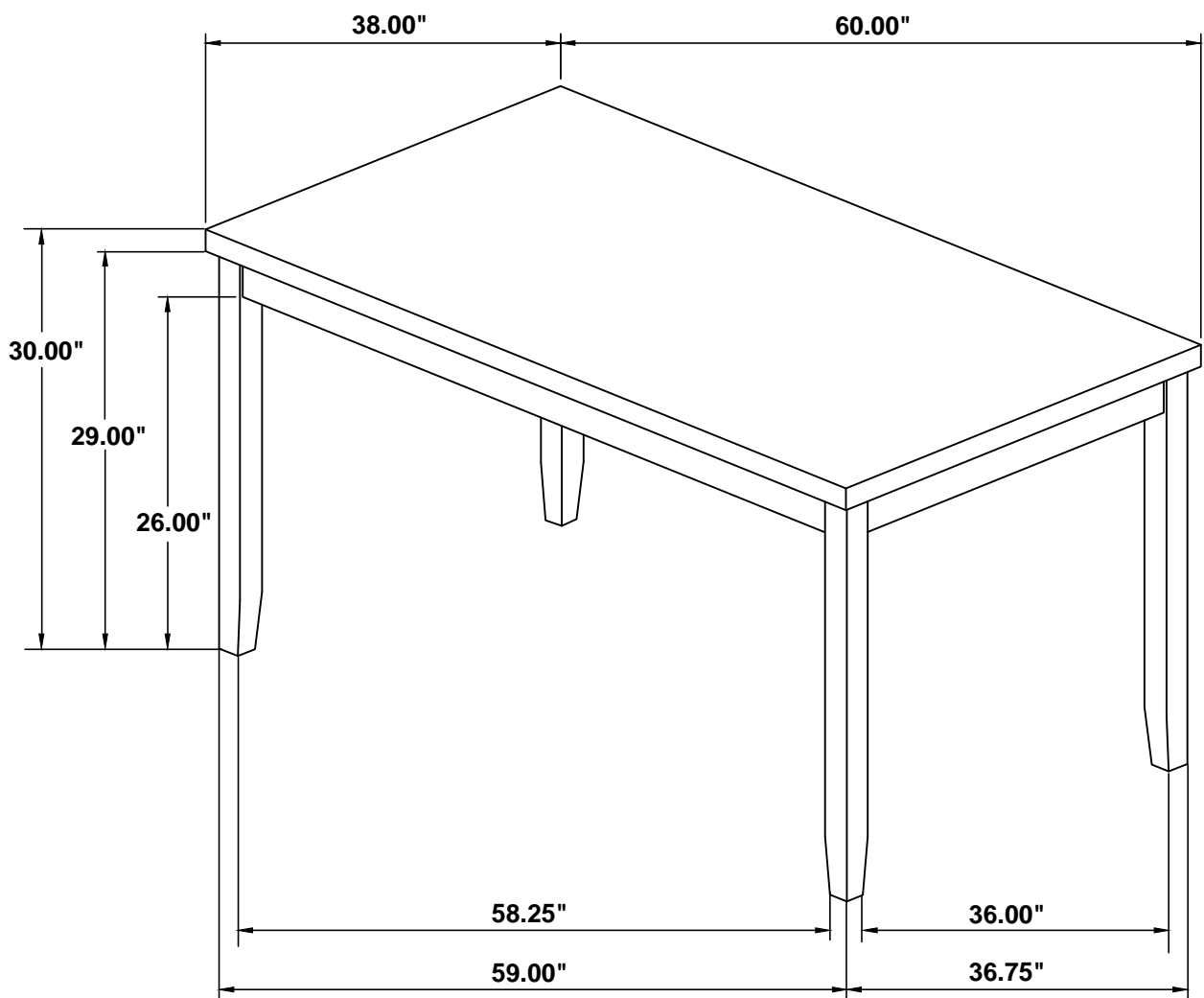


STEP 7

COMPLETE

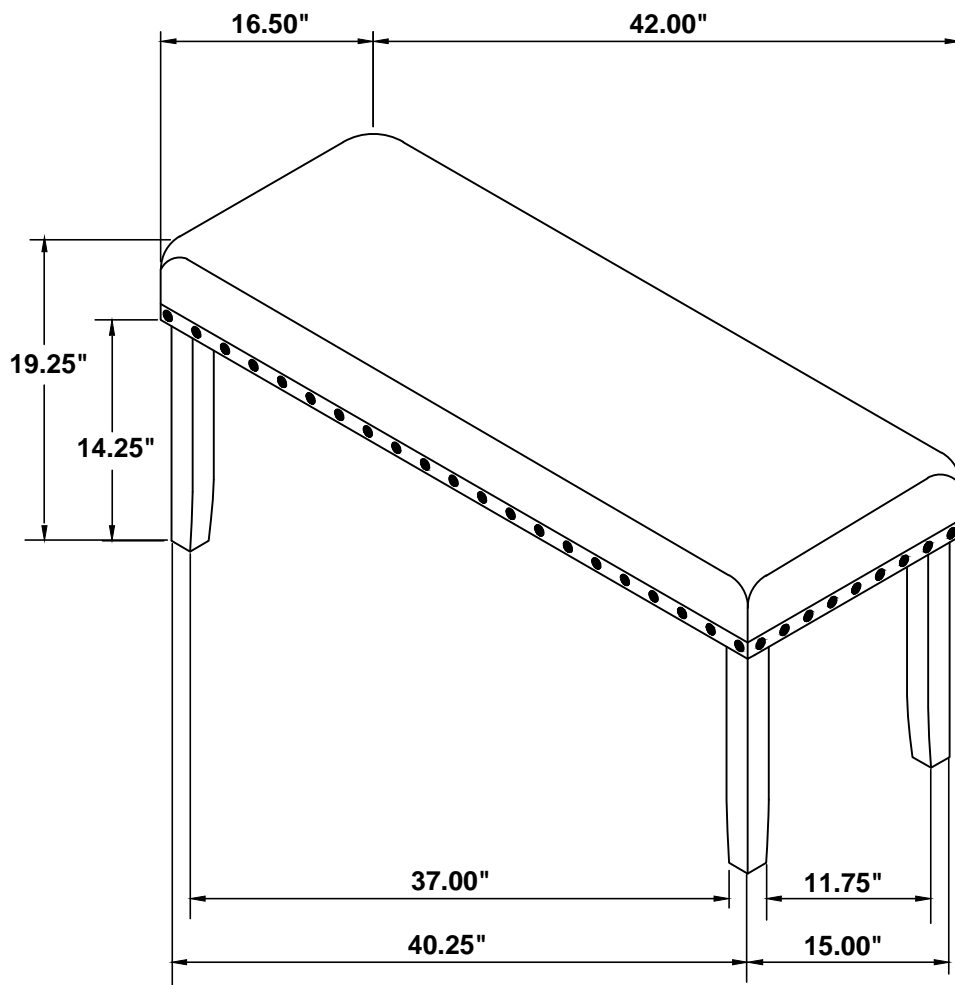


ITEM: **150366**



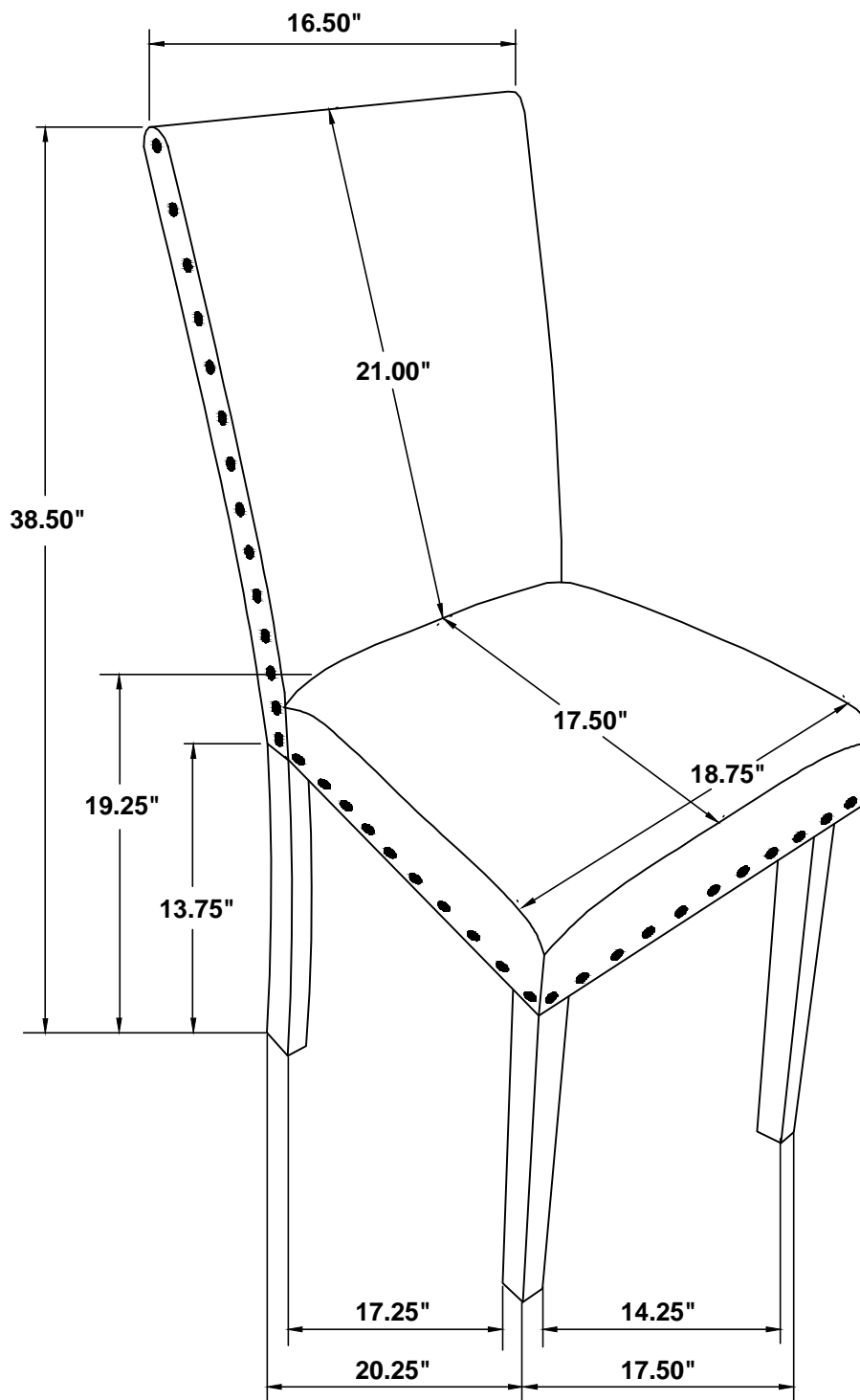
Note: Dimension tolerance $\pm 5\%$

ITEM: **150366**



Note: Dimension tolerance $\pm 5\%$

ITEM: **150366**



Note: Dimension tolerance $\pm 5\%$