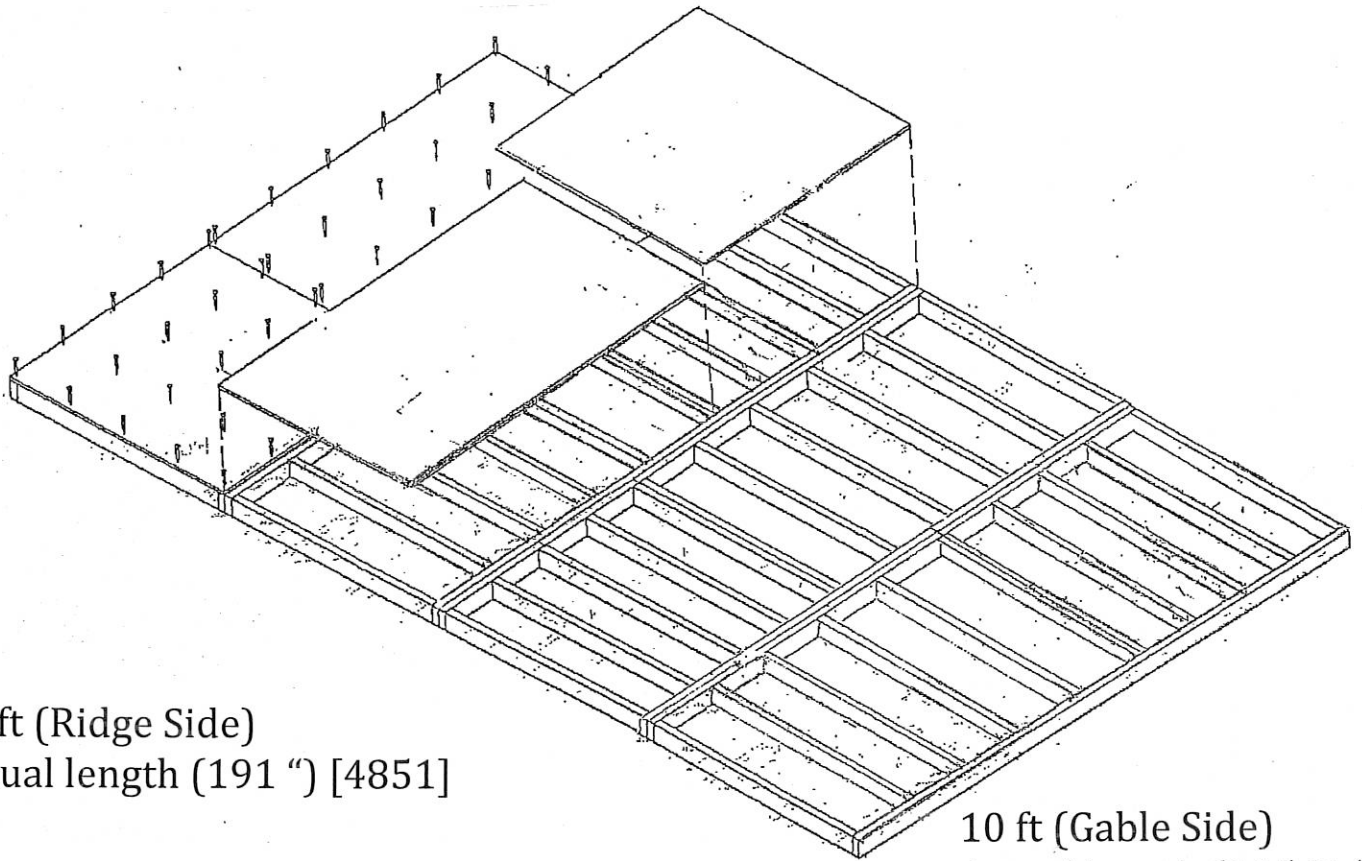


# FLOOR ASSEMBLY INSTRUCTIONS

## FOR THE 10 x 16 MODELS

(with or without 4 ft. gable porch)



16 ft (Ridge Side)  
Actual length (191 ") [4851]

10 ft (Gable Side)  
Actual length (115 ½ ")  
[2934]

PART #	DESCRIPTION	DIMENSIONS (where app.)	# OF PCS	
			no Gable Porch	w. Gable Porch
<b>FLOOR PARTS</b>				
P-2469	rim joist	2 x 4 x 69	8	8
P-2443G	floor joist	2 x 4 x 43 1/2	10	11
P-2445	floor joist	2 x 4 x 45	30	30
P-2446G	rim joist	2 x 4 x 46 1/2	8	8
P-G4B46G	joist trim	1/2 x 4 1/8 x 46 1/2	1	1
P-G4B34G	joist trim board	1/2 x 4 1/8 x 34 1/2	2	2
P-PL-I6948	plywood	5/8 x 69 x 48	3	3
P-PL-I46G48	plywood	5/8 x 46 1/2 x 48	3	3
P-PL-I6947	plywood	5/8 x 69 x 47	1	0
P-PL-I46G47	plywood	5/8 x 46 1/2 x 47	1	0
P-1469	deck boards	1 x 4 x 69	0	13
P-1446G	deck boards	1 x 4 x 46 1/2	0	13

## FOUNDATION PREPARATION

### PREPARE THE SITE:

Before you begin assembly, clear the construction area. Remove all organic material such as roots grass, dirt and large rocks that may compromise the ability to level the site. Make sure the ground slopes away from the site at least 10 ft. (3.05 m.) in all directions. If necessary, build up the centre of the site and slope away from the high point to provide drainage. Fill in any low spots within the perimeter of the site. Be sure to use gravel or a good packing material to level the site. Make sure it is packed down before beginning the building process.

### FIUNDATION CHOICES:

#### 1. Concrete Patio Stones (not included)

If the ground is stable and has sufficient drainage, you can set patio stones directly on a firm compacted gravel base. Make sure the stones are thick enough to allow air circulation under the structure. This helps to prevent dry rot from setting in on the joist. The bearing points are outlined in the next page of this manual.

#### 2. PRESSURE TREATED WOOD STRINGERS (not included)

A second option is to use 4x4 (90 mm x 90 mm) stringers which can run the full width of the structure. Be sure to use a stringer every 4 ft. For example for an 8x12 floor structure, you will need 4-8 ft. stringers. This reduces the amount of leveling needed as you only need to level each end of the stringer. However, it will increase the height of the shed and you may require a ramp or an additional step at the doorways.

#### 3. CONCRETE SLAB

Typically a slab 3"-4" (75 – 102 mm) thick laid over a subbase of 4" (102 mm) of gravel or crushed rock is sufficient but may vary (consult your local Home Centre). Either mix your own concrete or have it delivered to your site. A 10' x 10' x 4" (3.05 m. x 3.05 m. x 10.2 cm.) slab will require approximately 1 cubic yard (0.764 cubic metre) of concrete. In any case, make sure you excavate the slab area to a depth of 6" (15.2 cm.), use 4" (10.2 cm.) of gravel as your subbase. Welded wire mesh as reinforcing (optional) and 4" (10.2 cm.) of concrete (trowel to allow for drainage away from the centre high point). Still use 1" (2.54 cm.) thick patio stones on the concrete slab to allow adequate air circulation to keep the floor joist dry. This will prevent dry rot from setting in.

#### 4. POURING CONCRETE PIER POINTS USING SAUNA TUBES

Another option would be the pouring of concrete pier points using sauna tubes. Using the next page as a guide, place sauna tubes into the ground at each of the bearing points. Make sure the tops of the sauna tubes are level with the other. You may also wish to inbed metal straps into the concrete. These straps will be nailed to the joist structure.

## USE OF OUTDOOR RATED WOOD ADHESIVE

To add additional structural integrity to your CedarShed structure, a good outdoor rated wood adhesive can be used where panels and parts are joined together. This would include the following locations:

### GARDEN SHEDS

floor panels (plywood) to joist  
wall panels to floor structure  
header to wall panels  
wall panels to wall panels  
top plates to wall panels  
gable panels to wall panels  
roof panels to gable panels  
roof panels to top plates  
gussets to rafters

### GAZEBOS

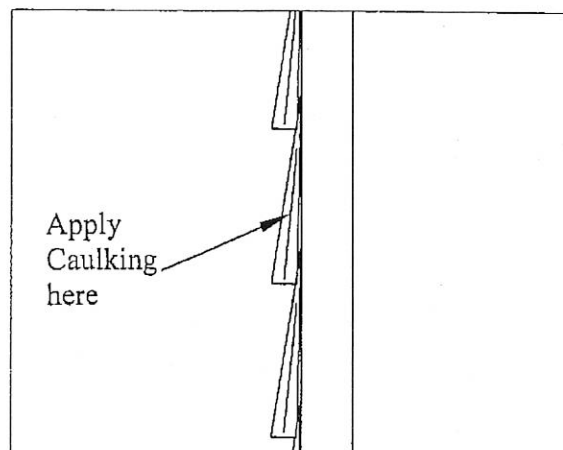
joist parts to joist parts  
deck boards to joist  
balusters to rail fillets  
rail fillets to rails  
rails to posts  
post to post  
header to posts  
rafters to headers  
rafter parts to rafter parts  
roof sheathing to rafters  
roof panels to rafters

**PLEASE NOTE:** If you plan on disassembling your CedarShed structure at a later date then an adhesive would not be recommended.

## USE OF OUTDOOR RATED LATEX CAULKING

During periods of heavy rain, water may weep into your CedarShed structure through the walls. To help prevent this from happening, a good quality latex caulking applied on the edge of the siding before affixing the trim boards is recommended. Please see the diagram below for details.

EDGE OF WALL PANEL  
CROSS SECTIONAL VIEW



When using power tools, ladders or any other tool, observe all safety precautions recommended by the manufacturer. Always use appropriate safety equipment, such as gloves, hearing and eye protection.

Customers agree to hold CedarShed Industries (1992) Inc. and any Authorized Dealer free of any liability for improper installation, maintenance and repair of any CedarShed product.

Some safety tips to consider include:

1. Roof snow load rating varies by geographical location. If a heavy or wet snowfall occurs, it is advisable to clear the snow off the roof.
2. If the structure is elevated above ground, local building code requirements are solely the owners responsibility and should be abided by.
3. In high or gusty wind conditions it is advisable not to use the structure and it may be advisable to keep the structure securely grounded.
4. Have a regular maintenance plan to ensure floors, walls, doors, windows, roofing members etc. are secure and ready from adverse weather conditions.
5. In some geographical regions, our products are not rated for human occupancy. Please check with local authorities if this is the intended use for our products..
6. It is important to first properly prepare and level the foundation to ensure the proper construction of CedarShed products. Please review the information in the assembly instruction manuals or our website, or alternatively, consult with a professional with knowledge on properly preparing a foundation.

Local conditions, personal construction abilities and other factors may effect the construction of any CedarShed product, so it is possible that your experience may differ from those presented in this manual, in our catalogues or on our websites.

Our customers love telling us their CedarShed stories and we are proud to hear them. Whether your story tells us of a satisfying experience (“pat on our backs”) and of a frustrating experience (we need to know to correct our mistakes), we want to hear them all. So please take a moment to tell us your story. Who knows, your story may be featured on our website or in our next catalogue.

Please visit our website at [www.cedarshed.com](http://www.cedarshed.com) for additional safety tips and other considerations to promote safe and enjoyable usage of your CedarShed product for years to come.

## WALLS TO ROOF ASSEMBLY INSTRUCTIONS (refer to separate enclosed manual)

The assembly instructions for the structure from walls to roof is enclosed as a separate instruction manual. Once the floor structure is complete refer to the manual entitled “STANDARD SHED INSTRUCTIONS” to complete the rest of the project.

CedarShed Industries  
How to Build  
Panelized Garden Sheds

CedarShed's line of premium garden sheds consists of sheds with standardized wall and door panels that allow for ease of installation and customization of window and door placements. There are three instruction manuals that come with each shed kit:

- (1) provides the precut floor instructions for your particular size shed.
- (2) provides the standard instructions for all models, and
- (3) provides the instructions for panels and parts that are specific to the particular shed model you have purchased.

Should you have any questions or comments regarding our products or our instruction manuals, please contact us by email at [info@cedarshed.com](mailto:info@cedarshed.com) or by phone at 1-800-830-8033.

TOOLS REQUIRED

Garden tools for foundation and leveling of building site.  
Power drill & drill bits (1/16" drill bit)  
Stapler (use to secure insect screening and roofing felt).  
8 ft step ladders (2)  
3 ft carpenter's level  
Hammer  
Tape measure  
Pencil  
Crowbar

ADDITIONAL MATERIALS REQUIRED

Foundation or concrete patio stones

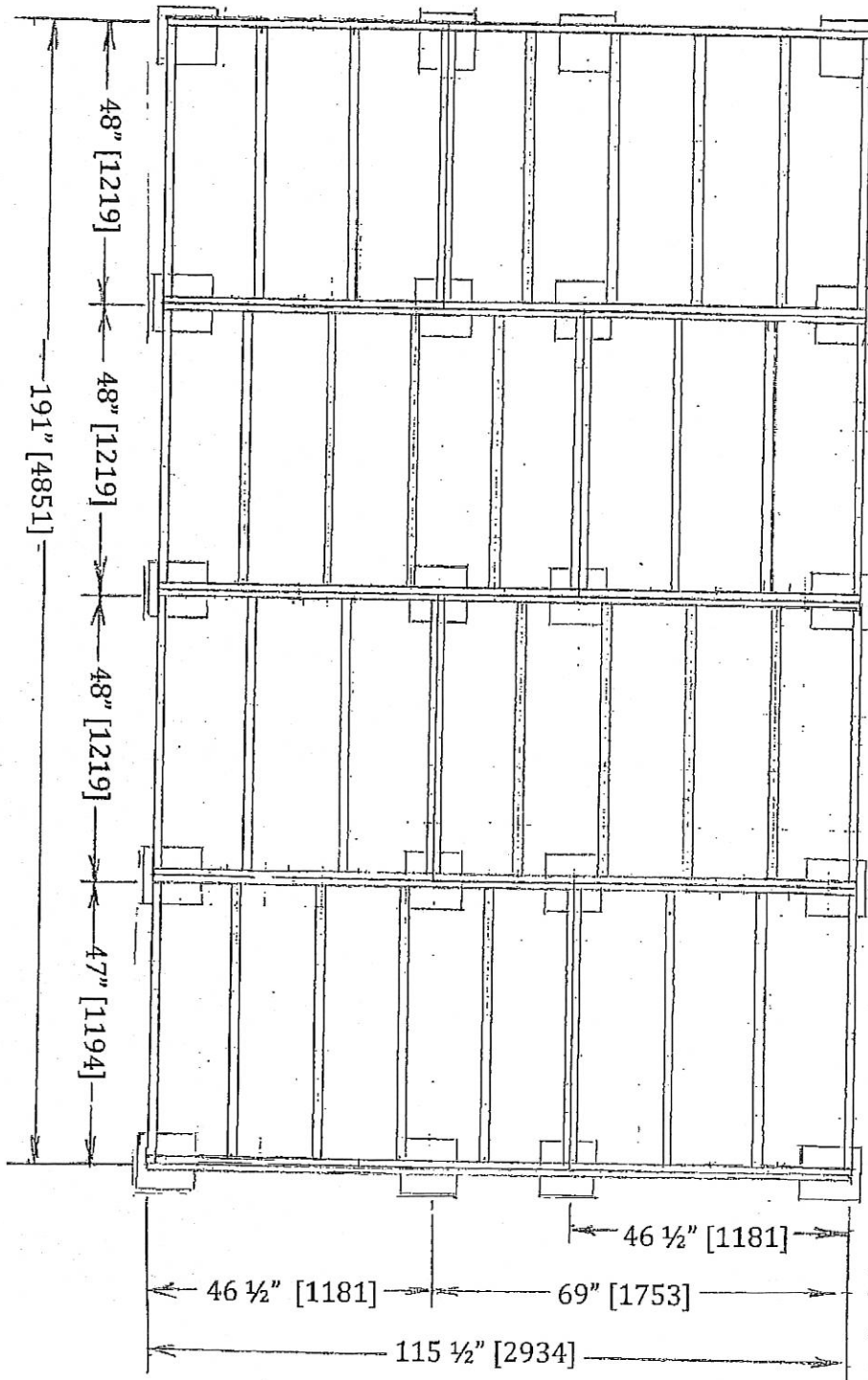
ASSISTANCE REQUIRED

A minimum of two people will be required to construct the building.  
A third person will be helpful when working on the roof structure.

SAFETY POINTS AND OTHER CONSIDERATIONS

As a proud owner of a CedarShed product, we want you to safely enjoy it for many years to come. Our products are built for use based on proper installation on level ground and normal residential use. Please follow the Assembly Manual when building the structure and keep these manuals for future reference.

# FOUNDATION PREPARATION



Suggested stone placement  
for floor stabilization.

**NOTE:**

This layout shows 12" x 12" [305 x 305] patio stones with a 2" [51] exposure around the joist structure. Make adjustments where necessary.

1. Use a 2x3 or 2x4 straight piece of lumber on edge and a carpenter's level to level the perimeter patio stones first. Add and remove soil under each stone until it is flush with the bottom of the 2x4 as shown in Fig. F-1. Continue this procedure with all stones including the interior ones until you are satisfied that all stones are level to one another.

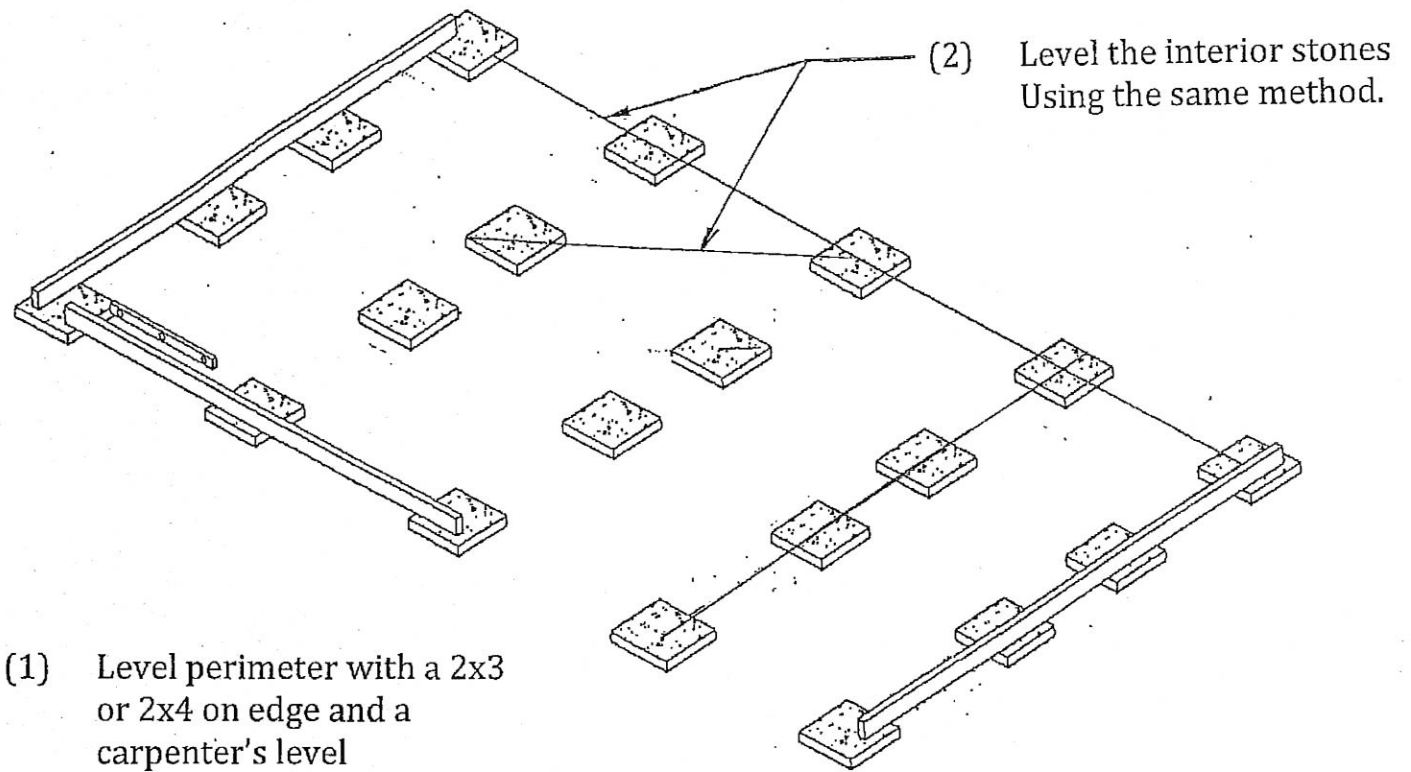
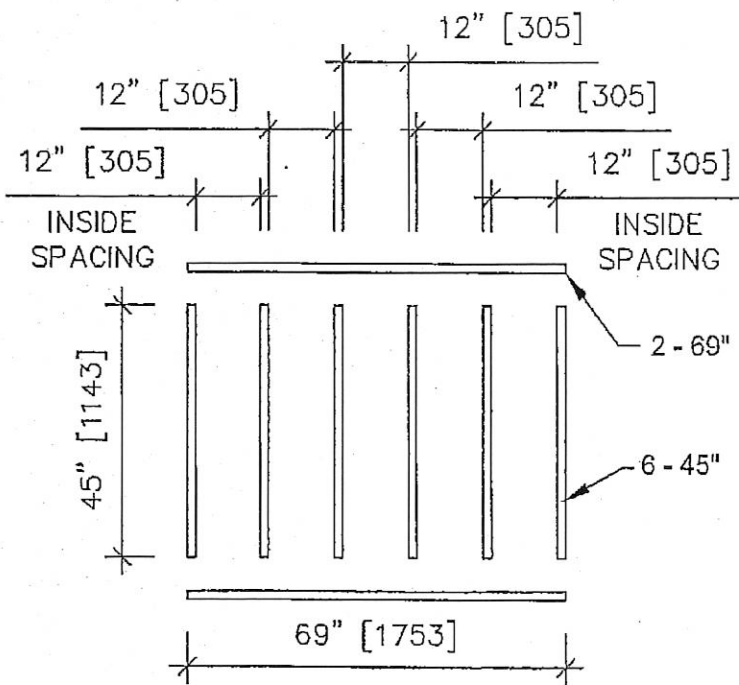


Fig F-1

# JOIST BOX ASSEMBLY

Lay the joist parts out as per Fig P1 - 1. Using 2 - 3" screws per joint, assemble the joist box together as per Fig P1 - 2. The completed joist box is pictured in Fig P1 - 3.



69" x 45" floor panel layout.  
Fig. P1 - 1

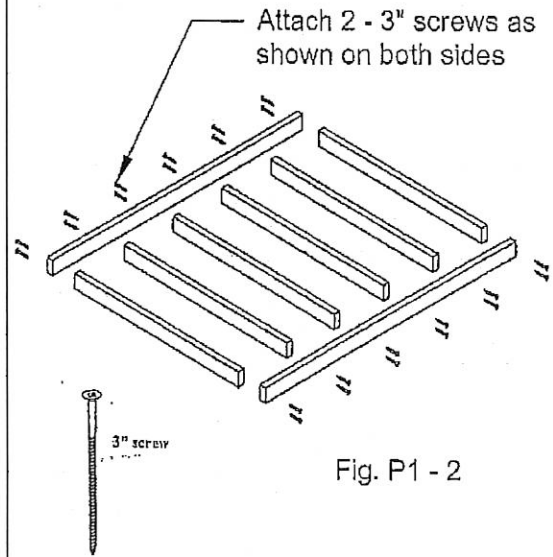


Fig. P1 - 2

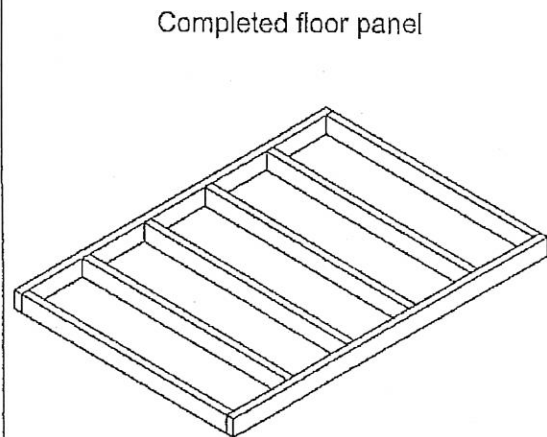
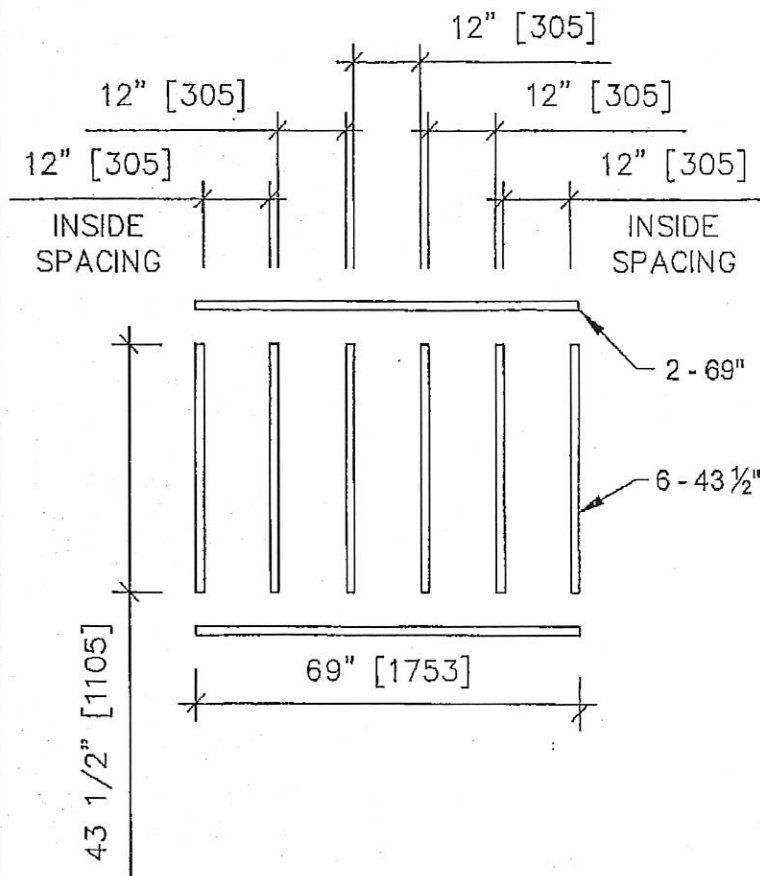


Fig. P1-3

# JOIST BOX ASSEMBLY

Lay the joist parts out as per Fig P7 - 1. Using 2 - 3" screws per joint, assemble the joist box together as per Fig P7 - 2. The completed joist box is pictured in Fig P7 - 3.



69" x 46 1/2" floor panel layout.  
Fig. P7 - 1

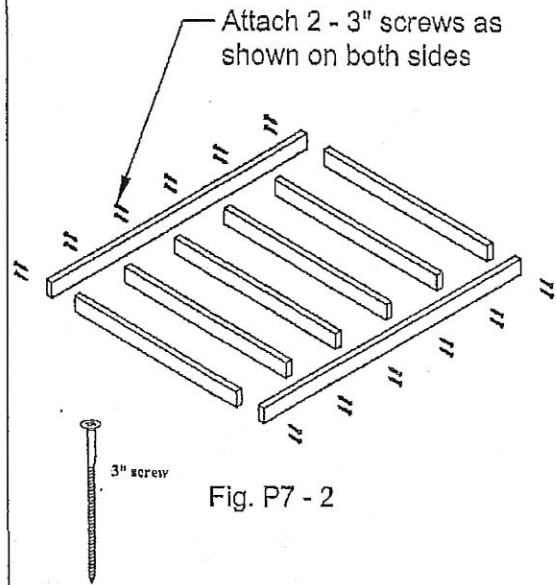


Fig. P7 - 2

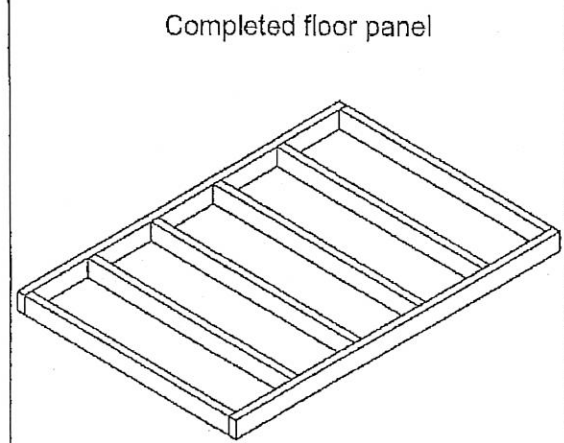
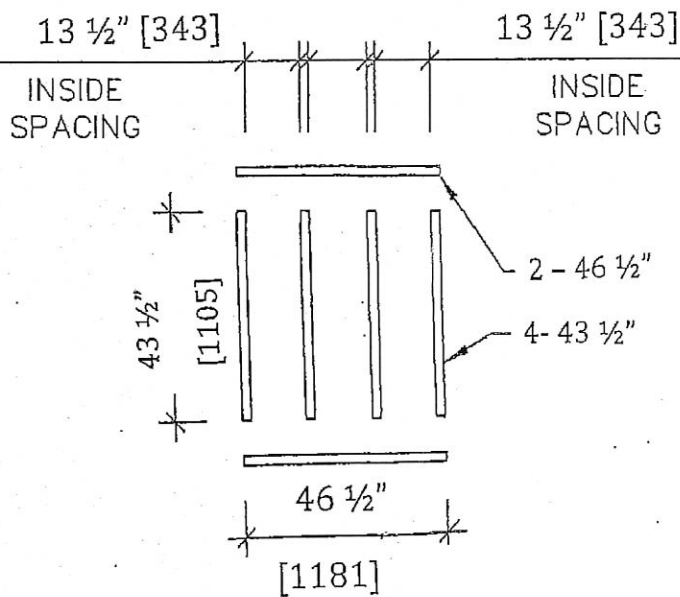


Fig. P7 - 3

# JOIST BOX ASSEMBLY

Lay the joist parts out as per Fig. P9-1. Using 2- 3" screws per joint, assemble the joist box together as per Fig P9-2. The completed joist box is pictured in Fig. P9-3.



46 1/2" x 46 1/2" joist box layout

Fig P9-1

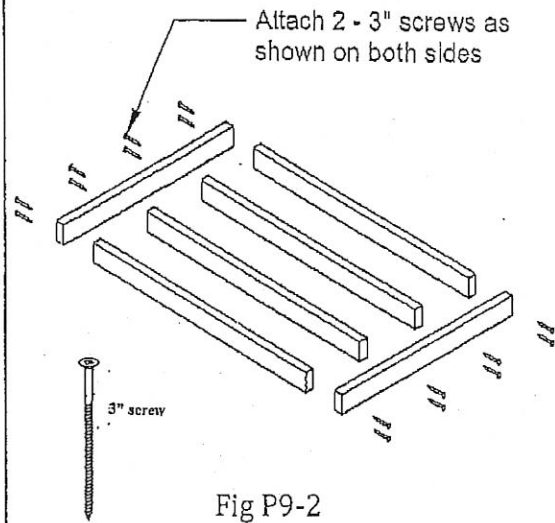


Fig P9-2

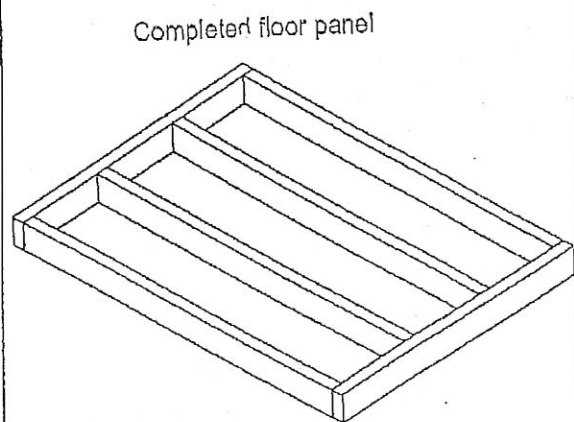
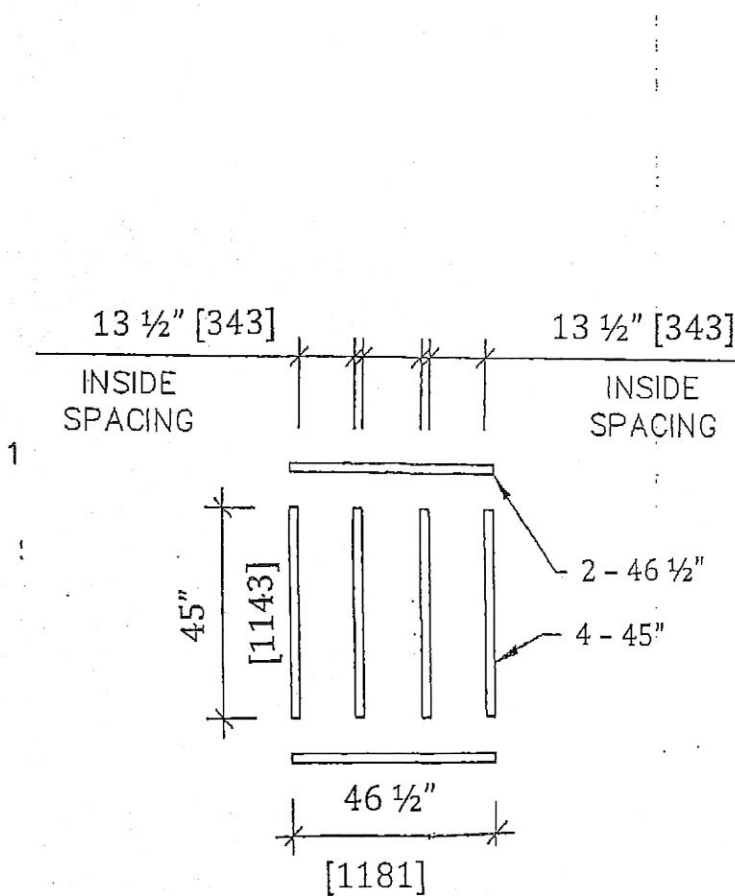


Fig P9-3

# JOIST BOX ASSEMBLY

Lay the joist parts out as per Fig. P10-1. Using 2- 3" screws per joint, assemble the joist box together as per Fig P10-2. The completed joist box is pictured in Fig. P10-3.



46 1/2" x 48" joist box layout

Fig P10-1

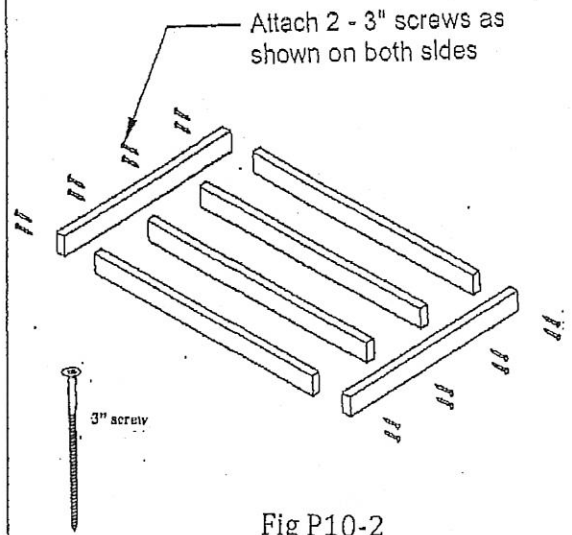


Fig P10-2

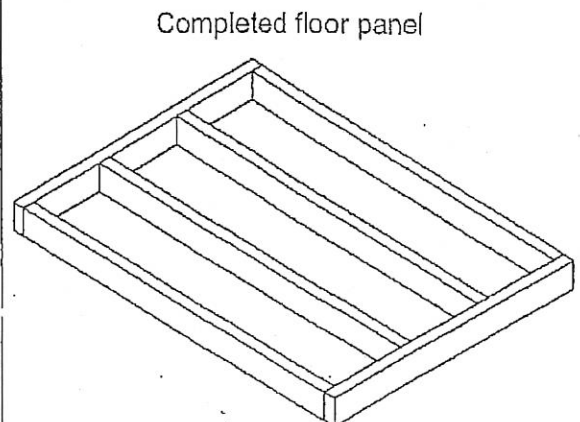


Fig P10-3

## Floor Structure

Take the floor joist boxes and lay them out and affix them to each other by using the 3" screws. Refer to Fig 2. For details.

It is very important at this stage to make sure the joist structure is level before continuing with the assembly of the walls and roof panels. If need be, adjust the height of the joist frame on the bearing points by using some of the packaging cedar pieces as shims.

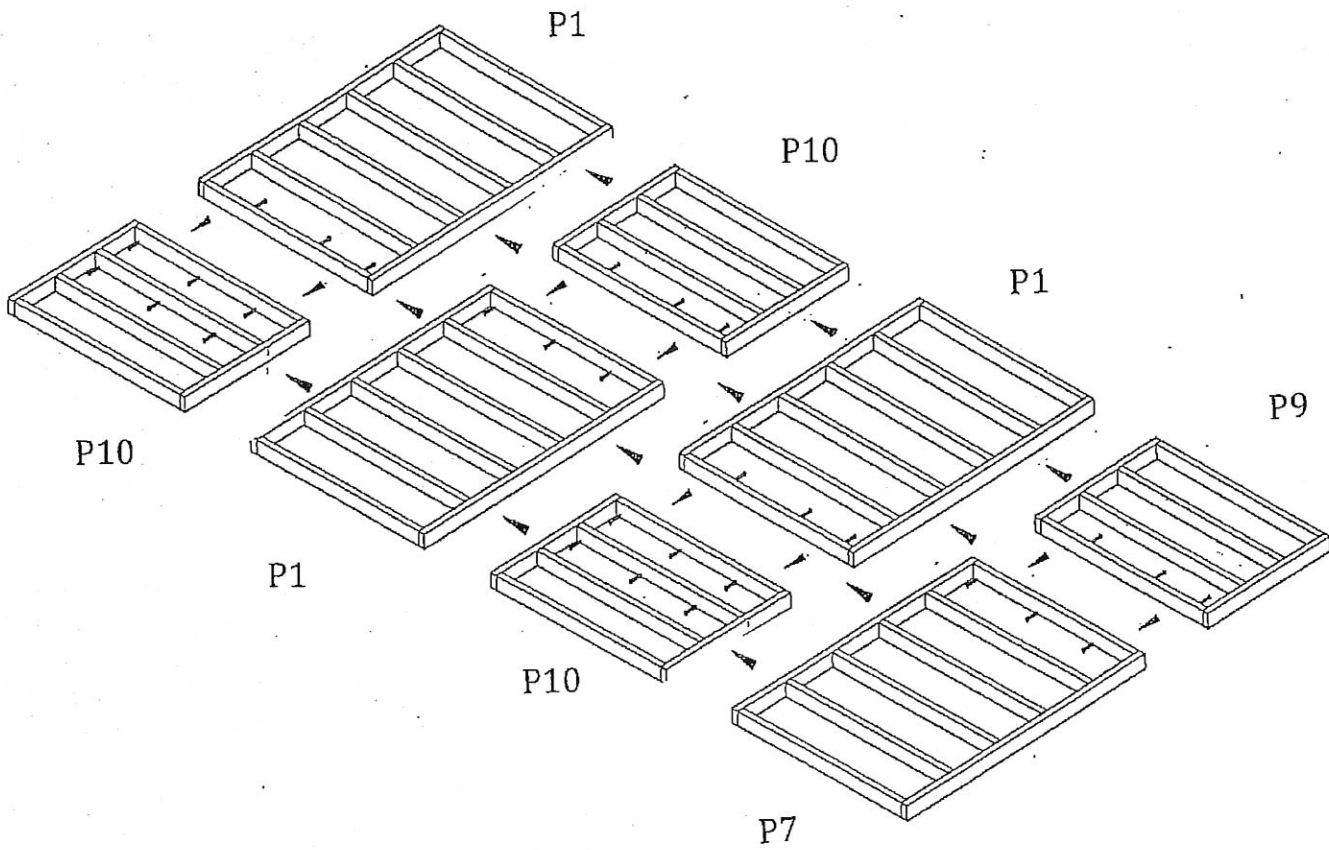


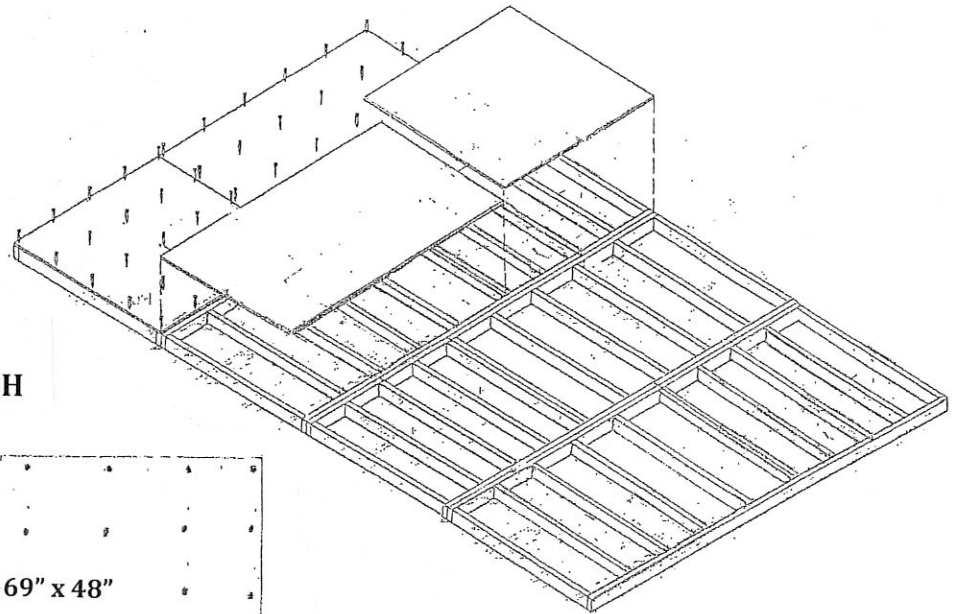
Fig F-2



The following four pages outline the installation of the plywood floor boards and the deck boards if the gable porch is included in your model.

This page shows the plywood floor being installed on the floor with no gable porch.

Lay the plywood sheet over top of the joist frame. Use a 2" screw every 12" to affix the plywood to each joist member. Please see Fig-3 for details. As an example to affix the 69" x 48" plywood sheet it will require 30 - 2" screws (6 joist members by 5 screws per row).



**ASSEMBLED FLOOR  
WITHOUT GABLE PORCH**

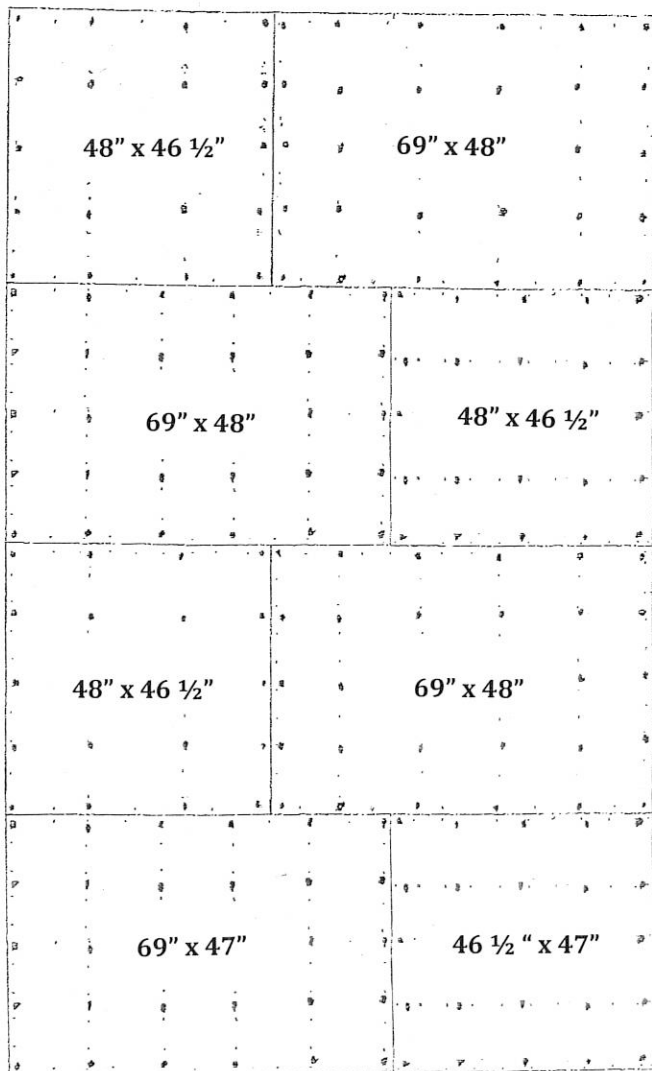


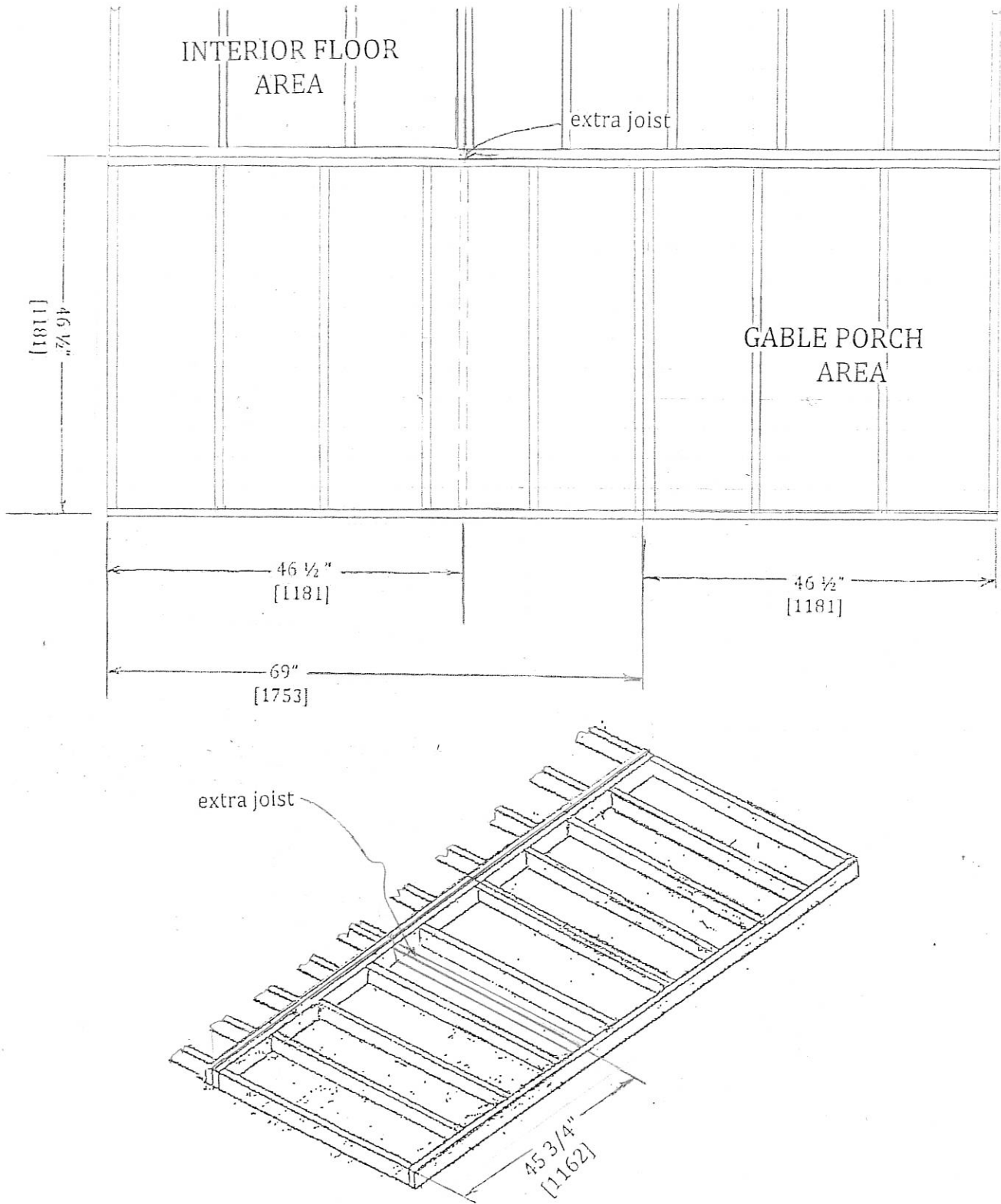
Fig F-3



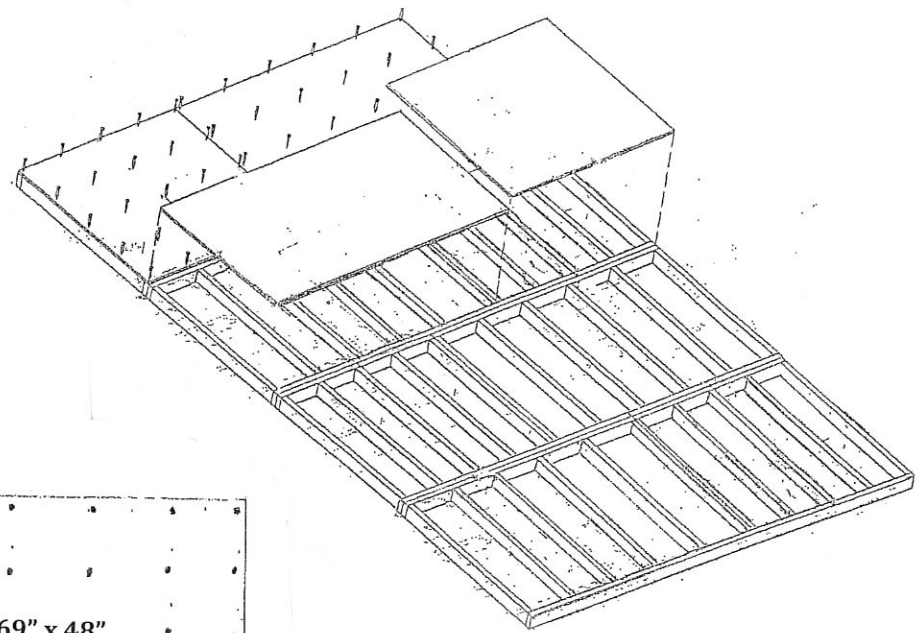
2" screw

The next three pages shows the assembly of the extra joist, plywood panels and deck boards are affixed to the joist structure when the gable porch is included.

The extra joist piece needs to be installed at this stage. Please refer to Fig-3P for details.



Lay the plywood sheet over top of the joist frame. Use a 2" screw every 12" to affix the plywood to each joist member. Please see Fig-4P for details. As an example to affix the 69" x 48" plywood sheet it will require 30 - 2" screws (6 joist members by 5 screws per row).



**ASSEMBLED FLOOR  
WITH GABLE PORCH**

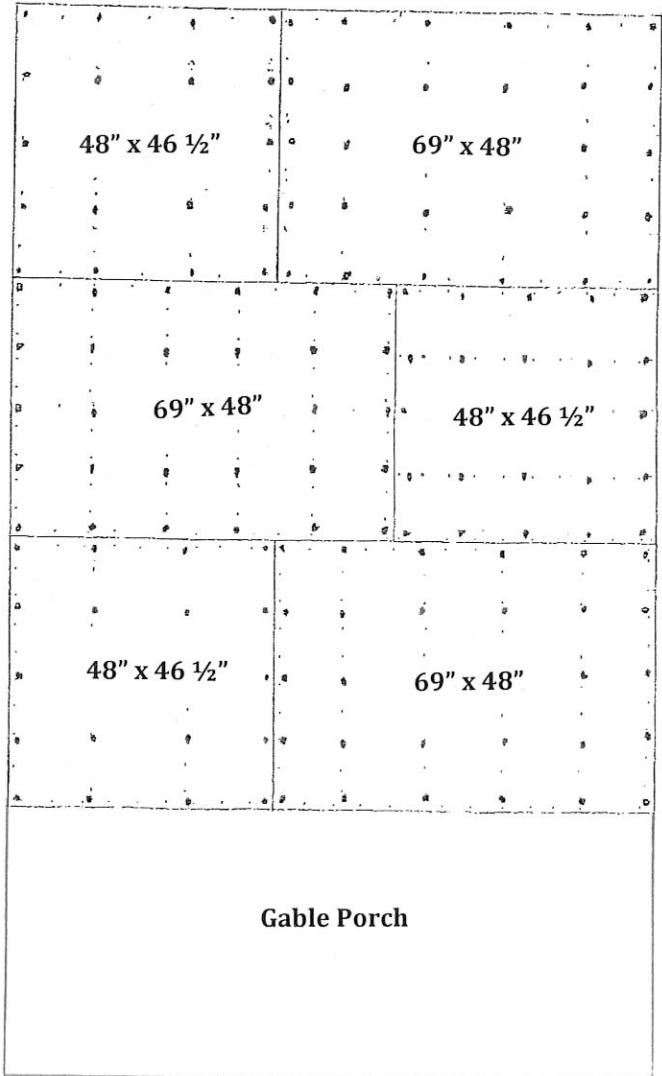
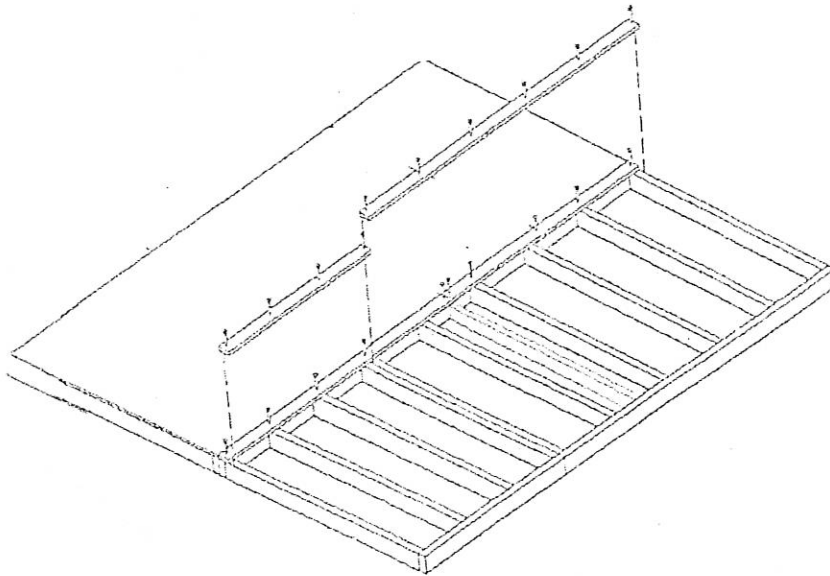


Fig-4P

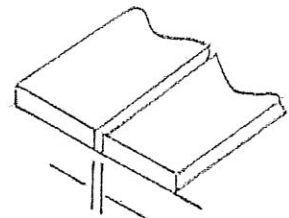


Lay the deck boards over the remaining exposed joist structure. Use 2-2" screws to affix each end of the deck boards. Then use 1-2" screw at each interior joist member. Make sure to leave a gap of about 1/16" between each board. See Fig-5P for details.

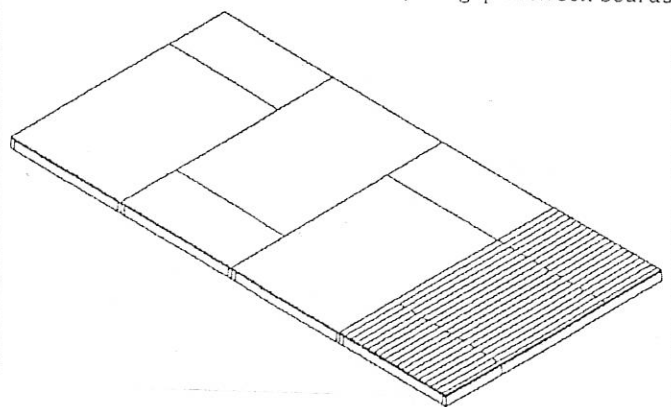
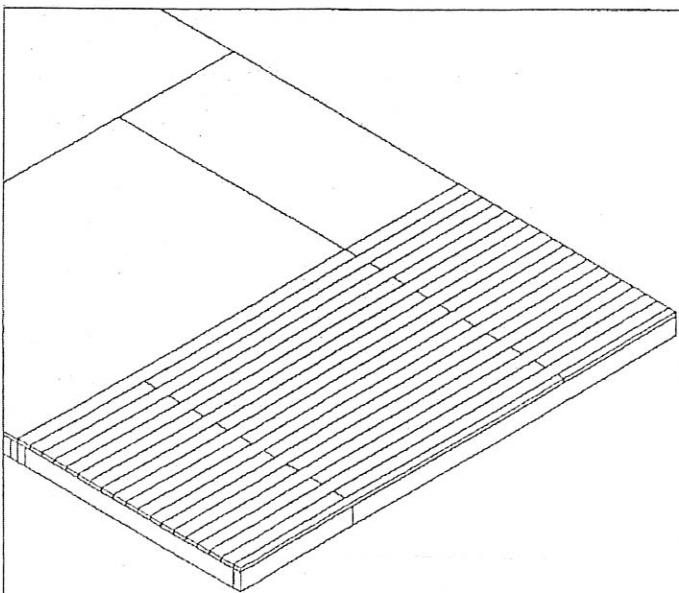


Deck Boards

Fig-5P



1/16" gap between boards



4. Once the plywood sheets have been installed then attach the 1/2" thick joist trim boards (2 pcs. Of 34 1/2" and 1 pc. Of 46 1/2") to the 115 1/2" side of the floor assembly by using 10 - 2" screws per side. See Fig F-4 for details.

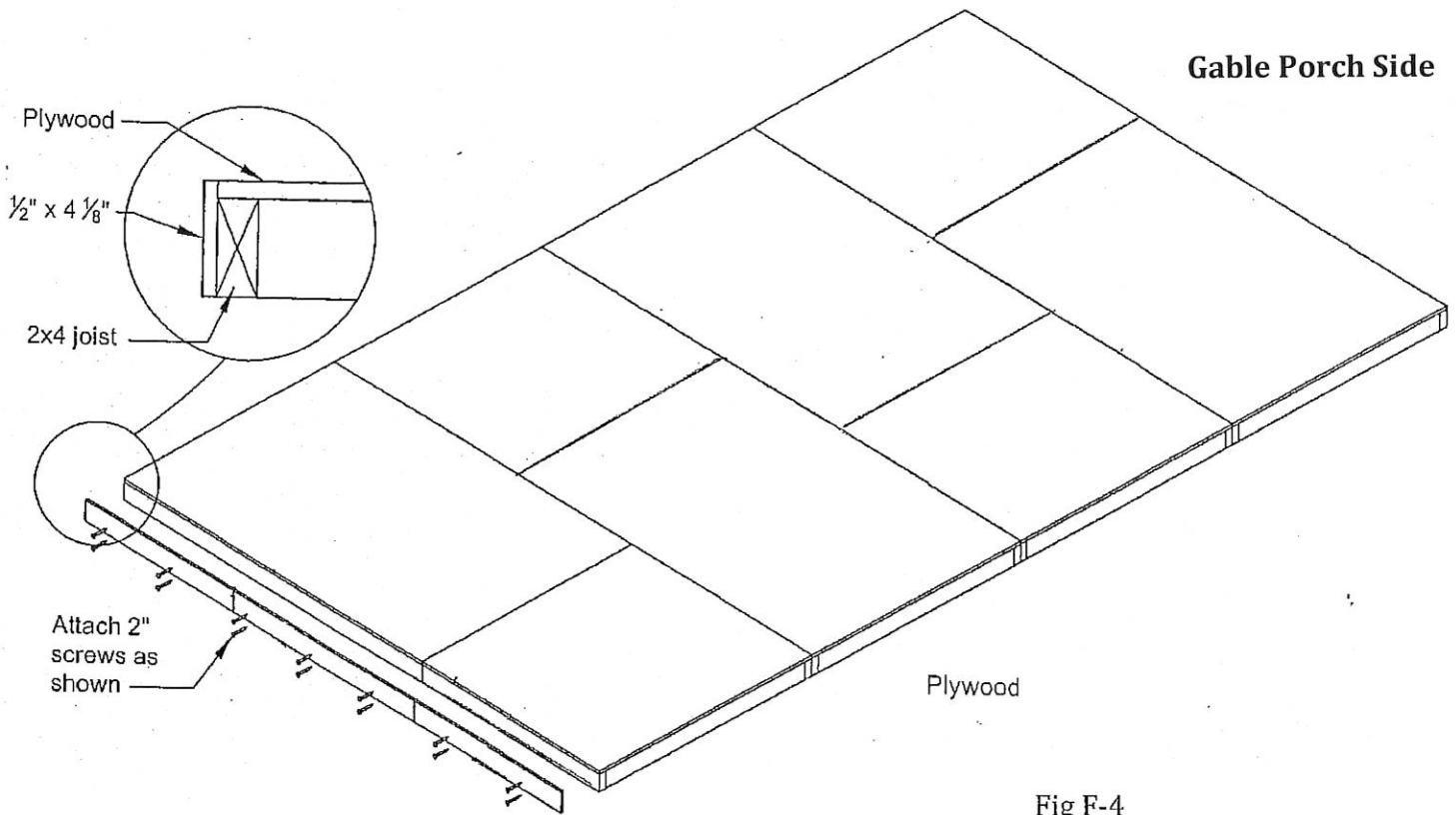


Fig F-4

